

US00D662154S

(12) **United States Design Patent**
Hara et al.

(10) **Patent No.:** **US D662,154 S**
(45) **Date of Patent:** **** Jun. 19, 2012**

(54) **TOY ROBOT**

(75) Inventors: **Noboru Hara**, Tokyo (JP); **Takamichi Murayama**, Tokyo (JP); **Tomonori Nakai**, Tokyo (JP); **Takaaki Utsunomiya**, Tokyo (JP); **Sojiro Tanaka**, Tokyo (JP)

(73) Assignee: **Bandai Co., Ltd.**, Tokyo (JP)

(**) Term: **14 Years**

(21) Appl. No.: **29/371,566**

(22) Filed: **Apr. 26, 2011**

(30) **Foreign Application Priority Data**

Nov. 26, 2010 (JP) 2010-028318

(51) **LOC (9) Cl.** **21-01**

(52) **U.S. Cl.** **D21/578; D15/199**

(58) **Field of Classification Search** D21/578–583,
D21/621, 622; 446/268–274, 279, 280, 285,
446/289–292, 294, 297–303, 353–355, 376–384;
D15/199; 318/568.11, 568.12, 568.2
See application file for complete search history.

(56) **References Cited**

U.S. PATENT DOCUMENTS

D290,484 S * 6/1987 Yoke D21/578
D305,786 S * 1/1990 Ohno D21/579

D306,618 S * 3/1990 Doi D21/578
D453,199 S * 1/2002 Sawai et al. D21/578
D534,971 S * 1/2007 Chung D21/578
D561,213 S * 2/2008 Mitchell D15/199
D561,214 S * 2/2008 Mitchell D15/199
D561,215 S * 2/2008 Mitchell D15/199
D561,795 S * 2/2008 Mitchell D15/199
D593,164 S * 5/2009 Sonoda D21/578
D622,786 S * 8/2010 Lee D21/578
2005/0162117 A1 * 7/2005 Iribe et al. 318/568.12

* cited by examiner

Primary Examiner — Zenia Bennett

(74) *Attorney, Agent, or Firm* — Rabin & Berdo, P.C.

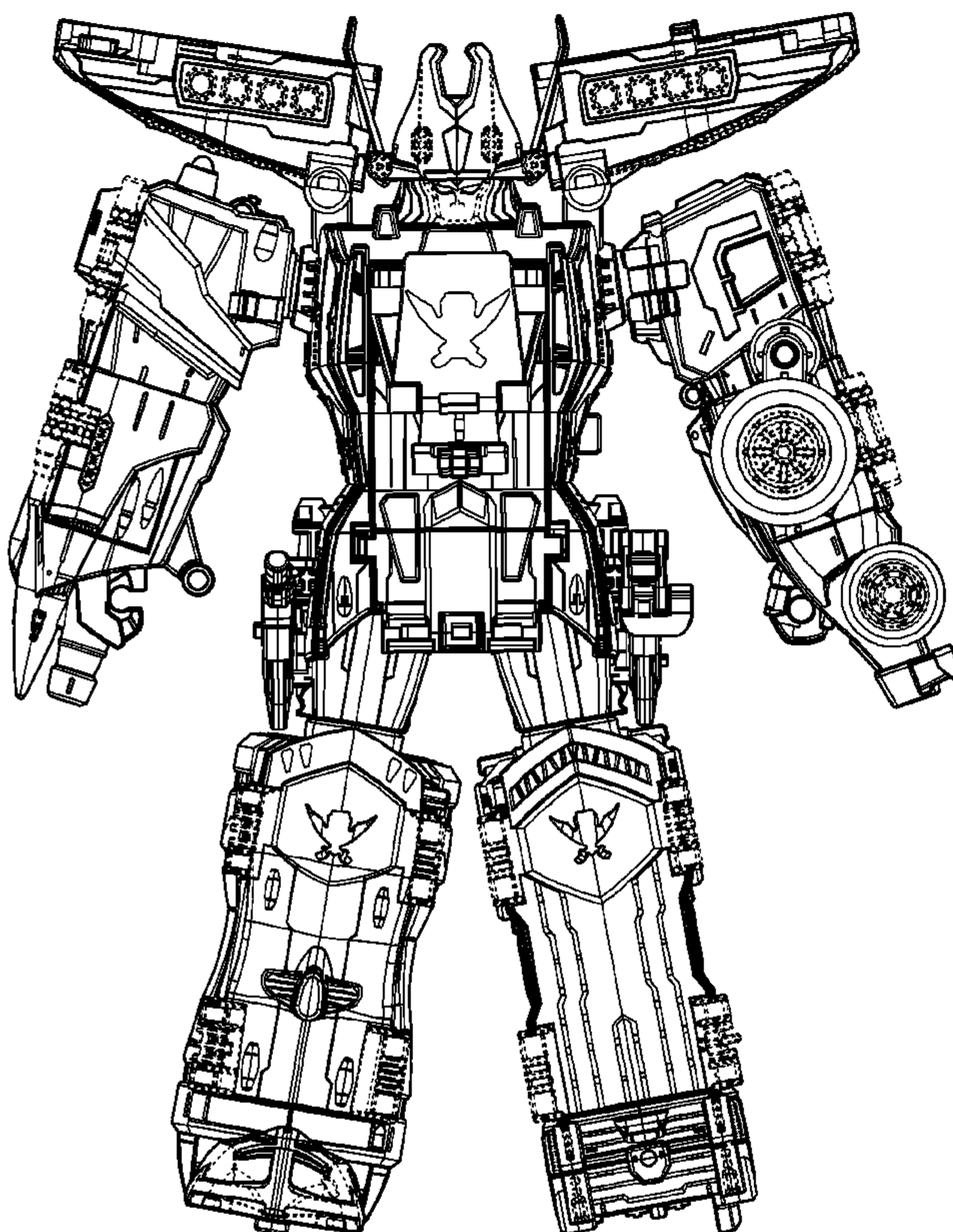
(57) **CLAIM**

The ornamental design for a toy robot, as shown and described.

DESCRIPTION

FIG. 1 is a front view of the toy robot;
FIG. 2 is a rear view thereof;
FIG. 3 is a right side view thereof;
FIG. 4 is a left side view thereof;
FIG. 5 is a top view thereof;
FIG. 6 is a bottom view thereof;
FIG. 7 is a perspective view thereof; and,
FIG. 8 is another perspective view thereof.
The broken lines illustrated in the drawings form no part of the claimed invention.

1 Claim, 8 Drawing Sheets



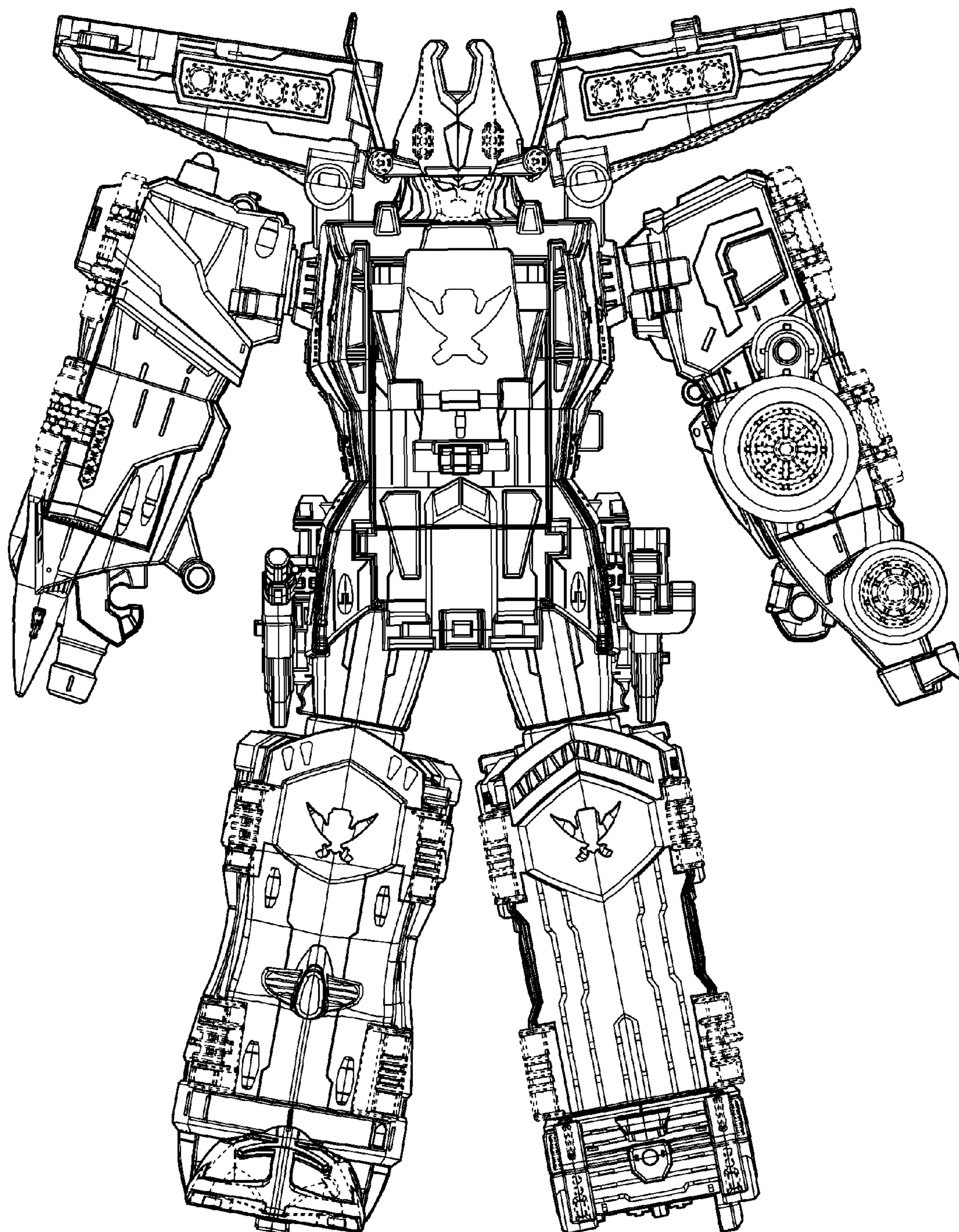


FIG. 1

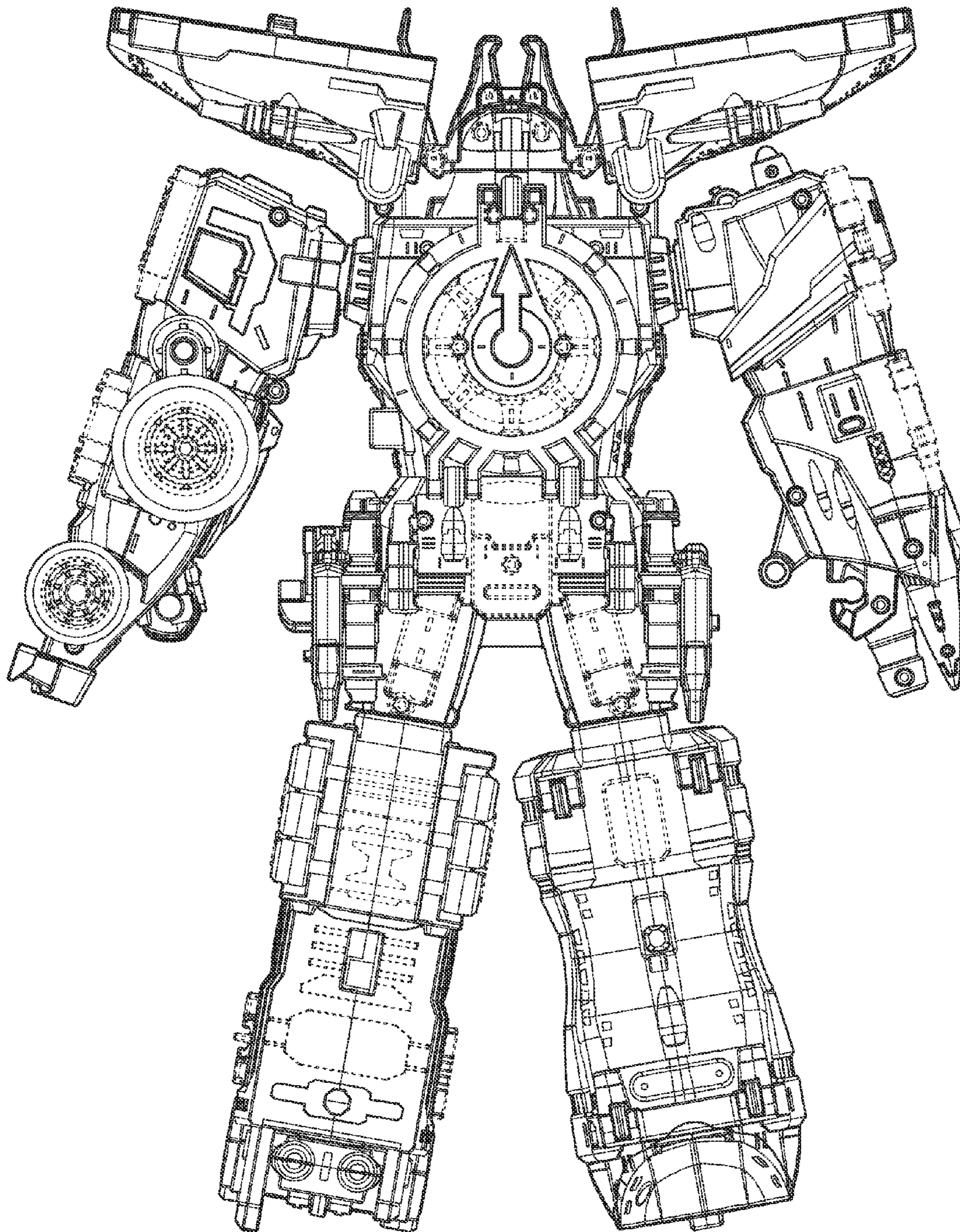


FIG. 2

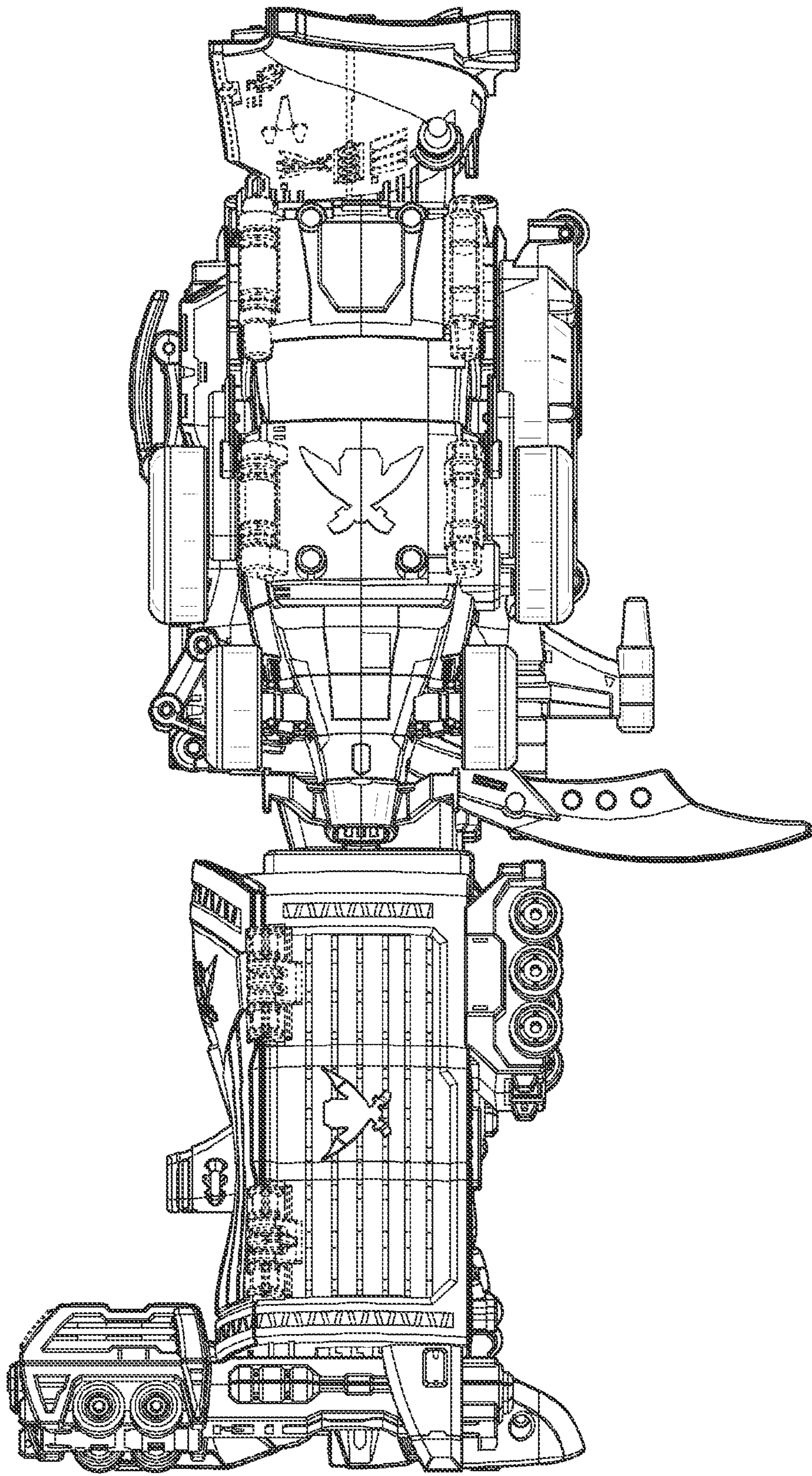


FIG. 3

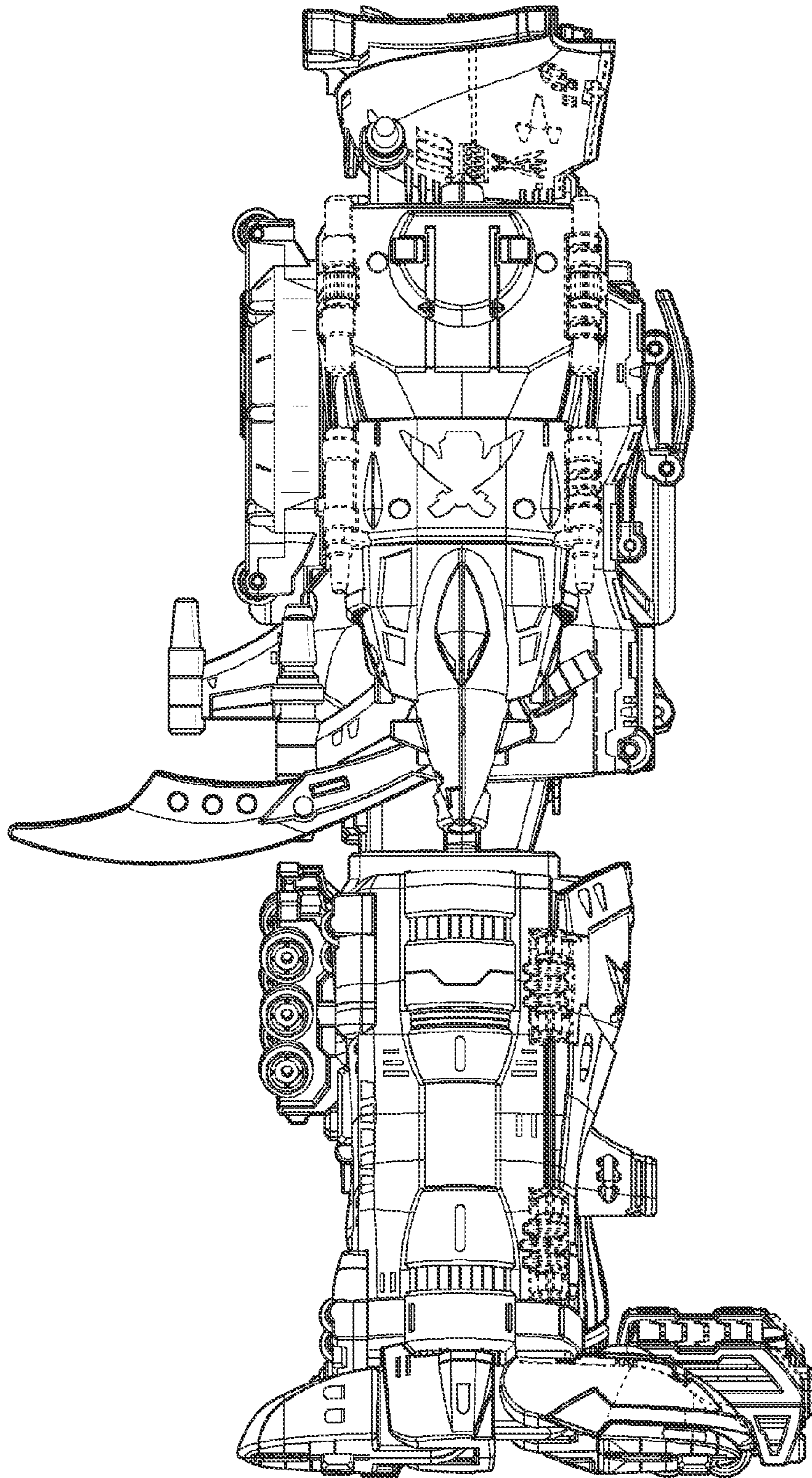


FIG. 4

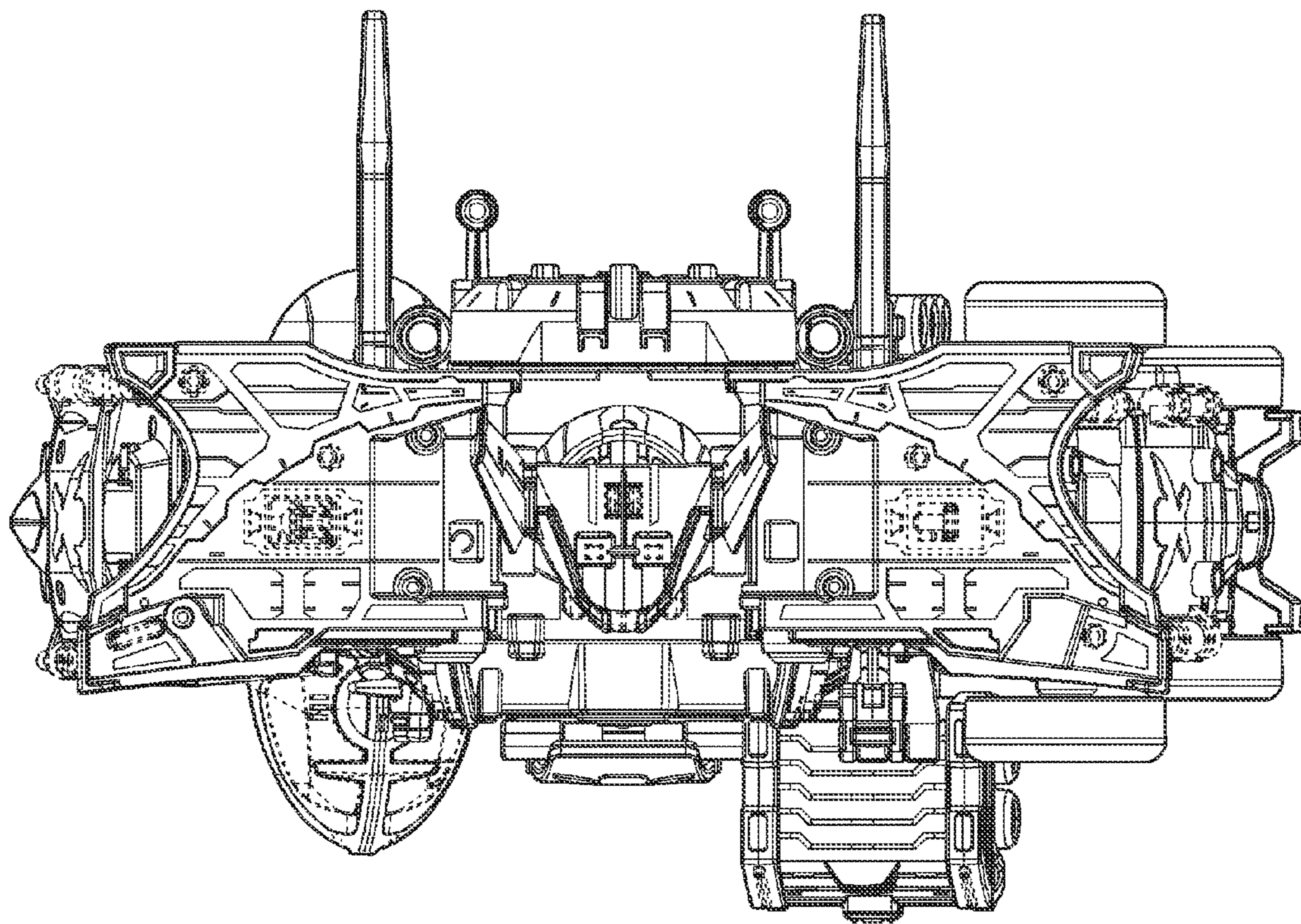


FIG. 5

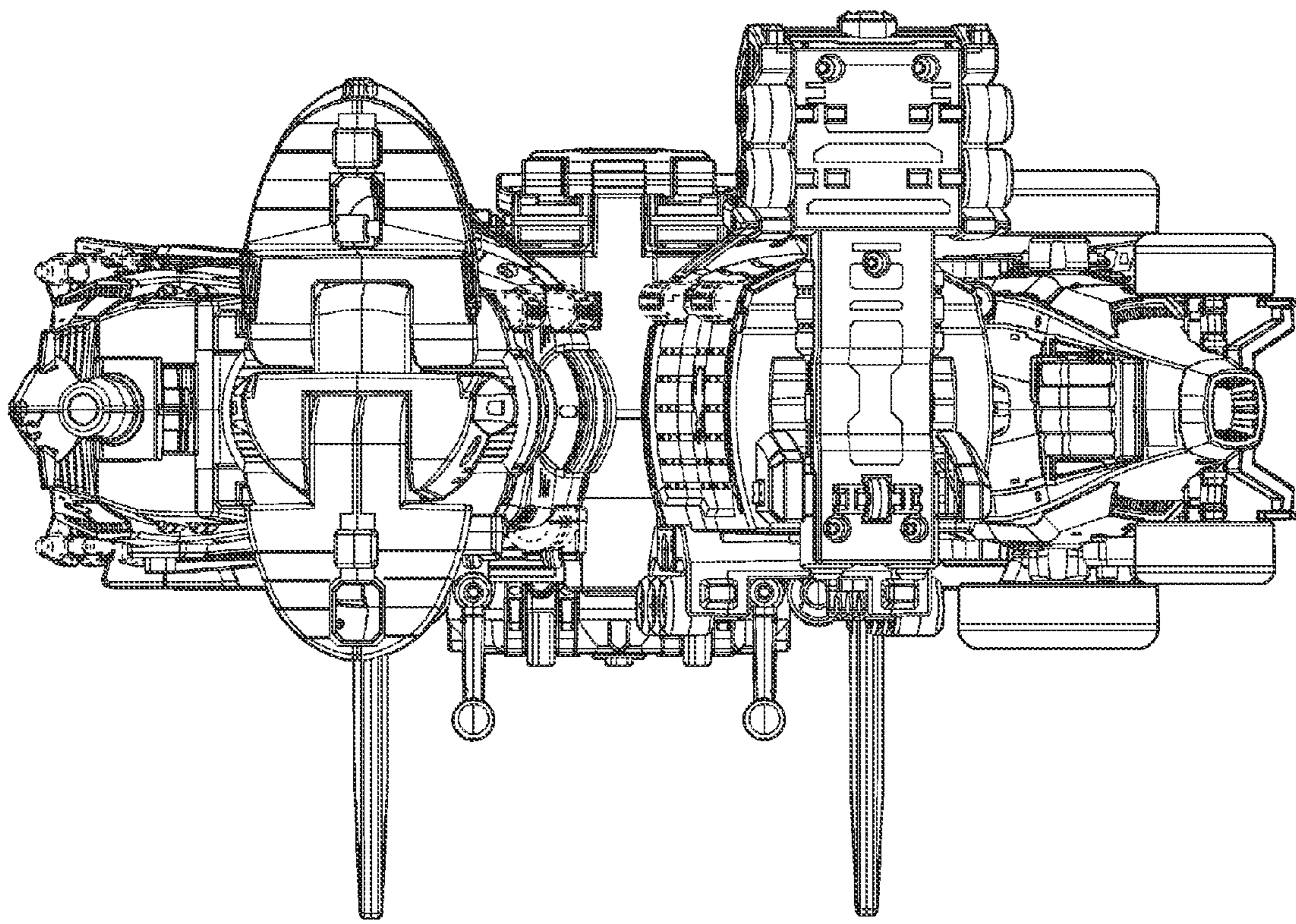


FIG. 6

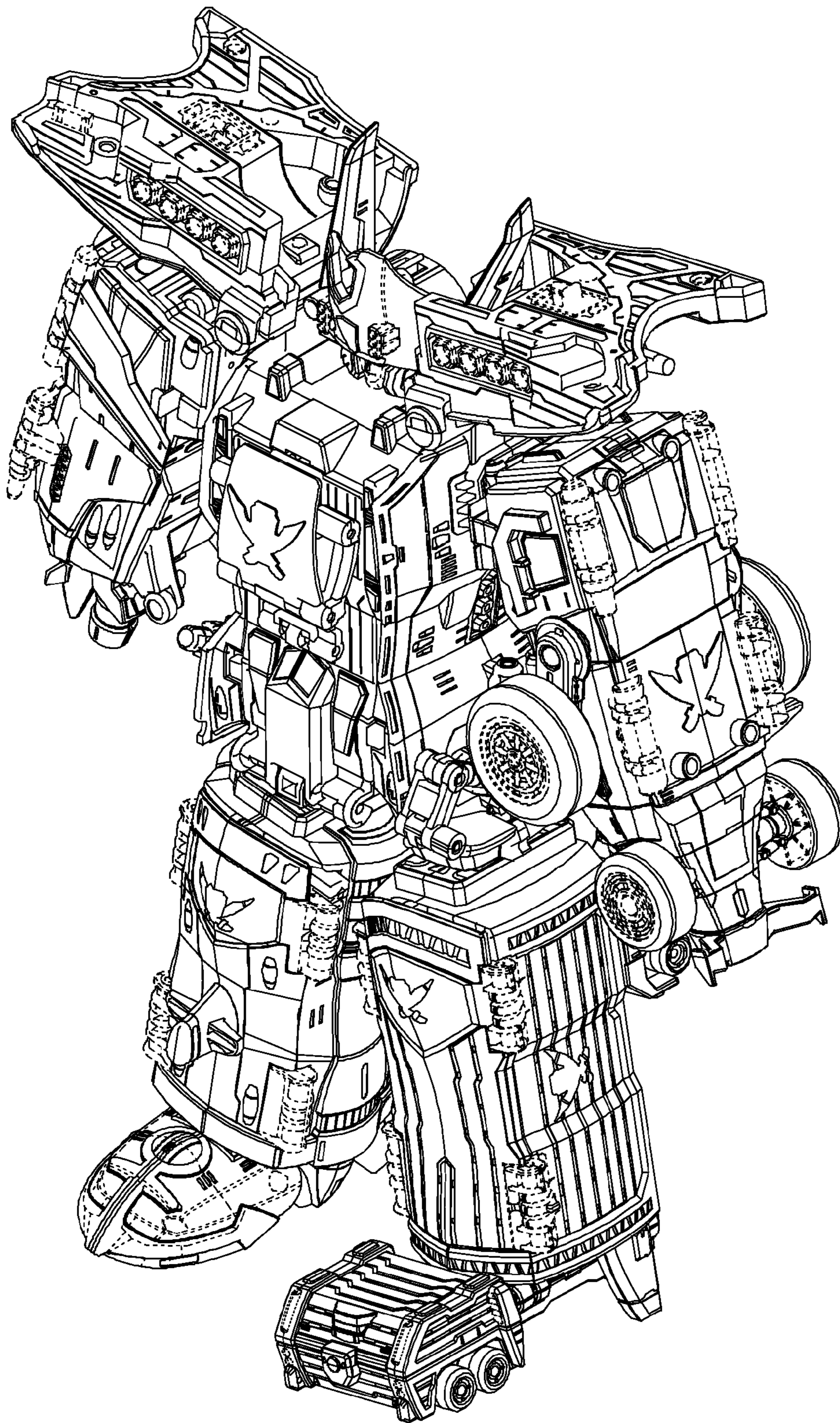


FIG. 7

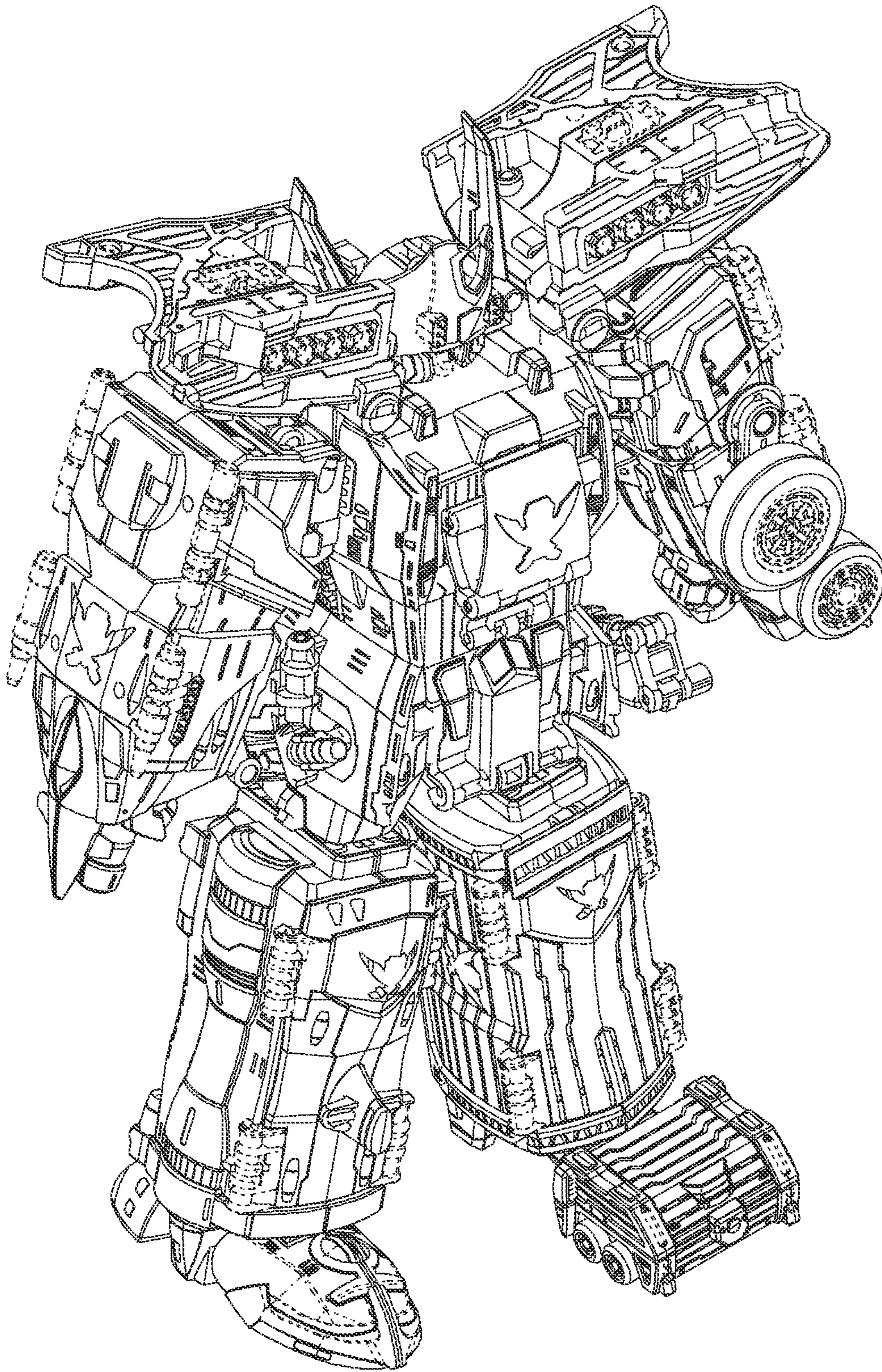


FIG. 8