



US00D662153S

(12) **United States Design Patent**
Dakan et al.

(10) **Patent No.:** **US D662,153 S**
(45) **Date of Patent:** **** Jun. 19, 2012**

(54) **TOY GUN**

(75) Inventors: **Kevin C. Dakan**, Warwick, RI (US);
Raymond Aaron Mead, Pawtucket, RI
(US); **Brian Jablonski**, Providence, RI
(US)

(73) Assignee: **Hasbro, Inc.**, Pawtucket, RI (US)

(**) Term: **14 Years**

(21) Appl. No.: **29/389,233**

(22) Filed: **Apr. 7, 2011**

Related U.S. Application Data

(63) Continuation-in-part of application No. 12/853,463,
filed on Aug. 10, 2010.

(51) **LOC (9) Cl.** **21-01**

(52) **U.S. Cl.** **D21/573**

(58) **Field of Classification Search** D21/333,
D21/401, 461, 514, 567, 568, 570-575; D22/100,
D22/101, 103, 104, 105, 107, 108-110; D14/418;
446/23, 182, 192, 401, 403, 405-407, 473,
446/475; 124/16, 26, 27, 28, 29, 54, 66,
124/73-77, 82; 222/78, 79; 42/54, 57, 58,
42/71.01, 71.02, 71.03, 72, 73, 74, 75.03,
42/105, 124

See application file for complete search history.

(56) **References Cited**

U.S. PATENT DOCUMENTS

409,017 A 8/1889 Comstock
522,464 A 7/1894 Fox
532,090 A 1/1895 Park
961,511 A 6/1910 Marble
D159,040 S * 6/1950 Bicos D22/100
3,465,744 A 9/1969 Nielsen

4,774,929 A 10/1988 Milliman
5,529,050 A 6/1996 D'Andrade
D385,586 S * 10/1997 Hanatani et al. D14/418
D429,779 S * 8/2000 Yu D21/572
6,598,329 B1 7/2003 Alexander
D515,150 S * 2/2006 Orr D21/573
D517,152 S * 3/2006 Murello et al. D22/103
D532,836 S * 11/2006 Shih D21/573
D536,043 S * 1/2007 Tippmann et al. D21/573
7,287,526 B1 10/2007 Bligh et al.
7,418,797 B1 9/2008 Crose
7,437,847 B1 10/2008 Mabry
7,552,557 B1 6/2009 Mabry
D633,977 S * 3/2011 Murello et al. D22/103
2006/0242880 A1 11/2006 Griffin

OTHER PUBLICATIONS

Double Shot product and packaging, Copyright 2006 by Buzz Bee
Toys (2006).

* cited by examiner

Primary Examiner — Cynthia M Chin

(74) *Attorney, Agent, or Firm* — Perry Hoffman

(57) **CLAIM**

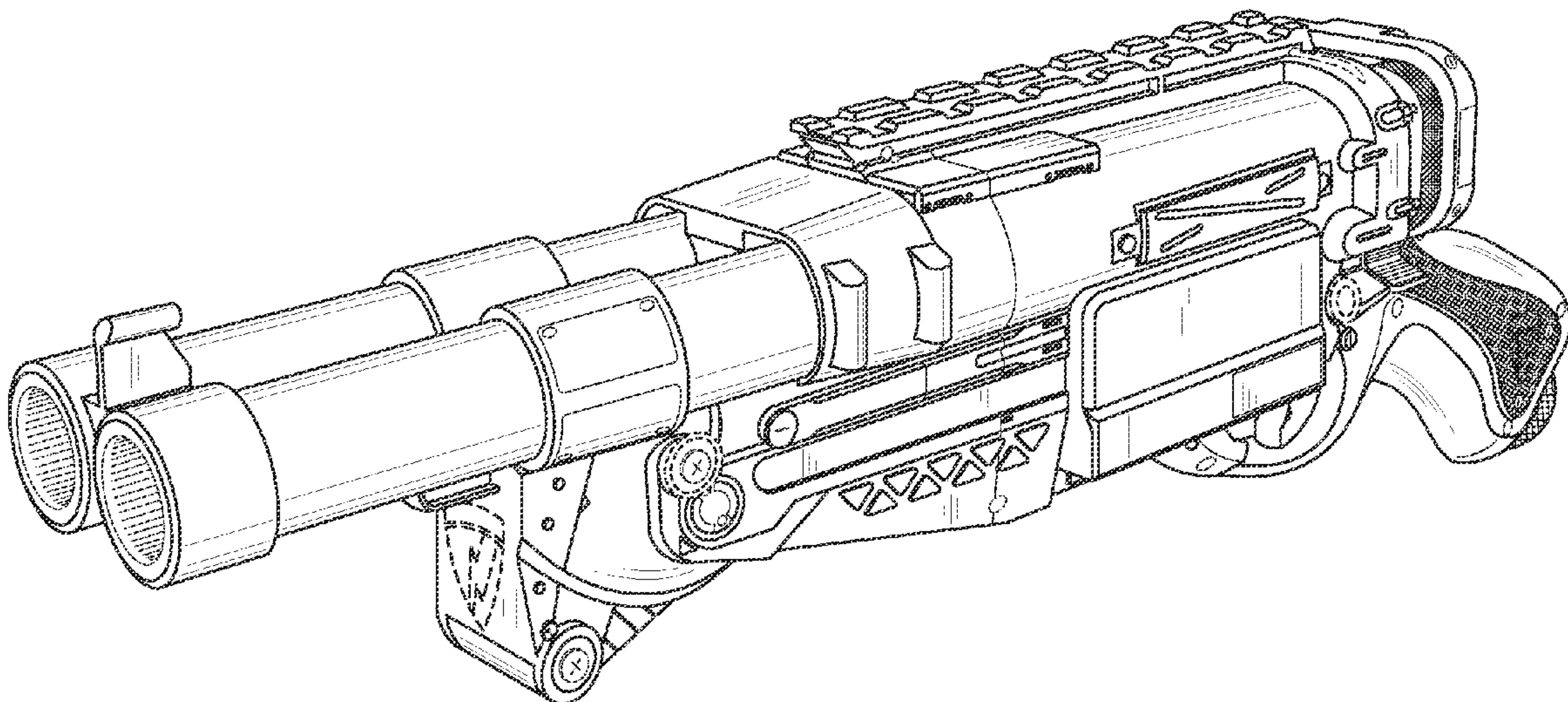
The ornamental design for a toy gun, as shown and described.

DESCRIPTION

FIG. 1 is a perspective view of the design of the toy gun;
FIG. 2 is a top plan view thereof;
FIG. 3 is a right side elevational view thereof;
FIG. 4 is a left side elevational view thereof;
FIG. 5 is a bottom view thereof;
FIG. 6 is a front view thereof; and,
FIG. 7 is a rear view thereof.

The broken lines shown are included for the purpose of illus-
trating the unclaimed portions of the article and form no part
of the claimed design.

1 Claim, 4 Drawing Sheets



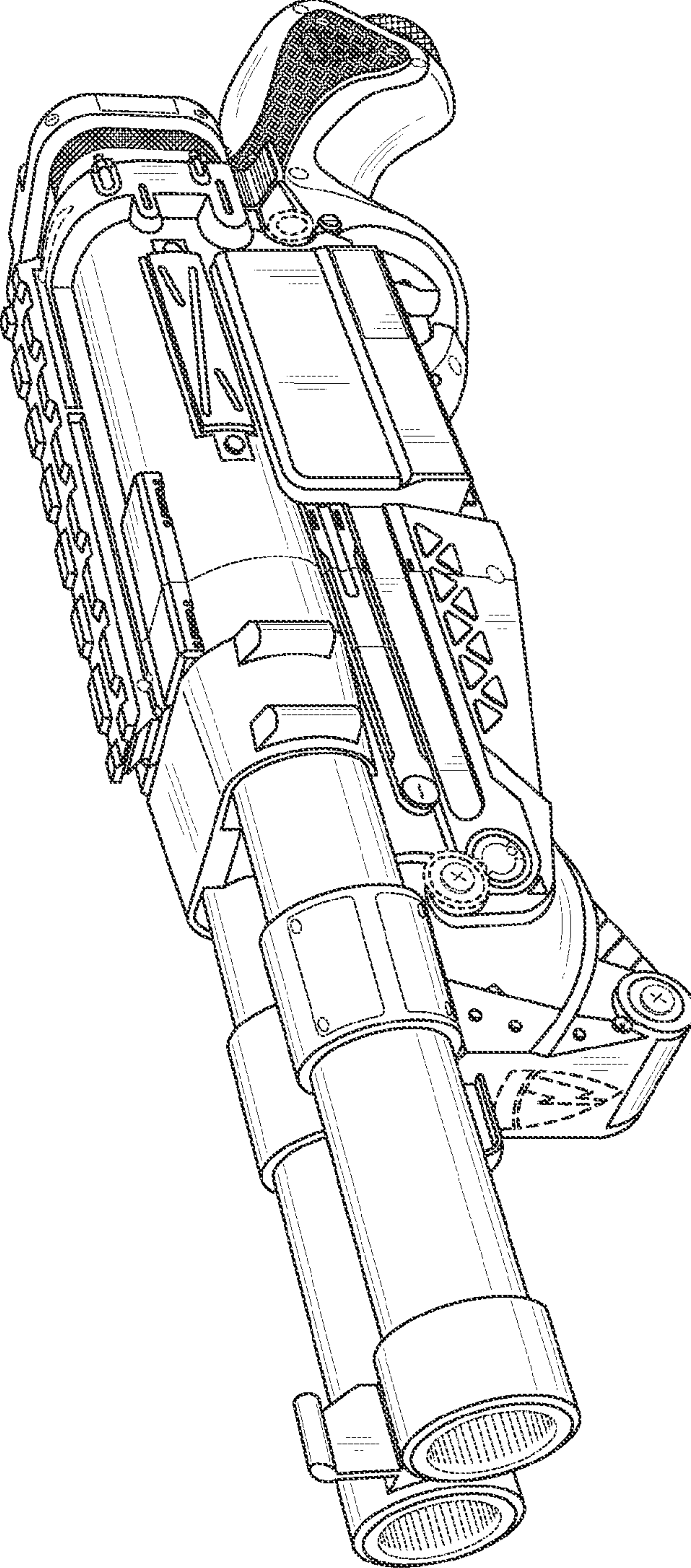


FIG. 1

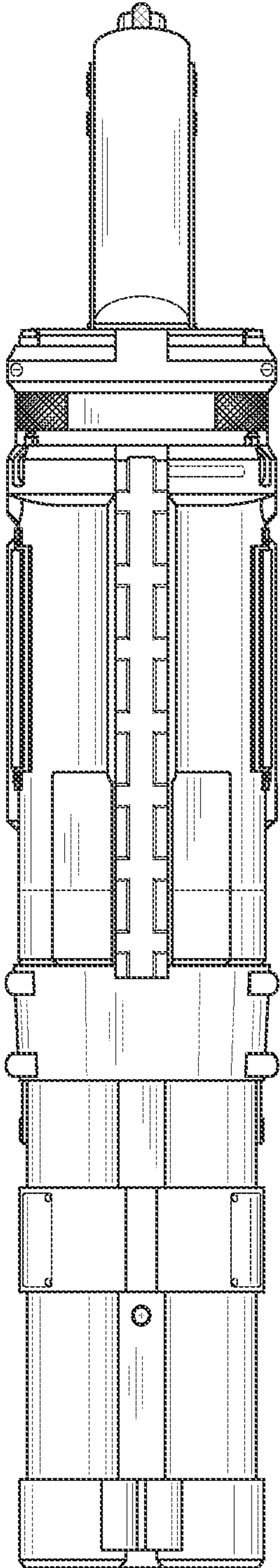


FIG. 2

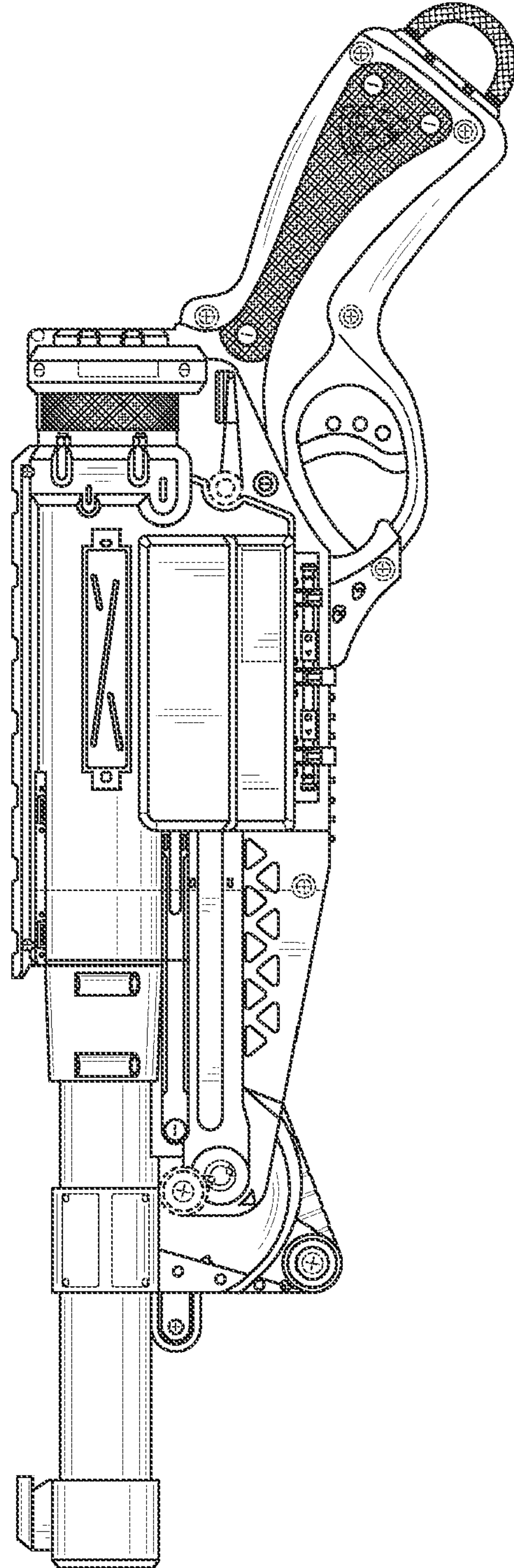


FIG. 3

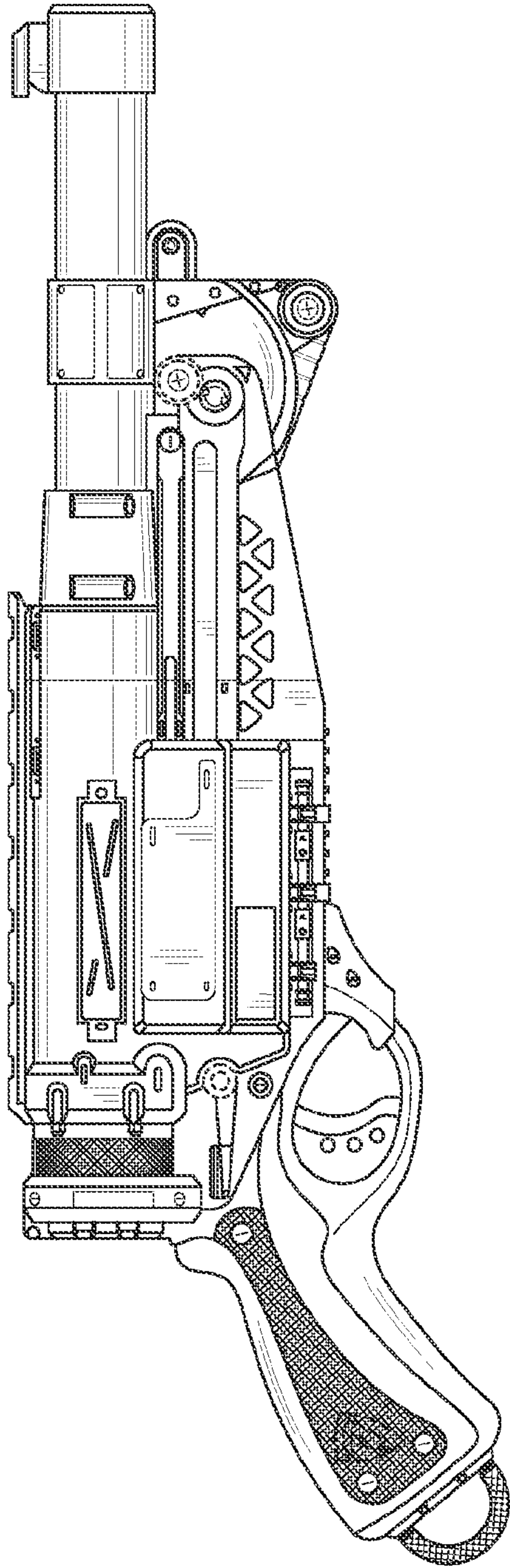


FIG. 4

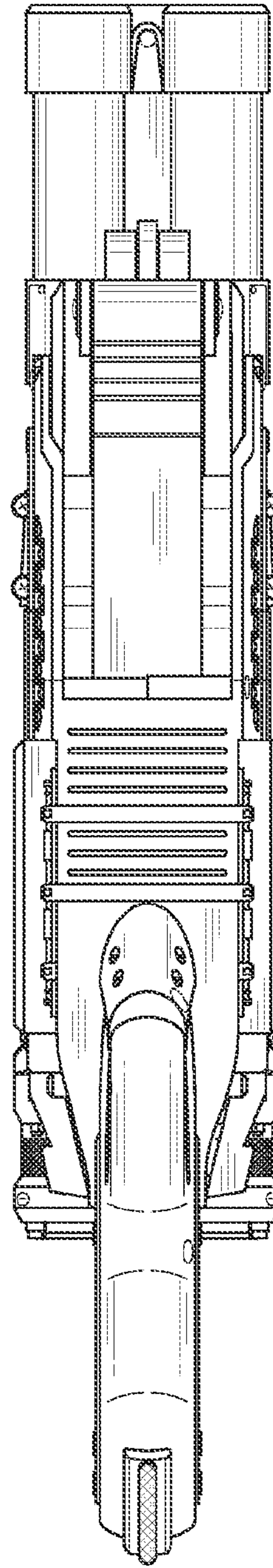


FIG. 5

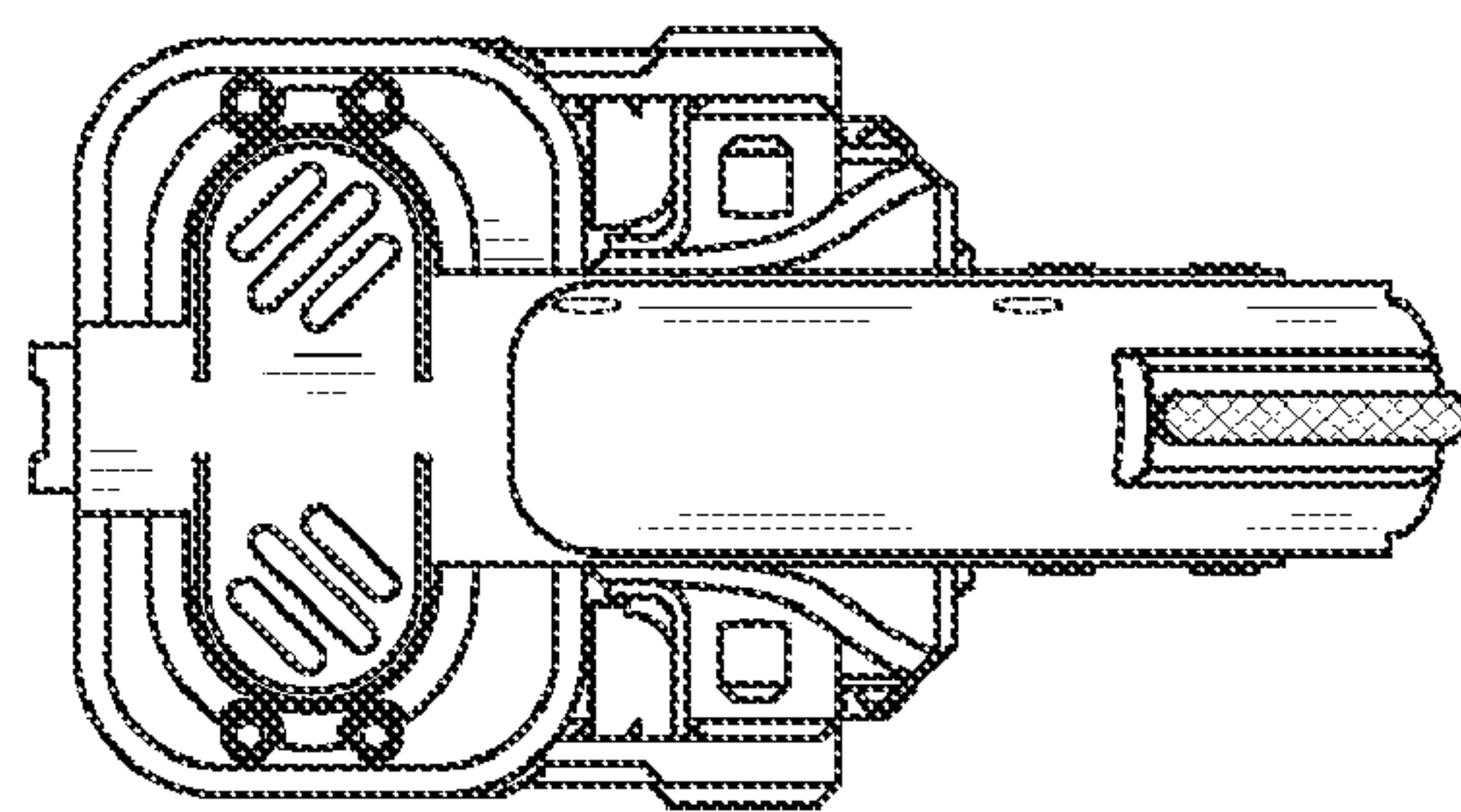


FIG. 7

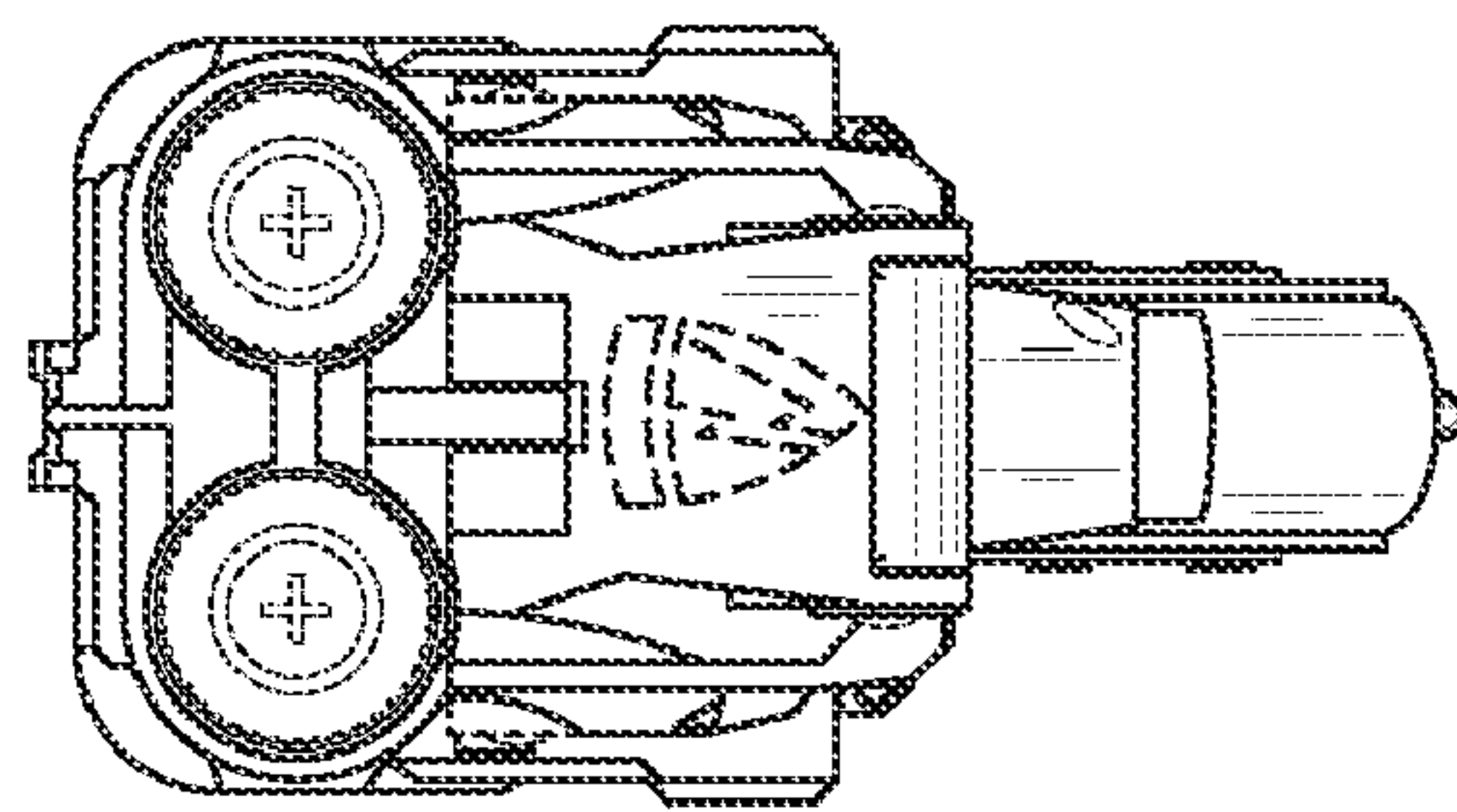


FIG. 6