



US00D662152S

(12) **United States Design Patent**
Markowitz et al.

(10) **Patent No.:** **US D662,152 S**
(45) **Date of Patent:** **** Jun. 19, 2012**

(54) **TOY RIFLE**

(75) Inventors: **Lipa Markowitz**, Brooklyn, NY (US);
Shing-Wai David Wu, Hong Kong (CN)

(73) Assignee: **CTA Digital, Inc.**, Brooklyn, NY (US)

(**) Term: **14 Years**

(21) Appl. No.: **29/383,695**

(22) Filed: **Jan. 20, 2011**

(51) **LOC (9) Cl.** **21-01**

(52) **U.S. Cl.** **D21/573**

(58) **Field of Classification Search** D21/333,
D21/401, 461, 514, 567, 568, 570-575; D22/100,
D22/101, 103, 104, 105, 107, 108-110; D14/418;
446/23, 182, 192, 401, 403, 405-407, 473,
446/475; 124/16, 26, 27, 28, 29, 54, 66,
124/73-77, 82; 222/78, 79; 42/54, 57, 58,
42/71.01, 71.02, 71.03, 72, 73, 74, 75.03,
42/105, 124

See application file for complete search history.

(56) **References Cited**

U.S. PATENT DOCUMENTS

D423,610 S * 4/2000 Lebensfeld et al. D21/573
D551,312 S * 9/2007 Al-Mulla D22/103

D557,754 S * 12/2007 Halmone et al. D21/573
D606,614 S * 12/2009 Fitzpatrick et al. D22/103
D641,825 S * 7/2011 Gridelet D22/103
D642,228 S * 7/2011 Torre et al. D21/573

* cited by examiner

Primary Examiner — Cynthia M Chin

(74) *Attorney, Agent, or Firm* — Levisohn Berger LLP

(57) **CLAIM**

The ornamental design for a toy rifle, as shown and described.

DESCRIPTION

FIG. 1 is a side perspective view of the toy rifle showing the present design.

FIG. 2 is a right side view thereof.

FIG. 3 is a left side thereof.

FIG. 4 is a top plan view thereof.

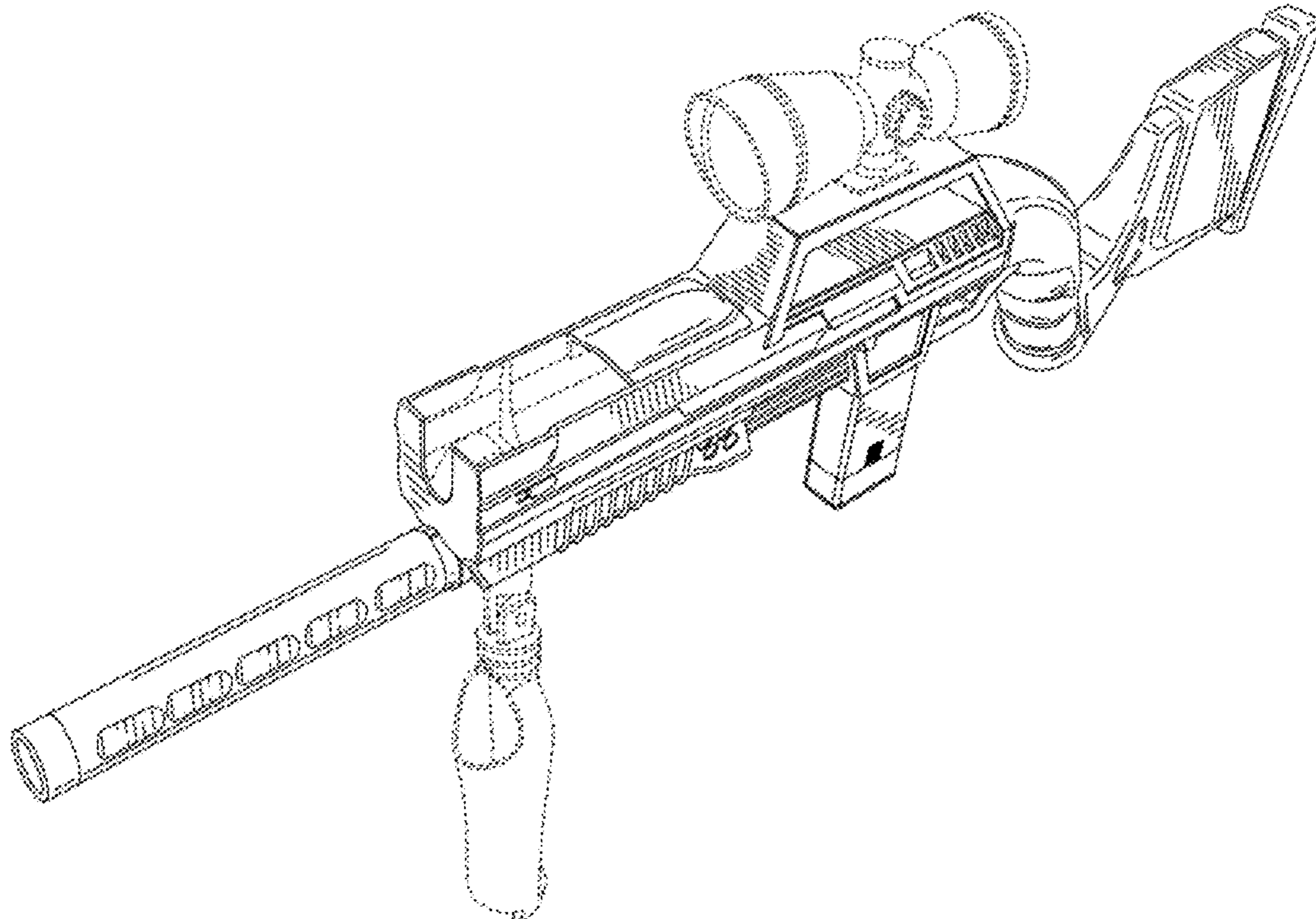
FIG. 5 is a bottom plan view thereof.

FIG. 6 is a front view thereof; and,

FIG. 7 is a rear view thereof.

The broken lines shown are included for the purpose of illustrating the unclaimed portions of the article and form no part of the claimed design.

1 Claim, 5 Drawing Sheets



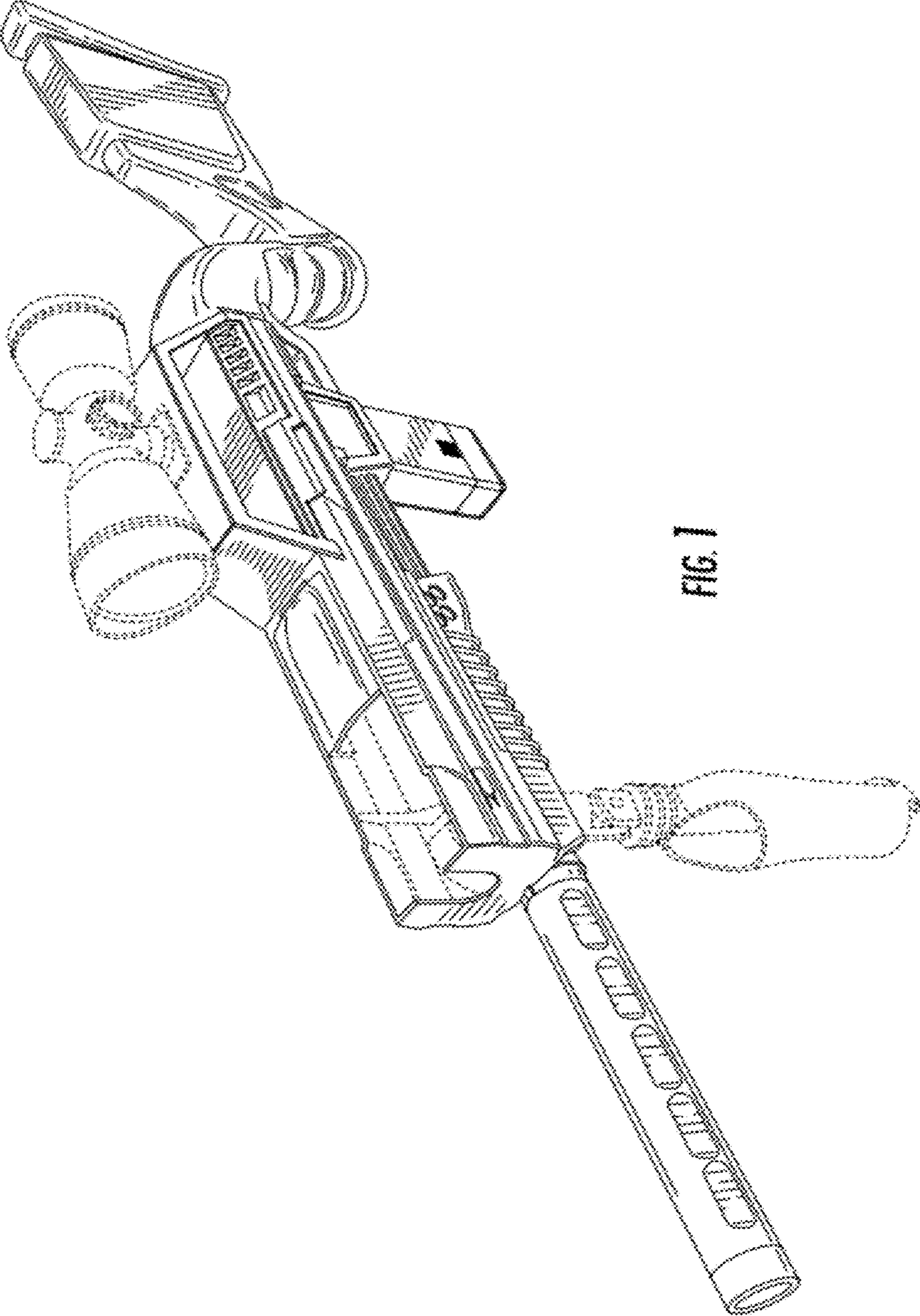


FIG. 1

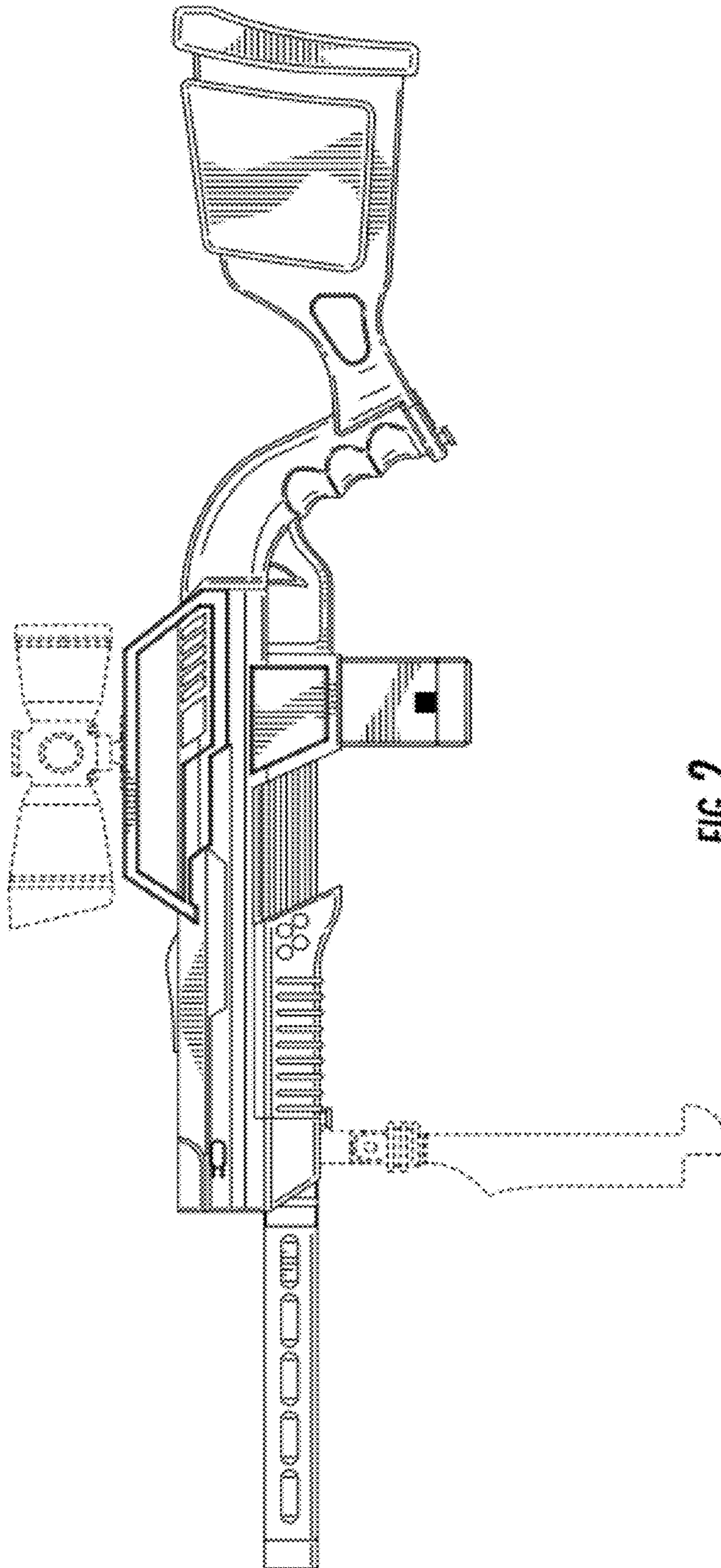


FIG. 2

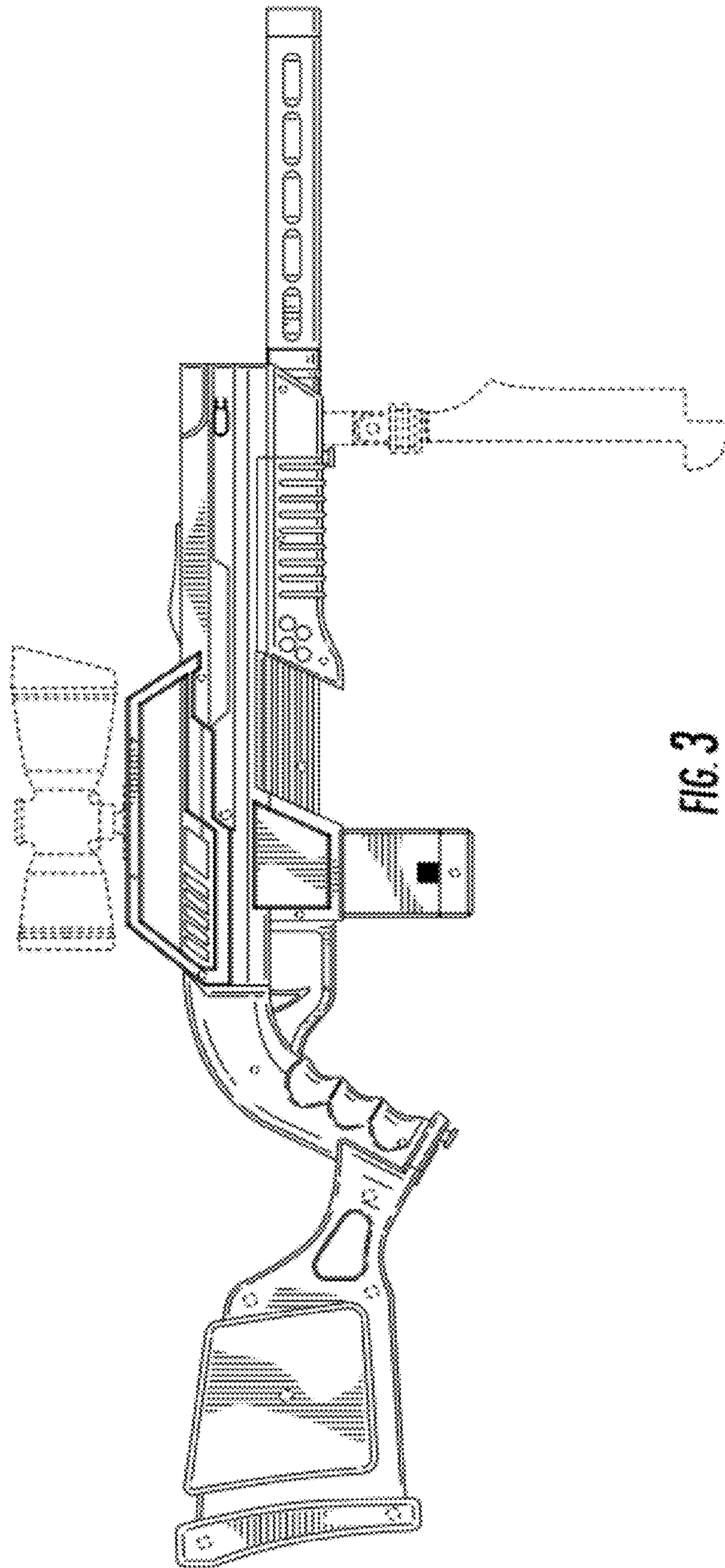


FIG. 3

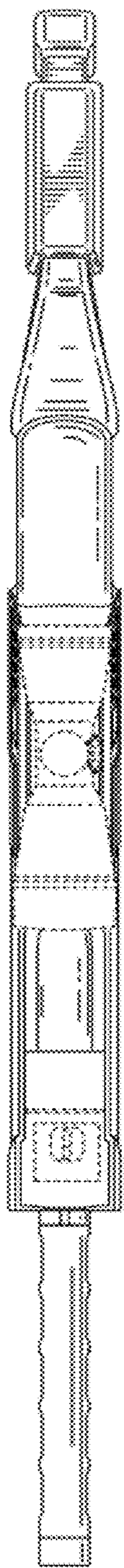


FIG. 4

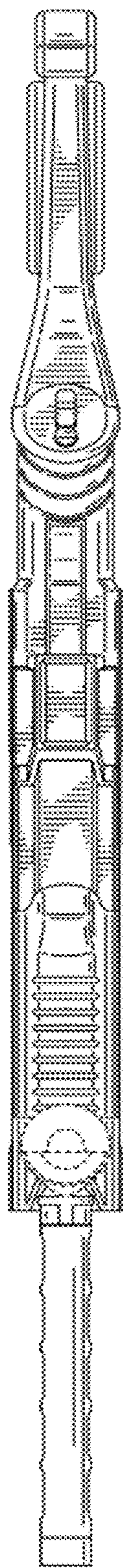


FIG. 5

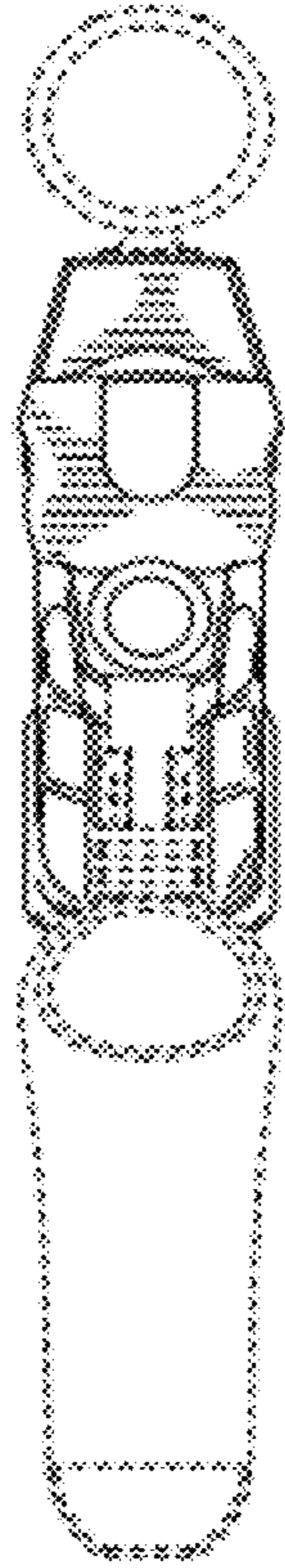


FIG. 6

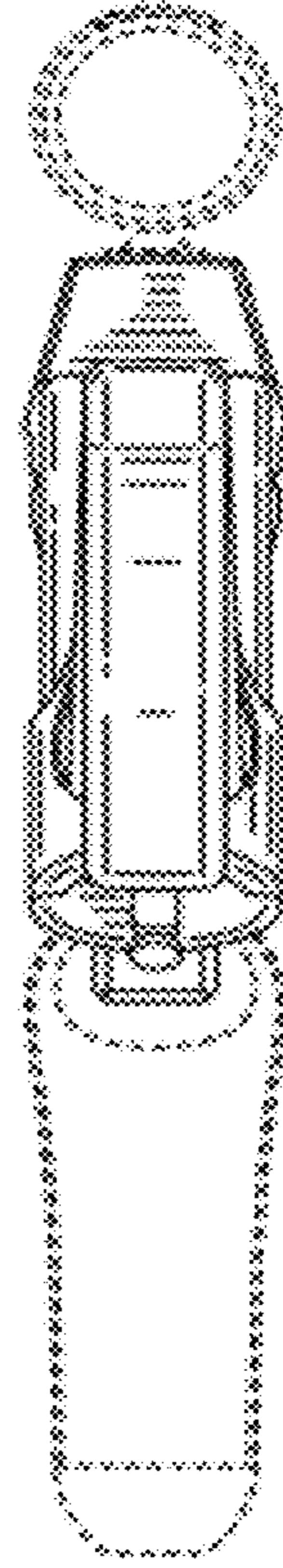


FIG. 7