



US00D662150S

(12) **United States Design Patent**  
**Sanges**

(10) **Patent No.:** **US D662,150 S**  
(45) **Date of Patent:** **\*\* Jun. 19, 2012**

- (54) **INFLATABLE MAGIC WAND TOY**
- (76) Inventor: **Bruno Sanges**, Le Kremlin Bicetre (FR)
- (\*\*) Term: **14 Years**
- (21) Appl. No.: **29/343,495**
- (22) Filed: **Sep. 14, 2009**
- (51) **LOC (9) Cl.** ..... **21-01**
- (52) **U.S. Cl.** ..... **D21/398; D21/440**
- (58) **Field of Classification Search** ..... D21/385,  
D21/386, 387, 398, 405, 406, 436, 437, 439,  
D21/440, 442, 453, 455, 465-468, 473, 486,  
D21/567, 568, 576, 597, 623, 657, 658, 659,  
D21/662, 698, 707, 712, 722, 725, 729, 731,  
D21/760, 769, 771, 800, 801, 803-813; D3/318,  
D3/322, 327; D6/595-601, 604; D8/395;  
D9/695-699, 702, 707, 710, 434, 456, 499;  
D11/200, 3-5; D2/860, 500, 502, 877, 881,  
D2/891, 894, 600, 602, 605, 609; D15/79,  
D15/81, 89, 90; D17/22, 99; D20/10, 19,  
D20/41, 42, 99; D24/189-194, 206, 207;  
D28/10, 35, 37, 39, 41; D30/160; D10/109.1,  
D10/113.4, 114.1, 114.9; 446/153, 220-227,  
446/267, 400, 401, 418, 419, 421, 473, 486,  
446/490, 491; 40/586; 473/457, 569; 463/47.2,  
463/47.3, 47.4; 472/51, 56, 133, 134; 116/210,  
116/DIG. 8

See application file for complete search history.

(56) **References Cited**

**U.S. PATENT DOCUMENTS**

- 2,230,138 A \* 1/1941 Ewart ..... 446/220
- D183,521 S \* 9/1958 Ibsen ..... D21/805

- 4,722,532 A \* 2/1988 Harris ..... 473/590
- 4,873,736 A \* 10/1989 Sapp et al. .... 5/636
- D396,496 S \* 7/1998 Poindexter ..... D21/436
- D417,526 S \* 12/1999 Yu ..... D28/39
- 6,010,435 A \* 1/2000 Tanabe ..... 482/83
- D430,230 S \* 8/2000 Hwang ..... D21/440
- 6,626,728 B2 \* 9/2003 Holt ..... 446/219
- D528,605 S \* 9/2006 Lee ..... D20/10
- D539,855 S \* 4/2007 Ban ..... D21/386
- 7,476,141 B2 \* 1/2009 Hom ..... 446/220
- D610,467 S \* 2/2010 Kozarsky ..... D9/707
- D623,535 S \* 9/2010 Nilsson et al. .... D9/707
- 2002/0086748 A1 \* 7/2002 Tymstra ..... 473/569
- 2004/0157525 A1 \* 8/2004 Epstein ..... 446/220
- 2006/0160463 A1 \* 7/2006 Orr et al. .... 446/236
- 2008/0045117 A1 \* 2/2008 Marin Hernandez ..... 446/220

\* cited by examiner

*Primary Examiner* — Catharine Tuttle

(74) *Attorney, Agent, or Firm* — Fredrikson & Byron, P.A.

(57) **CLAIM**

I claim the ornamental design for the inflatable magic wand toy, as shown and described.

**DESCRIPTION**

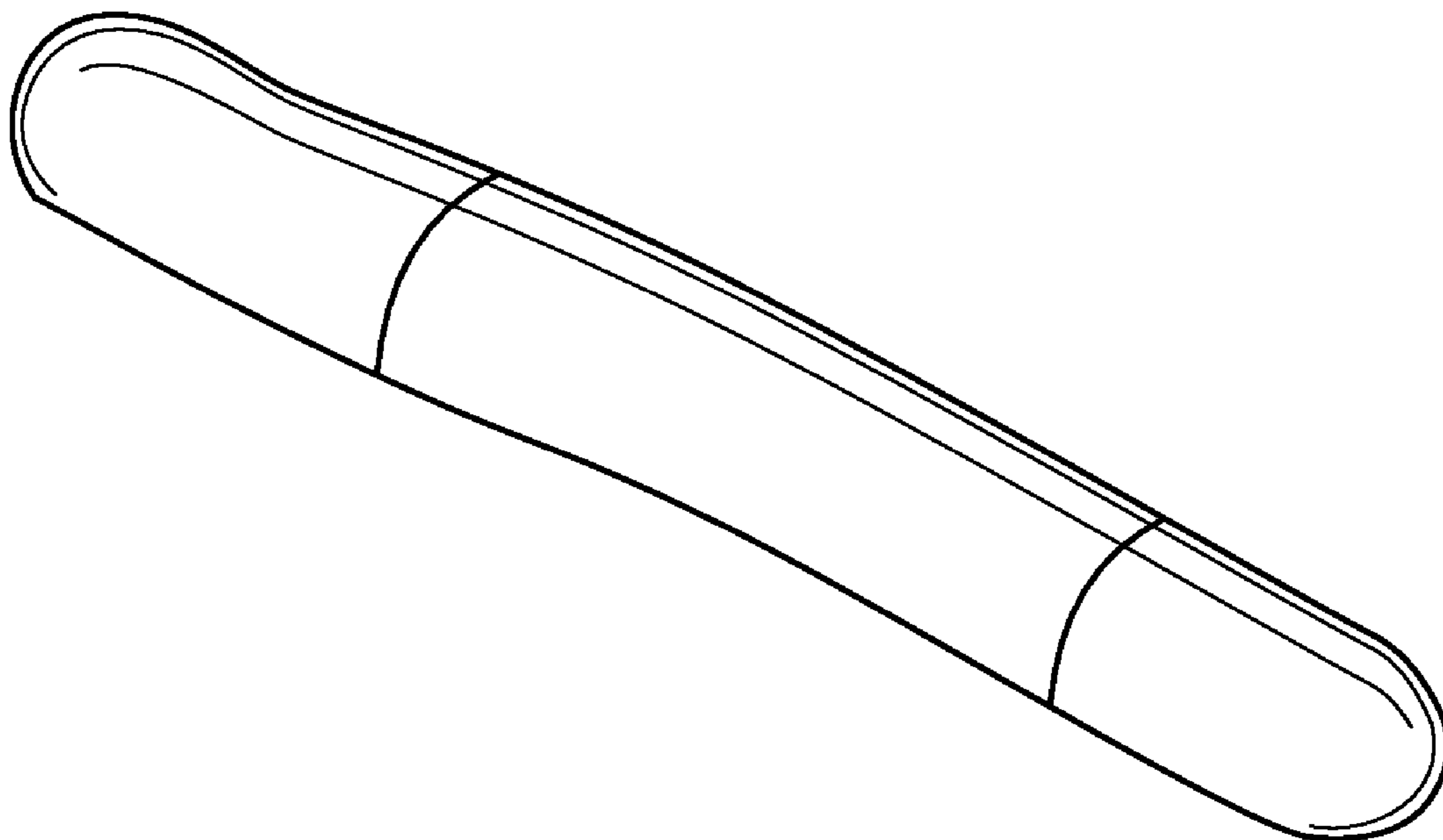
FIG. 1 is a perspective view of the inflatable magic wand toy showing my new design;

FIG. 2 is a front view thereof, with the rear view being a mirror image;

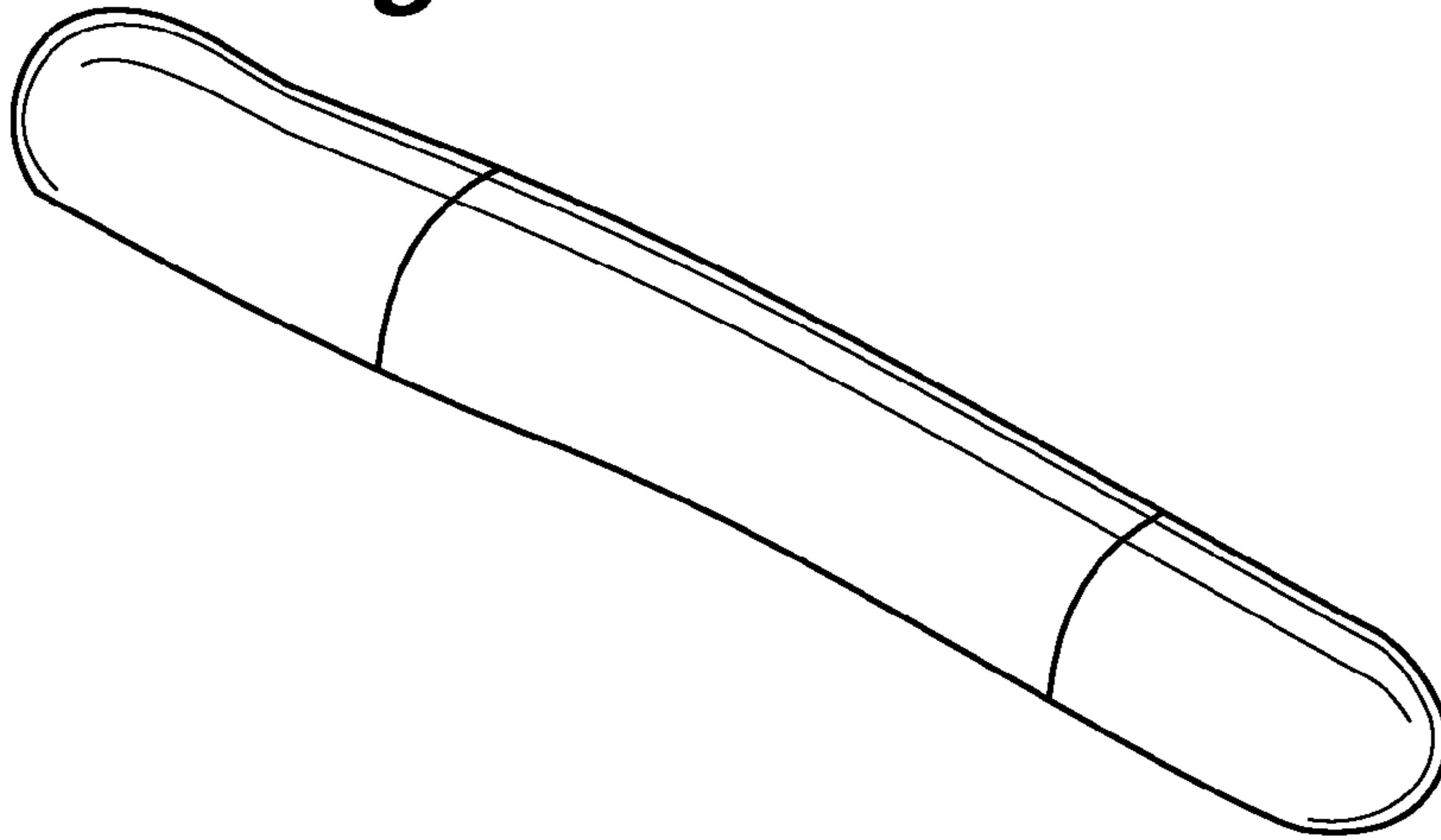
FIG. 3 is a top view thereof, with the bottom view being a mirror image; and,

FIG. 4 is a left side view thereof, with the right side view being a mirror image.

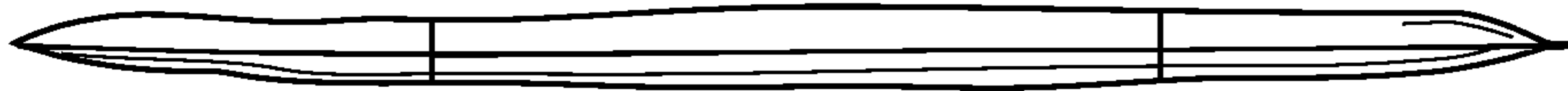
**1 Claim, 1 Drawing Sheet**



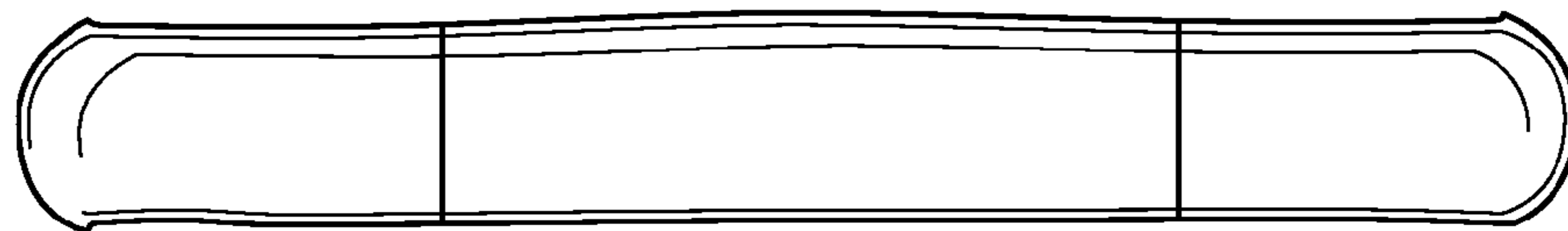
**Fig. 1**



**Fig. 2**



**Fig. 3**



**Fig. 4**

