

US00D662148S

(12) **United States Design Patent**
Boessling

(10) **Patent No.:** **US D662,148 S**
(45) **Date of Patent:** **** Jun. 19, 2012**

- (54) **SHUFFLEBOARD GAME**
- (76) Inventor: **Leon L. Boessling**, New Braunfels, TX (US)
- (**) Term: **14 Years**
- (21) Appl. No.: **29/400,567**
- (22) Filed: **Aug. 30, 2011**
- (51) **LOC (9) Cl.** **21-01**
- (52) **U.S. Cl.** **D21/321**
- (58) **Field of Classification Search** D21/321, D21/334, 338; 273/108, 108.2, 121 R, 126 R, 273/116 R, 121 A, 122 A, 123 R, 124 R, 273/124 A, DIG. 26; 473/106–110; D6/329
See application file for complete search history.

D285,943 S	9/1986	Sadleir	
5,011,147 A	4/1991	Thomas	
5,183,261 A	2/1993	Nobi	
5,201,521 A *	4/1993	Healy	473/160
D361,795 S	8/1995	Abrudan	
D370,699 S	6/1996	Alford	
5,884,911 A	3/1999	Guridi	
RE37,451 E	11/2001	Guridi	
D476,697 S	7/2003	Guridi	
D495,372 S	8/2004	Oister	
D562,910 S	2/2008	Campion	
D638,064 S *	5/2011	McCormick et al.	D21/321
2007/0075485 A1	4/2007	Derman	
2007/0075486 A1	4/2007	Silva	
2007/0075487 A1	4/2007	Silva	
2007/0257428 A1	11/2007	Silva et al.	
2011/0207542 A1	8/2011	Boessling	

* cited by examiner

Primary Examiner — Prabhakar Deshmukh
(74) *Attorney, Agent, or Firm* — Wayne J. Colton, Inc.

(56) **References Cited**

U.S. PATENT DOCUMENTS

1,599,188 A	9/1926	Seede	
2,312,882 A	3/1943	Cusano	
D161,081 S *	12/1950	Bazon	D21/321
2,990,180 A	6/1961	Koci	
3,174,752 A	3/1965	Plentis	
D202,793 S *	11/1965	Smith	D21/321
3,219,349 A	11/1965	Smith	
3,403,911 A	10/1968	Horst	
3,572,717 A *	3/1971	Anguella	273/126 R
3,762,711 A	10/1973	Cooper	
3,825,264 A *	7/1974	Dockum	273/126 R
3,865,377 A	2/1975	Cooper	
3,907,294 A	9/1975	Breslow	
3,992,009 A *	11/1976	Trbovich	273/126 R
4,017,078 A	4/1977	Goldfarb	
4,215,863 A *	8/1980	Kuiper	273/126 R
4,513,964 A	4/1985	Gunderson	

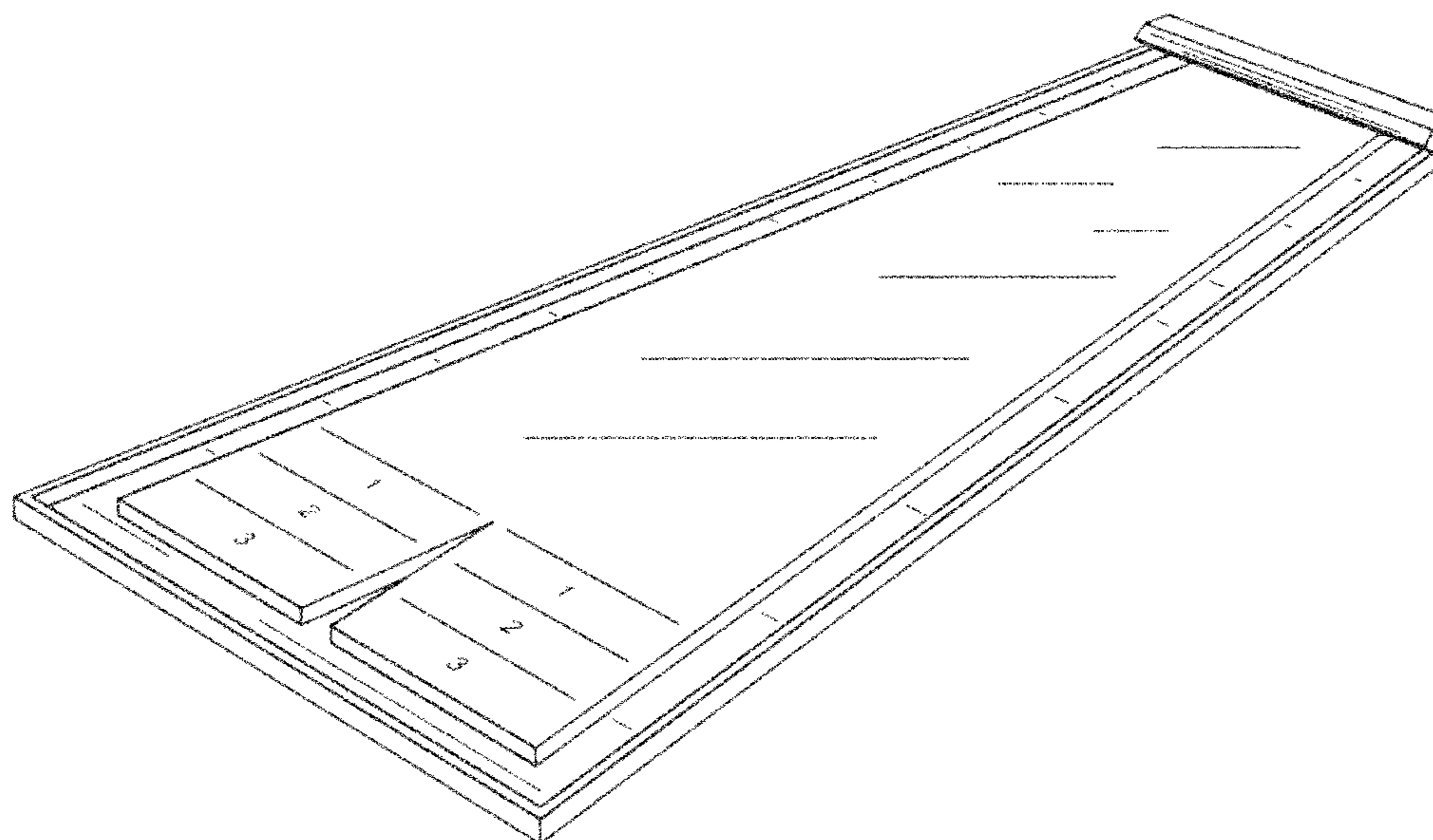
(57) **CLAIM**

The ornamental design for a shuffleboard game, as shown and described.

DESCRIPTION

FIG. 1 is a perspective view of a shuffleboard game, showing my new design;
FIG. 2 is a top plan view thereof;
FIG. 3 is a bottom plan view thereof;
FIG. 4 is a right side elevational view thereof;
FIG. 5 is a left side elevational view thereof;
FIG. 6 is a front end elevational view thereof; and,
FIG. 7 is a rear end elevational view thereof.

1 Claim, 4 Drawing Sheets



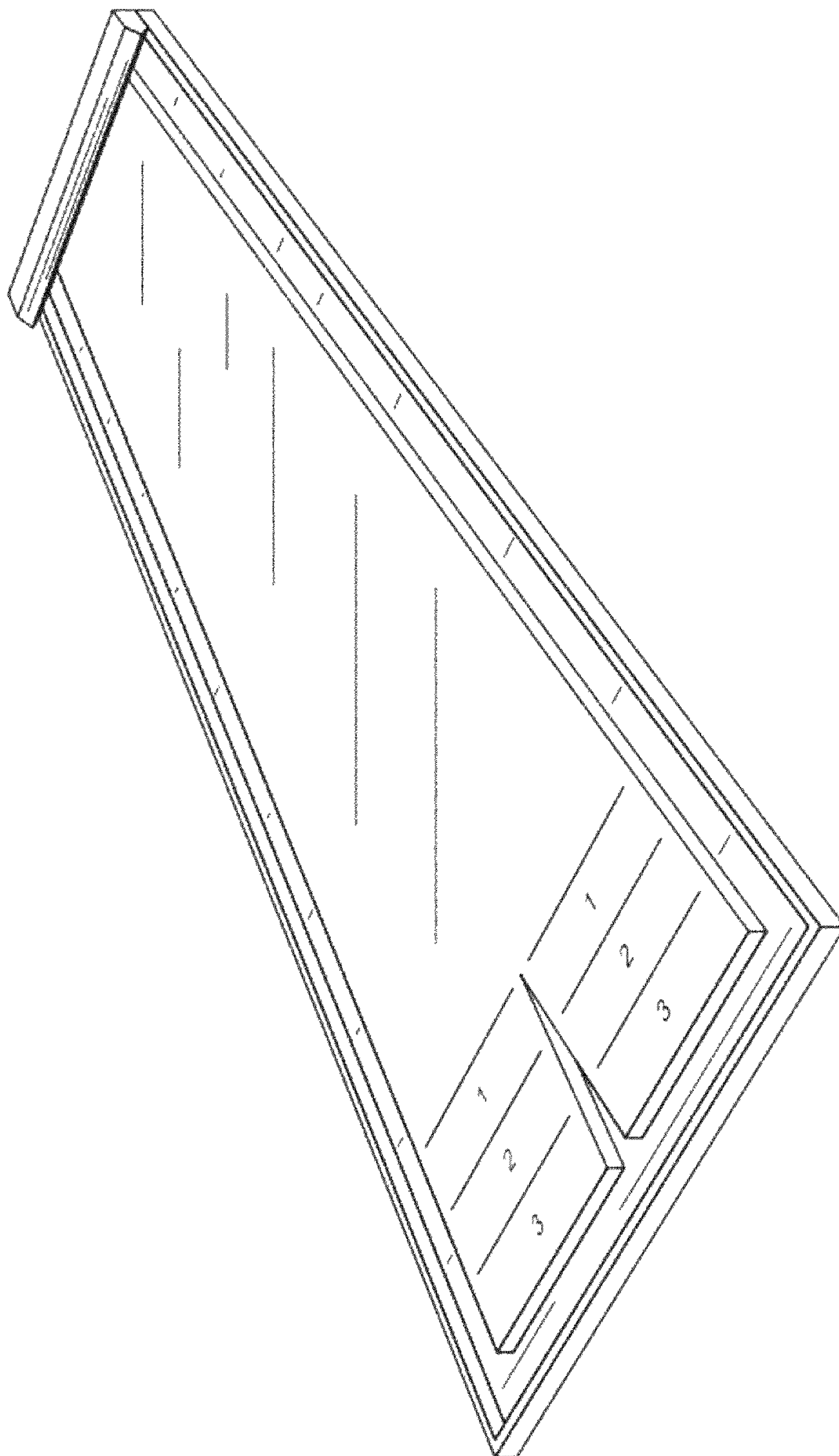


Figure 1

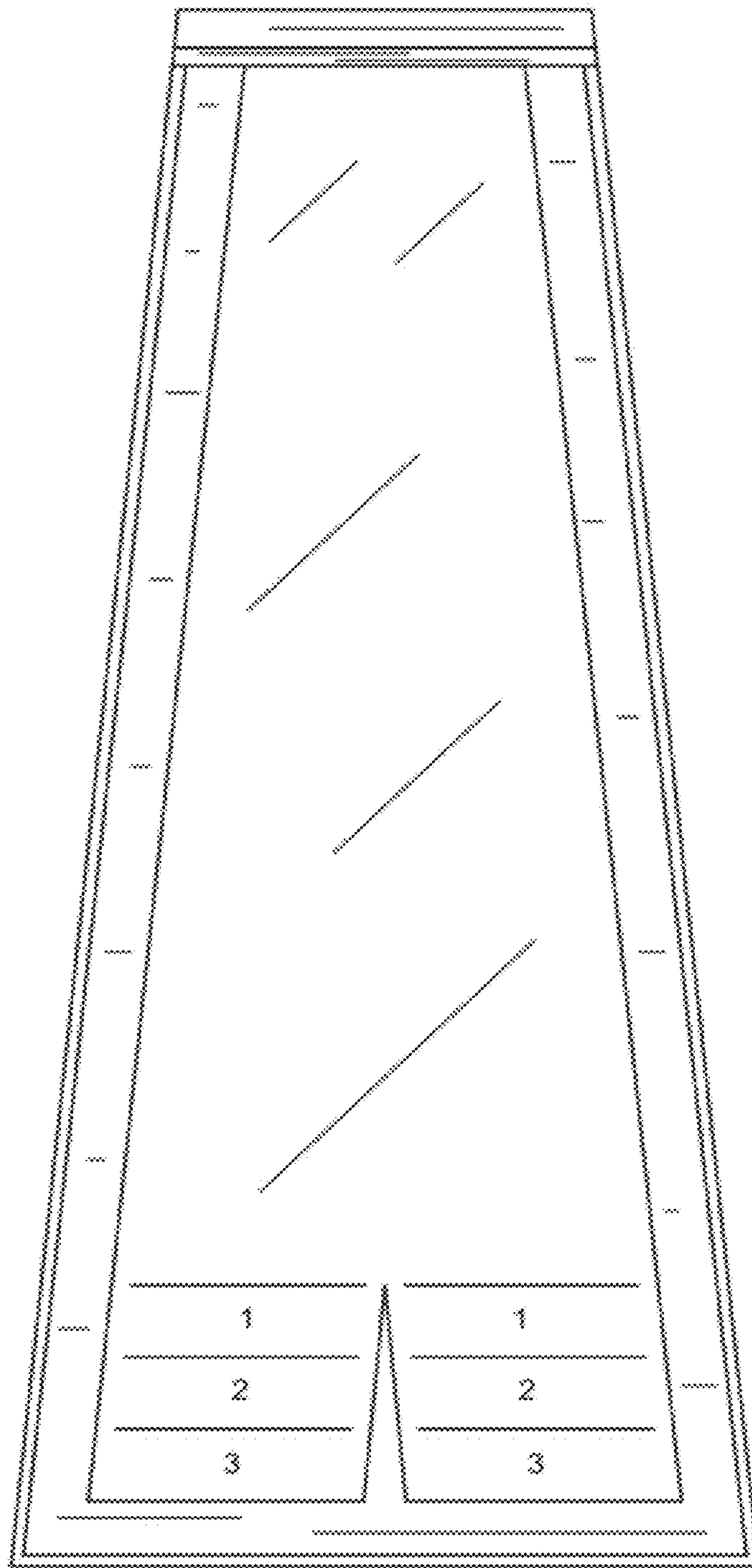


Figure 2

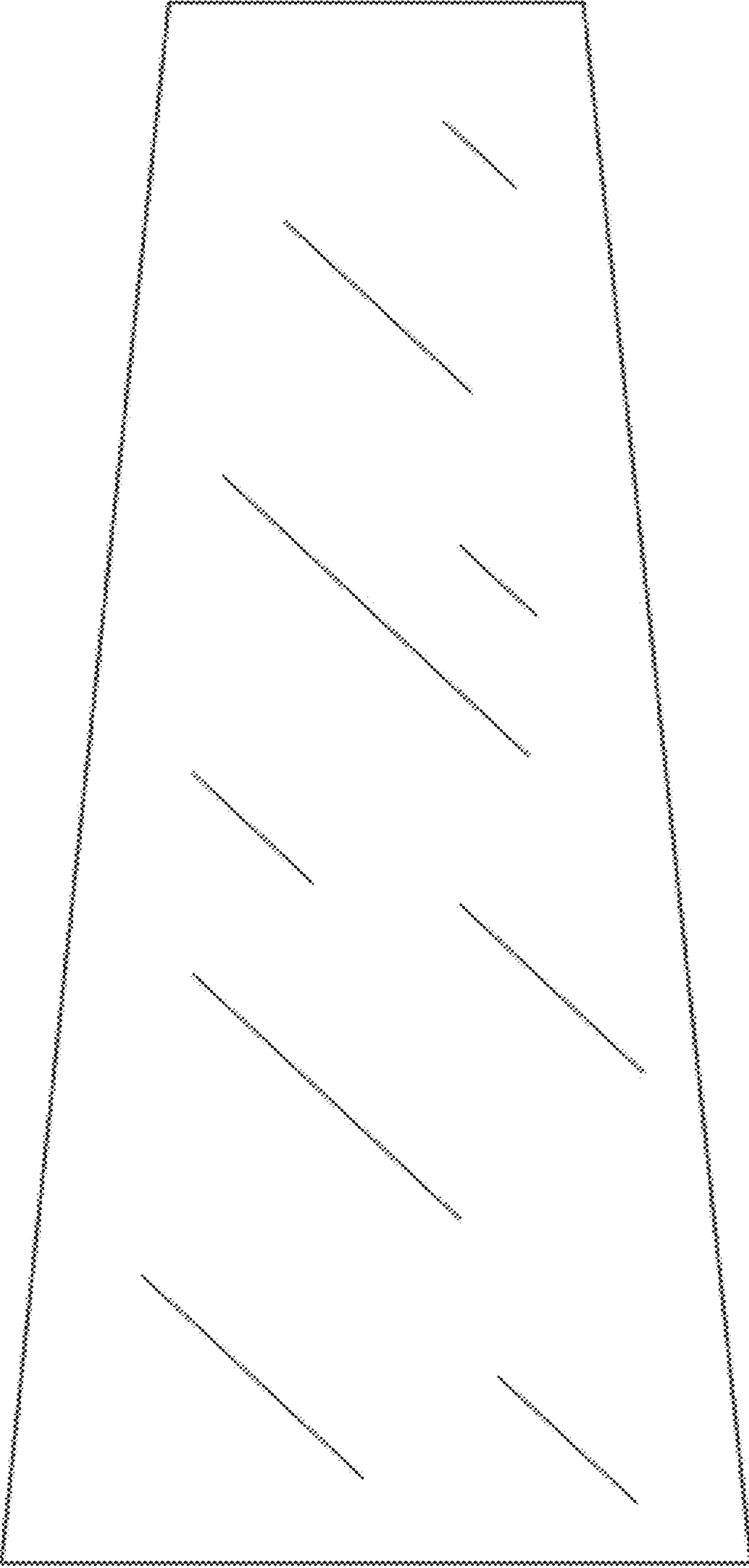


Figure 3



Figure 4



Figure 5



Figure 6



Figure 7