



US00D662143S

(12) **United States Design Patent**  
**Bengyak**

(10) **Patent No.:** **US D662,143 S**

(45) **Date of Patent:** **\*\* Jun. 19, 2012**

(54) **HAND SIGN**

(76) Inventor: **Christopher Edward Bengyak**, Vero Beach, FL (US)

(\*\*) Term: **14 Years**

(21) Appl. No.: **29/374,156**

(22) Filed: **Jul. 9, 2011**

(51) **LOC (9) Cl.** ..... **20-03**

(52) **U.S. Cl.** ..... **D20/29; D20/33**

(58) **Field of Classification Search** ..... D20/10,  
D20/19, 29-33, 36, 40, 99; 40/446, 538,  
40/541, 584, 586; D2/615; D21/400; D28/63;  
446/327

See application file for complete search history.

(56) **References Cited**

**U.S. PATENT DOCUMENTS**

D360,653 S *	7/1995	McKee	.....	D20/33
D414,212 S *	9/1999	Palardis	.....	D20/29
D429,285 S *	8/2000	Schini	.....	D20/32
7,530,876 B1 *	5/2009	Wimberly	.....	446/327
D633,152 S *	2/2011	Scott	.....	D20/33
D633,946 S *	3/2011	Scott	.....	D20/33
D641,424 S *	7/2011	Bengyak	.....	D20/29
D647,571 S *	10/2011	Bengyak	.....	D20/33

**OTHER PUBLICATIONS**

Rock Pick Waver—Oempromo.com <http://www.oempromo.com/product/Foam/R/Rock-Pick-Waver-149559.htm> pulled from the web on Oct. 31, 2011.\*

\* cited by examiner

*Primary Examiner* — Mary Ann Calabrese

(57) **CLAIM**

The ornamental design for a hand sign, as shown and described.

**DESCRIPTION**

FIG. 1 is a right-side elevational view of a first embodiment of a left-hand hand sign according to the invention;

FIG. 2 is a left-side elevational view of the left-hand hand sign of FIG. 1;

FIG. 3 is a reduced scale rear elevational view of the left-hand hand sign of FIG. 1;

FIG. 4 is a reduced scale top plan view of the left-hand hand sign of FIG. 1;

FIG. 5 is a reduced scale bottom plan view of the left-hand hand sign of FIG. 1;

FIG. 6 is a reduced scale front plan view of the left-hand hand sign of FIG. 1;

FIG. 7 is a perspective view from below the rear of the right side of the left-hand hand sign of FIG. 1;

FIG. 8 is a perspective view from above the front of the right side of the left-hand hand sign of FIG. 1;

FIG. 9 is a left-side elevational view of a second embodiment of a right-hand hand sign according to the invention;

FIG. 10 is a right-side elevational view of the right-hand hand sign of FIG. 9;

FIG. 11 is a reduced scale front elevational view of the right-hand hand sign of FIG. 9;

FIG. 12 is a reduced scale top plan view of the right-hand hand sign of FIG. 9;

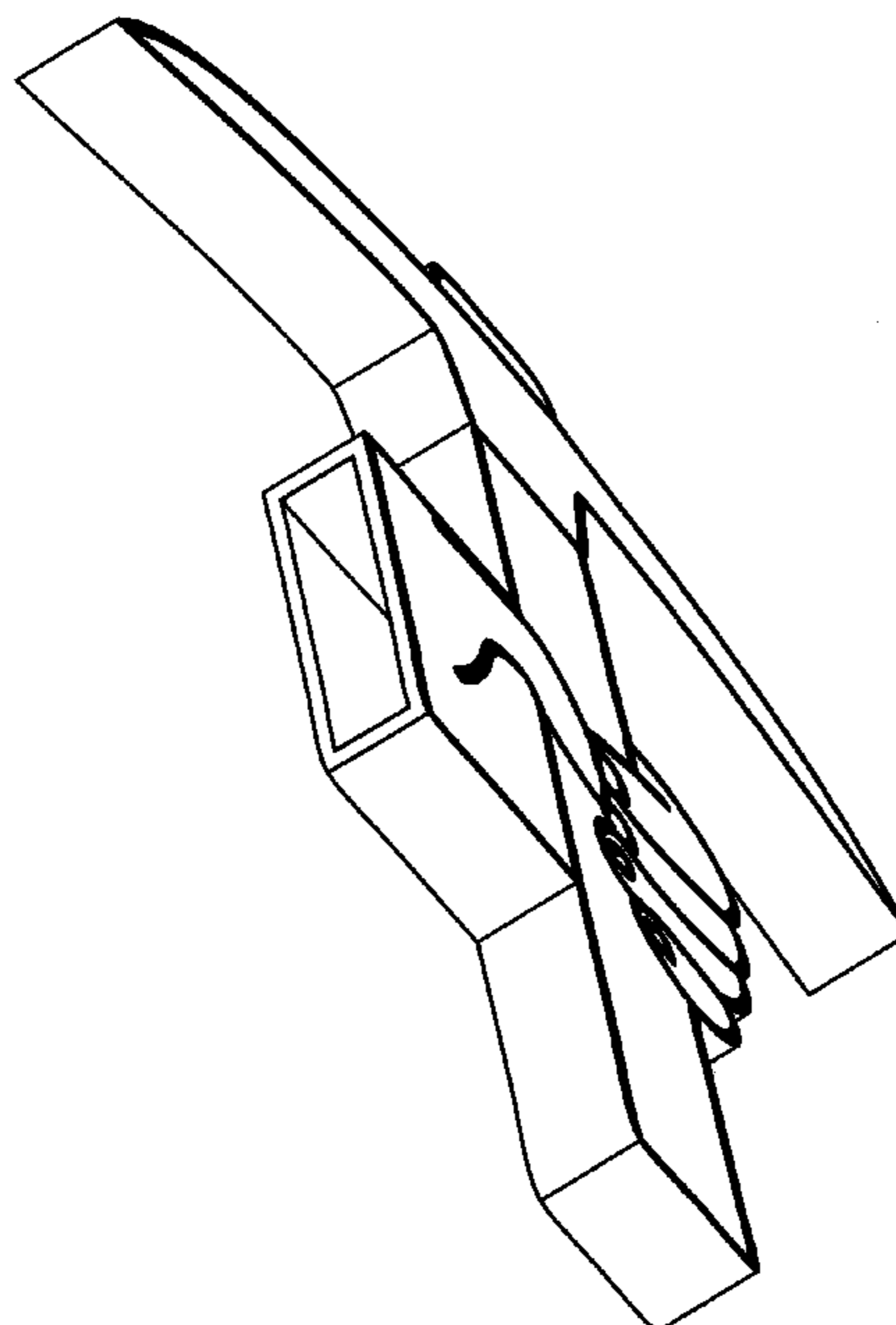
FIG. 13 is a reduced scale bottom plan view of the right-hand hand sign of FIG. 9;

FIG. 14 is a reduced scale rear elevational view of the right-hand hand sign of FIG. 9;

FIG. 15 is a perspective view from below the rear of the left side of the right-hand hand sign of FIG. 9; and,

FIG. 16 is a perspective view from above the front of the left side of the right-hand hand sign of FIG. 9.

**1 Claim, 10 Drawing Sheets**



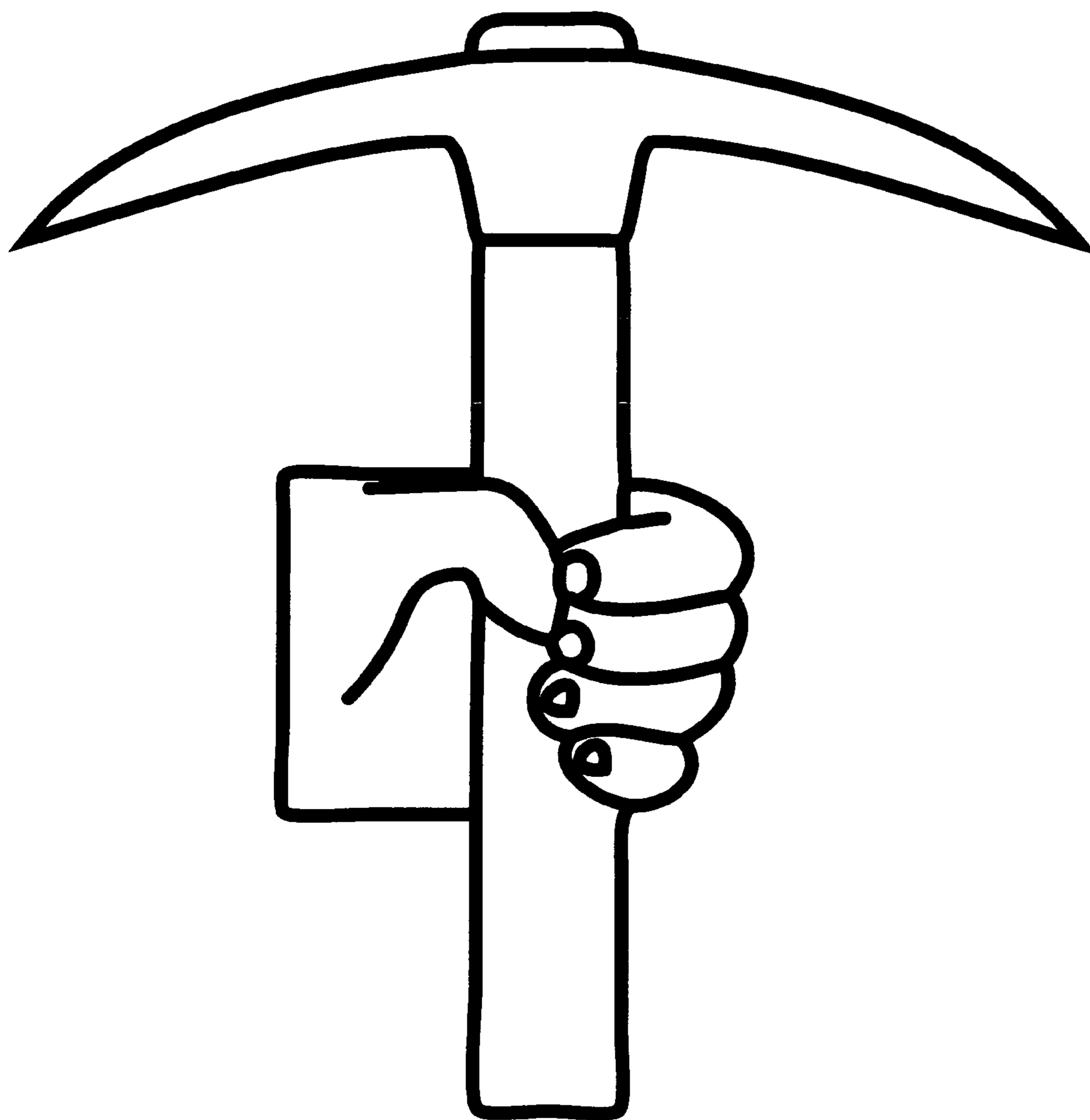


FIG. 1

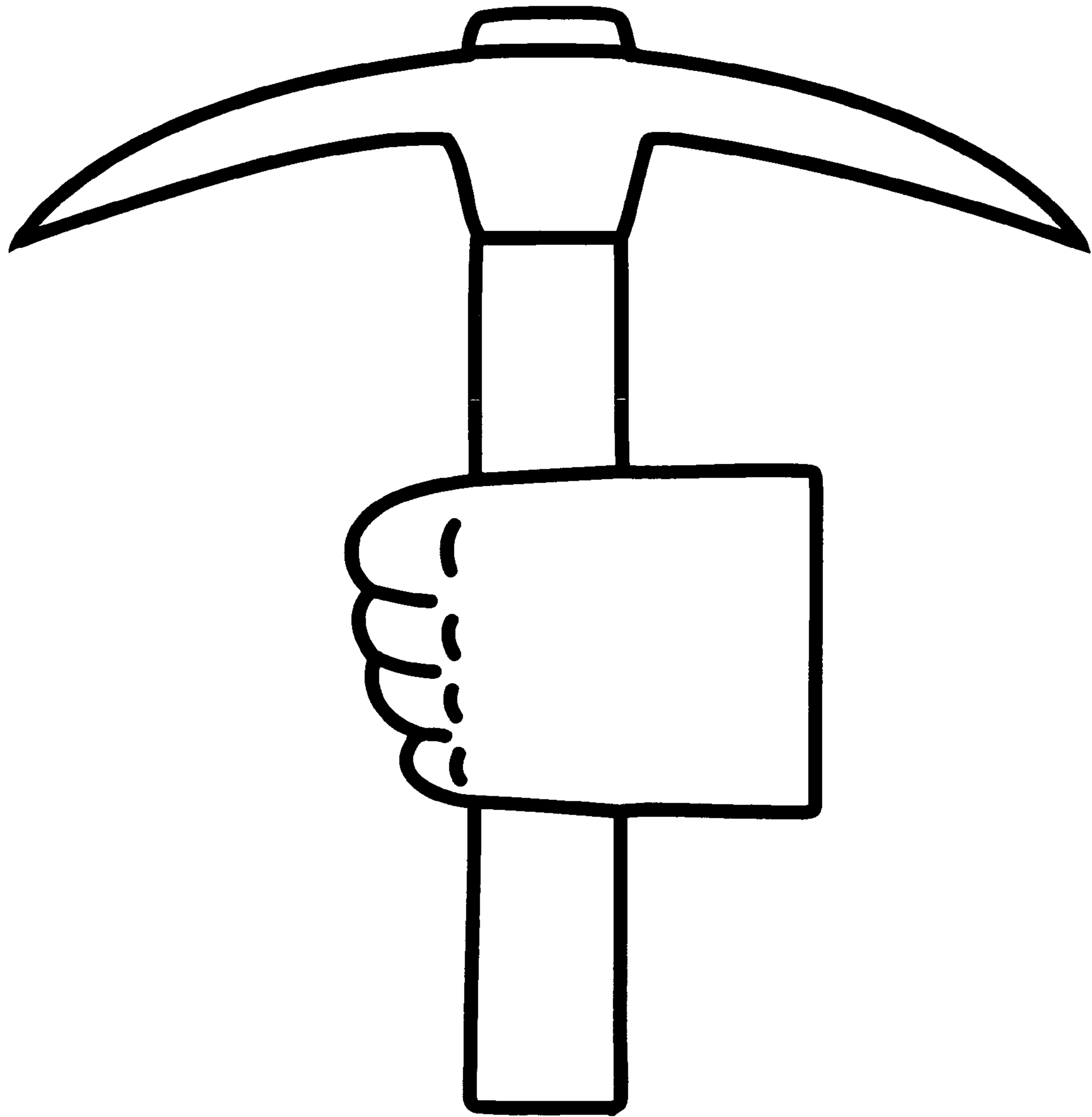


FIG. 2

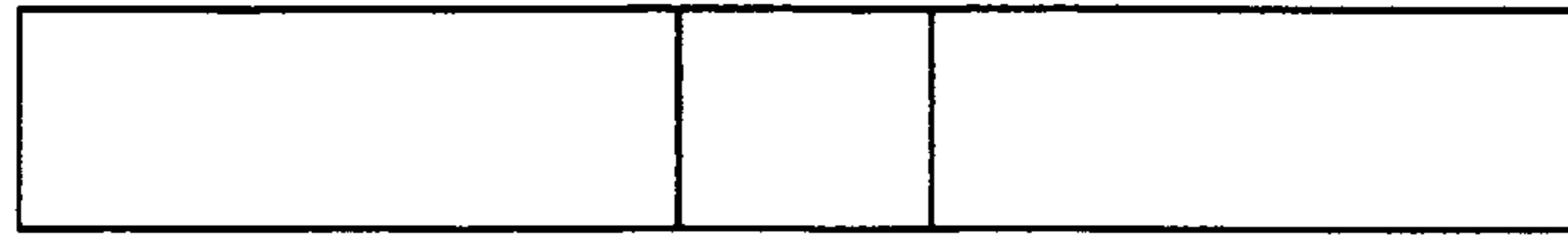


FIG. 4

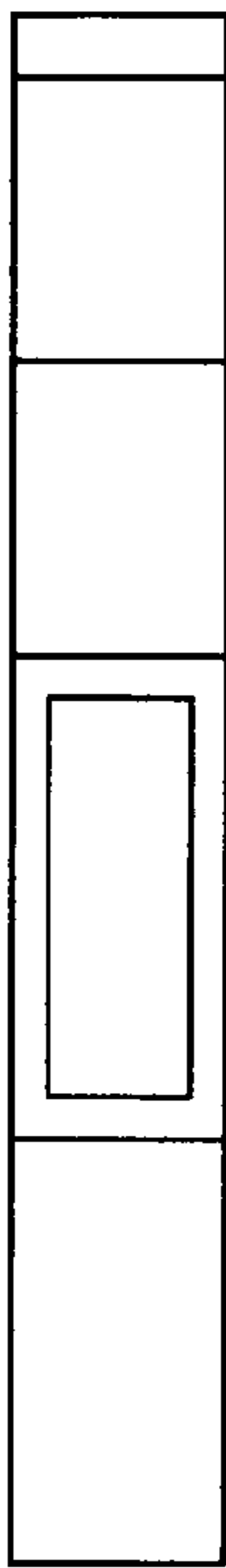


FIG. 3

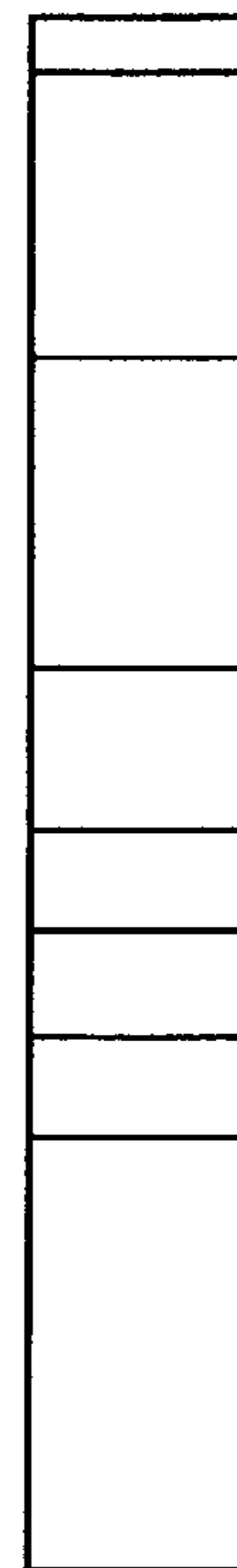


FIG. 6

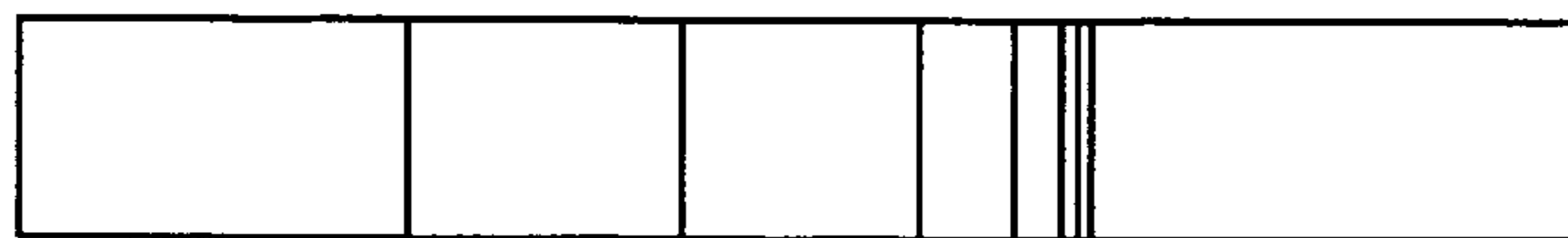


FIG. 5

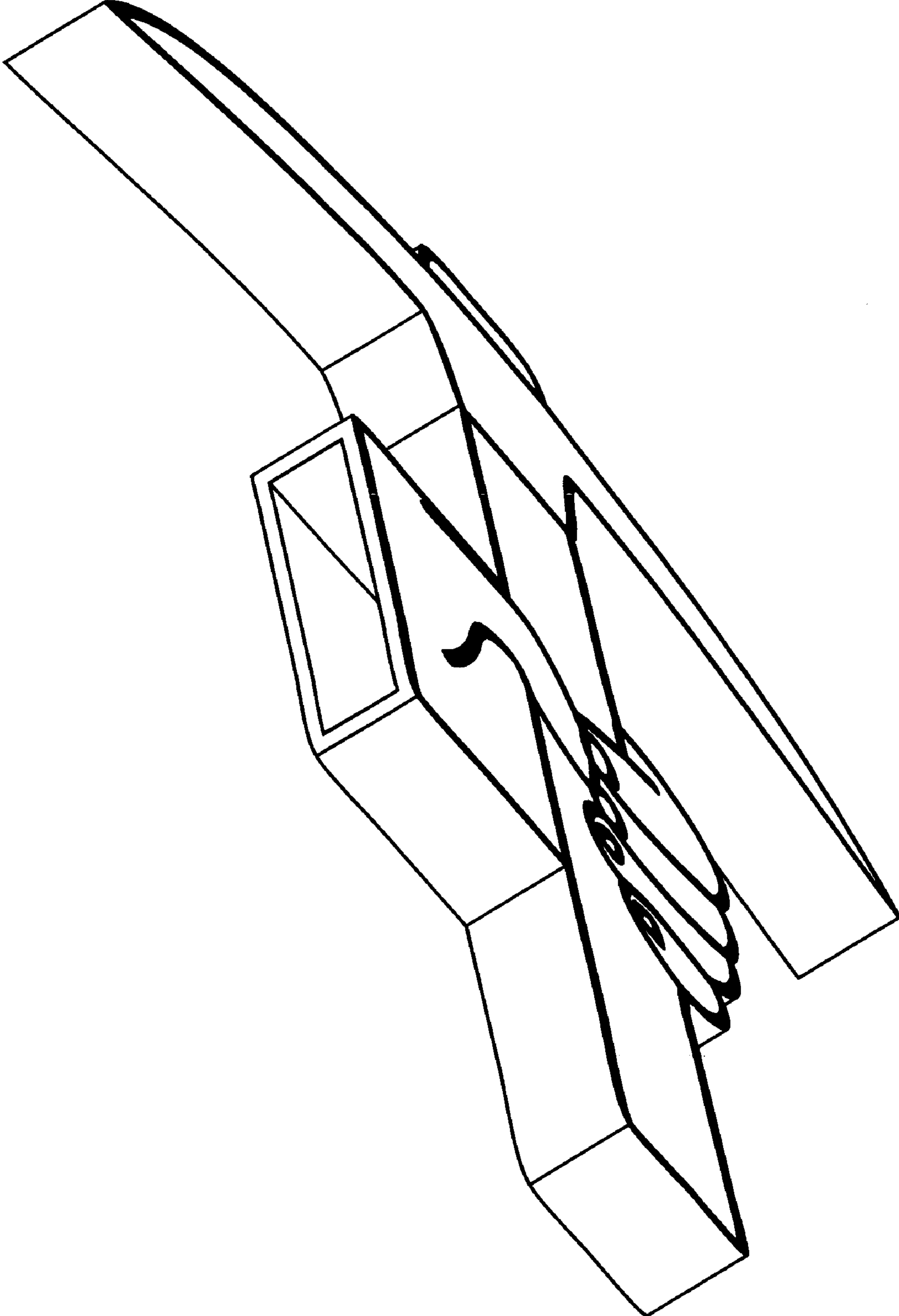


FIG. 7

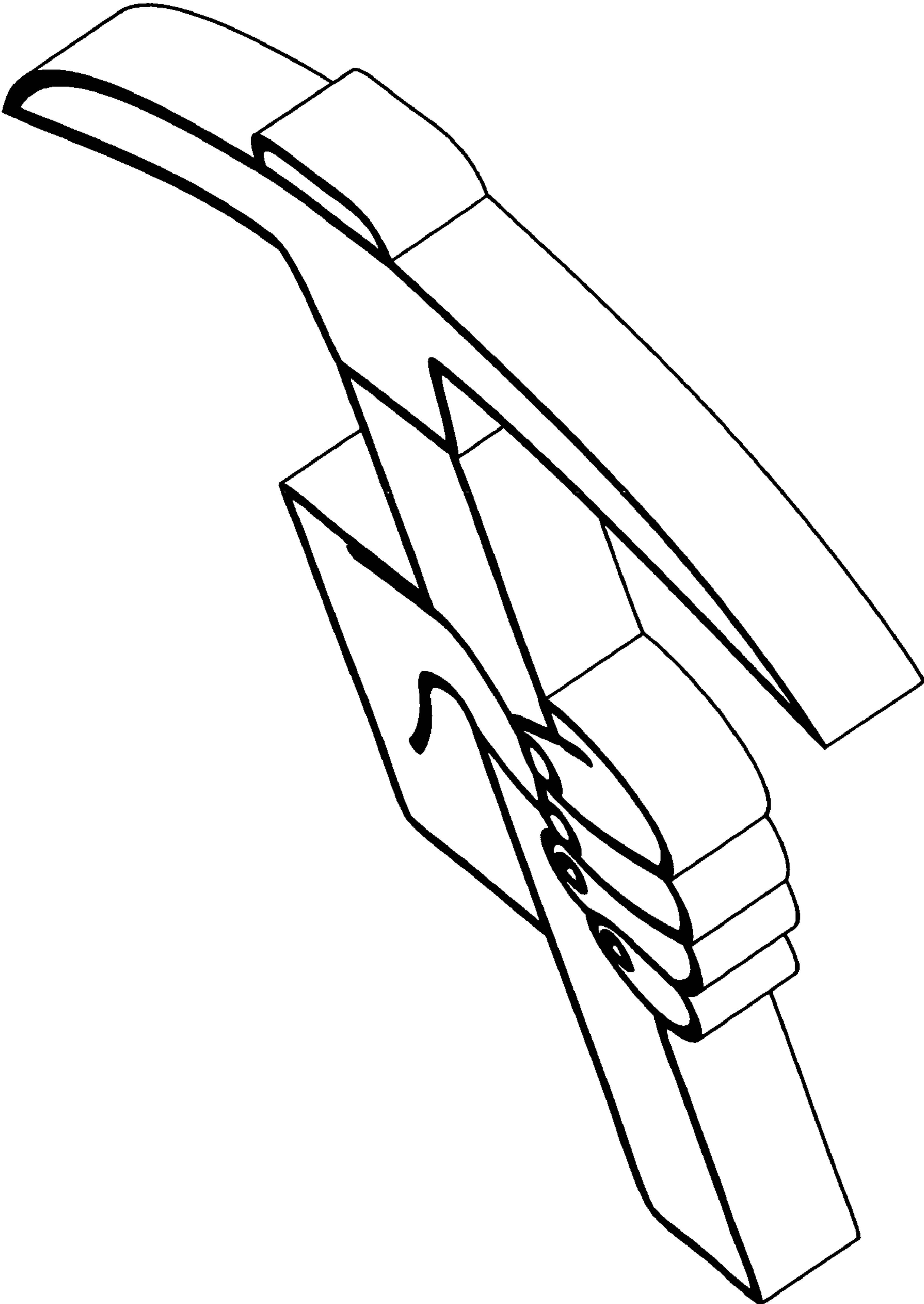


FIG. 8

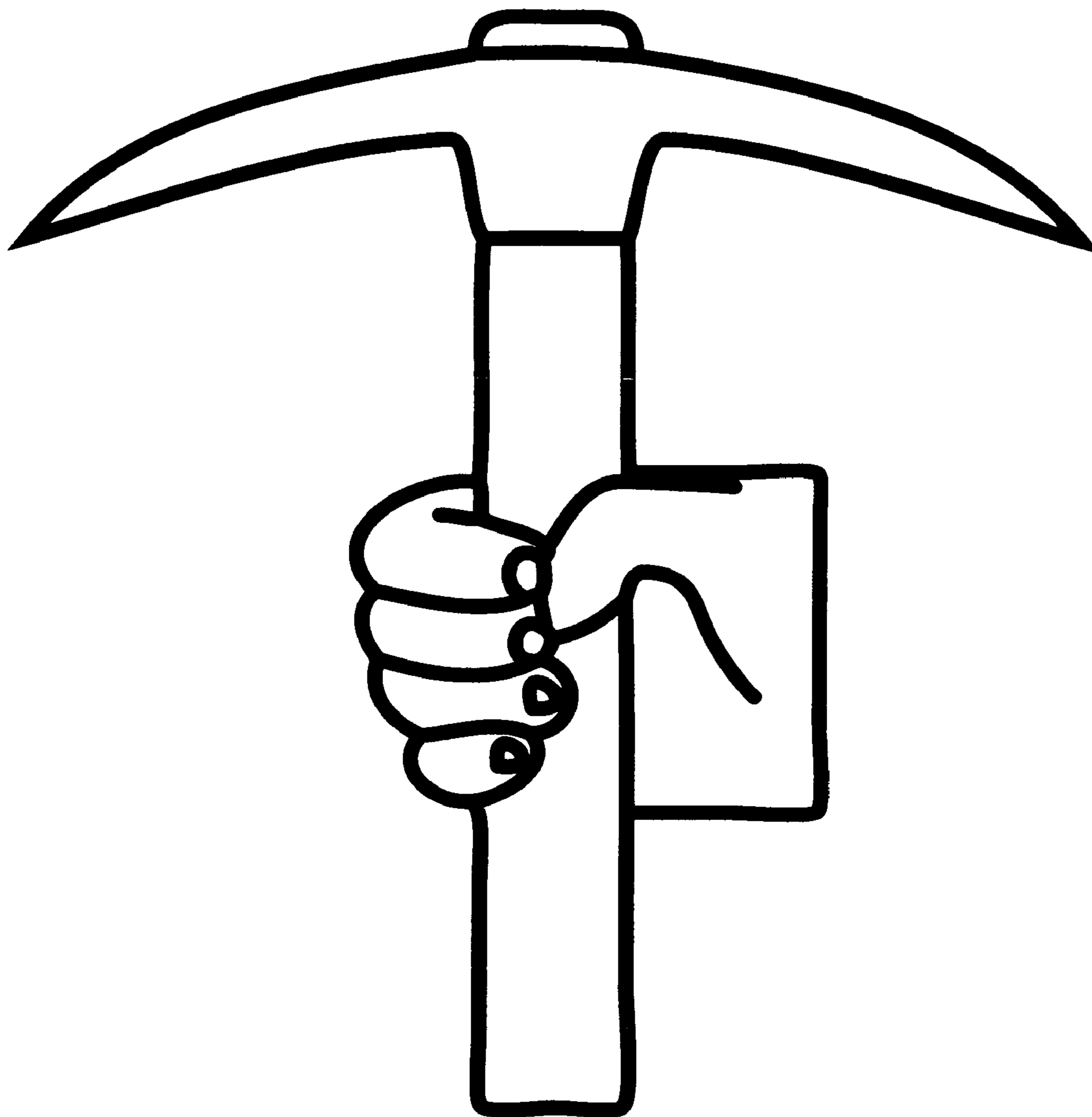


FIG. 9

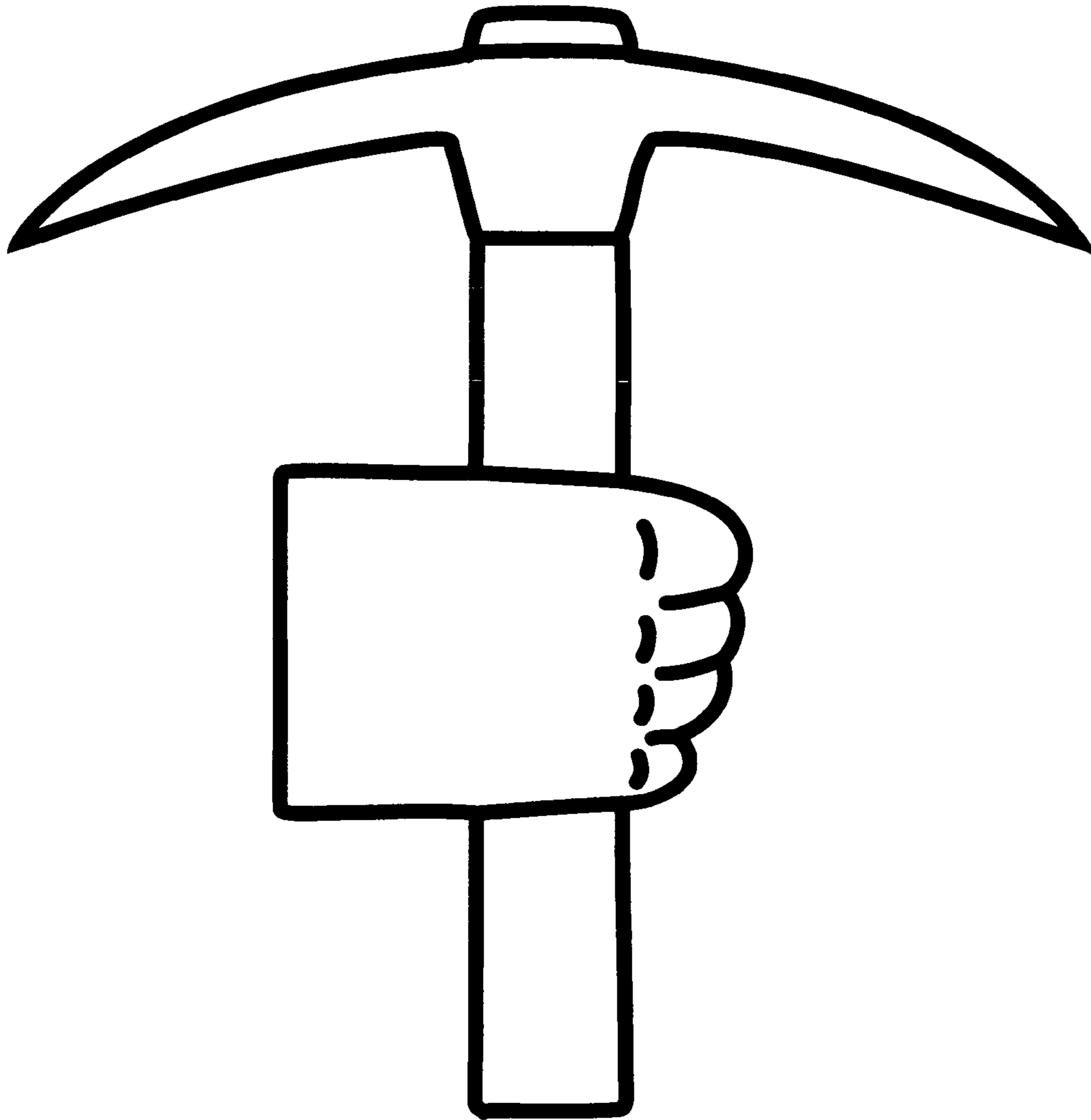


FIG. 10



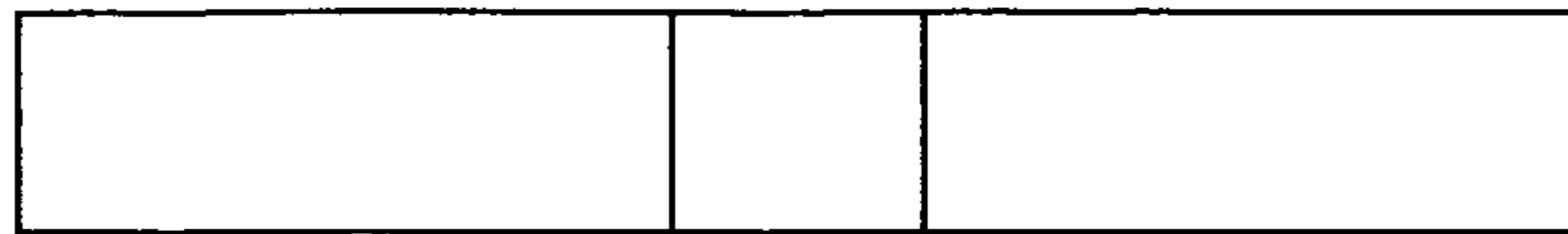


FIG. 12

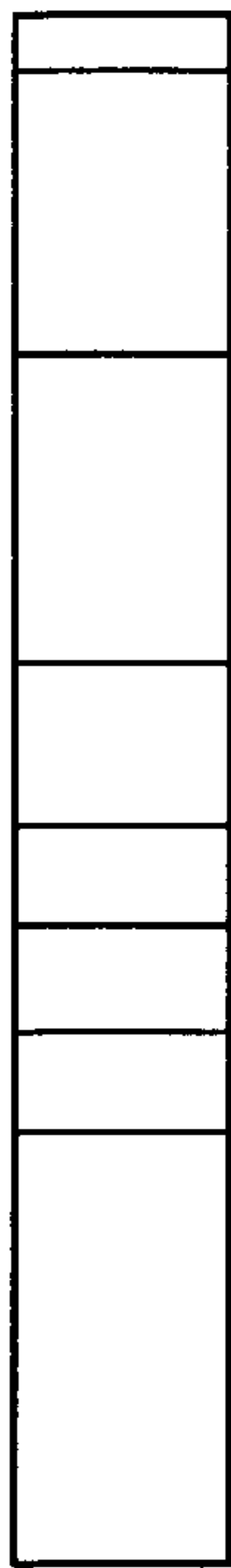


FIG. 11

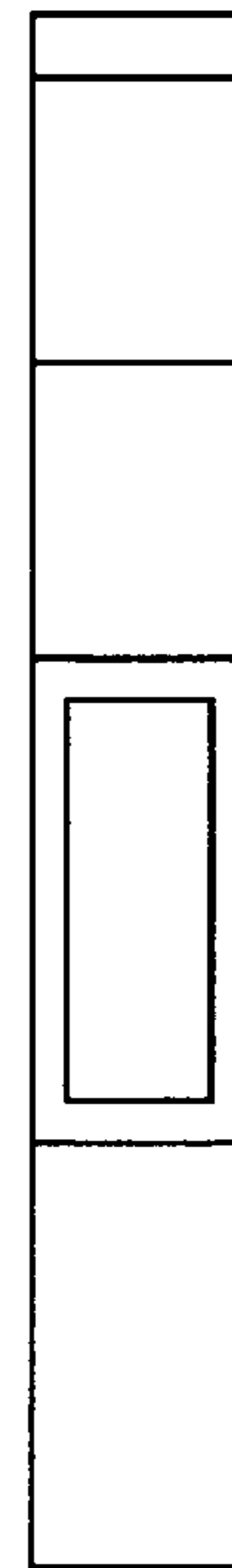


FIG. 14

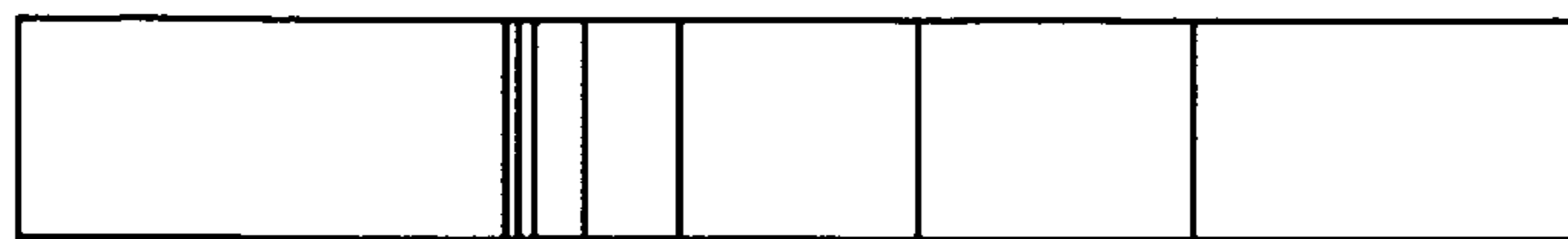


FIG. 13

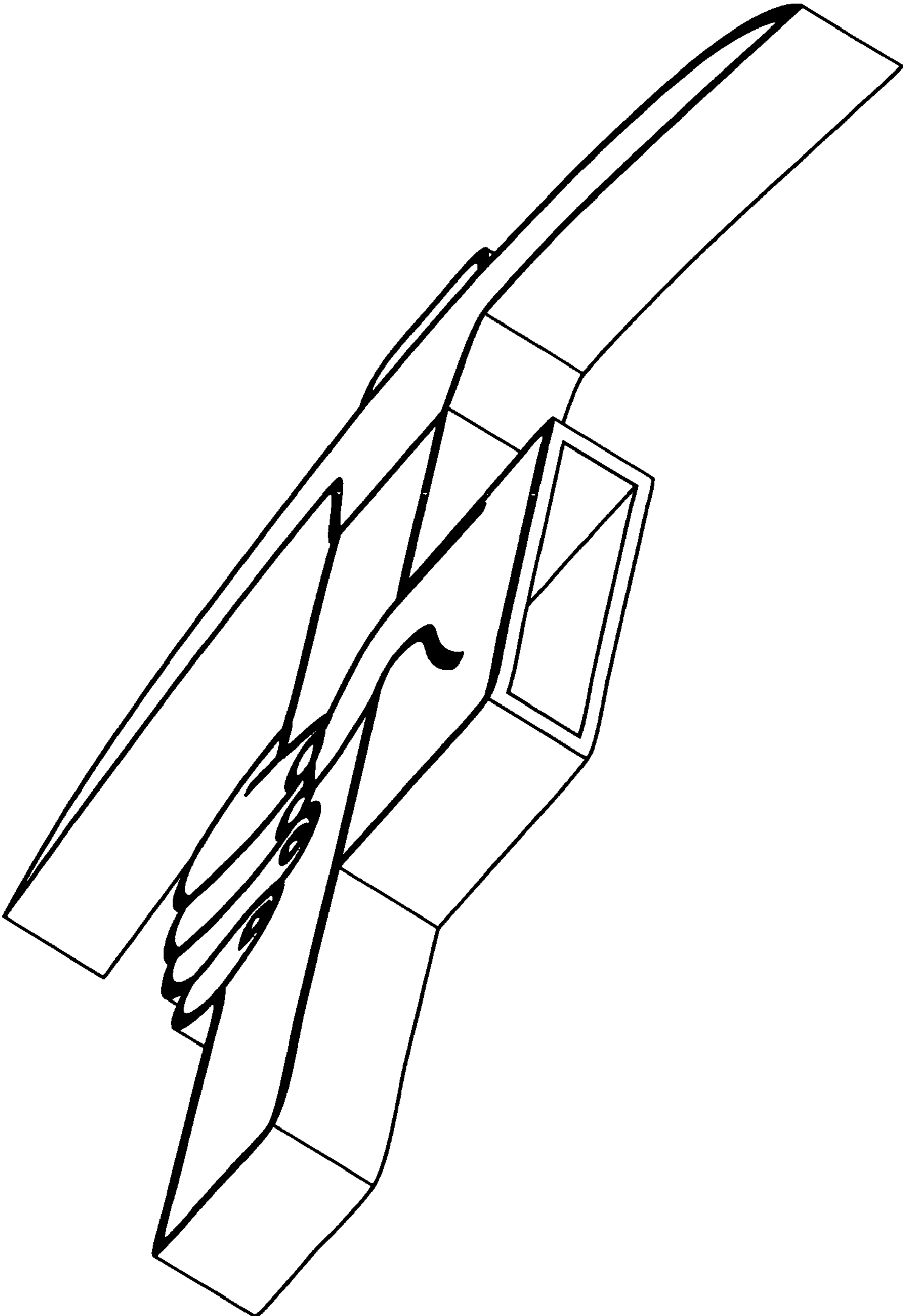


FIG. 15

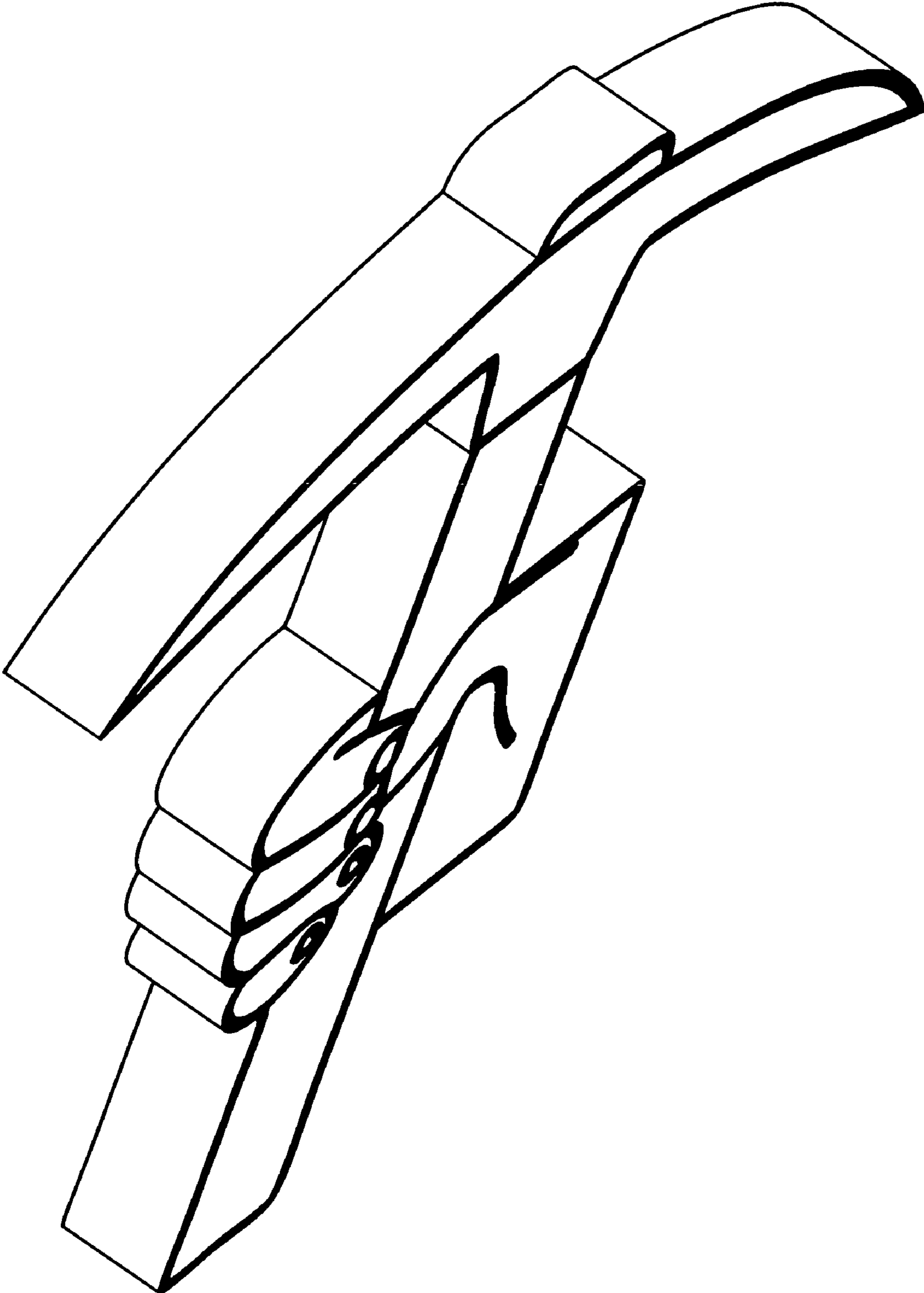


FIG. 16