



US00D662140S

(12) **United States Design Patent**
Huang

(10) **Patent No.:** **US D662,140 S**
(45) **Date of Patent:** **** Jun. 19, 2012**

(54) **PEN HOLDER**

(76) Inventor: **Chao Kuang Huang**, Taichung (TW)

(**) Term: **14 Years**

(21) Appl. No.: **29/403,516**

(22) Filed: **Oct. 6, 2011**

(51) **LOC (9) Cl.** **19-06**

(52) **U.S. Cl.** **D19/84**

(58) **Field of Classification Search** D19/75,
D19/77-85, 99, 100; 206/214, 224, 371;
211/69.1-69.9

See application file for complete search history.

(56) **References Cited**

U.S. PATENT DOCUMENTS

D60,498 S *	2/1922	Mitz	D19/79
D212,413 S *	10/1968	Lacoste	D9/560
D226,786 S *	4/1973	Bolling	D19/78
D236,341 S *	8/1975	Leedy	D19/75
D245,615 S *	8/1977	Burroughs	D19/85
D259,126 S *	5/1981	Macowski	D19/85
D287,821 S *	1/1987	Holewinski et al.	D9/414
4,657,176 A *	4/1987	Matsubara	229/117.01
4,796,780 A *	1/1989	Huang	221/154
D302,908 S *	8/1989	Hwang	D6/397
5,033,629 A *	7/1991	Caine	211/69.5
5,069,339 A *	12/1991	Hsu	206/340
D328,375 S *	7/1992	Levine	D34/7
D333,411 S *	2/1993	Ku	D7/641
D339,438 S *	9/1993	Moran	D34/7

D356,829 S *	3/1995	Russomano et al.	D19/77
D377,901 S *	2/1997	Payne et al.	D9/456
6,186,461 B1 *	2/2001	Pelaez	248/314
6,256,914 B1 *	7/2001	Yeh	40/720
D455,335 S *	4/2002	Cort	D8/374
6,464,078 B1 *	10/2002	Grossnickle	206/459.5
D487,870 S *	3/2004	Stewart et al.	D9/782
D527,424 S *	8/2006	Long	D19/77
D594,754 S *	6/2009	Dretzka	D6/518
D639,006 S *	5/2011	Yang et al.	D34/1

* cited by examiner

Primary Examiner — Elizabeth Albert

(74) *Attorney, Agent, or Firm* — Lin & Associates IP, Inc.

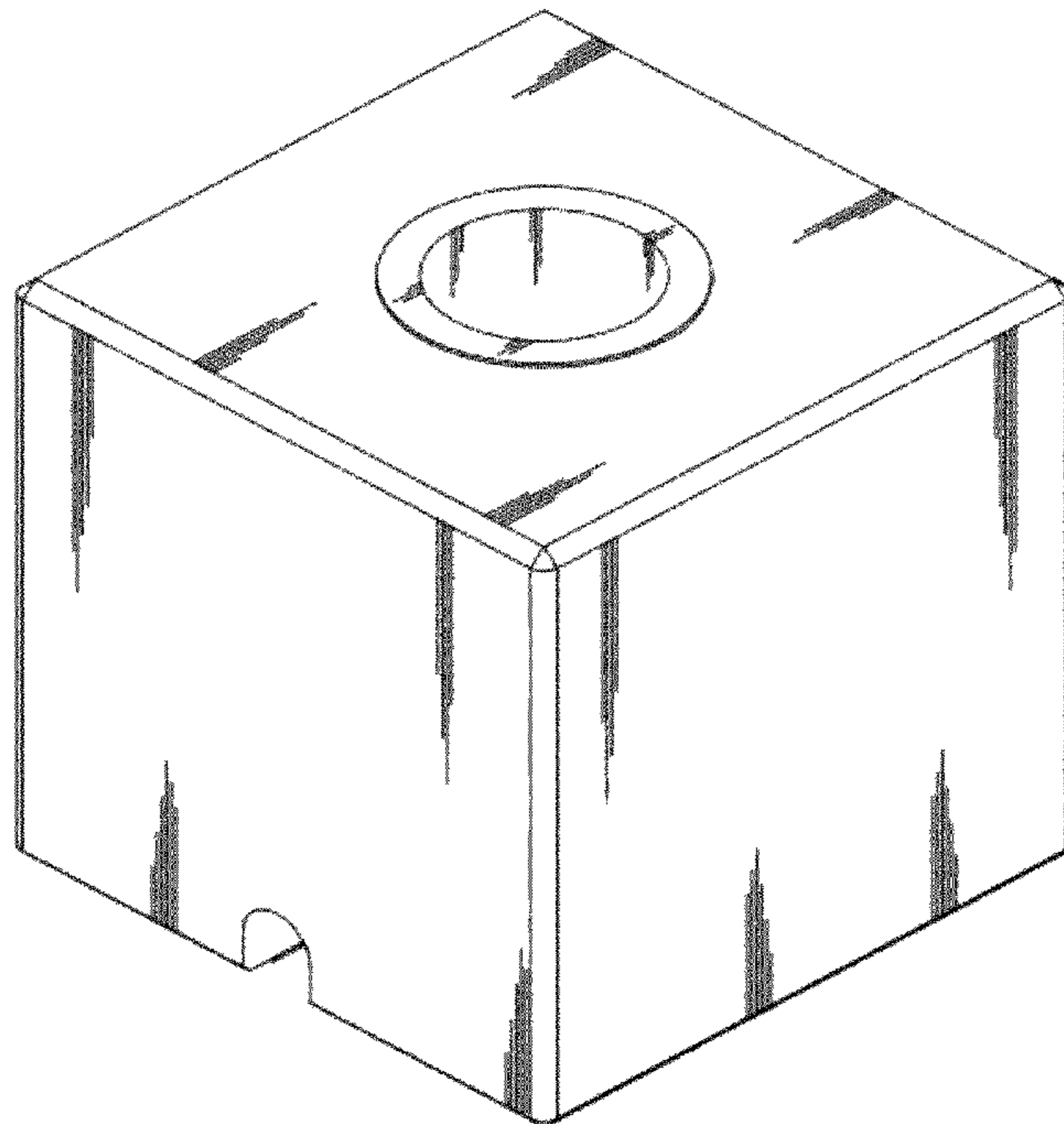
(57) **CLAIM**

The ornamental design for a pen holder, as shown and described.

DESCRIPTION

FIG. 1 is a perspective view of a pen holder showing my new design;
FIG. 2 is a front elevational view thereof;
FIG. 3 is a rear elevational view thereof;
FIG. 4 is a left elevational view thereof;
FIG. 5 is a right elevational view thereof;
FIG. 6 is a top view thereof; and,
FIG. 7 is a bottom view thereof.

1 Claim, 7 Drawing Sheets



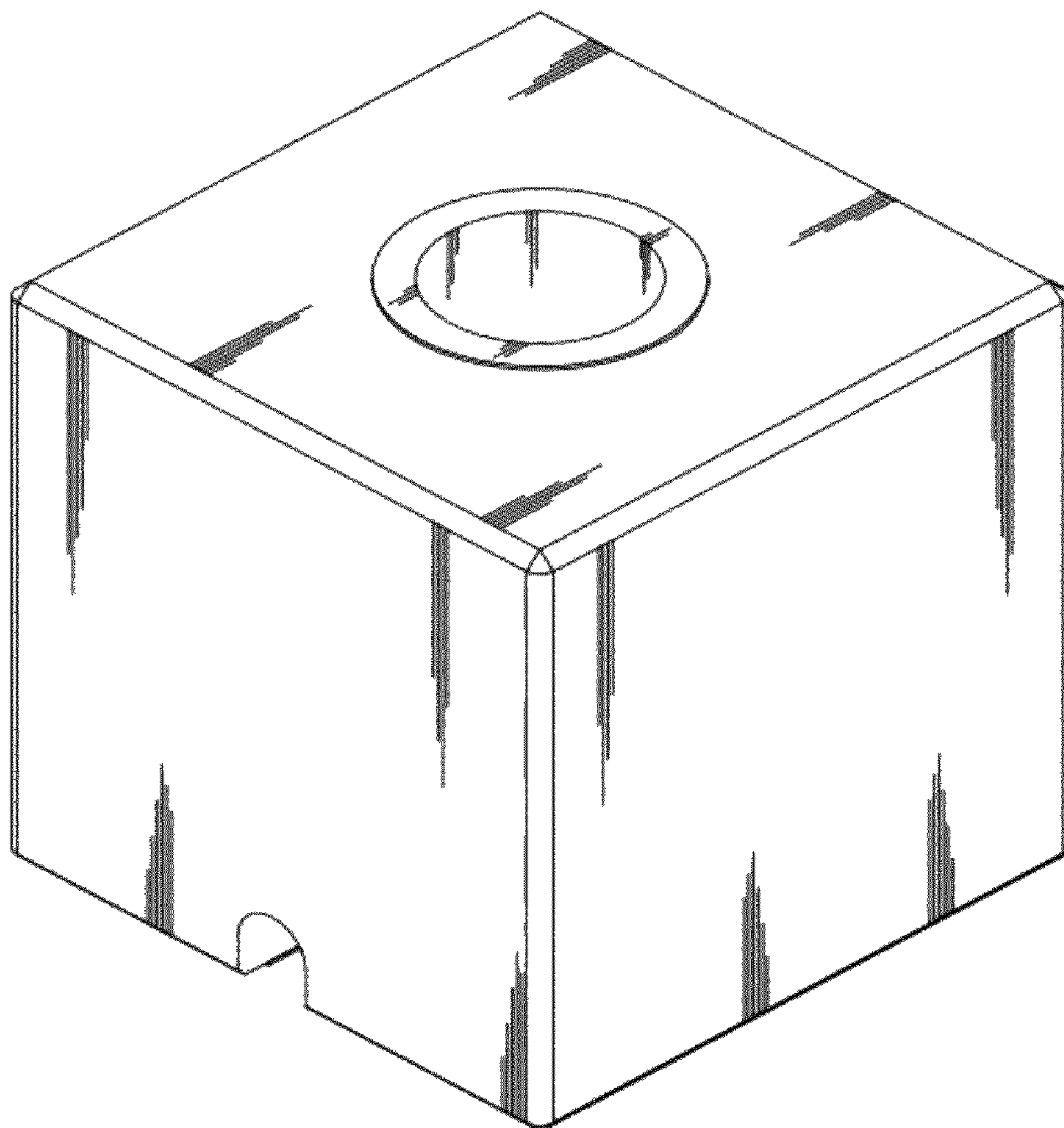


FIG. 1

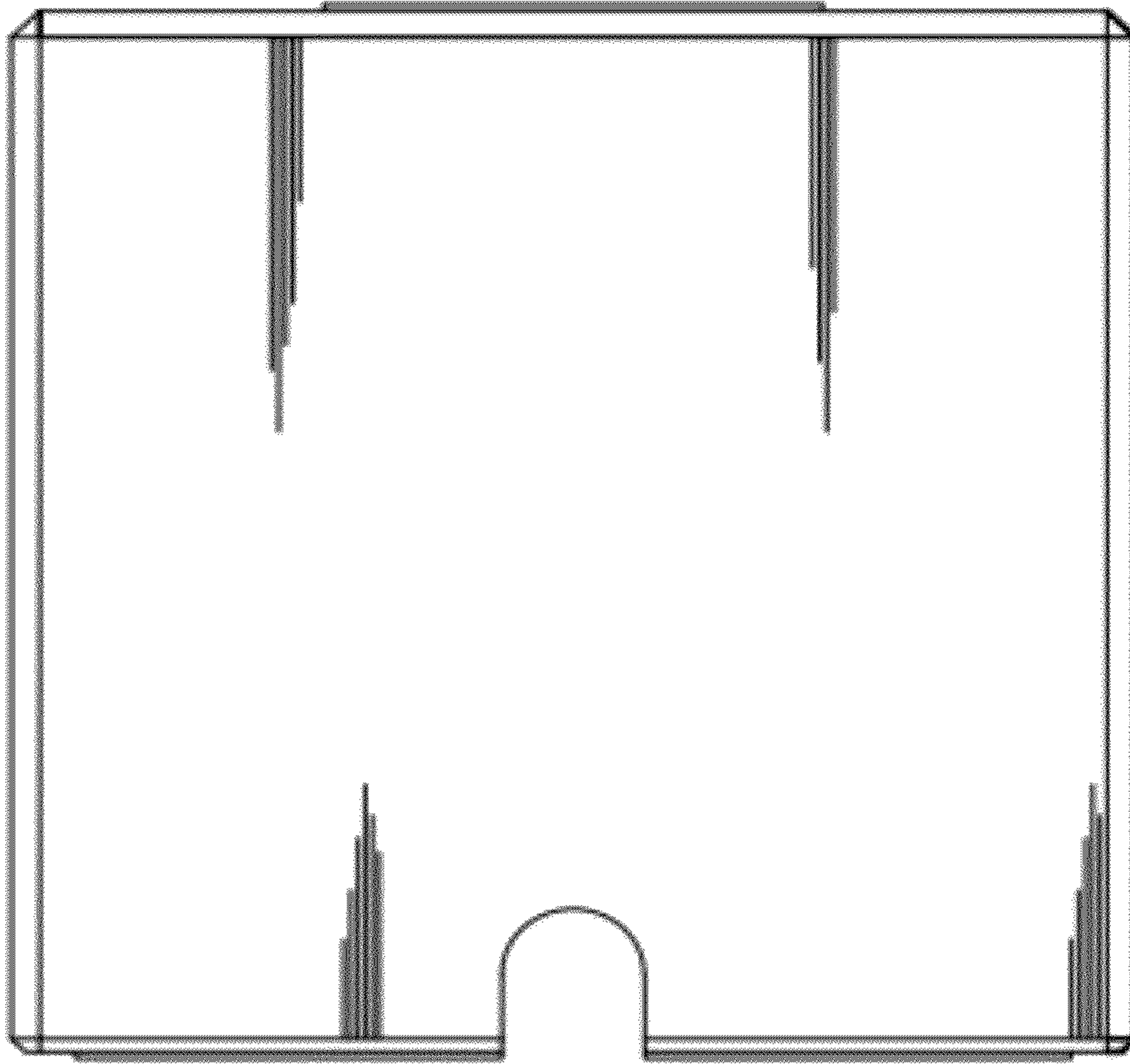


FIG. 2

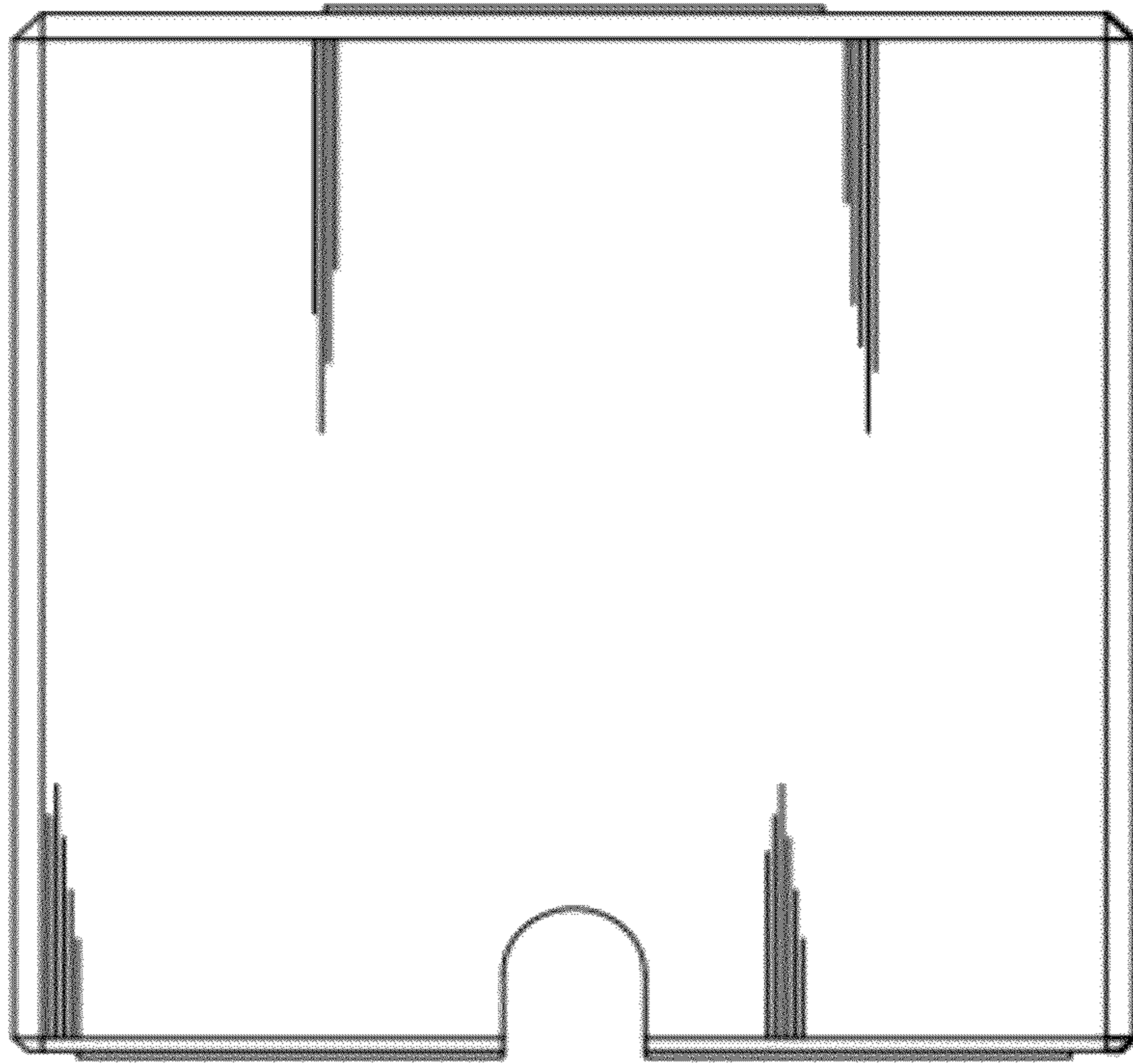


FIG. 3

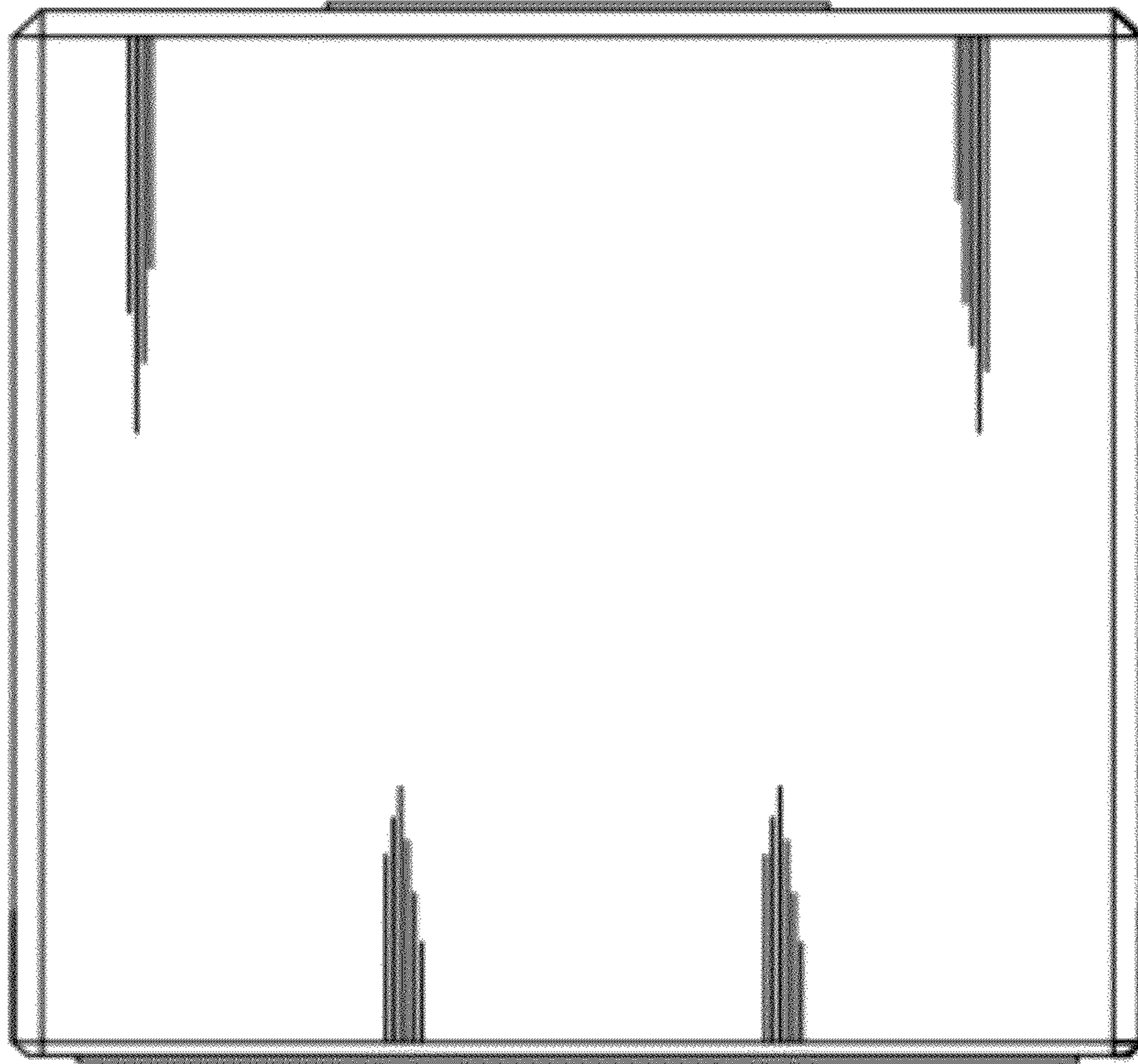


FIG. 4

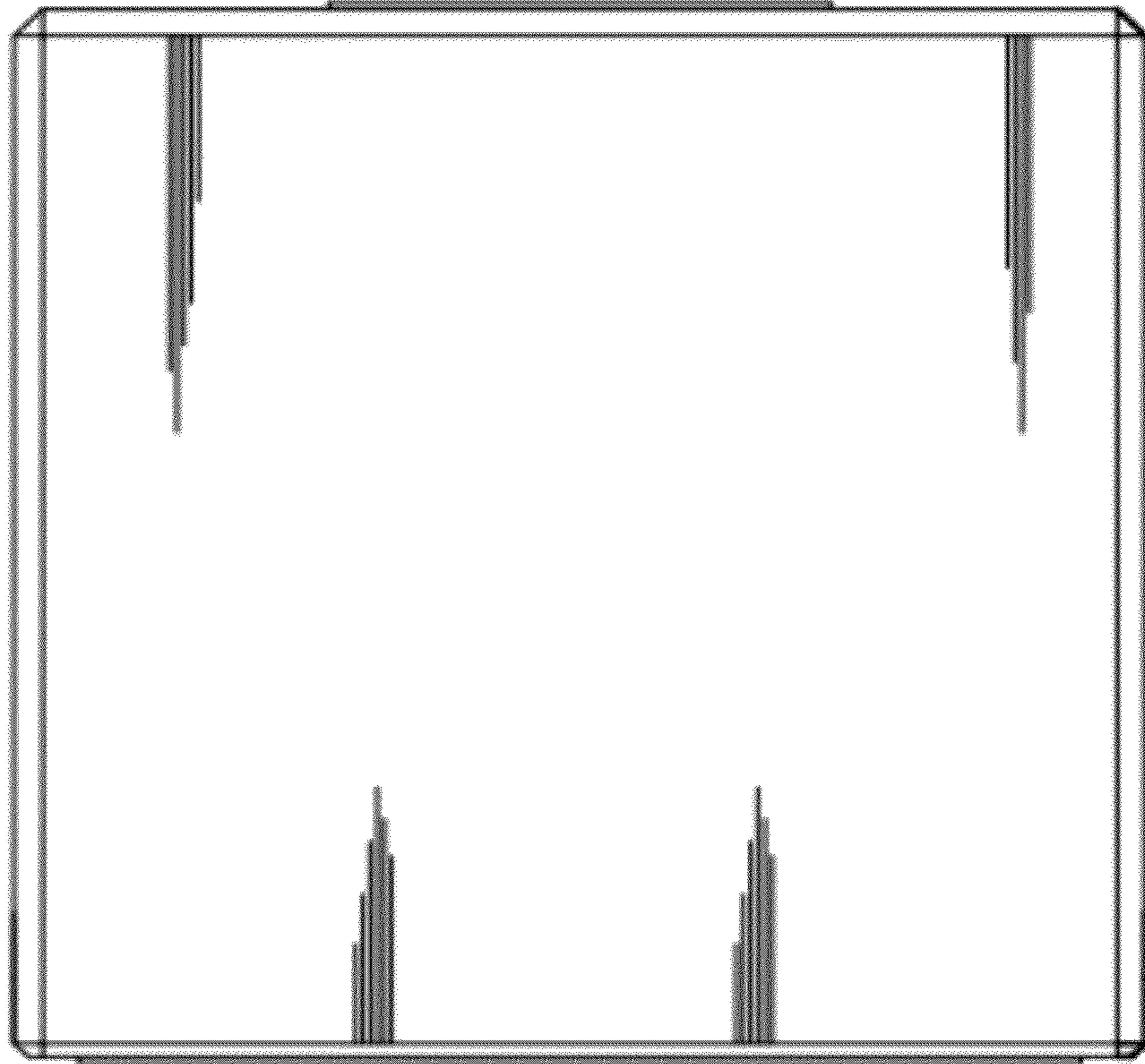


FIG. 5

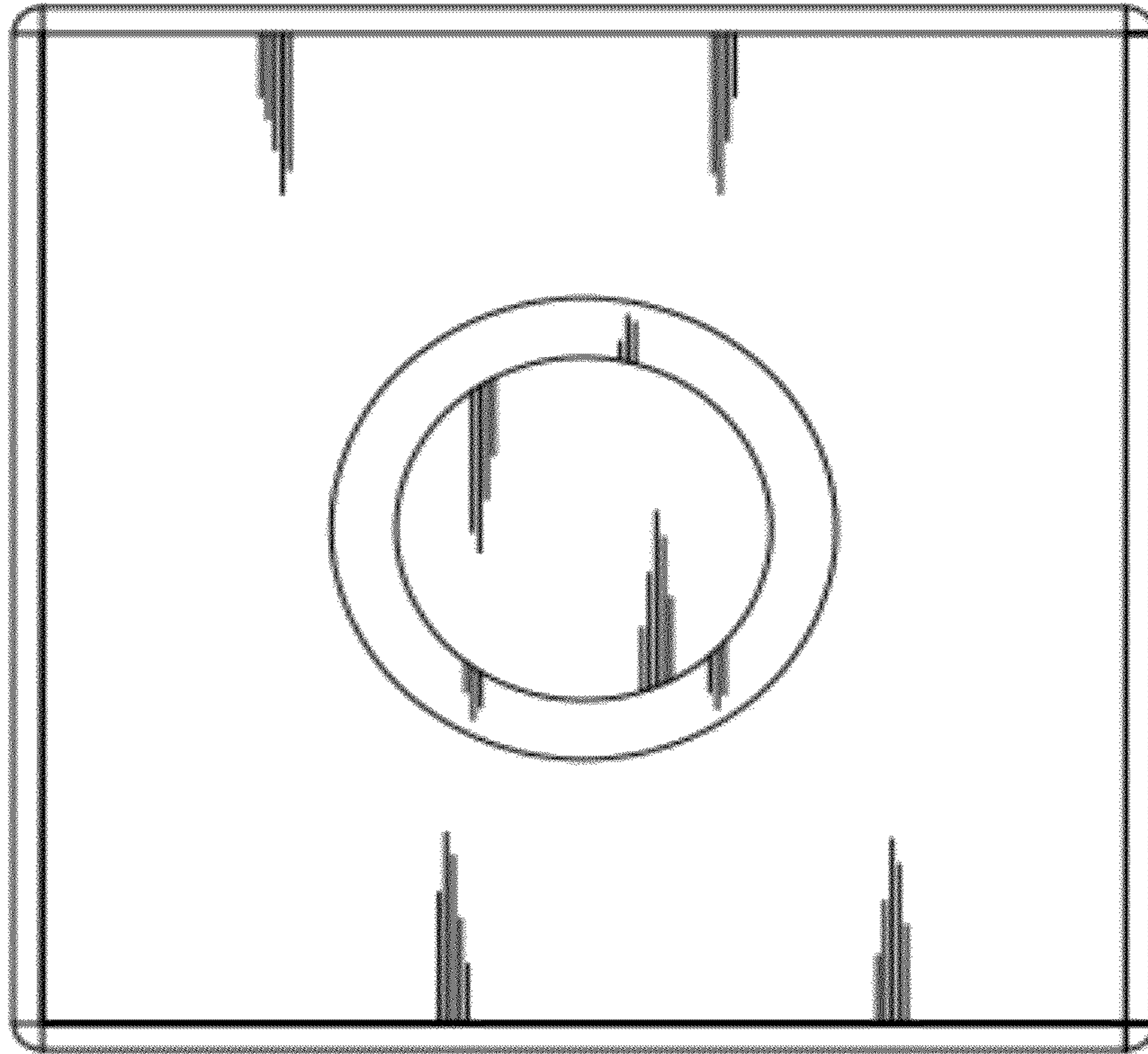


FIG. 6

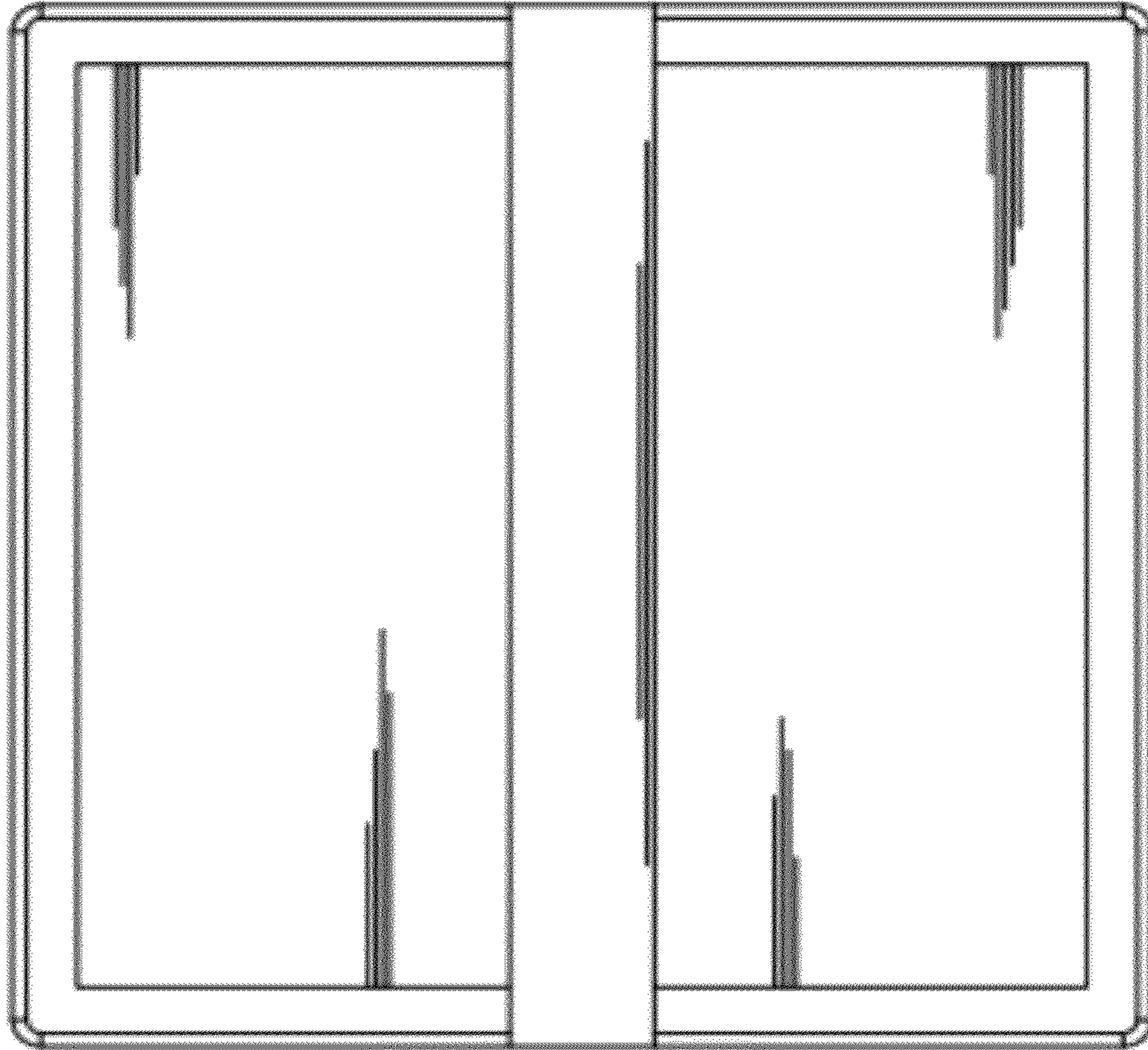


FIG. 7