

US00D662139S

(12) **United States Design Patent**
Chuang

(10) **Patent No.:** **US D662,139 S**
(45) **Date of Patent:** **** Jun. 19, 2012**

(54) **PAPER PUNCH**

(75) Inventor: **Chih-Wei Chuang**, Edison, NJ (US)

(73) Assignee: **Officemate International Corp.**,
Edison, NJ (US)

(**) Term: **14 Years**

(21) Appl. No.: **29/374,628**

(22) Filed: **Sep. 13, 2011**

(51) **LOC (9) Cl.** **19-02**

(52) **U.S. Cl.** **D19/72**

(58) **Field of Classification Search** D8/98;
D19/72, 73; 30/358; 83/167, 549, 588, 613,
83/618, 620, 633, 684, 686

See application file for complete search history.

(56) **References Cited**

U.S. PATENT DOCUMENTS

D321,907	S	*	11/1991	Matsuno	D19/72
D401,131	S	*	11/1998	Miyamoto et al.	D8/98
6,688,199	B2	*	2/2004	Godston et al.	83/167
7,584,878	B2	*	9/2009	Kandasamy	227/120
D611,993	S	*	3/2010	Lynen et al.	D19/72

2002/0020272	A1	*	2/2002	Godston et al.	83/620
2004/0069110	A1	*	4/2004	Godston et al.	83/627
2007/0022859	A1	*	2/2007	Godston et al.	83/627

* cited by examiner

Primary Examiner — Elizabeth Albert

(74) *Attorney, Agent, or Firm* — Daniel Kirshner

(57) **CLAIM**

The ornamental design for a paper punch, as shown and described.

DESCRIPTION

FIG. 1 is a front perspective view of a paper punch showing the new design;

FIG. 2 is another front perspective view thereof;

FIG. 3 is a left side view thereof;

FIG. 4 is a right side view thereof;

FIG. 5 is a front thereof;

FIG. 6 is a rear thereof;

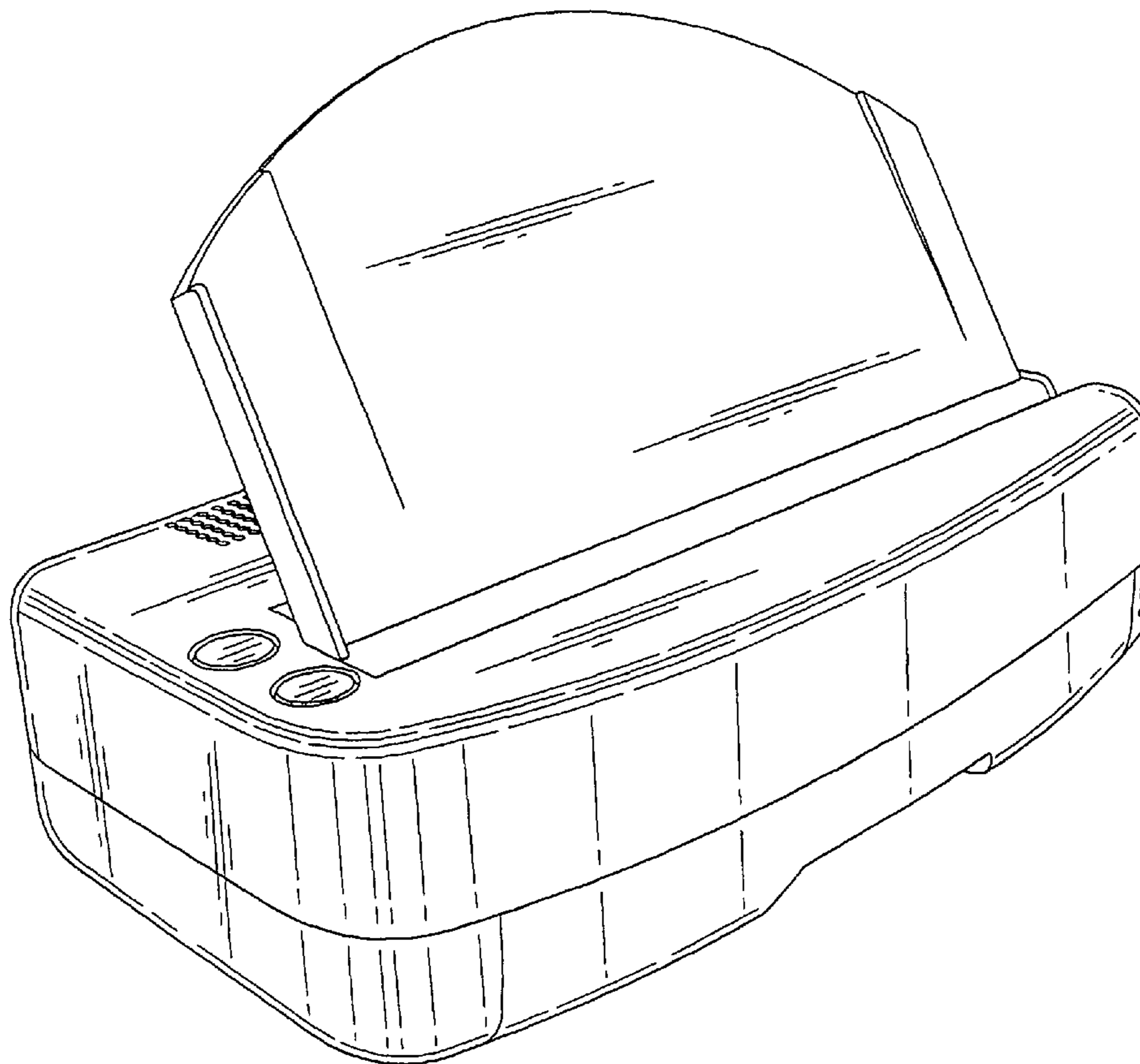
FIG. 7 is a top view thereof;

FIG. 8 is a bottom view thereof; and,

FIG. 9 is front perspective view thereof with the paper chip compartment detached.

The broken lines showing a surface on the front view of FIG. 5 and a portion of the bottom view of FIG. 8 are included for the purpose of showing portions of the paper punch that form no part of the claimed design.

1 Claim, 9 Drawing Sheets



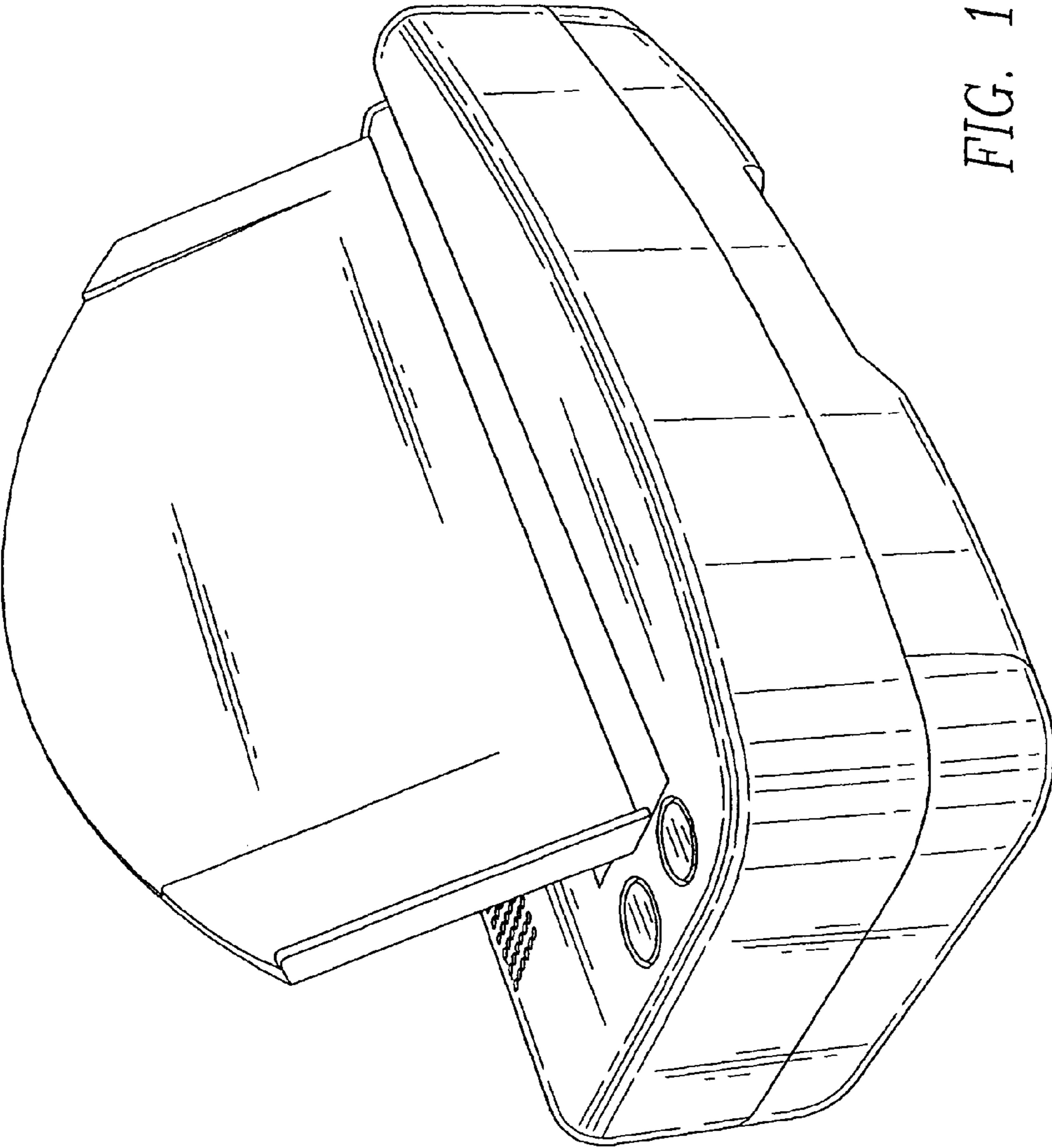


FIG. 1

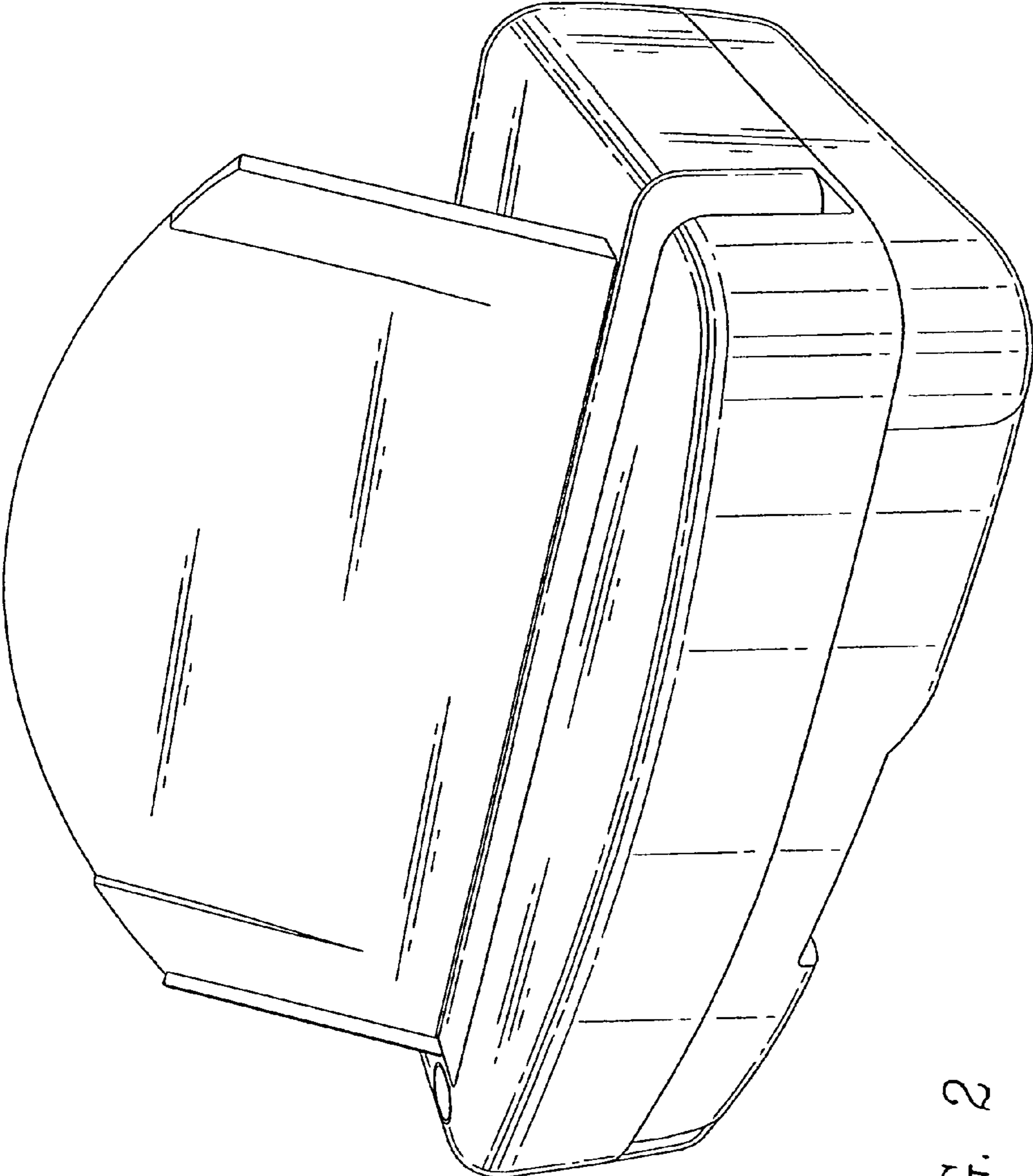


FIG. 2

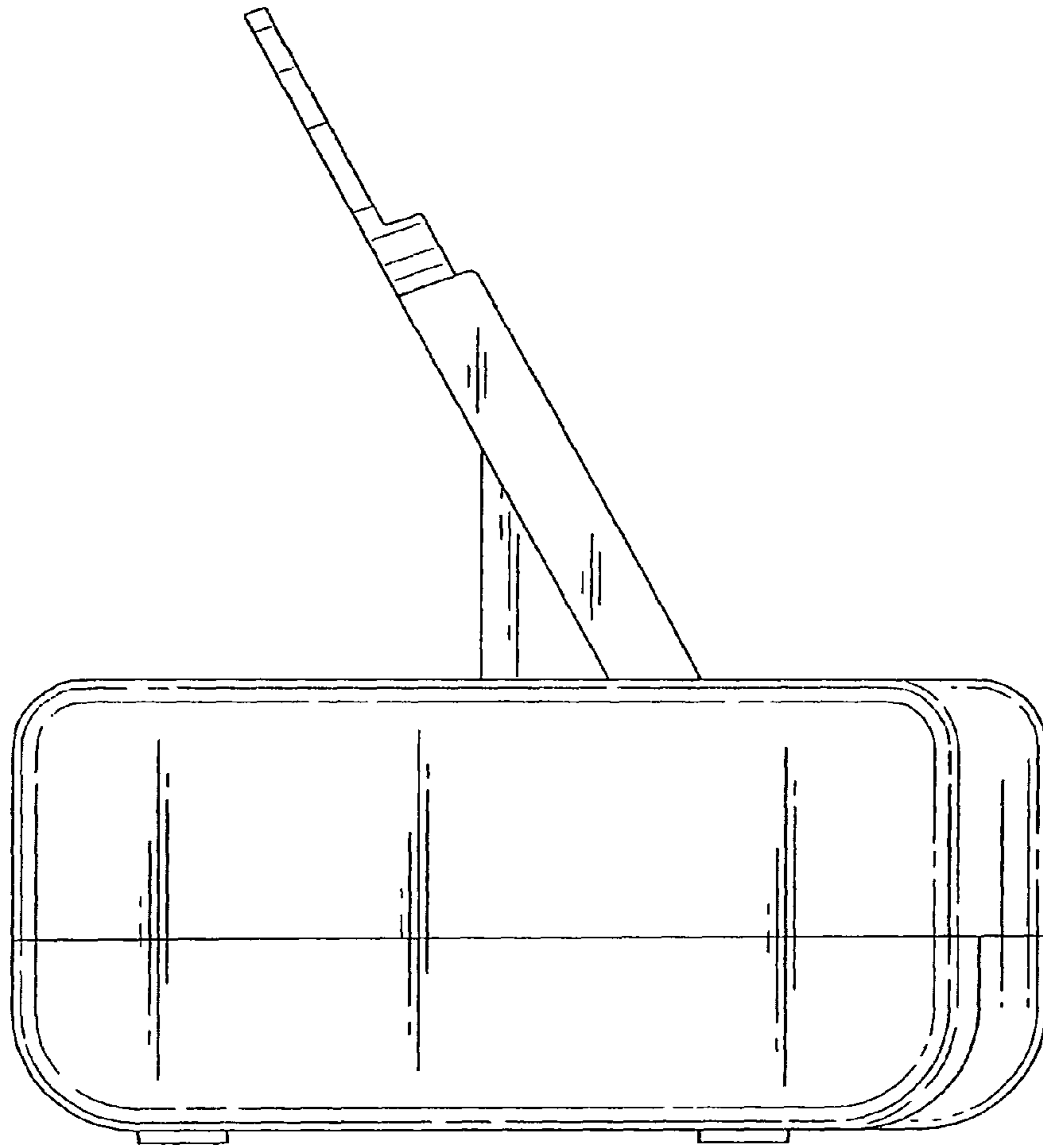


FIG. 3

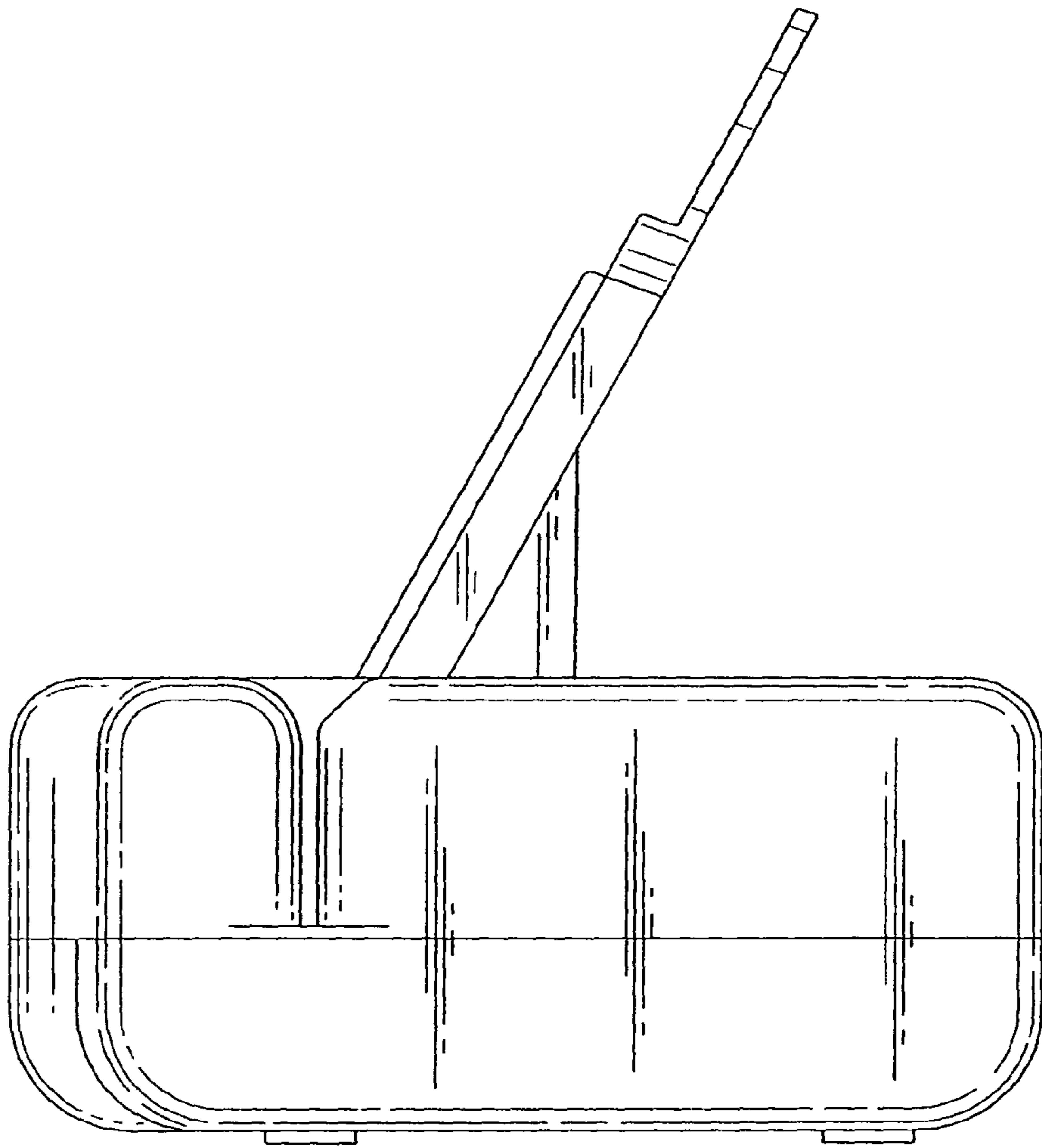


FIG. 4

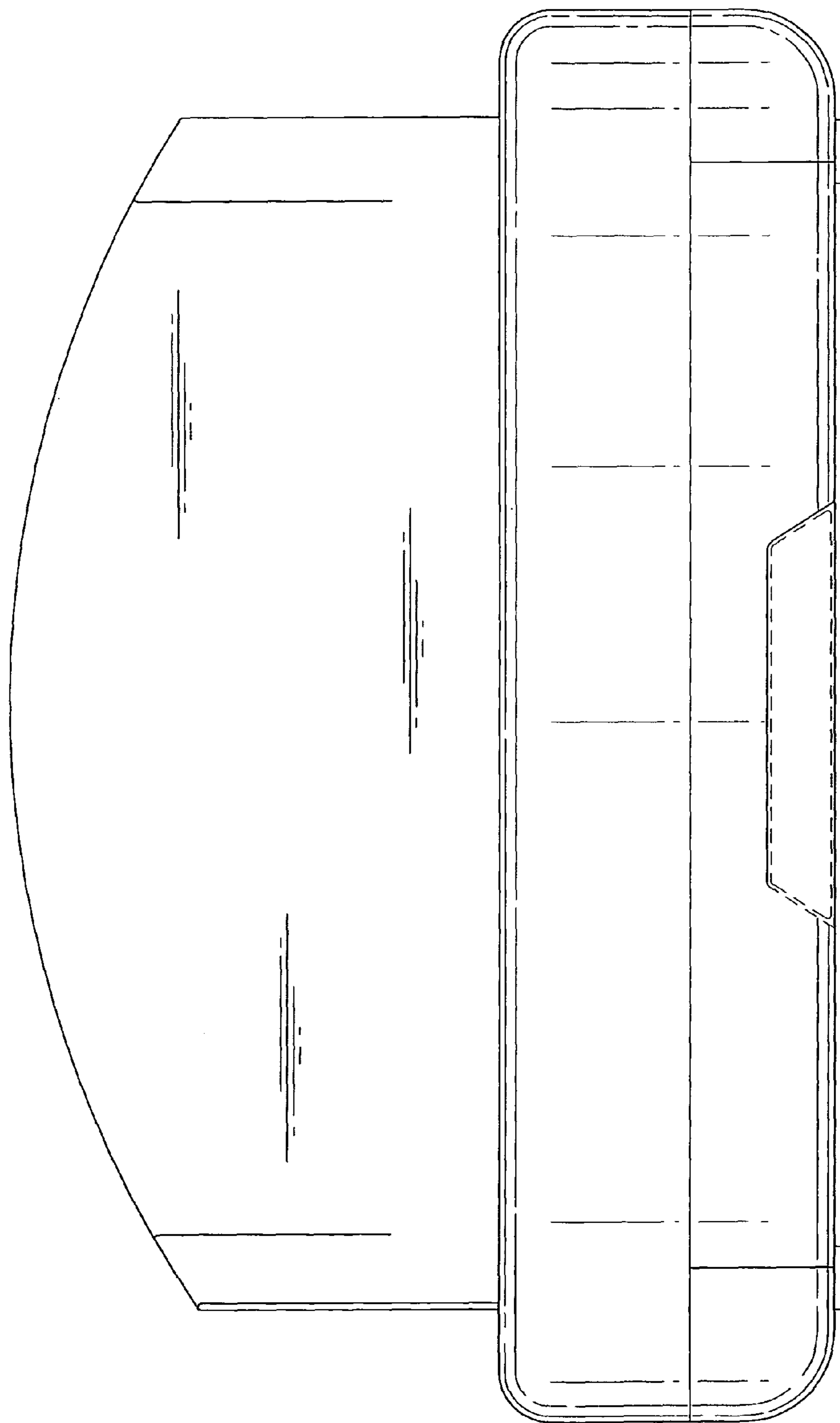


FIG. 5

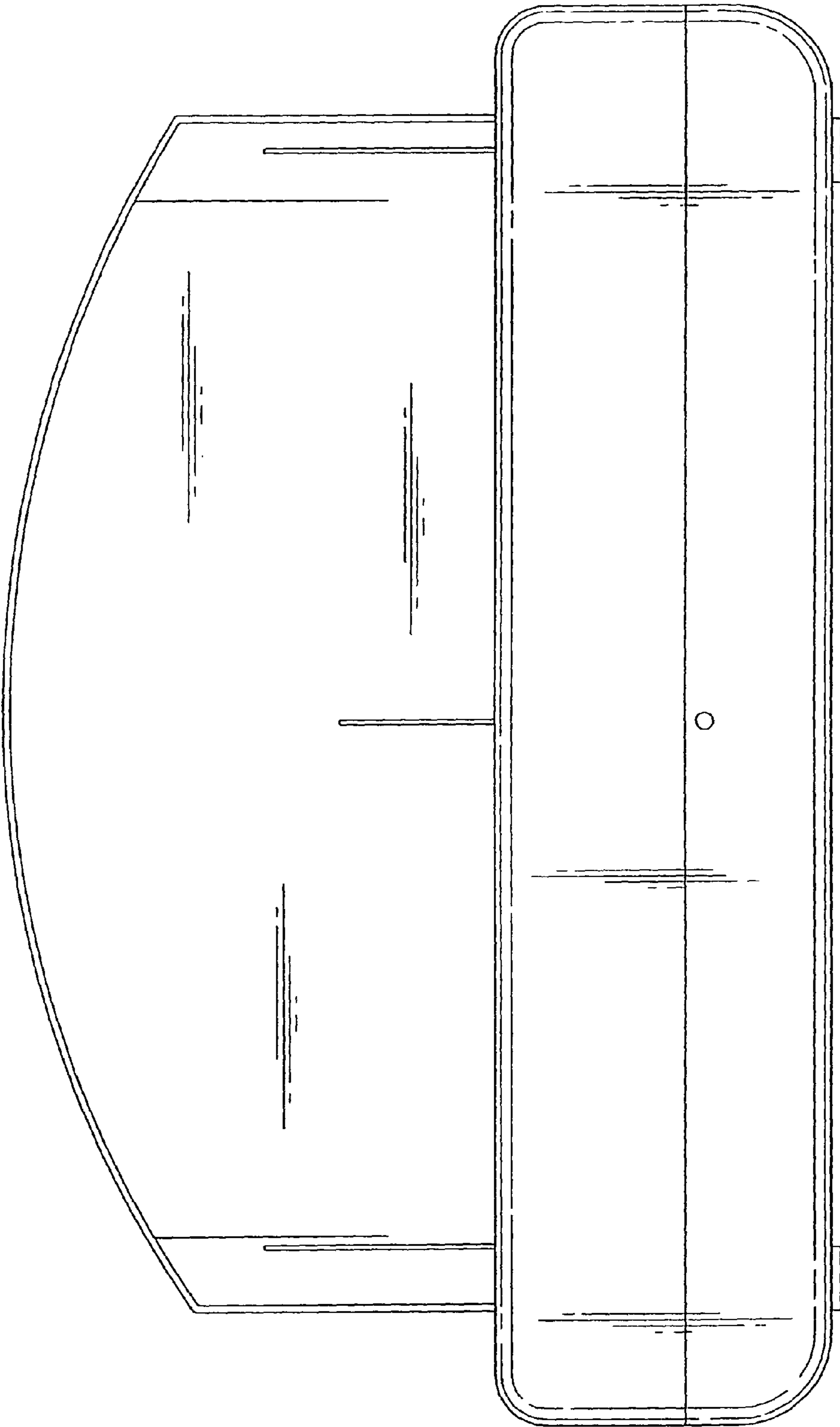


FIG. 6

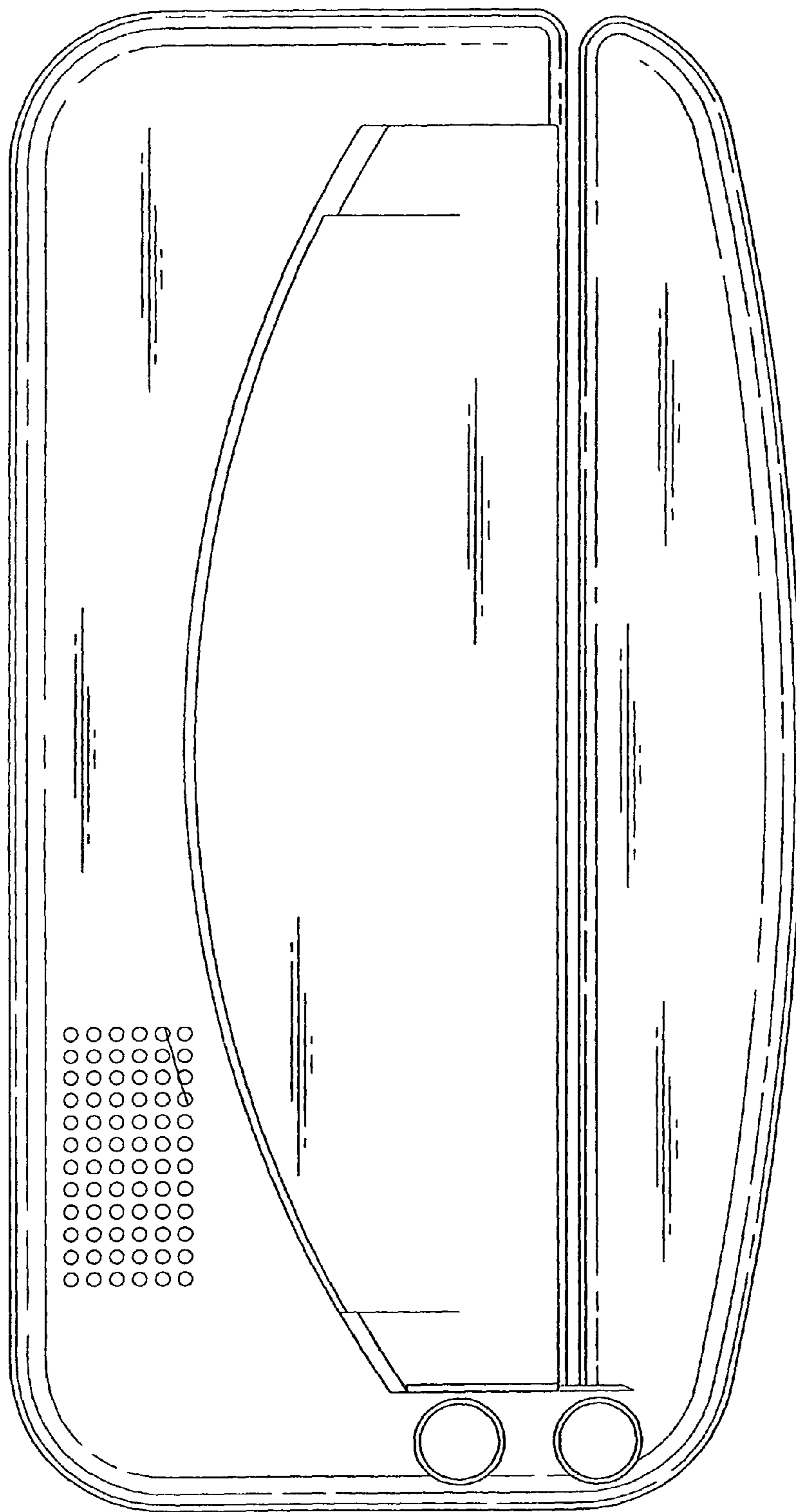


FIG. 7

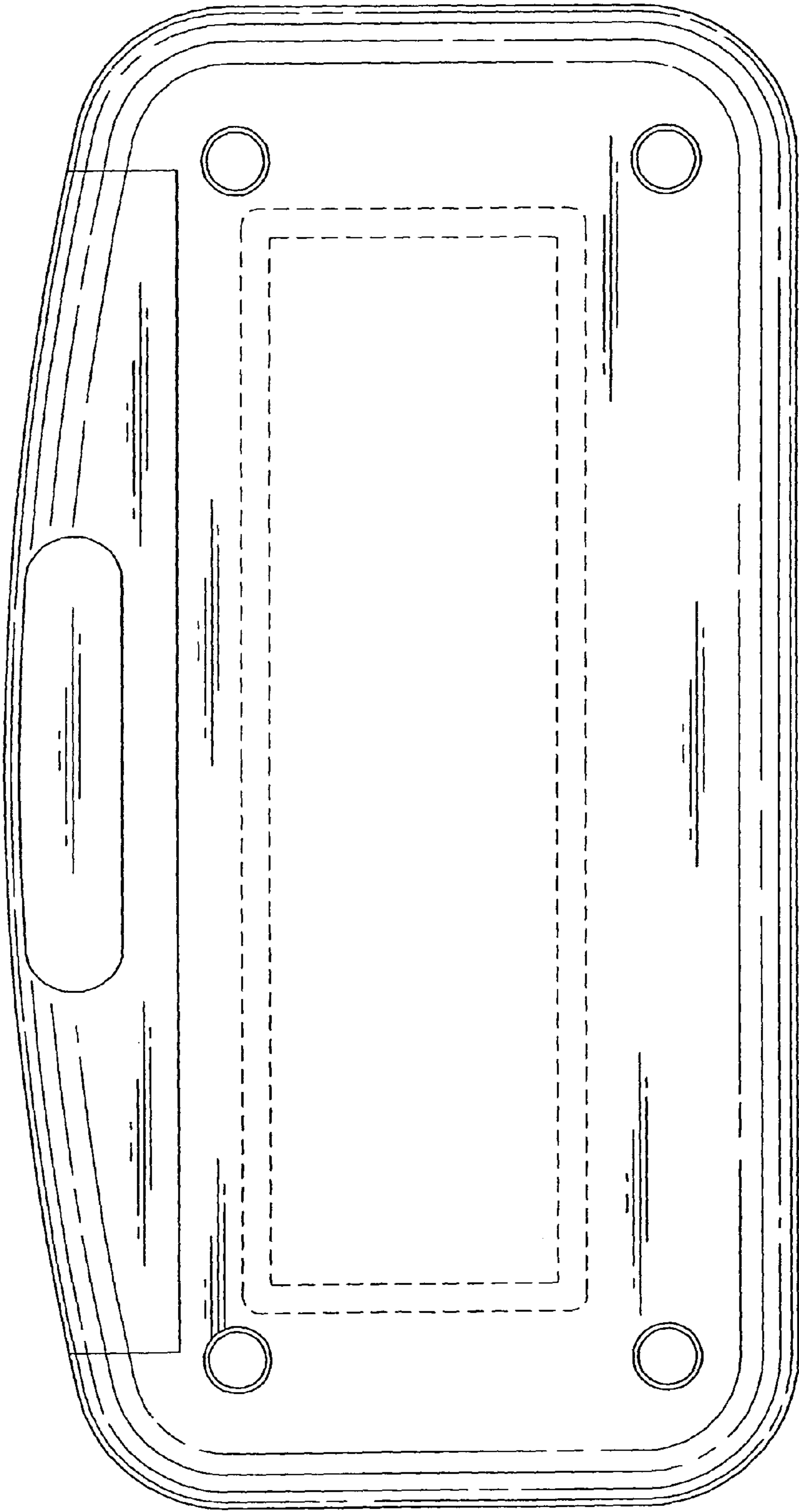


FIG. 8

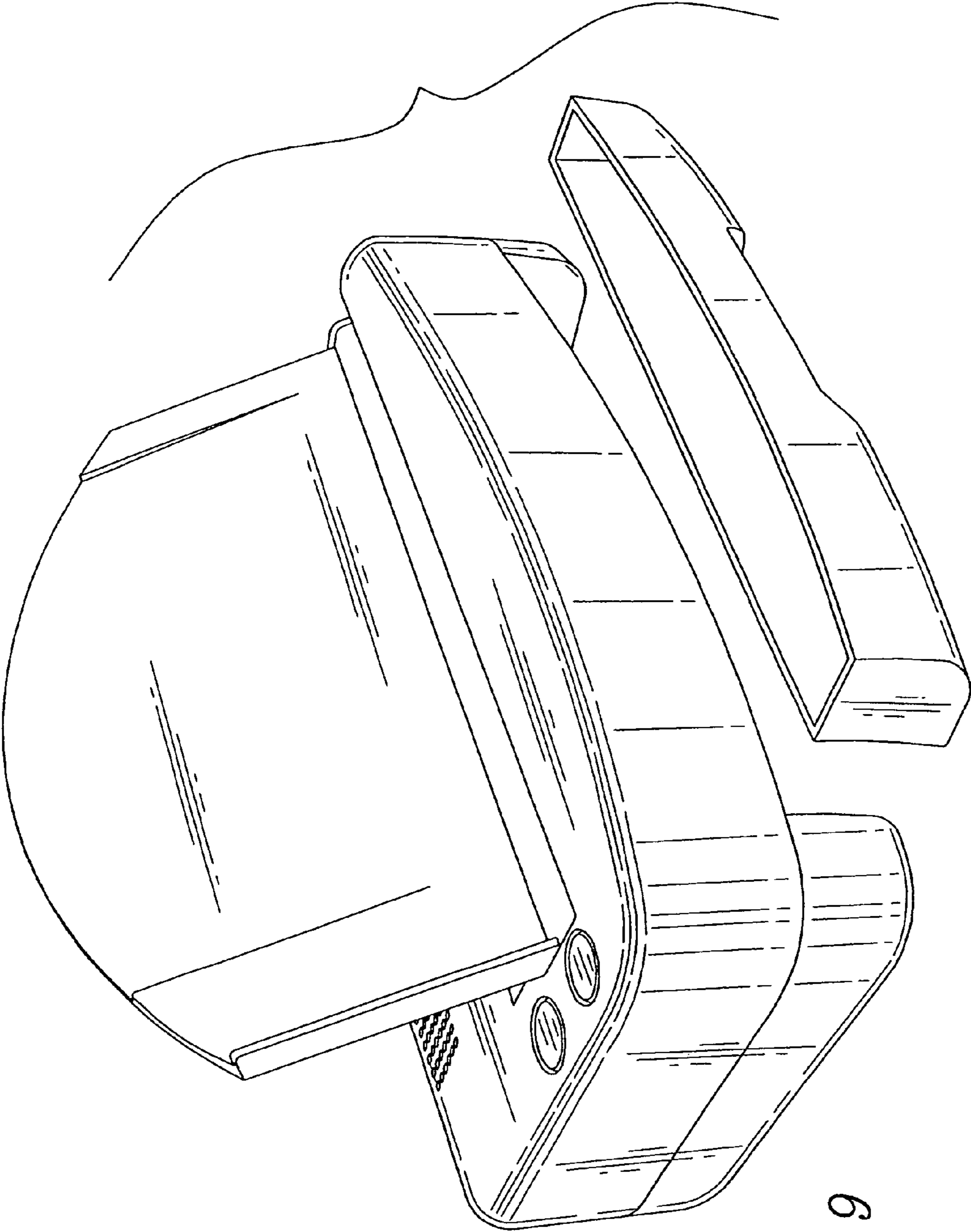


FIG. 9