

US00D662138S

(12) **United States Design Patent**  
**Chuang et al.**

(10) **Patent No.:** **US D662,138 S**  
(45) **Date of Patent:** **\*\* Jun. 19, 2012**

(54) **PAPER PUNCH**

(75) Inventors: **Chih-Wei Chuang**, Edison, NJ (US);  
**Jungkun Lee**, Secaucus, NJ (US)

(73) Assignee: **Officemate International Corp.**,  
Edison, NJ (US)

(\*\*) Term: **14 Years**

(21) Appl. No.: **29/374,627**

(22) Filed: **Sep. 13, 2011**

(51) **LOC (9) Cl.** ..... **19-02**

(52) **U.S. Cl.** ..... **D19/72**

(58) **Field of Classification Search** ..... D8/98;  
D19/72, 73; 30/358; 83/167, 549, 588, 613,  
83/618, 620, 633, 684, 686

See application file for complete search history.

(56) **References Cited**

**U.S. PATENT DOCUMENTS**

D101,889	S	*	11/1936	Rix	.....	D8/98
2,900,958	A	*	8/1959	Johnson	.....	144/28.71
D237,610	S	*	11/1975	Macowski	.....	D19/73
D265,323	S	*	7/1982	Macowski	.....	D19/73
D298,840	S	*	12/1988	Macowski	.....	D19/73
D306,551	S	*	3/1990	Yuen	.....	D8/104
D321,907	S	*	11/1991	Matsuno	.....	D19/72
D401,131	S	*	11/1998	Miyamoto et al.	.....	D8/98
D441,796	S	*	5/2001	Chan	.....	D19/73
6,547,119	B2	*	4/2003	Huang	.....	227/7
D475,905	S	*	6/2003	Kroger	.....	D8/50
D512,461	S	*	12/2005	Tsuruha	.....	D19/73
D512,890	S	*	12/2005	Harris	.....	D8/50

6,983,877	B2	*	1/2006	Ko	.....	234/102
7,299,958	B2	*	11/2007	Adams et al.	.....	227/5
7,311,235	B2	*	12/2007	Aoki	.....	227/7
7,571,537	B2	*	8/2009	Adams et al.	.....	29/715
D611,993	S	*	3/2010	Lynen et al.	.....	D19/72
D642,215	S	*	7/2011	Racamier et al.	.....	D19/73
2003/0160094	A1	*	8/2003	Ko	.....	234/102
2006/0150790	A1	*	7/2006	Ko	.....	83/30
2010/0294102	A1	*	11/2010	Henkemeyer et al.	.....	83/691

\* cited by examiner

*Primary Examiner* — Elizabeth Albert

(74) *Attorney, Agent, or Firm* — Daniel Kirshner

(57) **CLAIM**

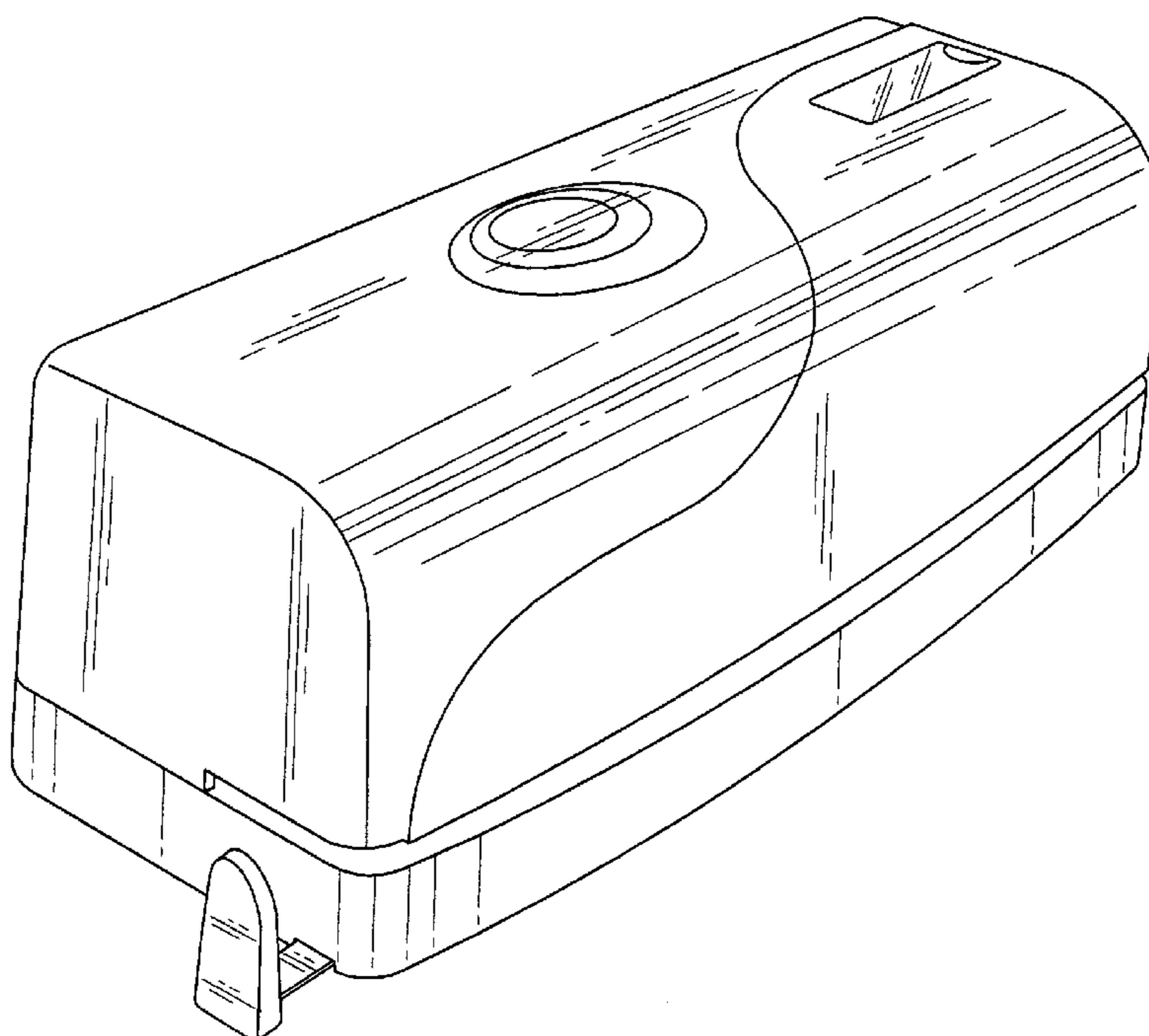
The ornamental design for a paper punch, as shown and described.

**DESCRIPTION**

FIG. 1 is a front perspective view of a paper punch showing the new design;  
FIG. 2 is a rear perspective view thereof;  
FIG. 3 is a front view thereof;  
FIG. 4 is a rear view thereof;  
FIG. 5 is a left side thereof;  
FIG. 6 is a right side thereof;  
FIG. 7 is a top view thereof; and,  
FIG. 8 is a bottom view thereof.

The broken lines showing features and surfaces in the bottom view of FIG. 8 are included for the purpose of showing portions that form no part of the claimed design.

**1 Claim, 8 Drawing Sheets**



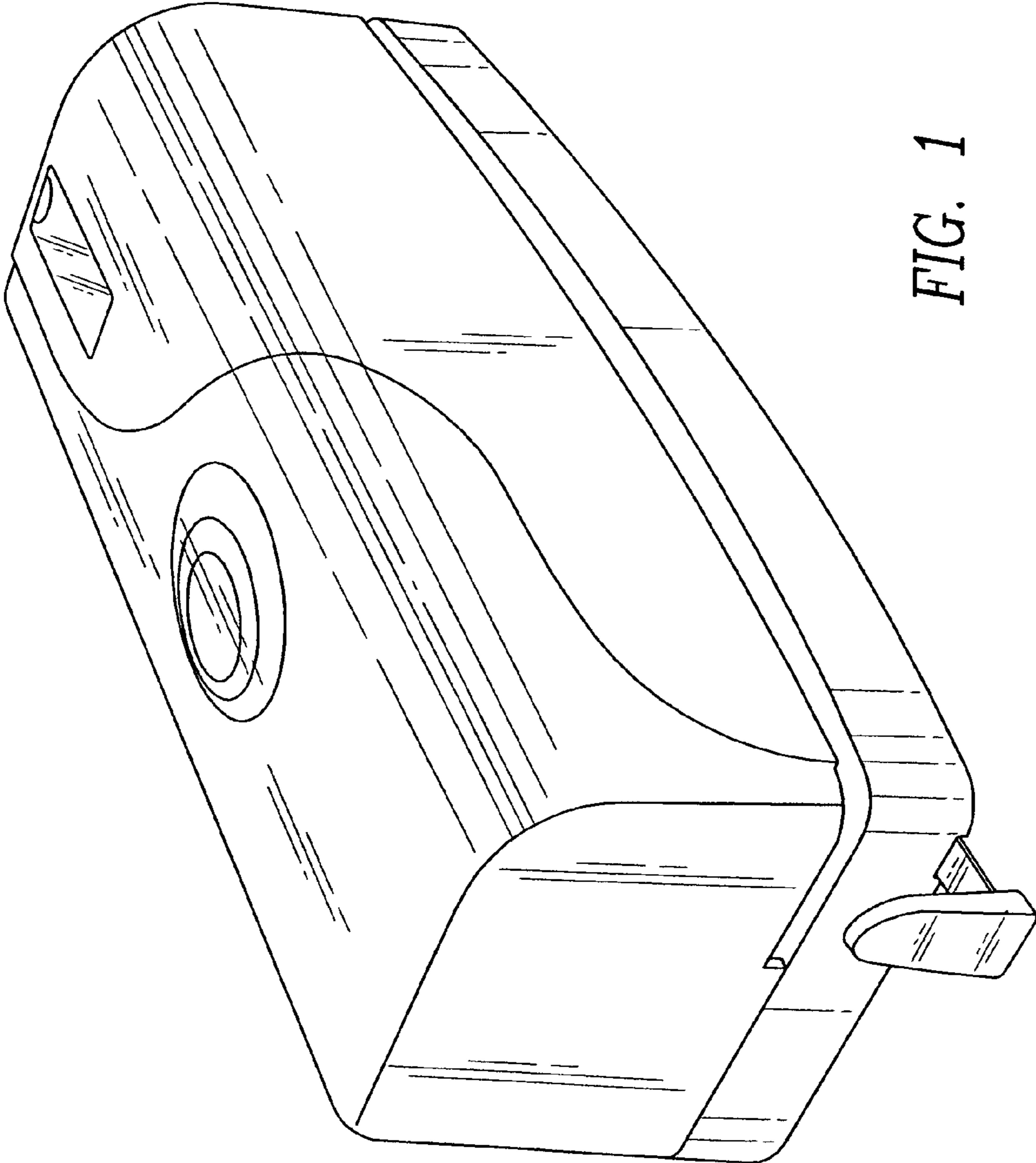
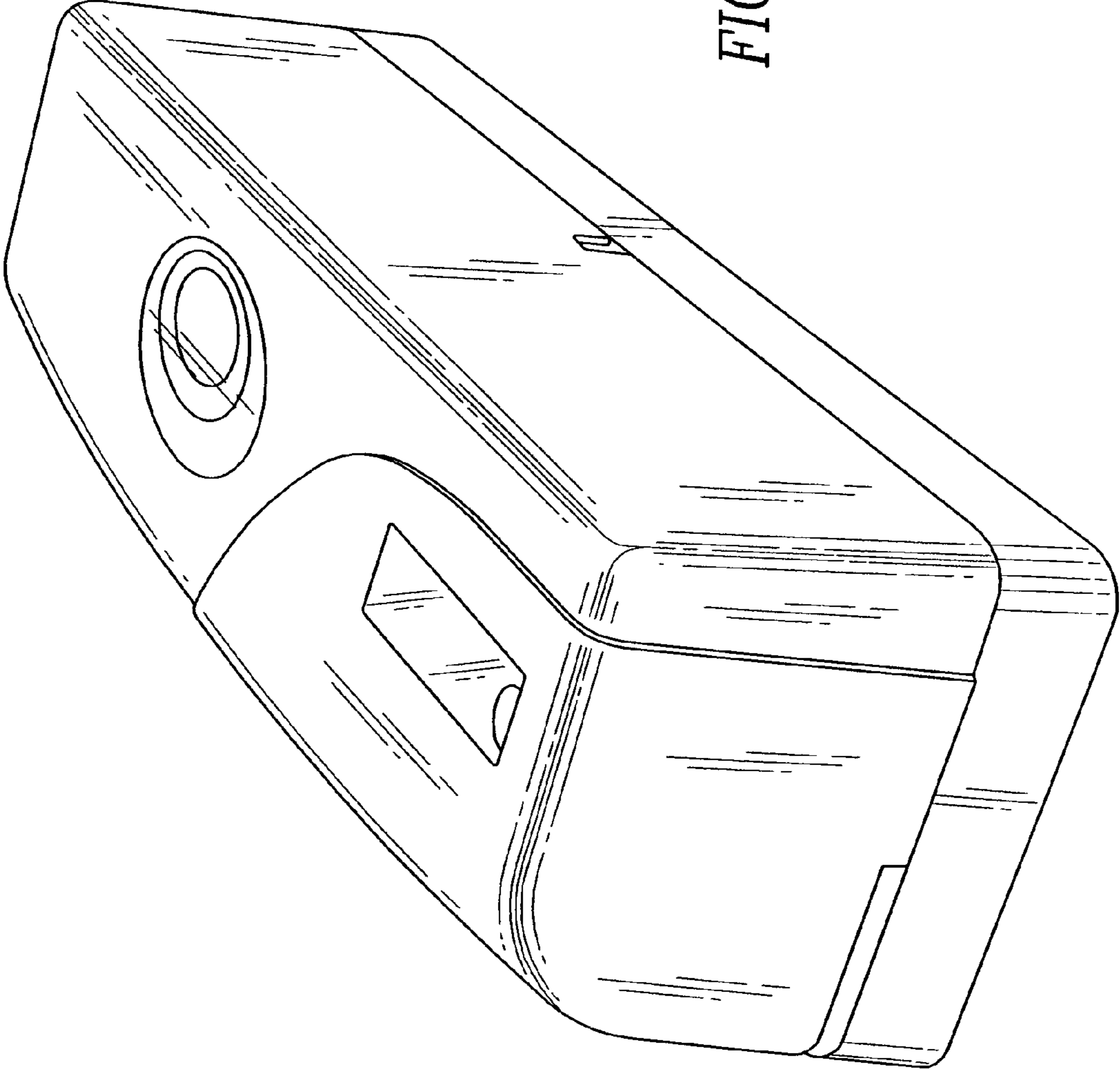


FIG. 1

FIG. 2



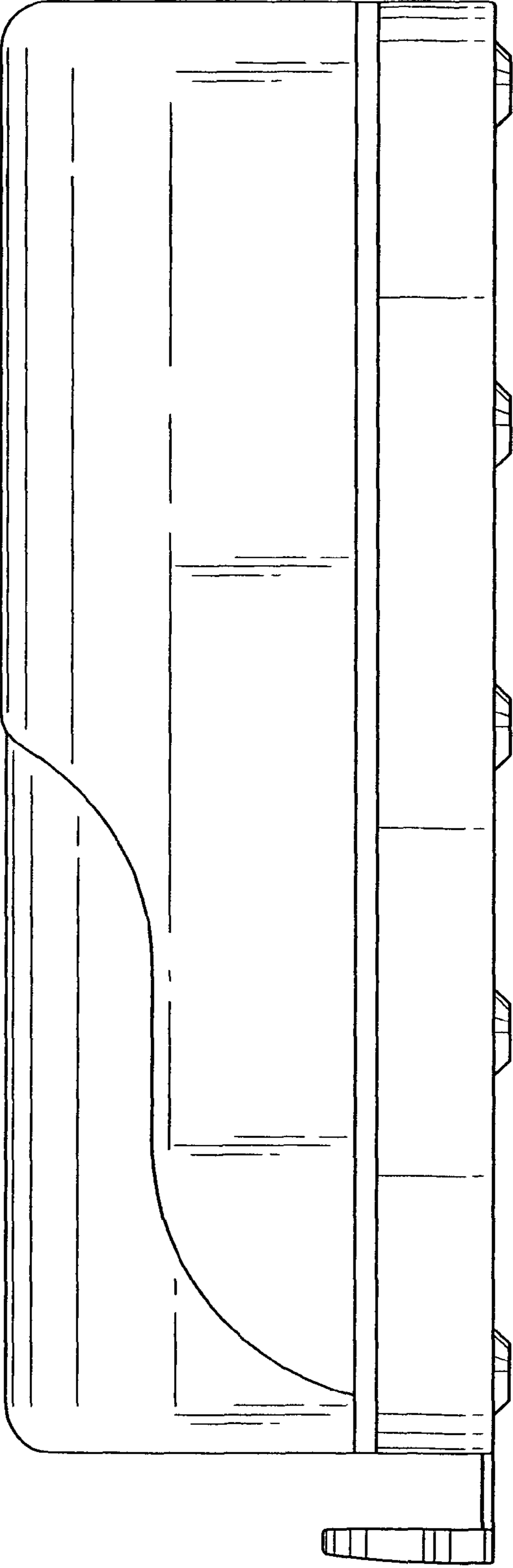


FIG. 3

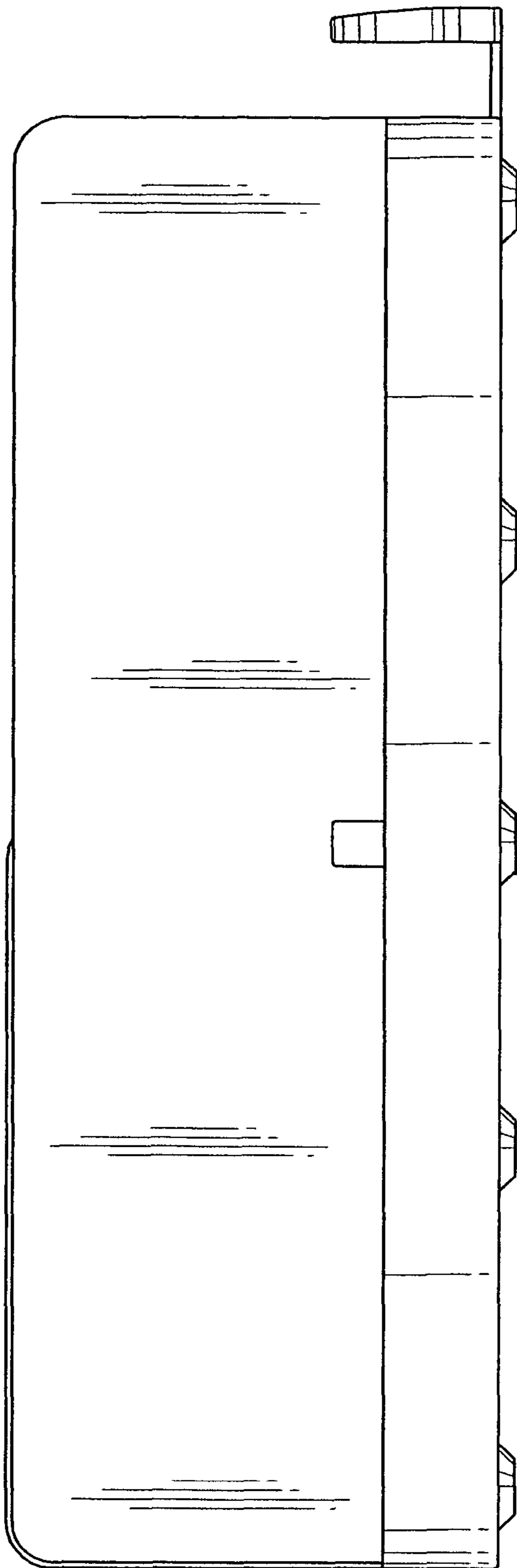
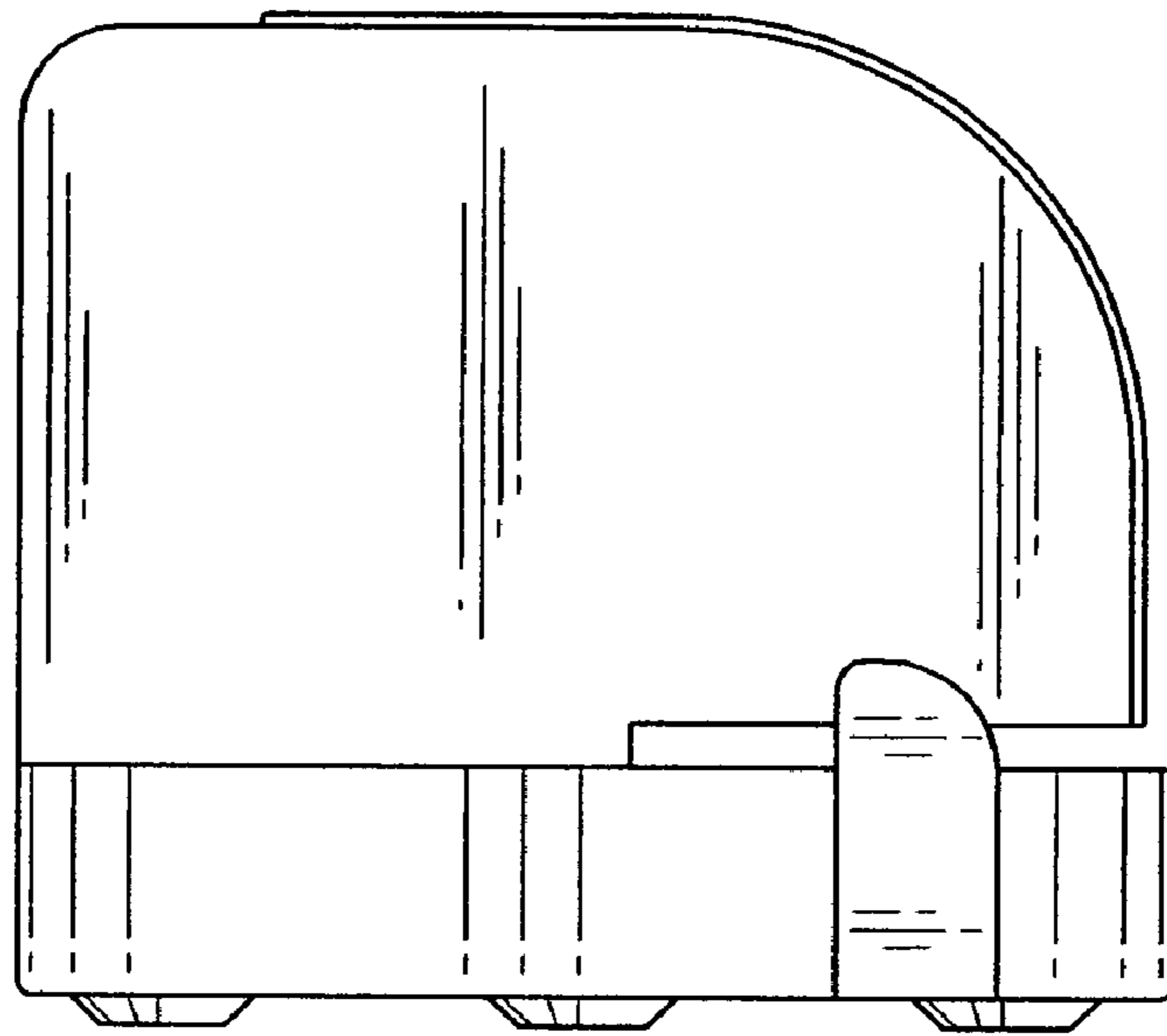
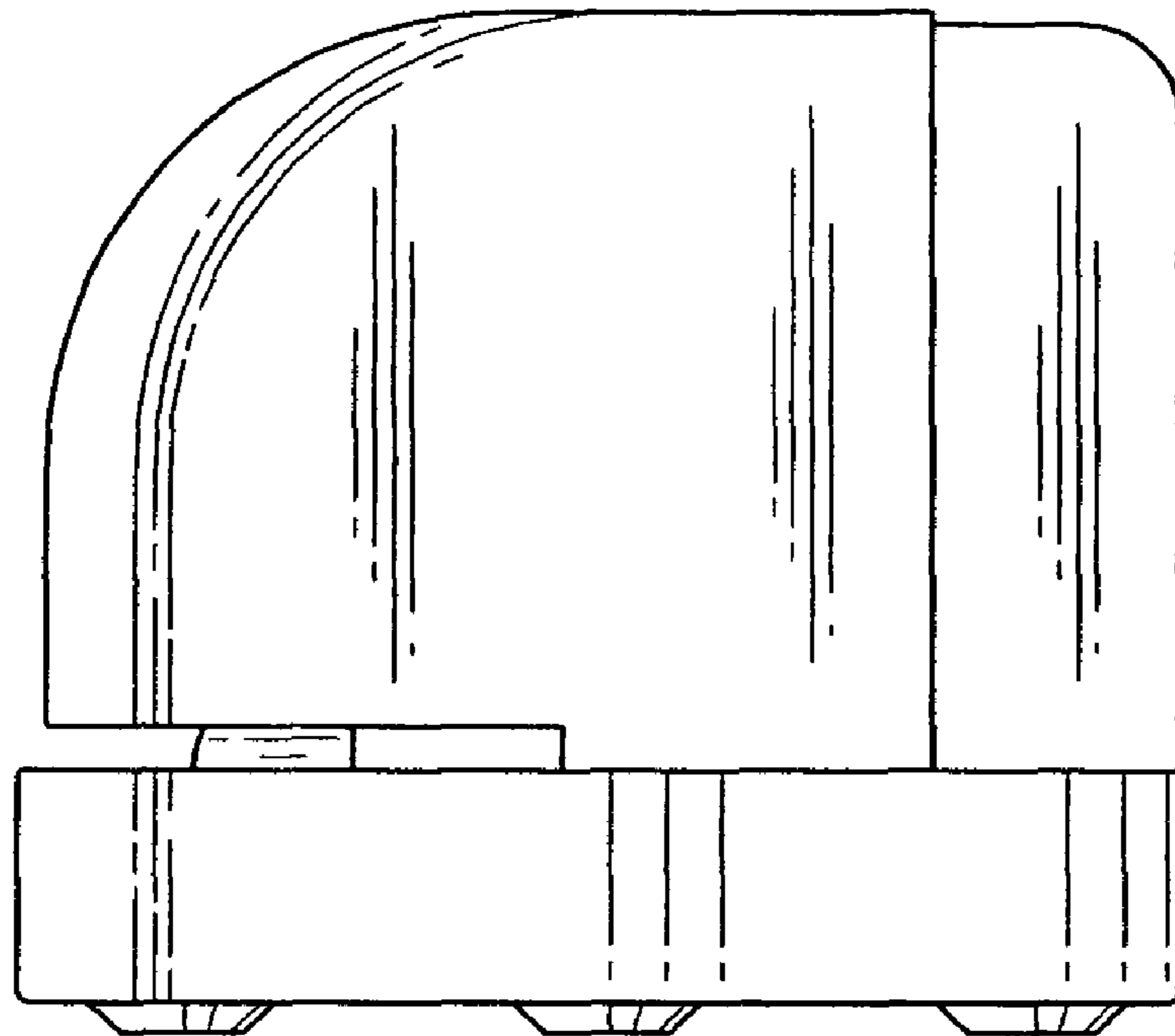


FIG. 4



*FIG. 5*



*FIG. 6*

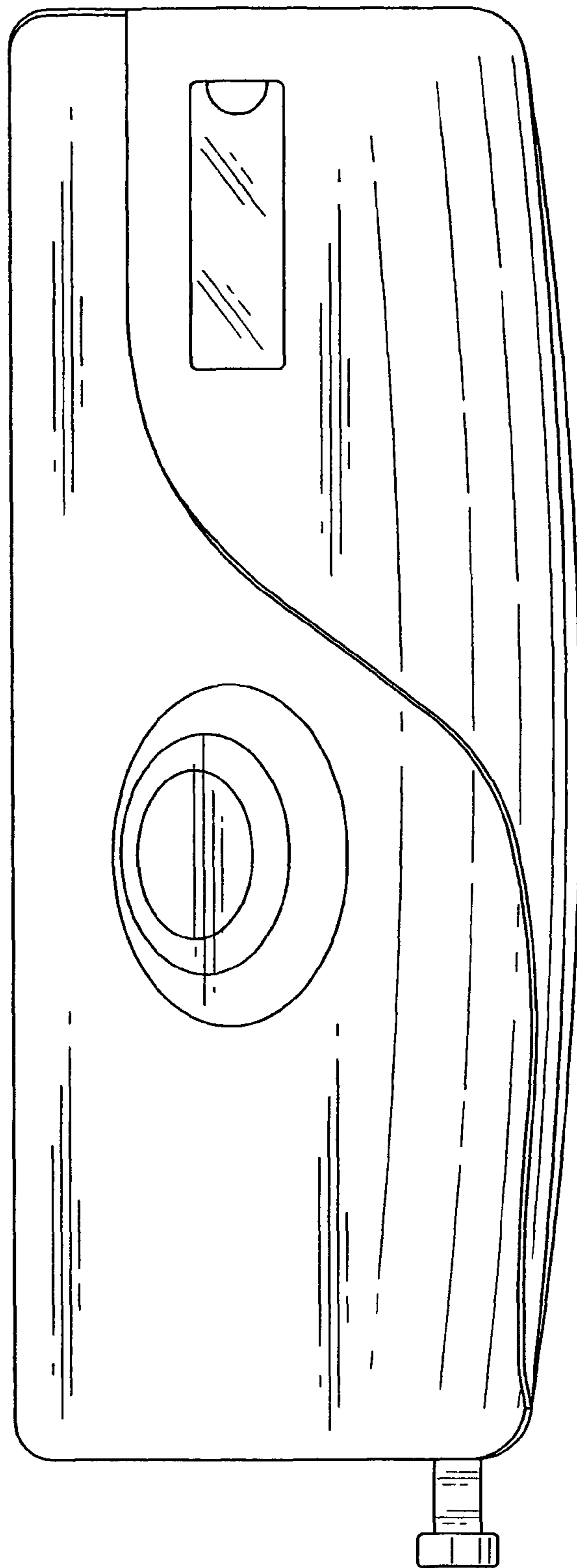


FIG. 7



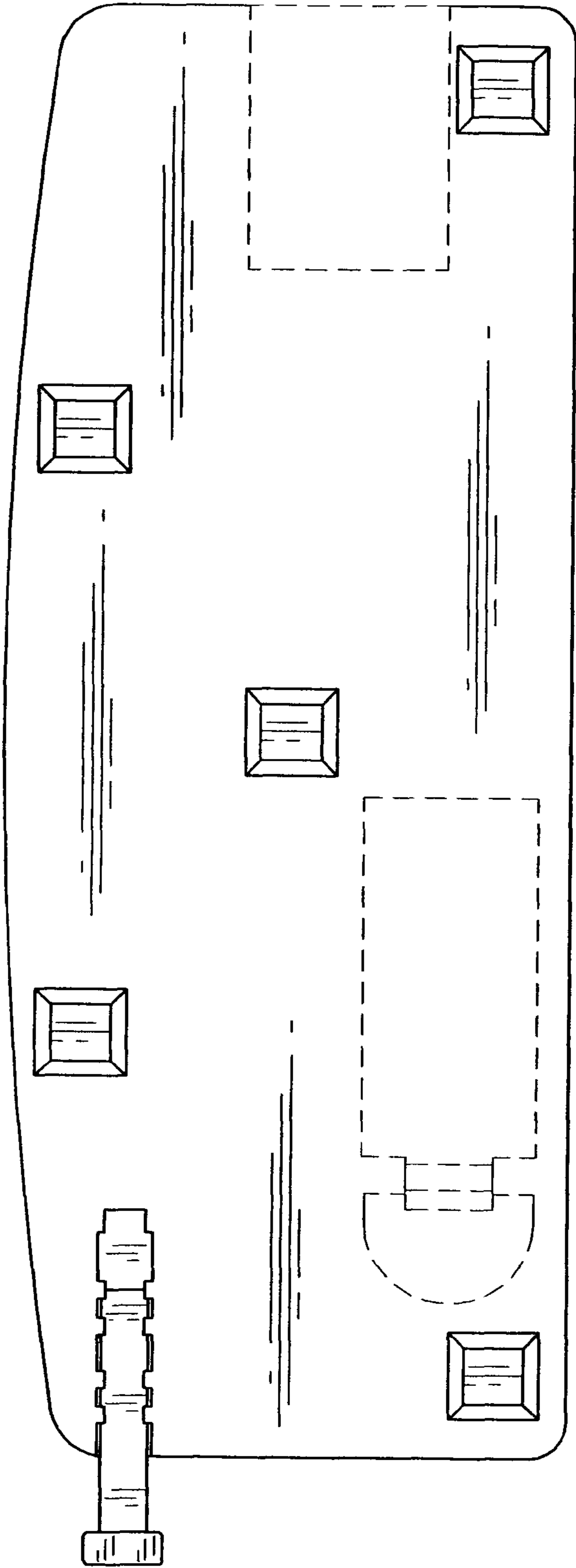


FIG. 8