



US00D662137S

(12) **United States Design Patent**
Chuang et al.

(10) **Patent No.:** **US D662,137 S**
(45) **Date of Patent:** **** Jun. 19, 2012**

(54) **PAPER PUNCH**

(75) Inventors: **Chih-Wei Chuang**, Edison, NJ (US);
Jungkun Lee, Secaucus, NJ (US)

(73) Assignee: **Officemate International Corp.**,
Edison, NJ (US)

(**) Term: **14 Years**

(21) Appl. No.: **29/374,626**

(22) Filed: **Sep. 13, 2011**

(51) **LOC (9) Cl.** **19-02**

(52) **U.S. Cl.** **D19/72**

(58) **Field of Classification Search** D8/98;
D19/72, 73; 30/358; 83/167, 549, 588, 613,
83/618, 620, 633, 684, 686

See application file for complete search history.

(56) **References Cited**

U.S. PATENT DOCUMENTS

4,499,805	A *	2/1985	Mori	83/468
D306,460	S *	3/1990	Mori	D19/72
D329,254	S *	9/1992	Mori	D19/72
5,178,049	A *	1/1993	Tsai-Hsin	83/164
5,664,473	A *	9/1997	Huang	83/620
D386,528	S *	11/1997	Mori	D19/72
D386,790	S *	11/1997	Mori	D19/72
D433,708	S *	11/2000	Chiang	D19/72
D485,304	S *	1/2004	Mori et al.	D19/72

D489,411	S *	5/2004	Chen	D19/72
D610,620	S *	2/2010	Racamier et al.	D19/72
D632,738	S *	2/2011	Bedol et al.	D19/72
2007/0234866	A1 *	10/2007	Kandasamy et al.	83/588

* cited by examiner

Primary Examiner — Elizabeth Albert

(74) *Attorney, Agent, or Firm* — Daniel Kirshner

(57) **CLAIM**

The ornamental design for a paper punch, as shown and described.

DESCRIPTION

FIG. 1 is a front perspective view of a paper punch showing the new design;

FIG. 2 is a front perspective view thereof;

FIG. 3 is a front view thereof;

FIG. 4 is a rear view thereof;

FIG. 5 is a right side thereof;

FIG. 6 is a left side thereof;

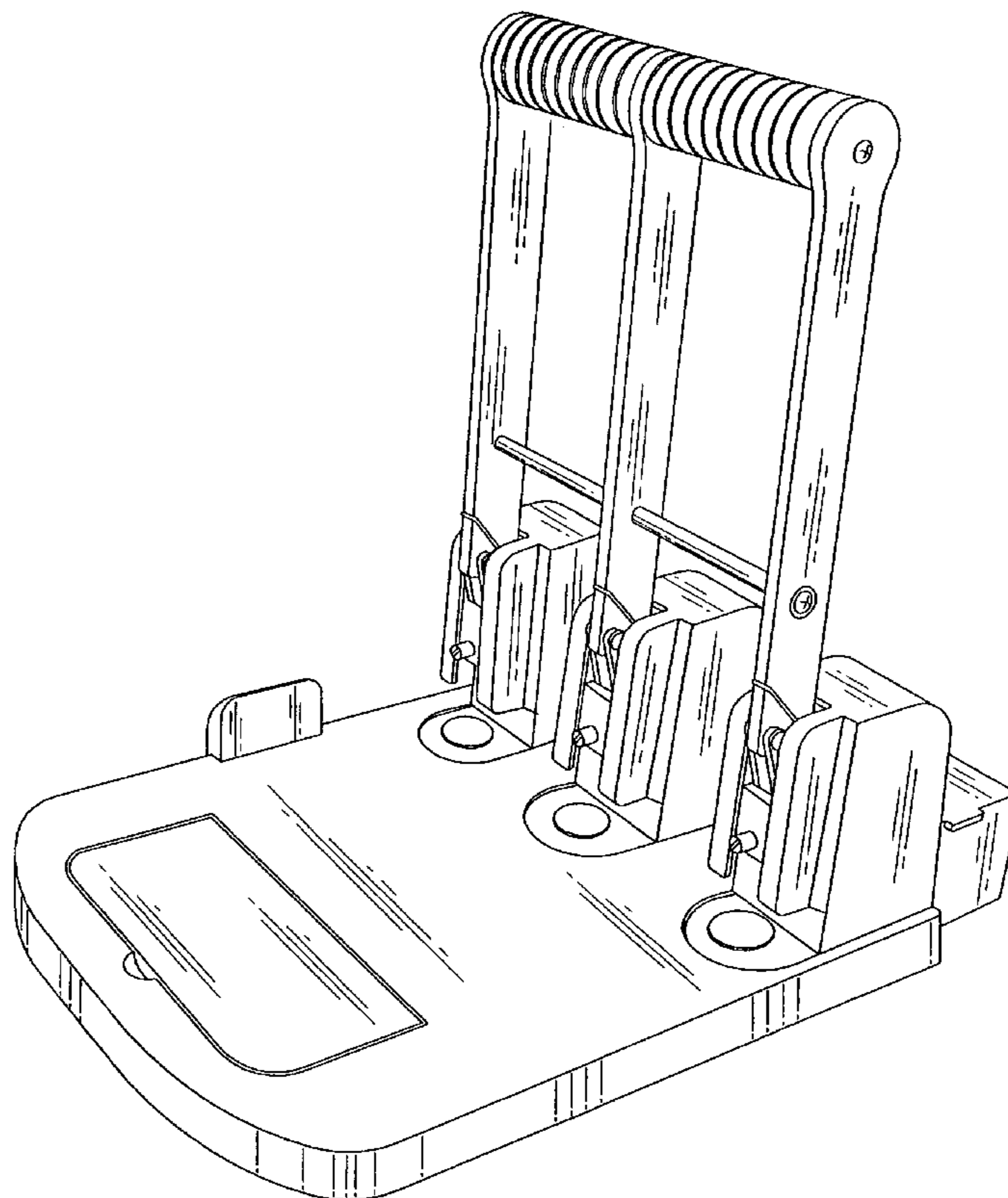
FIG. 7 is a top view thereof;

FIG. 8 is a bottom view thereof; and,

FIG. 9 is a front perspective view showing the storage compartment open.

The broken lines showing features and surfaces in the front view of FIG. 3 are included for the purpose of showing portions that form no part of the claimed design.

1 Claim, 9 Drawing Sheets



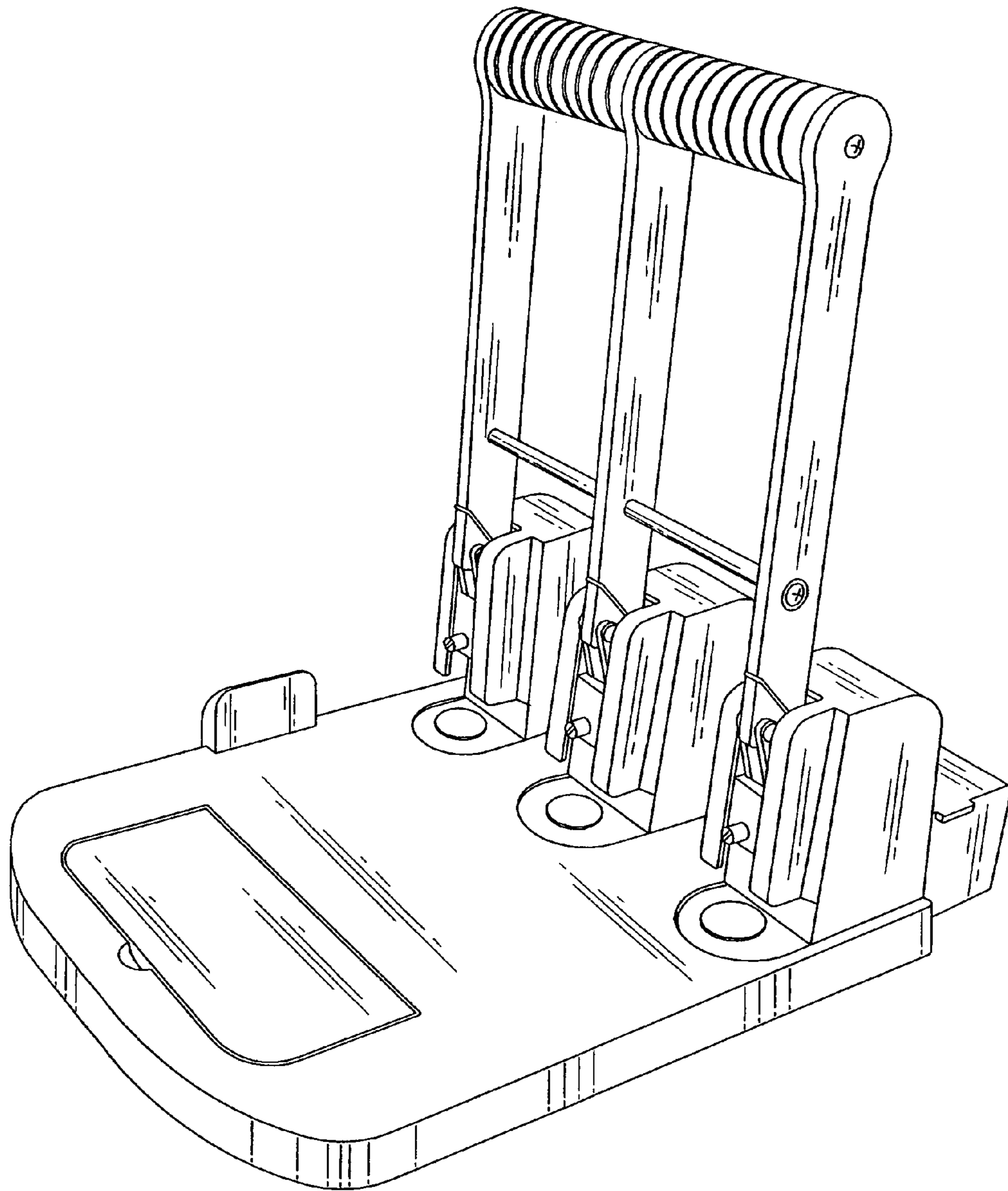


FIG. 1

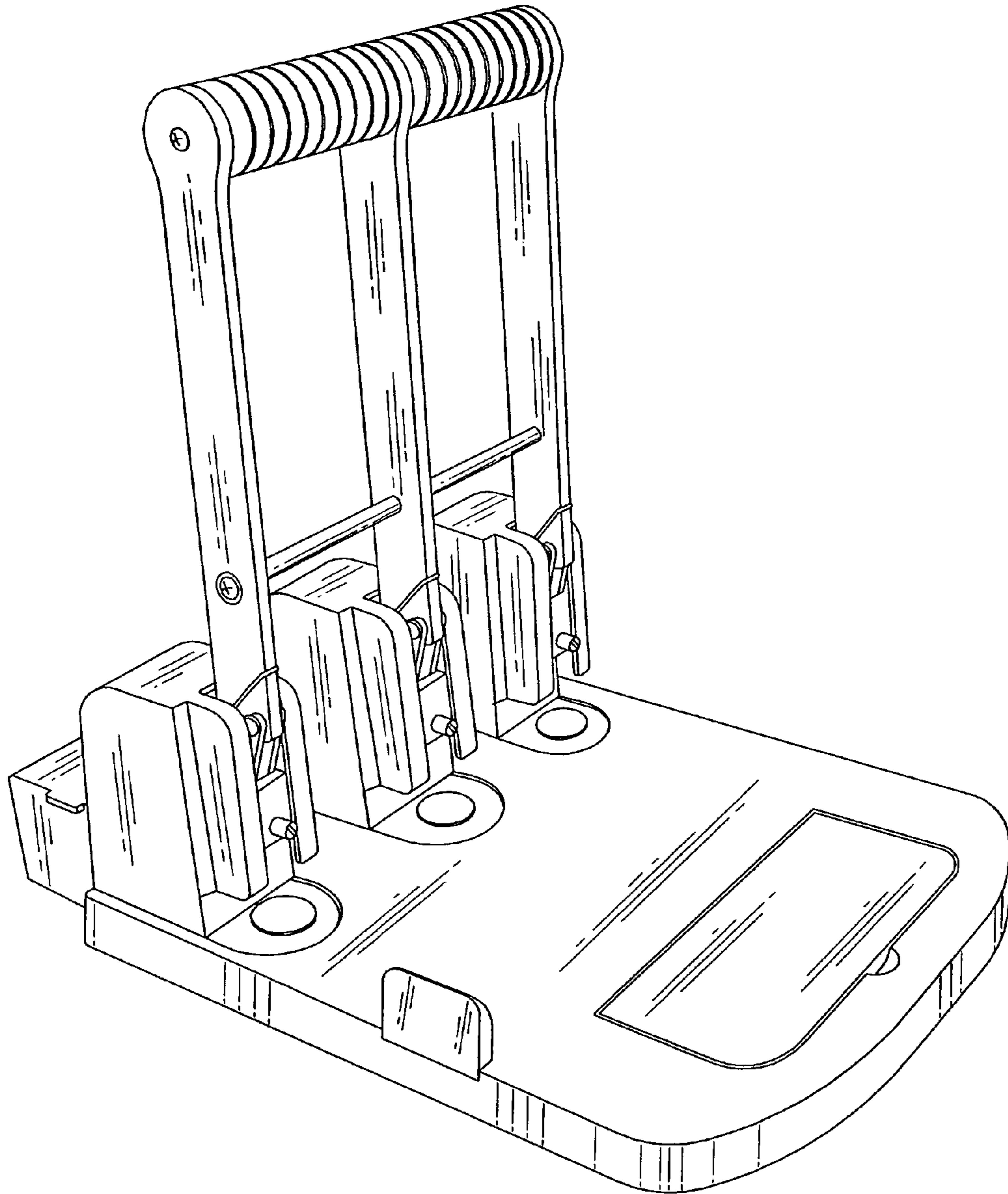


FIG. 2

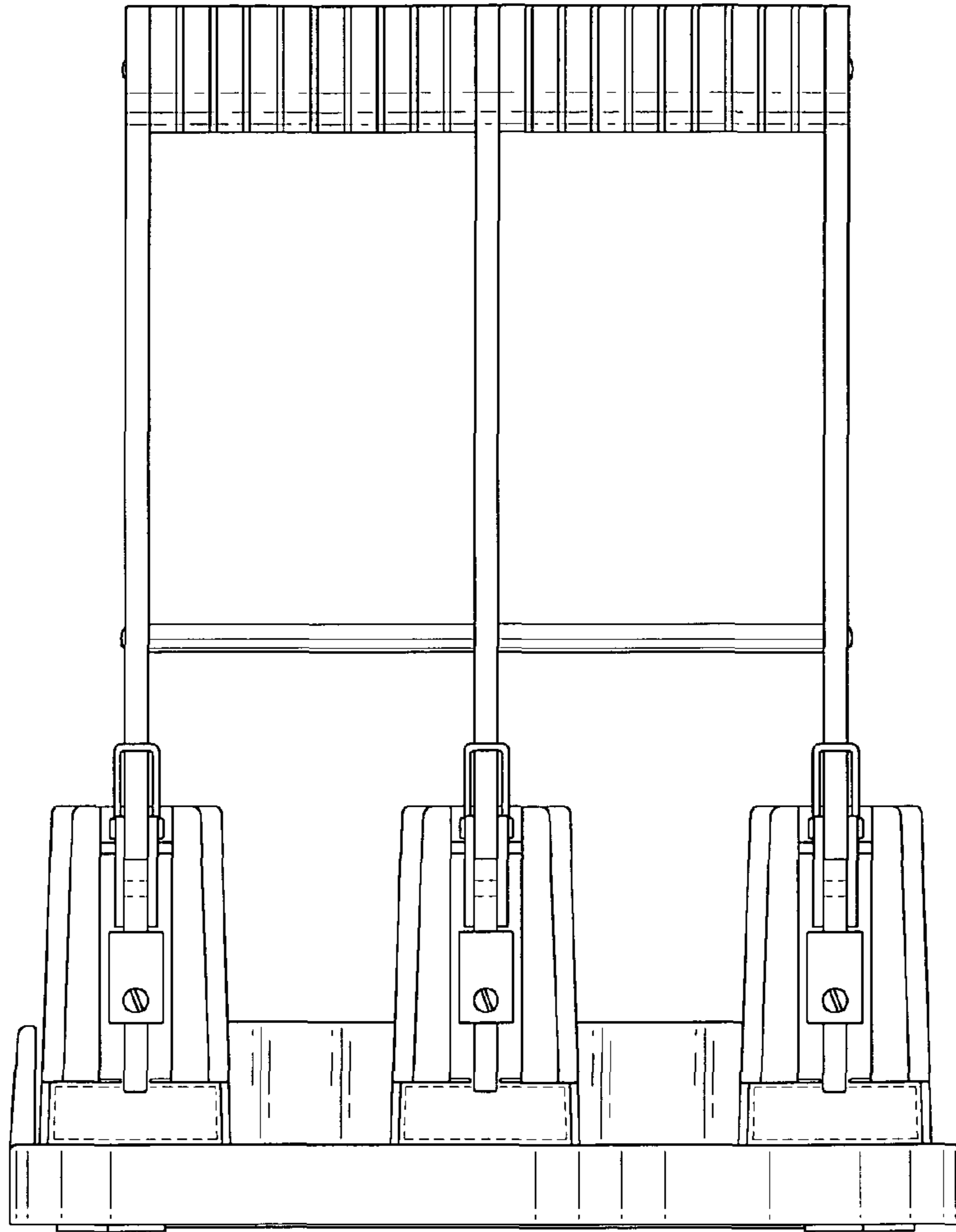


FIG. 3

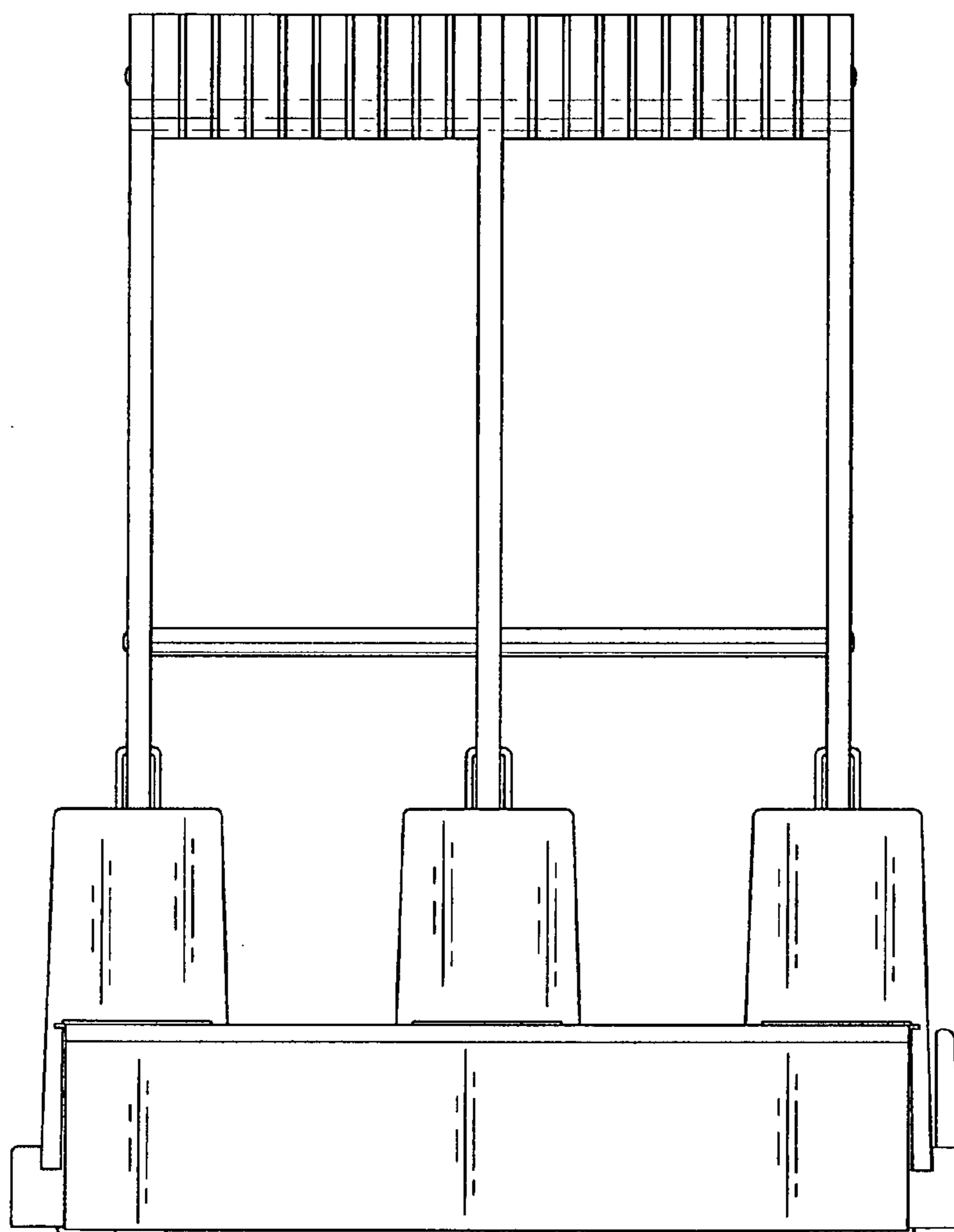


FIG. 4

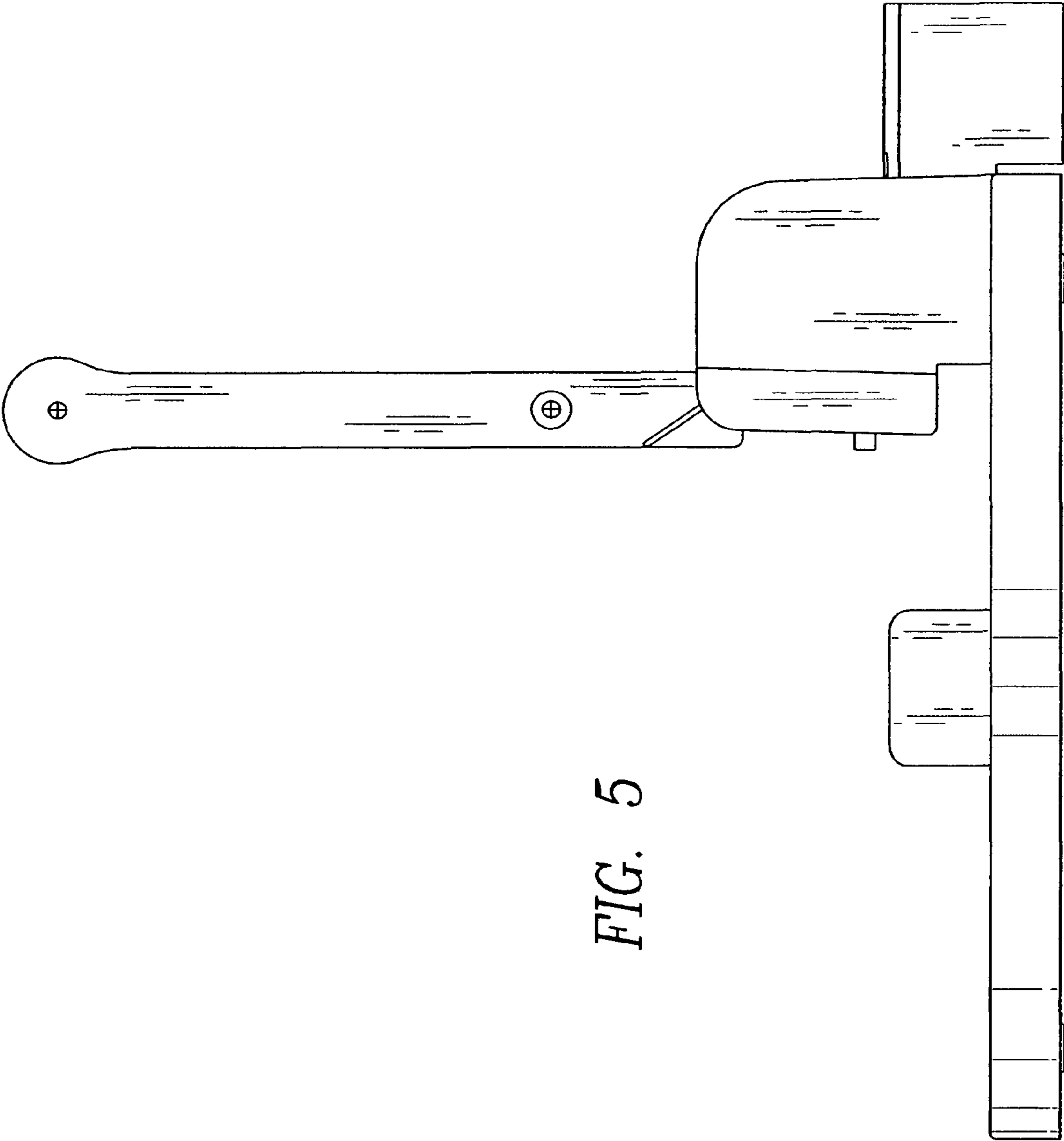


FIG. 5

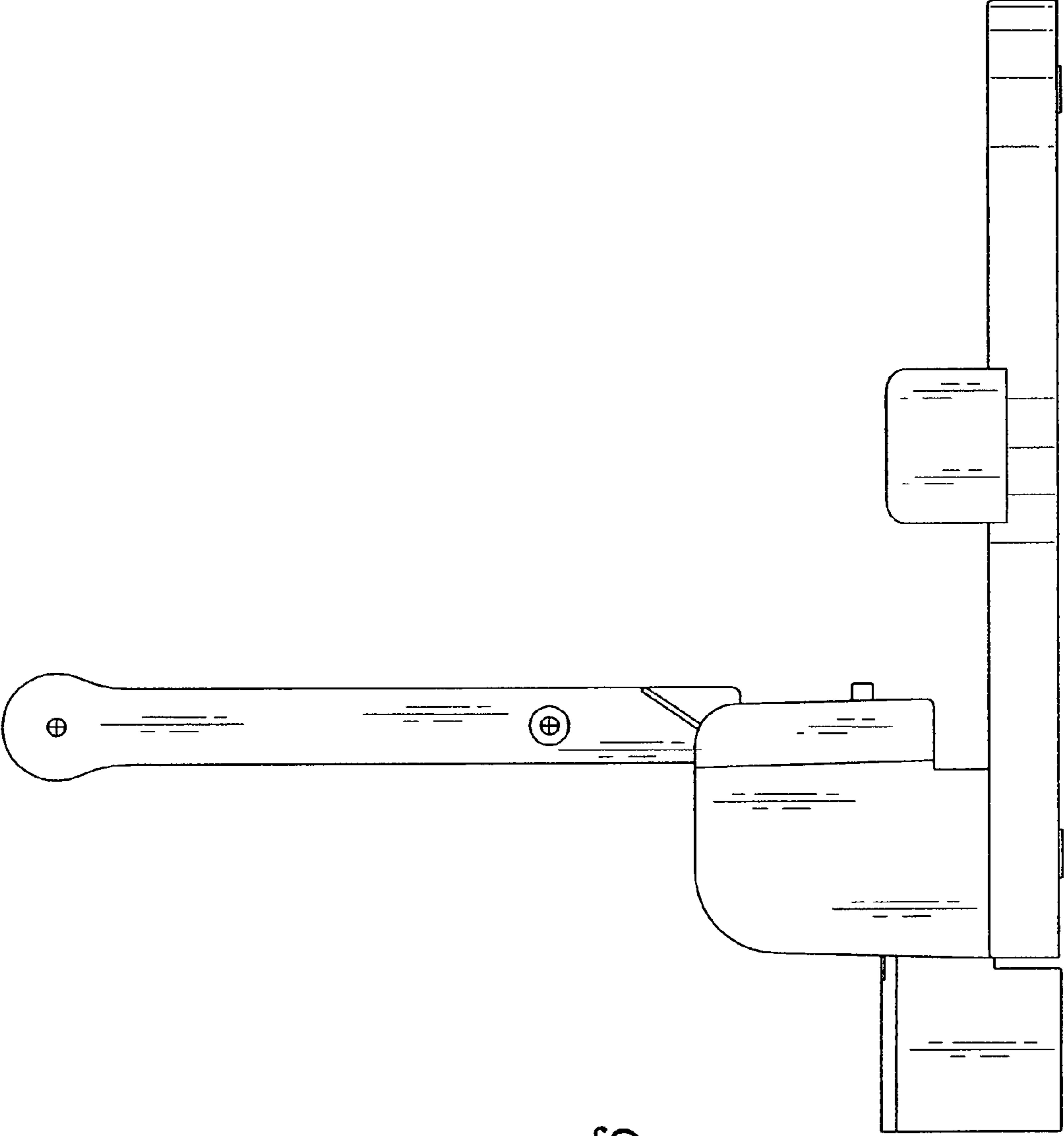


FIG. 6

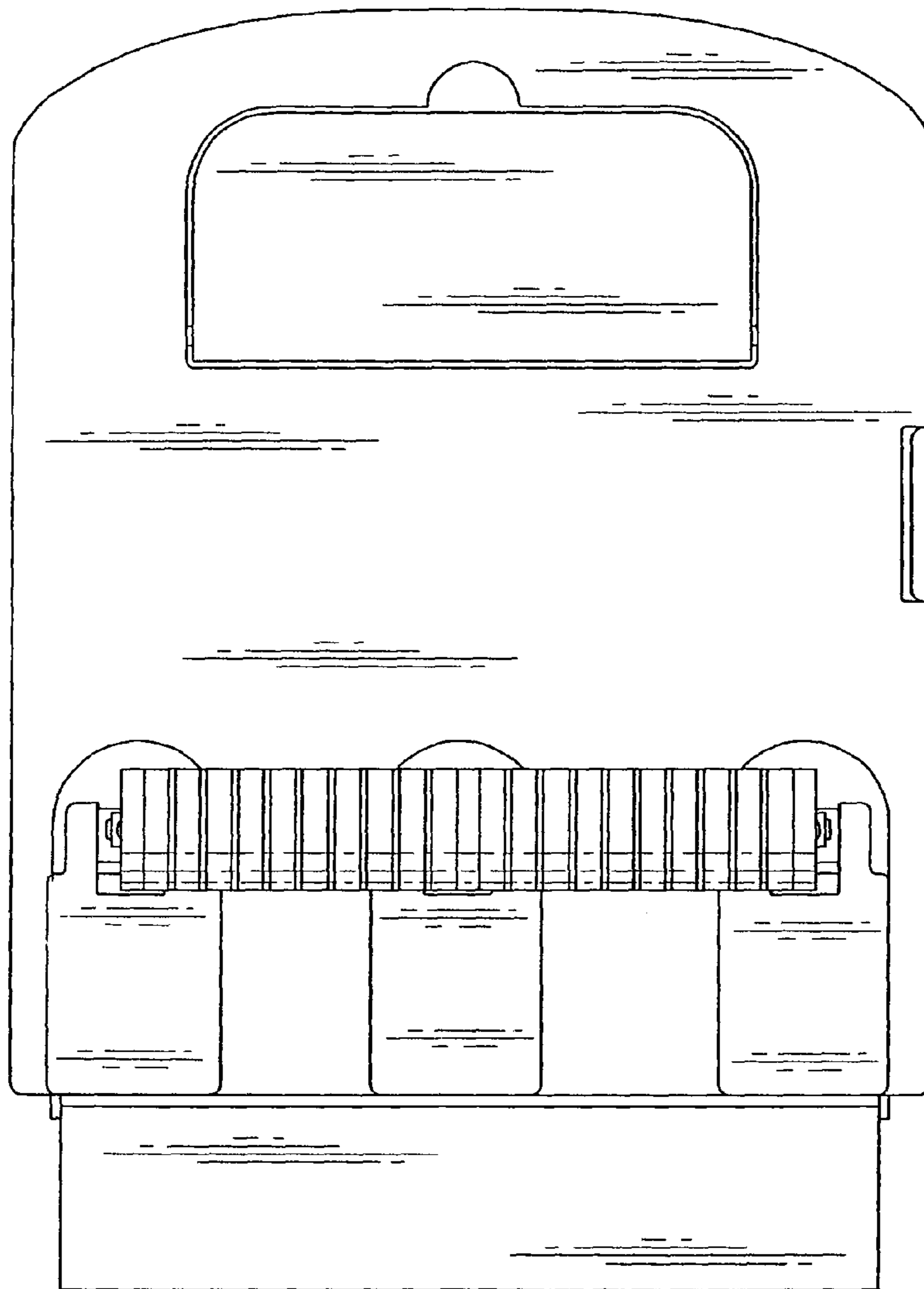


FIG. 7

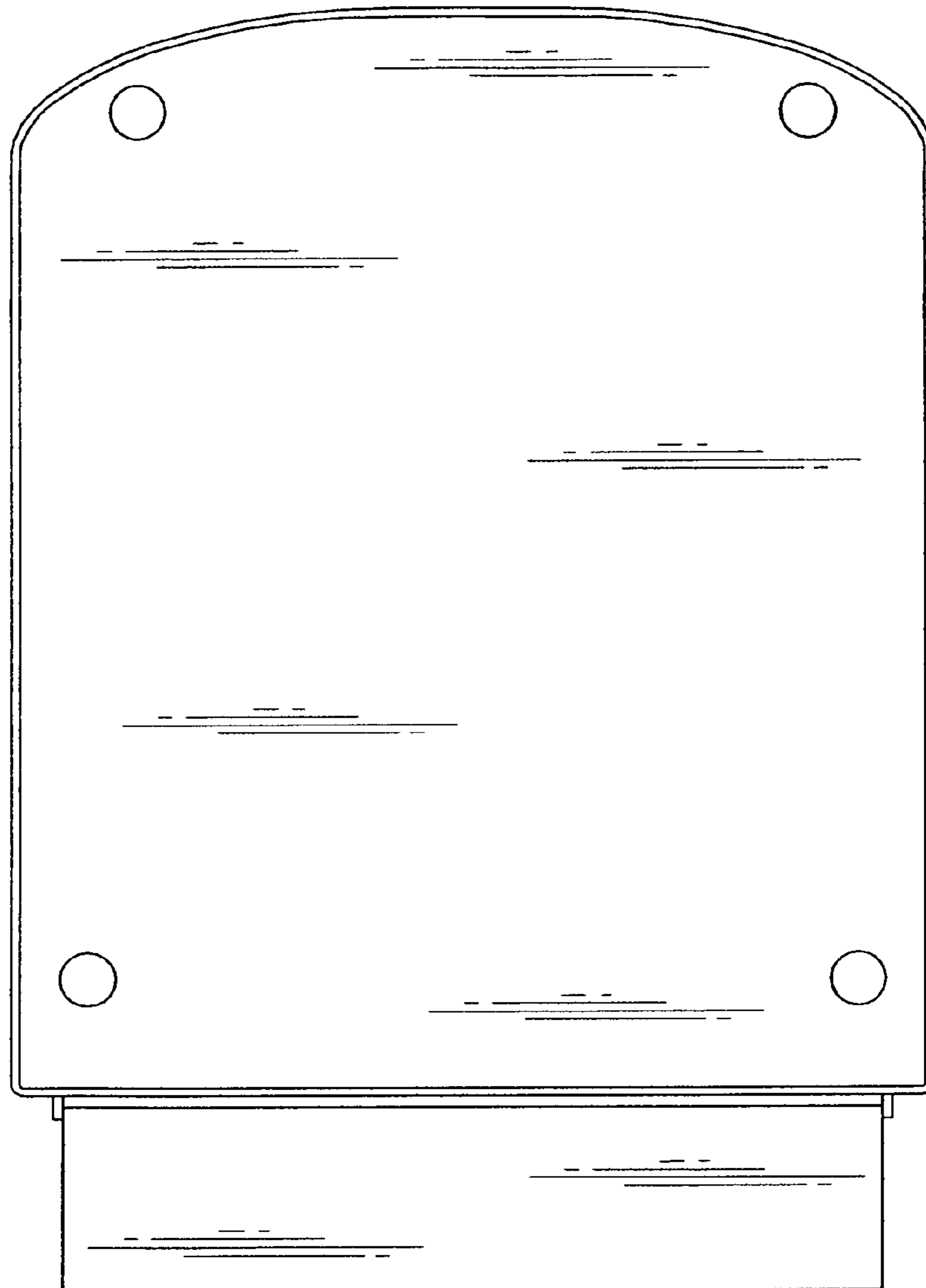


FIG. 8

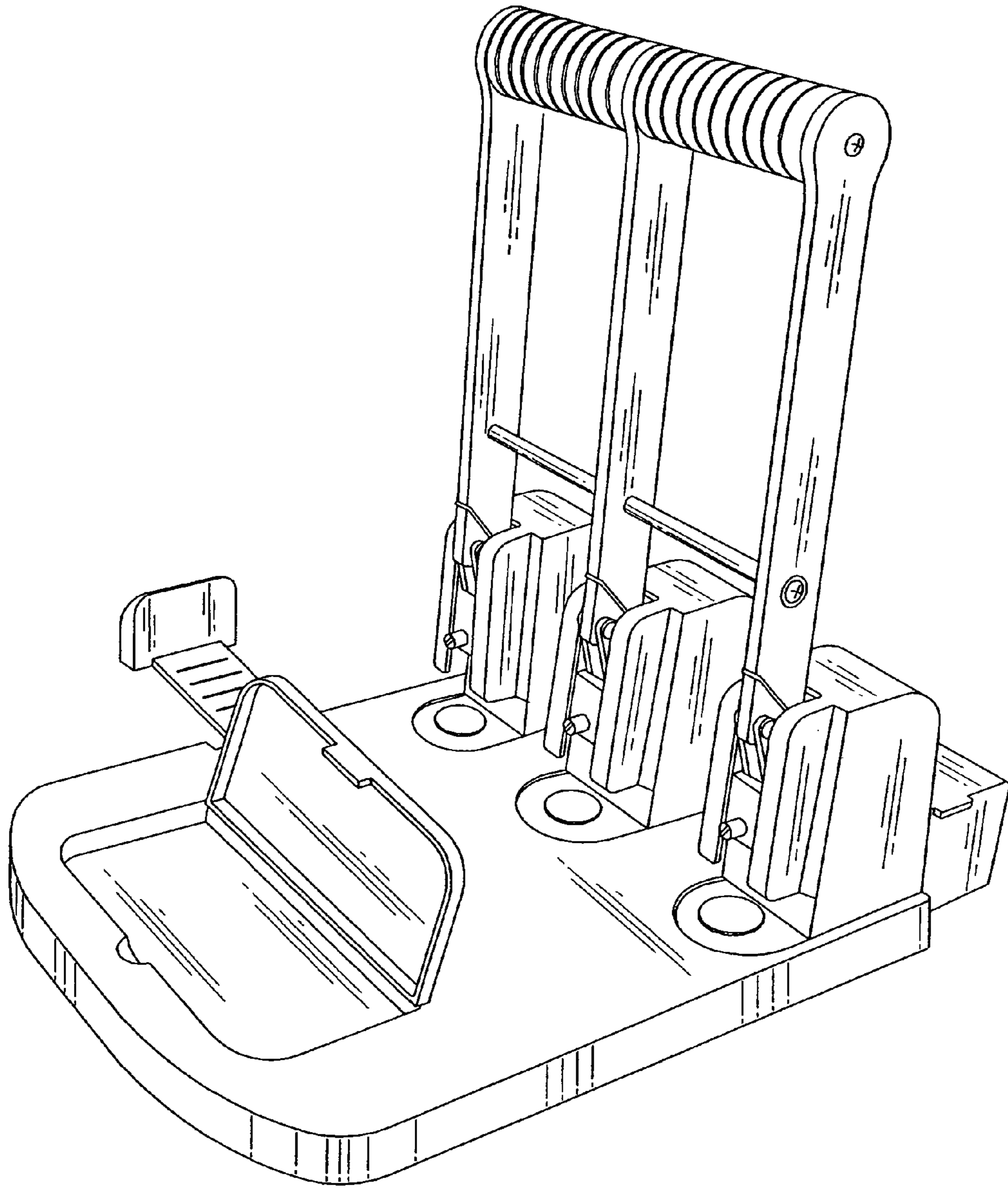


FIG. 9