

US00D662131S

(12) **United States Design Patent**
Leman et al.

(10) **Patent No.:** **US D662,131 S**
(45) **Date of Patent:** **** Jun. 19, 2012**

(54) **PRINTER**

(75) Inventors: **Michael V. Leman**, Eagle, ID (US);
Dean J. Richtsmeier, Boise, ID (US);
Xiaodong Zhang, Shanghai (CN)

(73) Assignee: **Hewlett-Packard Development Company, L.P.**, Houston, TX (US)

(**) Term: **14 Years**

(21) Appl. No.: **29/377,764**

(22) Filed: **Oct. 26, 2010**

(51) **LOC (9) Cl.** **14-02**

(52) **U.S. Cl.** **D18/55**

(58) **Field of Classification Search** D14/420-425,
D14/463-470; D18/14, 19, 36-37, 50, 54,
D18/54.1, 55; 400/613, 613.1-613.4, 690,
400/690.1-690.4, 691-694

See application file for complete search history.

(56) **References Cited**

U.S. PATENT DOCUMENTS

D379,196	S	*	5/1997	Laidlaw	D18/55
D607,927	S	*	1/2010	Kim et al.	D18/55
D641,396	S	*	7/2011	Park et al.	D18/55
D641,399	S	*	7/2011	Penke et al.	D18/55

* cited by examiner

Primary Examiner — Cathy A MacCormac

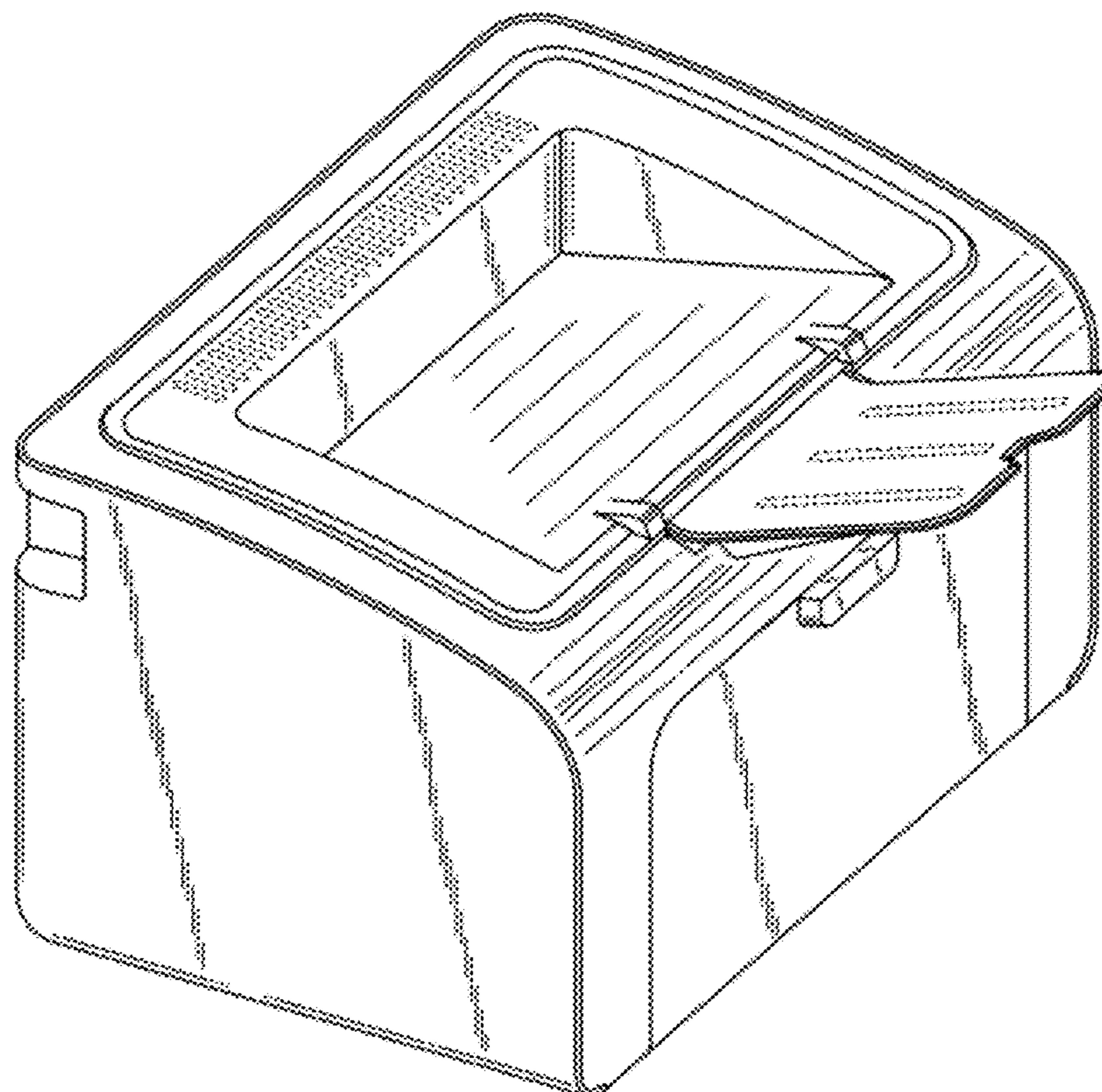
(57) **CLAIM**

The ornamental design for a printer, substantially as shown and described.

DESCRIPTION

FIG. 1 is a left-front perspective view of the design for the printer with an input tray in a closed position; FIG. 2 is a front view thereof; FIG. 3 is a rear view thereof; FIG. 4 is a left side view thereof; FIG. 5 is a right side view thereof; FIG. 6 is a top view thereof; FIG. 7 is a bottom view thereof; and, FIG. 8 is a left-front perspective view of the design for the printer with the input tray in an open position. The portions shown in broken lines are for illustrative purposes only and form no part of the claimed design.

1 Claim, 8 Drawing Sheets



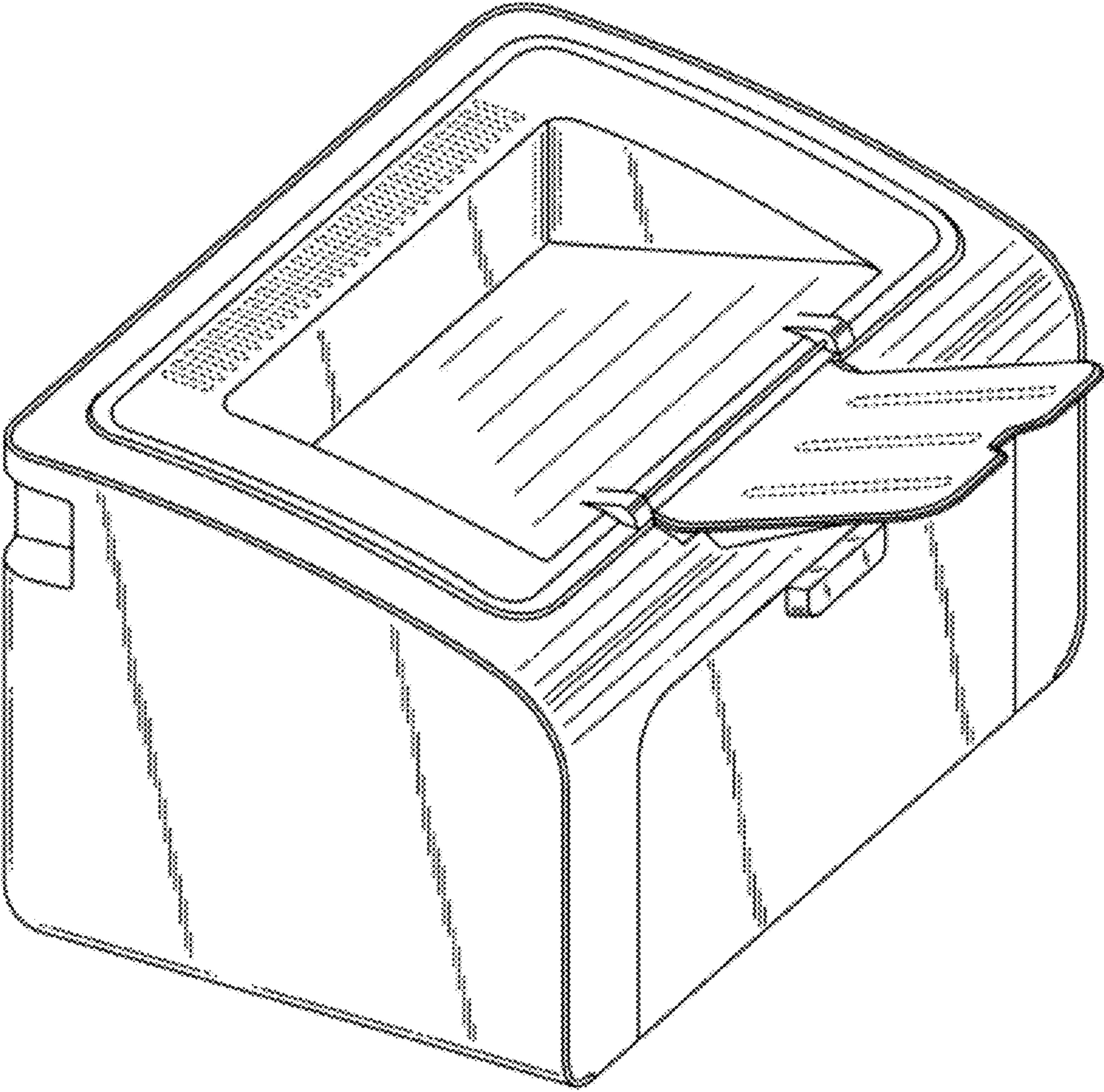


Fig. 1

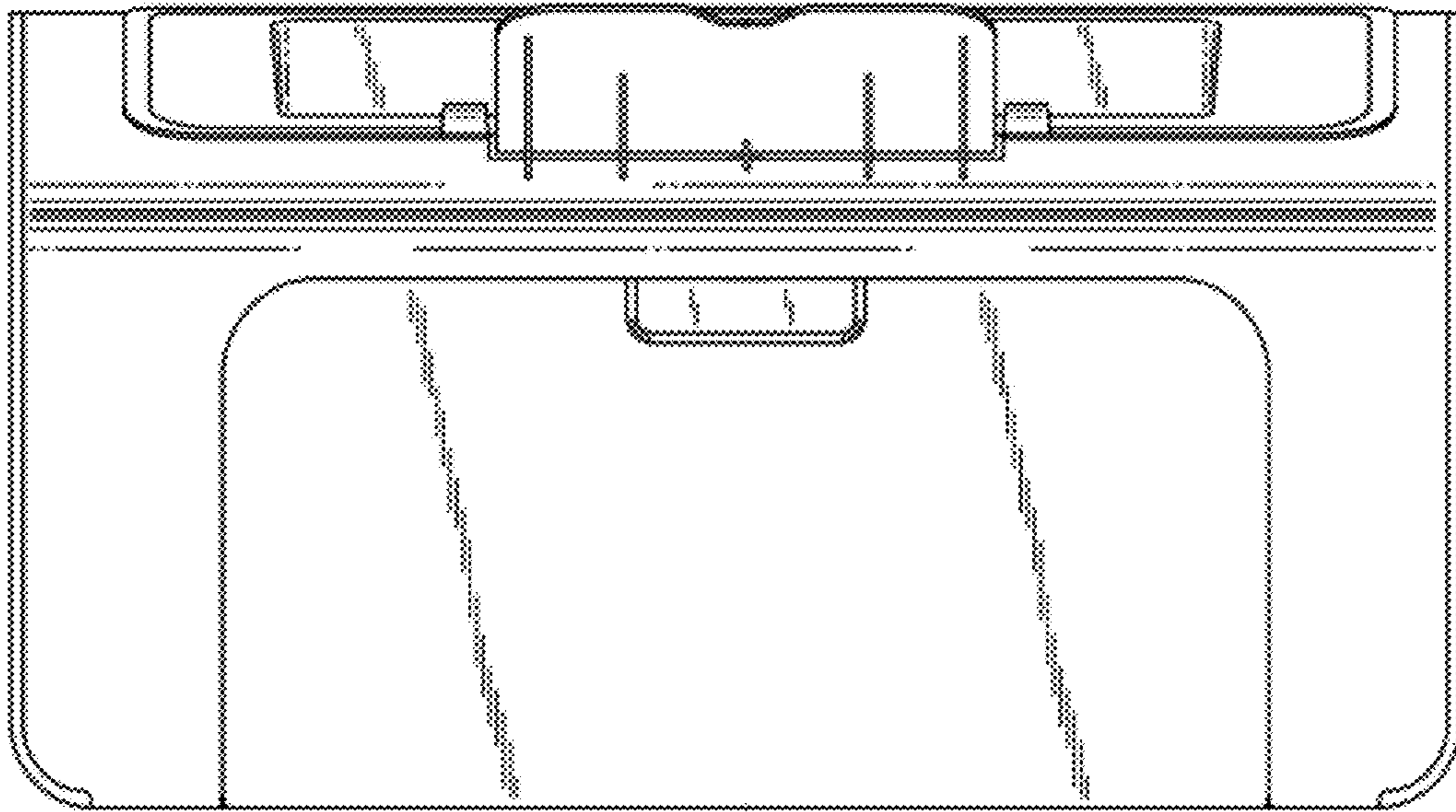


Fig. 2

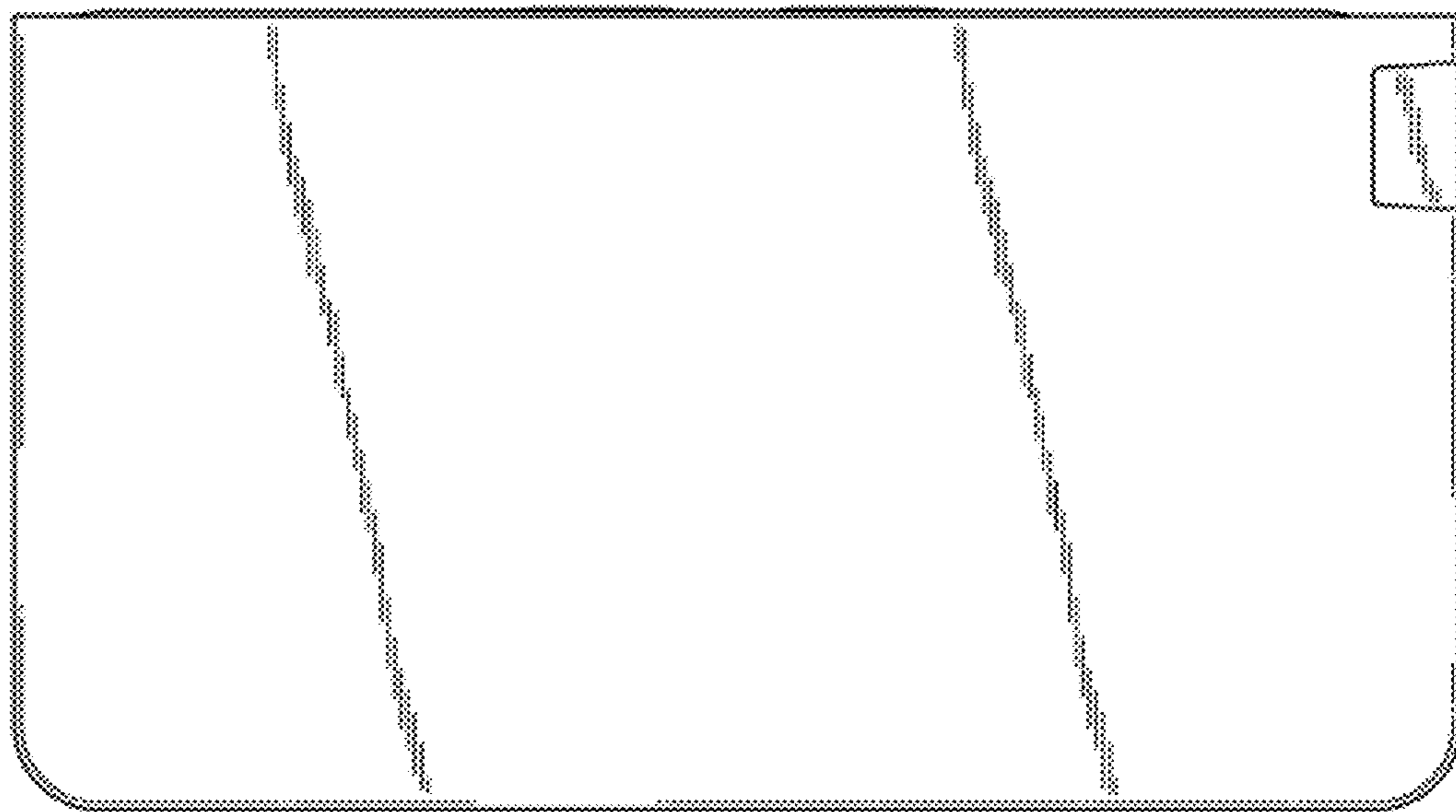


Fig. 3

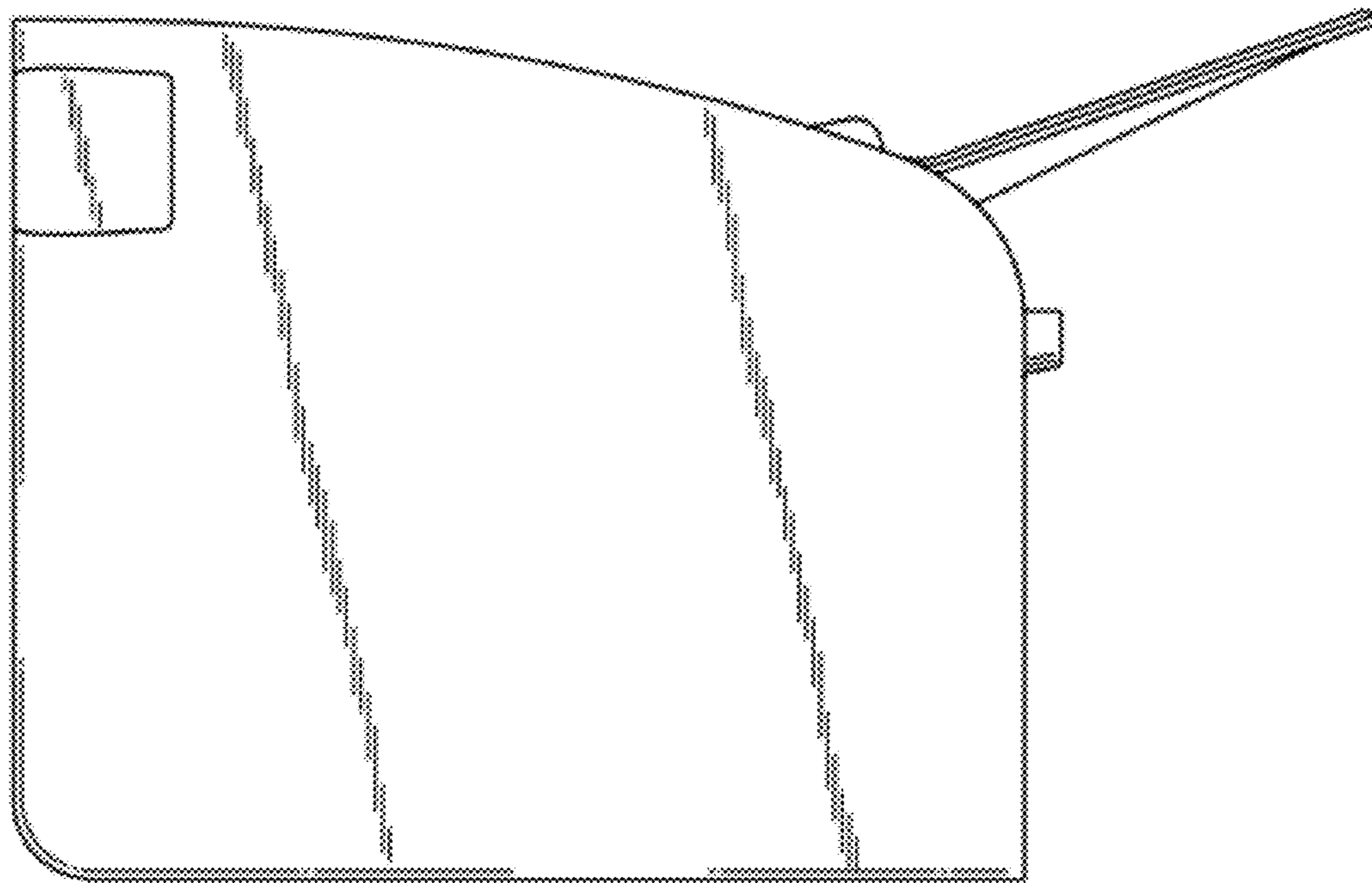


Fig. 4

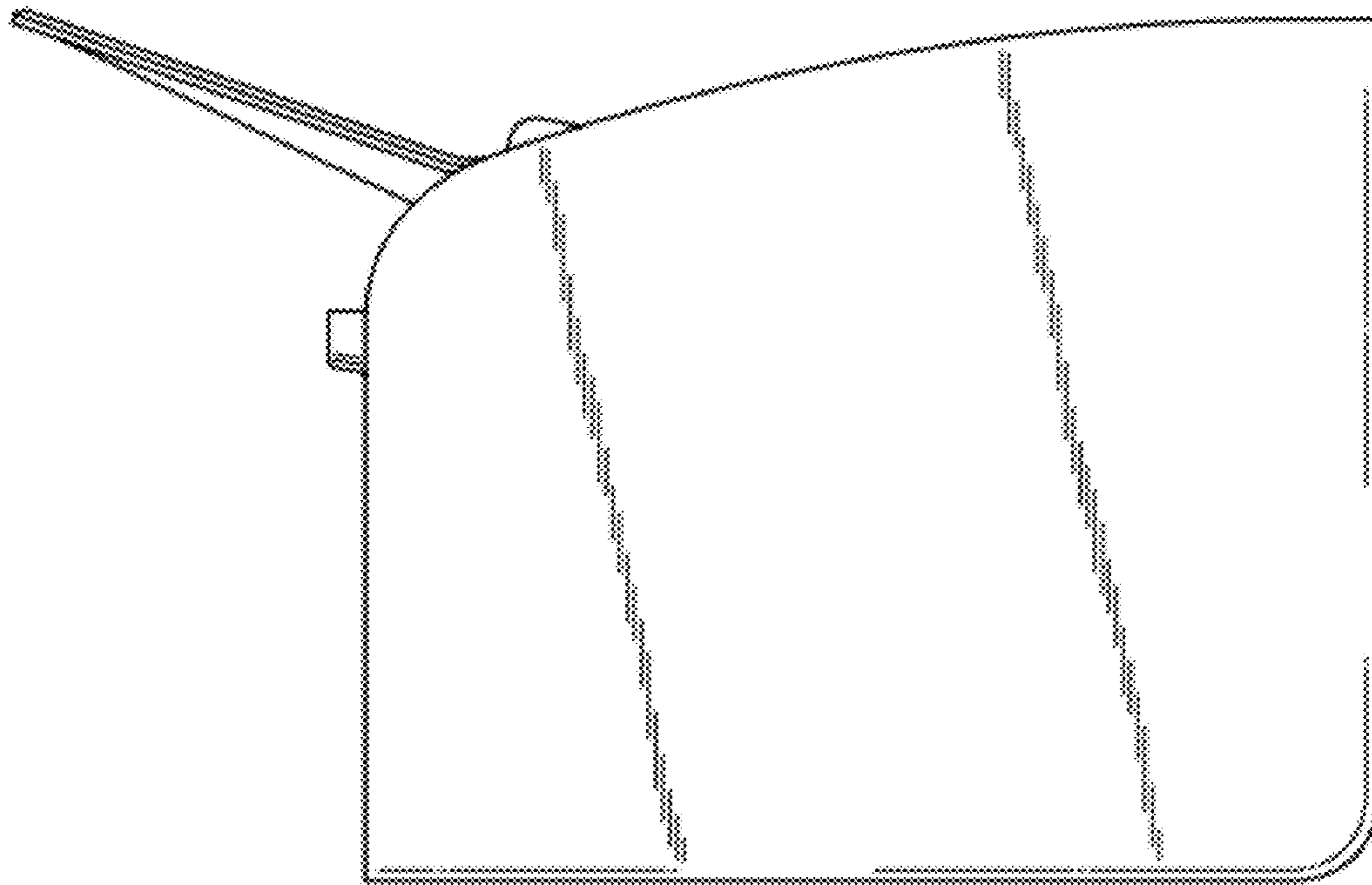


Fig. 5

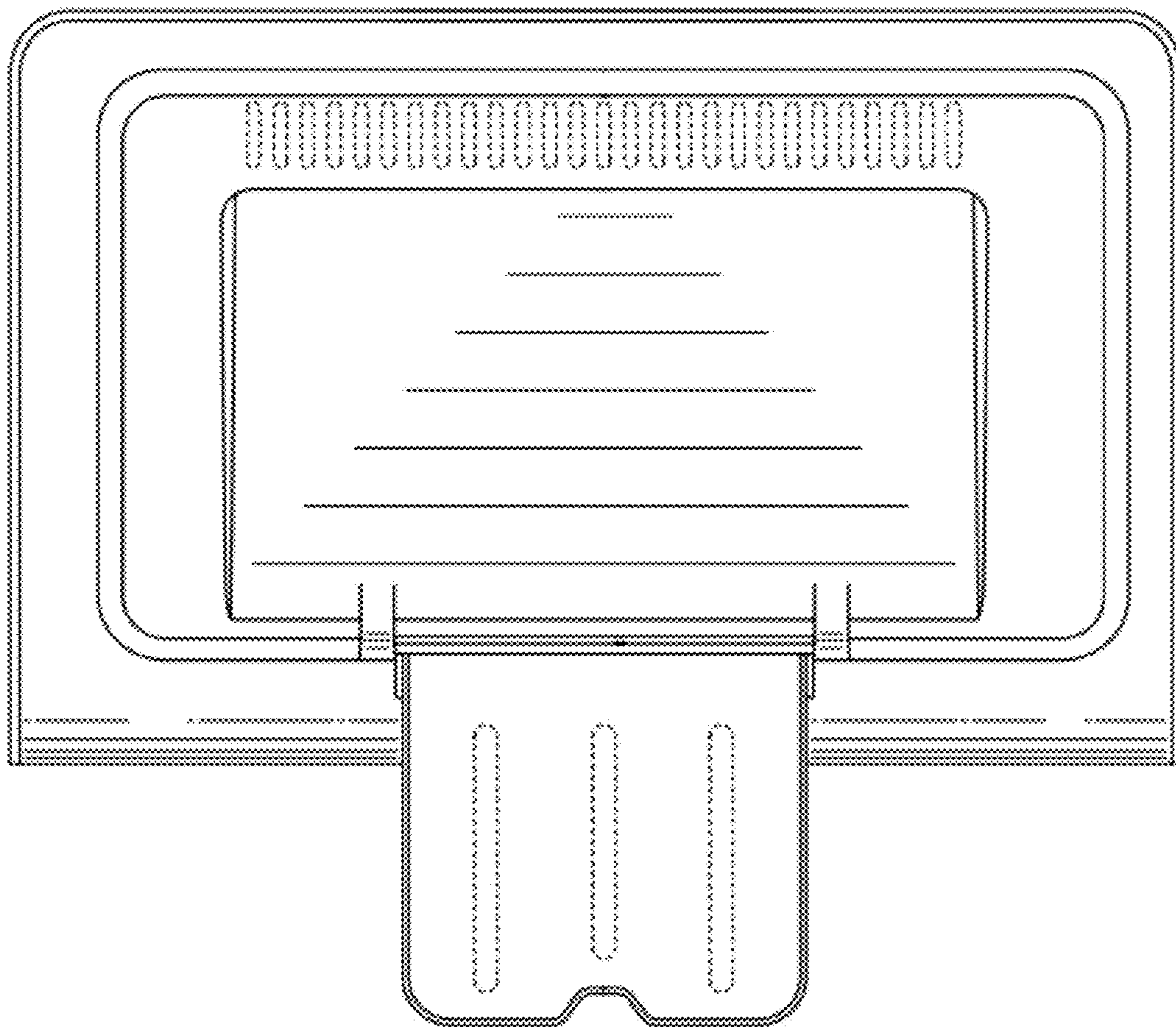


Fig. 6

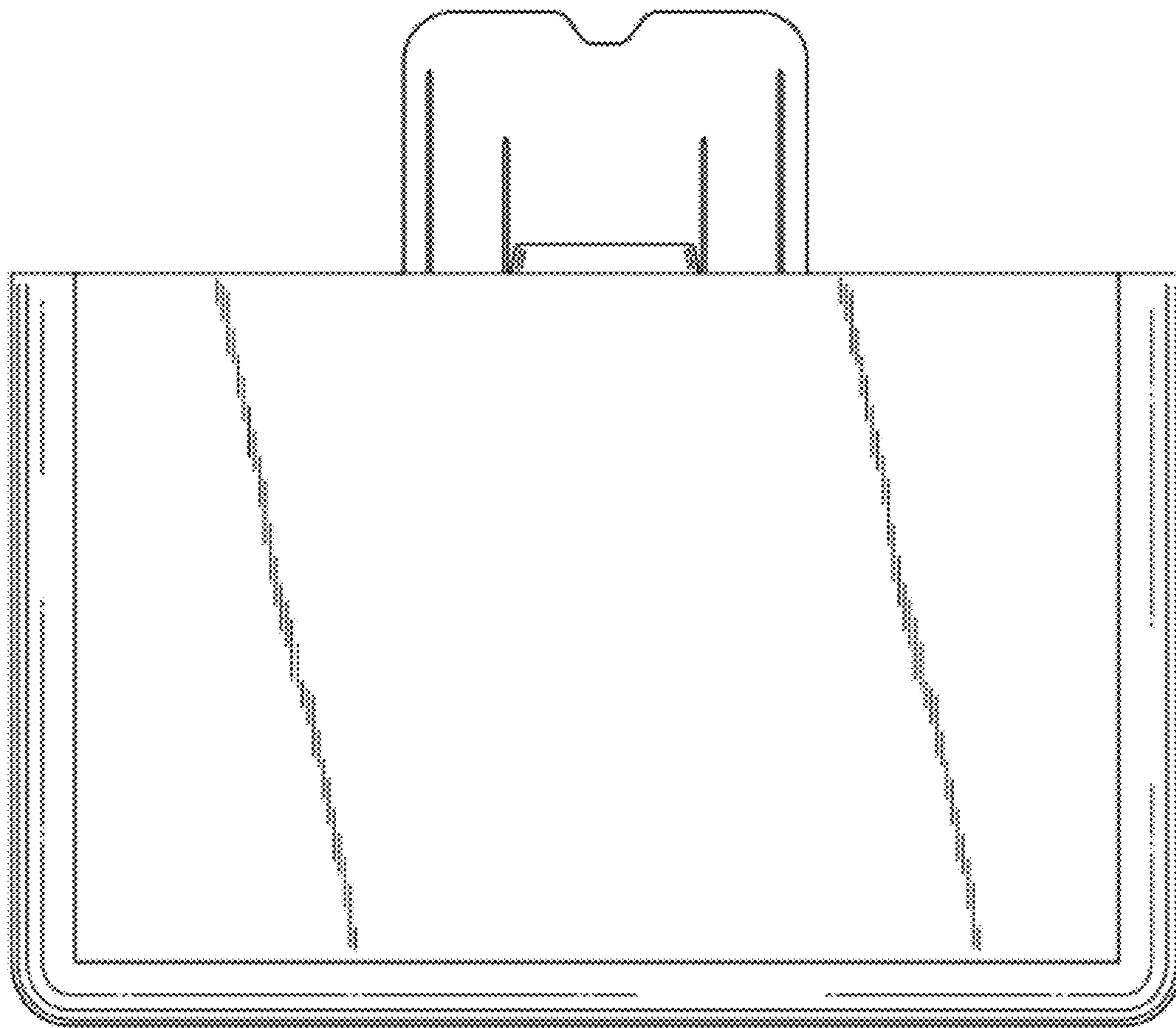


Fig. 7

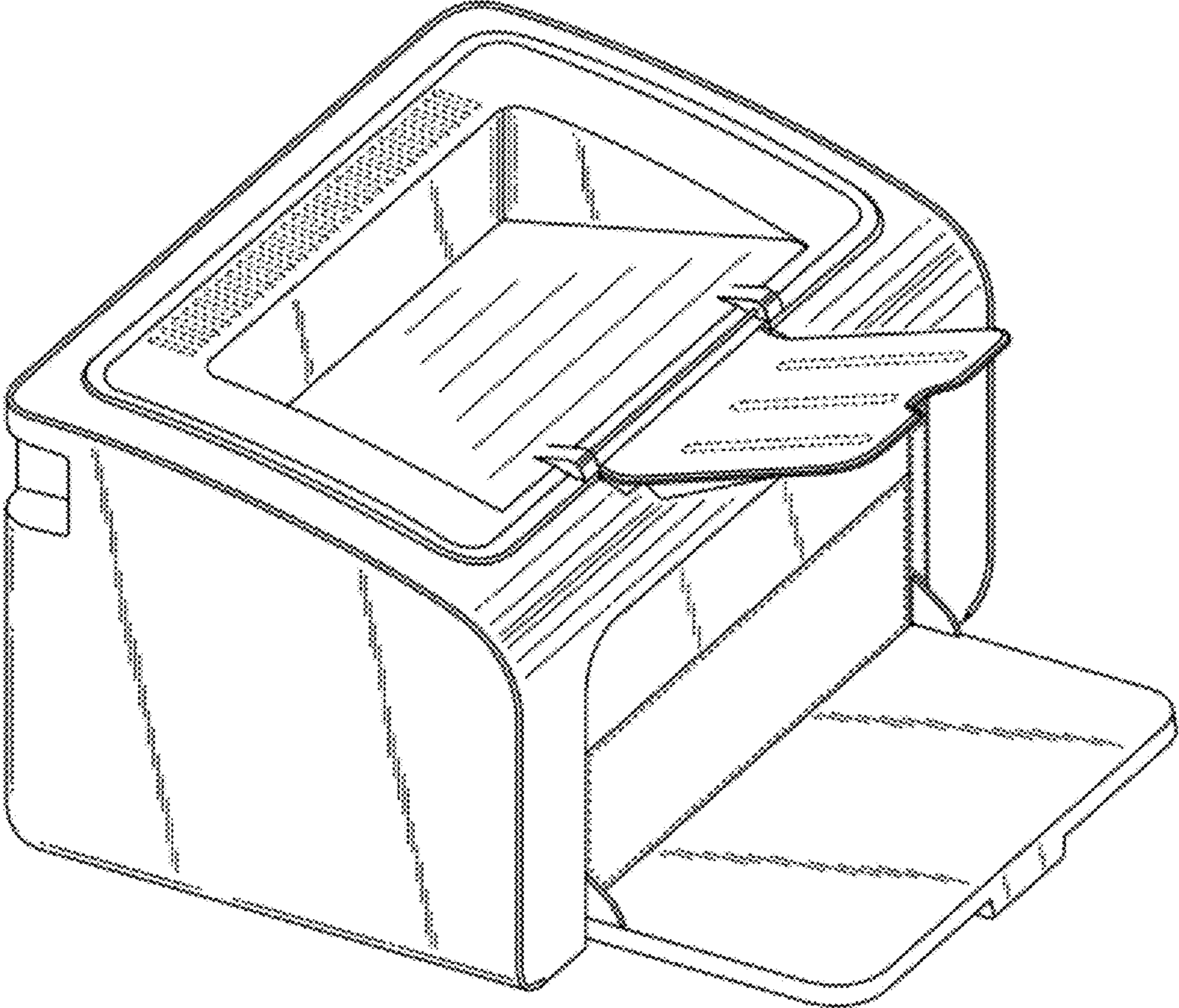


Fig. 8