



US00D662130S

(12) **United States Design Patent**
Kitazawa et al.

(10) **Patent No.:** **US D662,130 S**
(45) **Date of Patent:** **** Jun. 19, 2012**

(54) **PRINTER**

(75) Inventors: **Yuichi Kitazawa**, Matsumoto (JP);
Hidekatsu Miyasaka, Matsumoto (JP);
Atsuhiko Matsuno, Azumino (JP);
Hideki Kato, Matsumoto (JP)

(73) Assignee: **Seiko Epson Corporation**, Tokyo (JP)

(**) Term: **14 Years**

(21) Appl. No.: **29/389,523**

(22) Filed: **Apr. 13, 2011**

(30) **Foreign Application Priority Data**

Dec. 28, 2010 (JP) 2010-031292

(51) **LOC (9) Cl.** **14-02**

(52) **U.S. Cl.** **D18/50**

(58) **Field of Classification Search** D18/36-37,
D18/50, 54, 54.1, 55; D14/420-425, 462-470;
400/613, 613.1-613.4, 690.1-694

See application file for complete search history.

(56) **References Cited**

U.S. PATENT DOCUMENTS

D609,270	S	*	2/2010	Kato et al.	D18/55
D613,791	S	*	4/2010	Yoshioka et al.	D18/55
D614,693	S	*	4/2010	Kato et al.	D18/50
D647,958	S	*	11/2011	Yoshioka et al.	D18/50
D649,183	S	*	11/2011	Miyauchi et al.	D18/50

* cited by examiner

Primary Examiner — Cathy A MacCormac

(57) **CLAIM**

The ornamental design for a printer, as shown and described.

DESCRIPTION

FIG. 1 is a top, front and right side perspective view of a printer showing our new design;
FIG. 2 is a top, front and right side perspective view in which the front lid is opened;
FIG. 3 is a front view of FIG. 1;
FIG. 4 is a rear view of FIG. 1;
FIG. 5 is a top plan view of FIG. 1;
FIG. 6 is a bottom plan view of FIG. 1;
FIG. 7 is a right side elevational view of FIG. 1; and,
FIG. 8 is a left side elevational view of FIG. 1.
The broken lines are shown for illustrative purposes only and form no part of the claimed design.

1 Claim, 3 Drawing Sheets

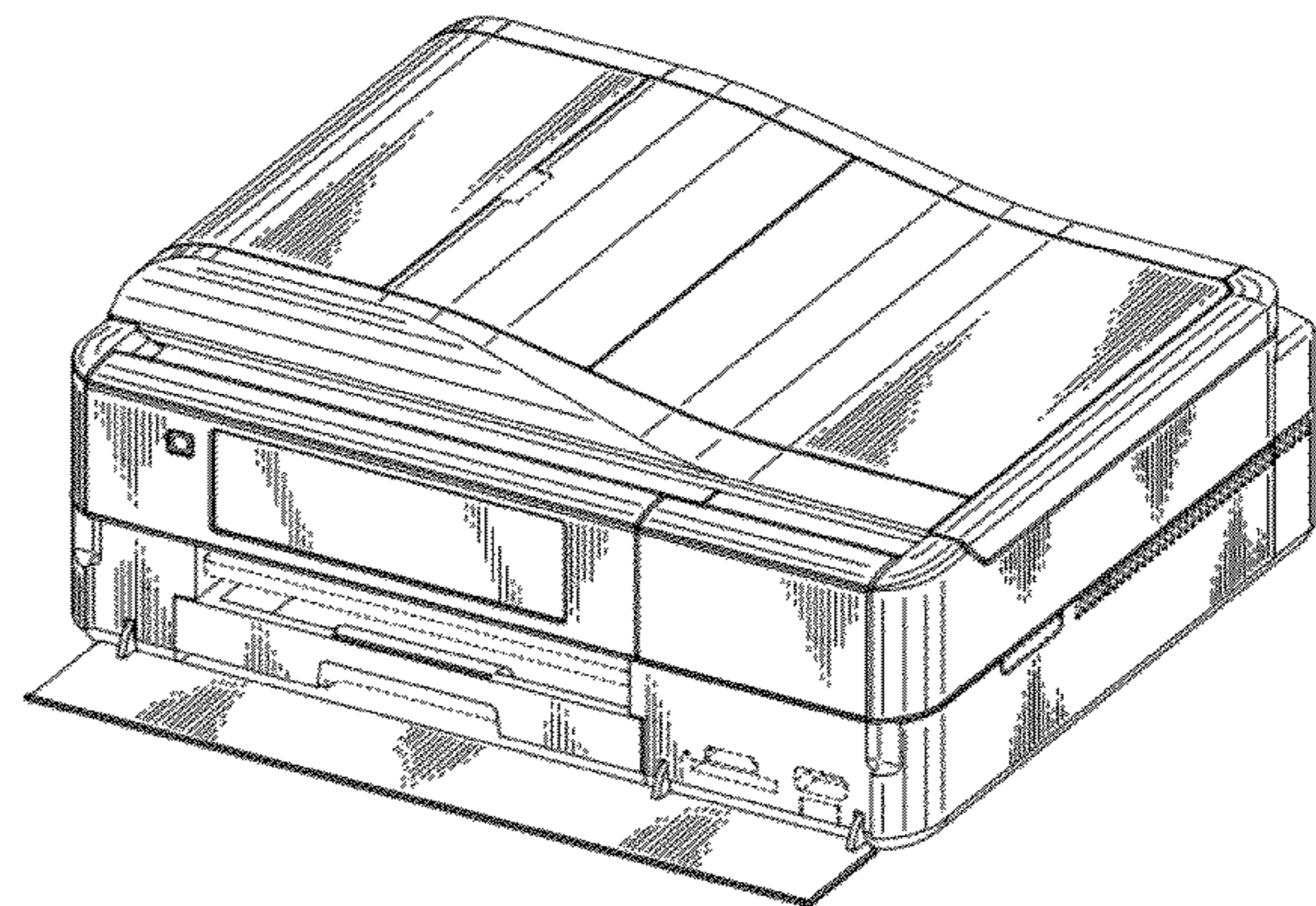
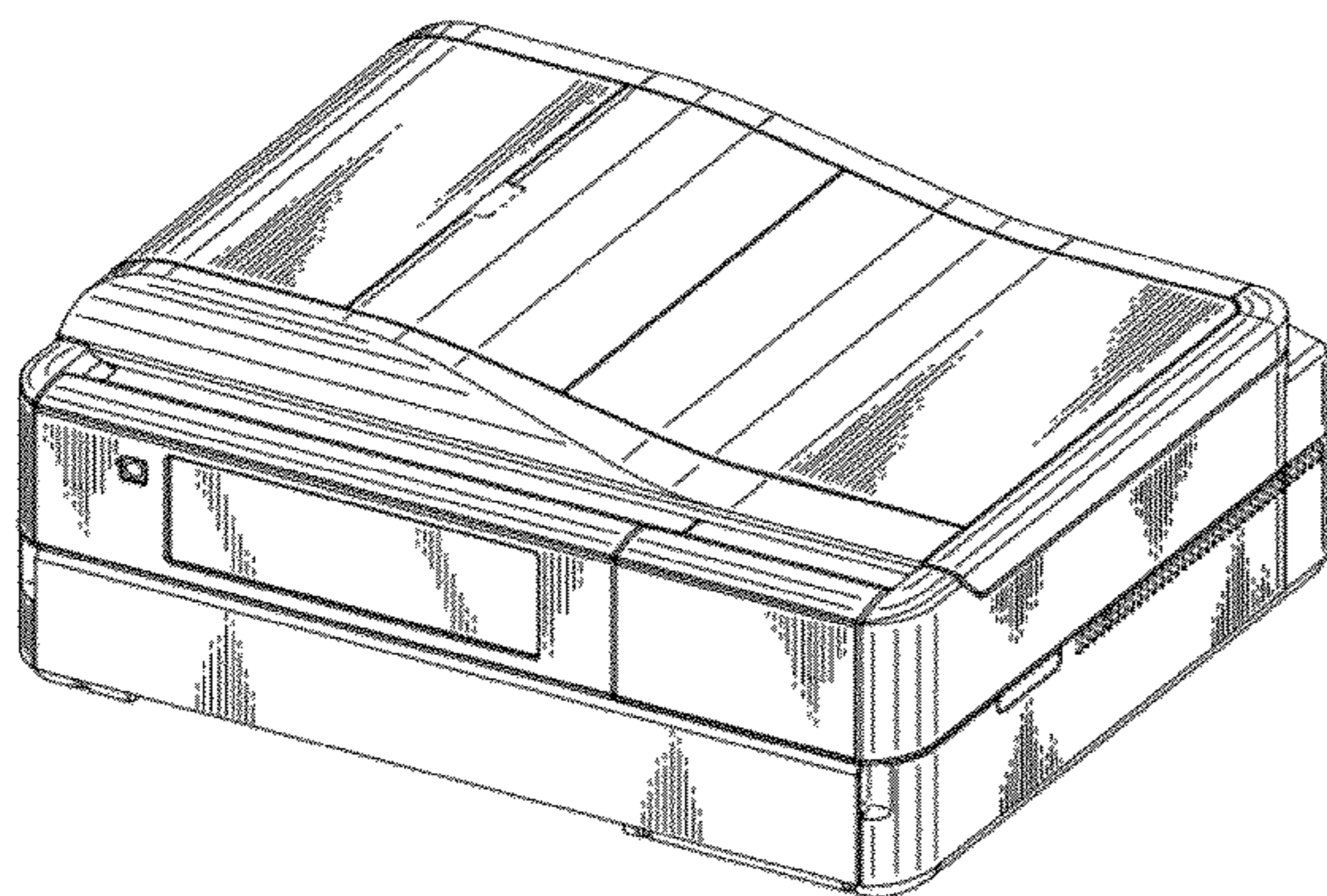


FIG. 1

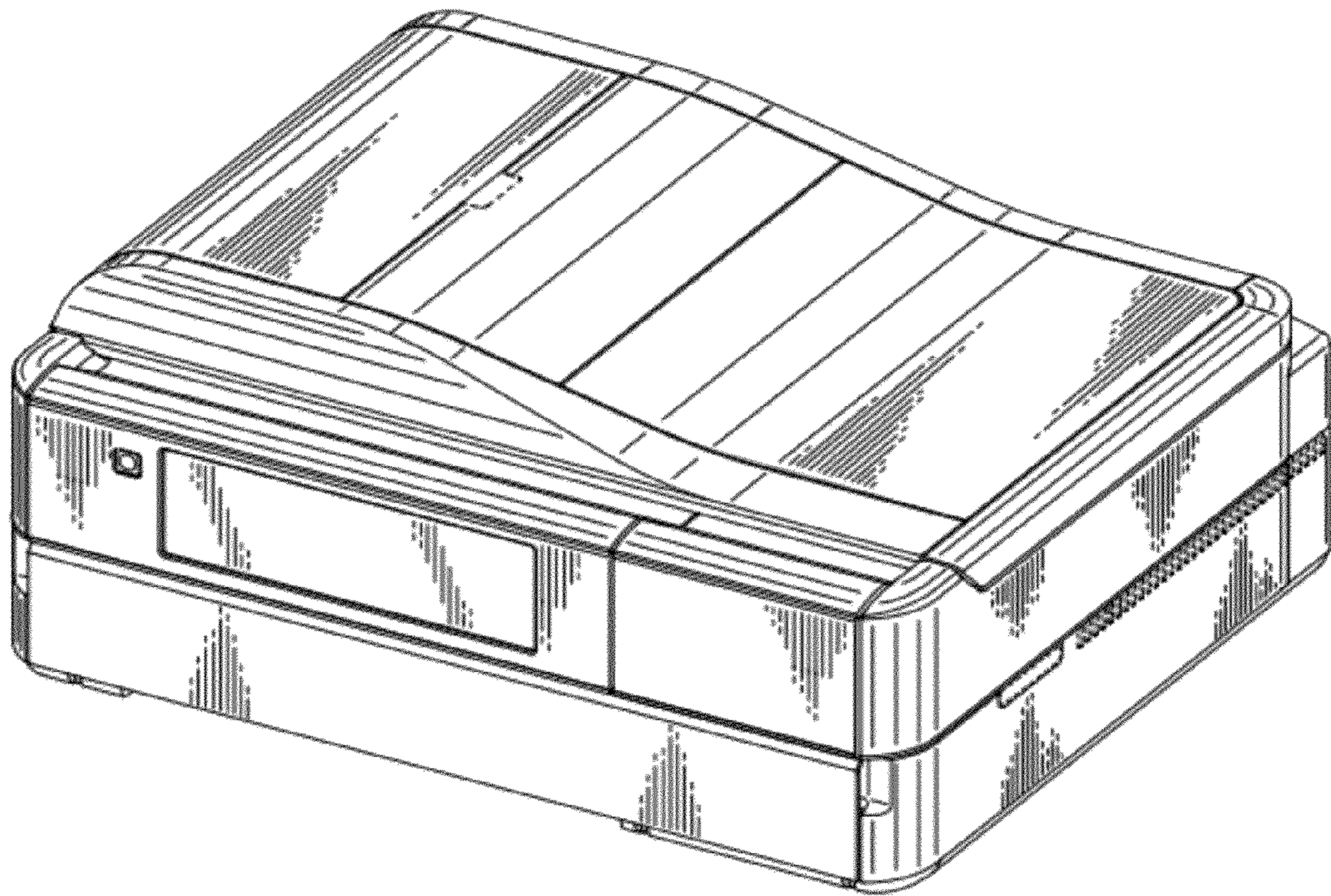


FIG. 2

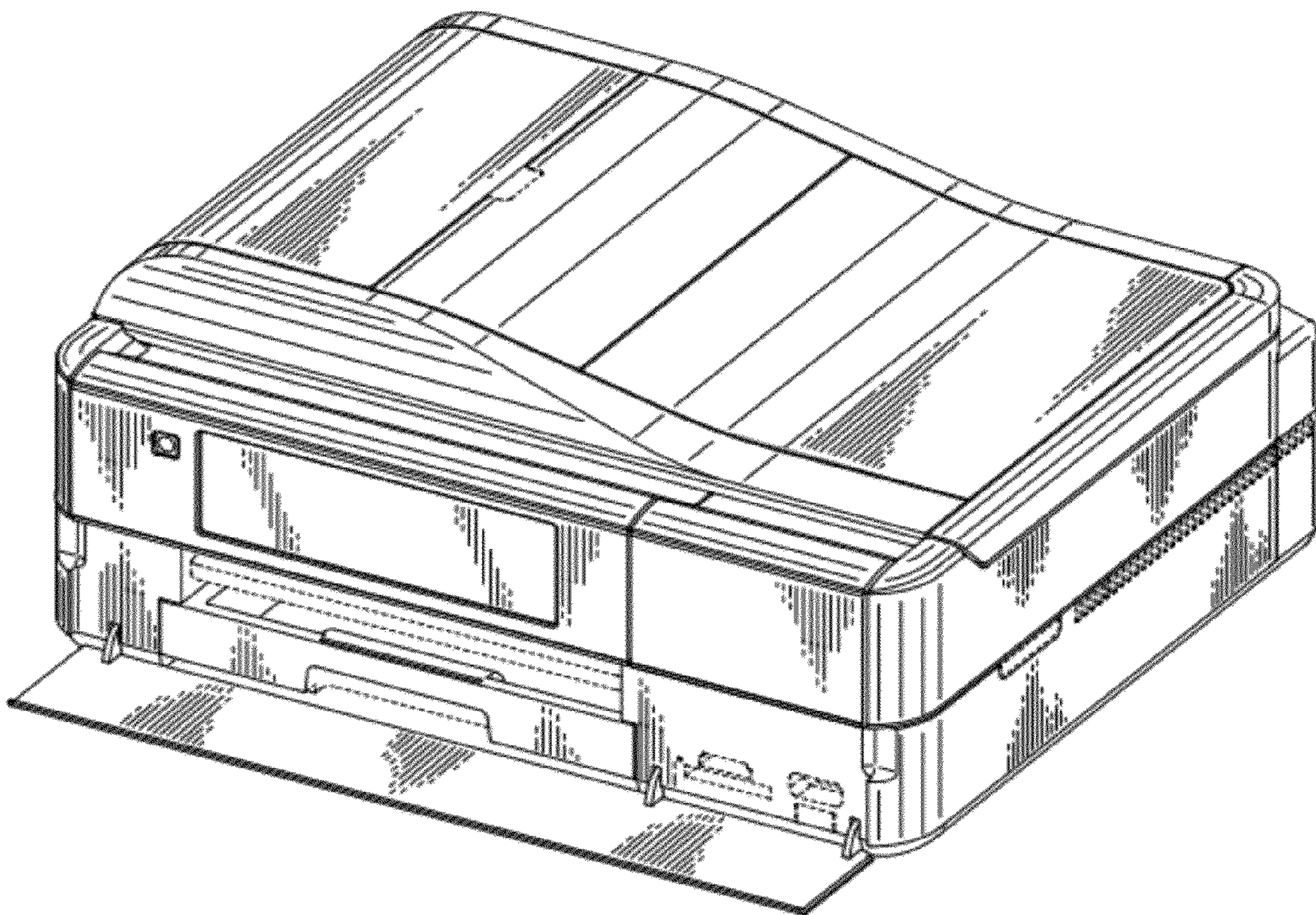


FIG. 3

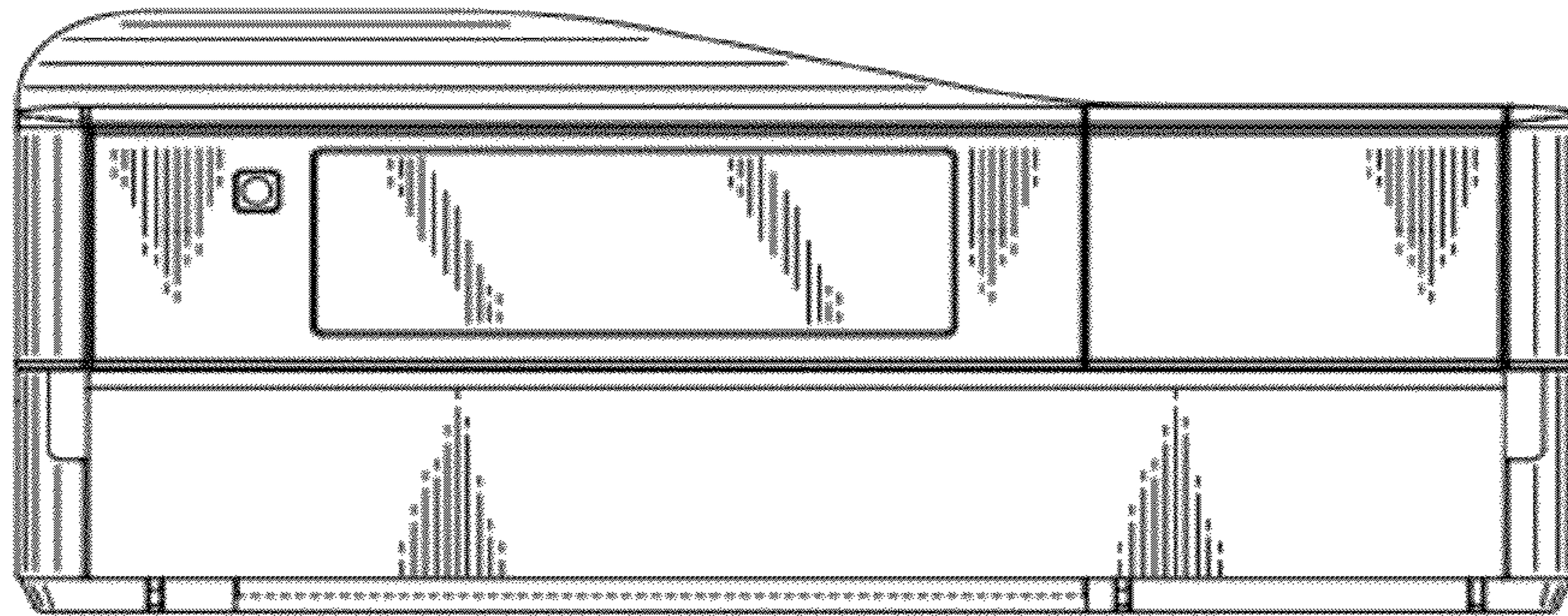


FIG. 4

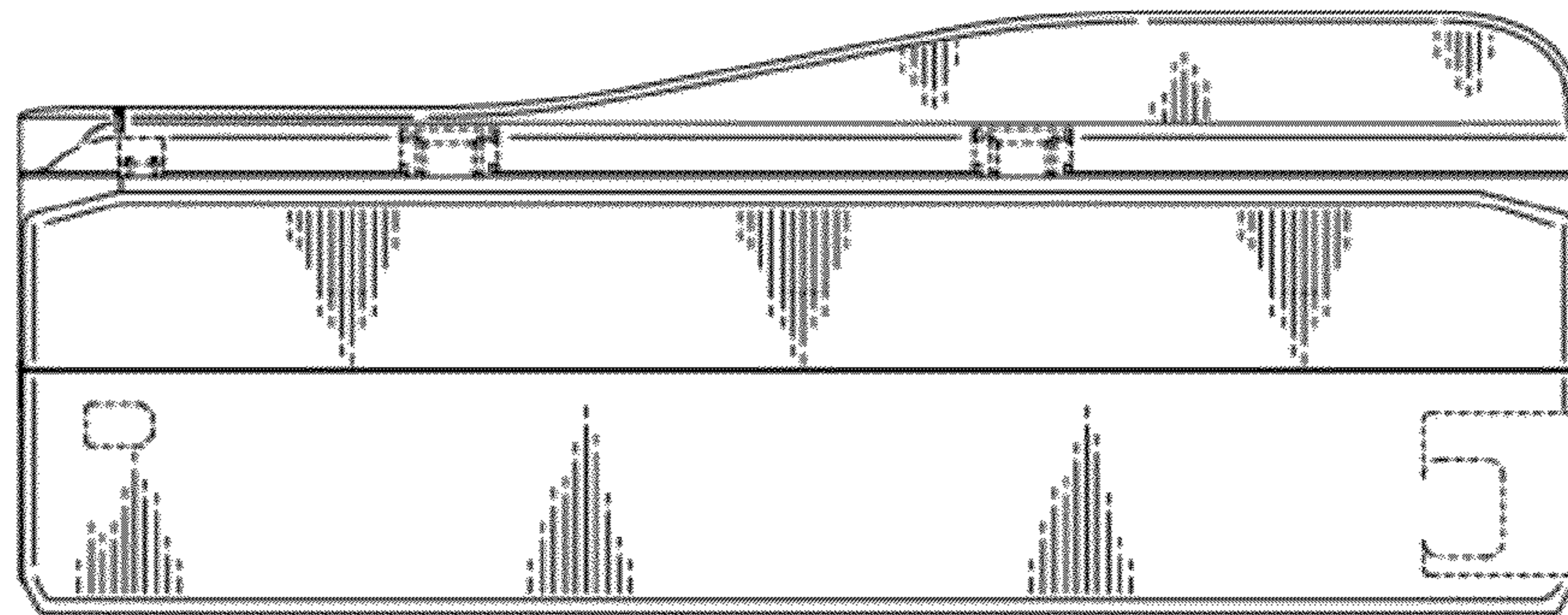


FIG. 5

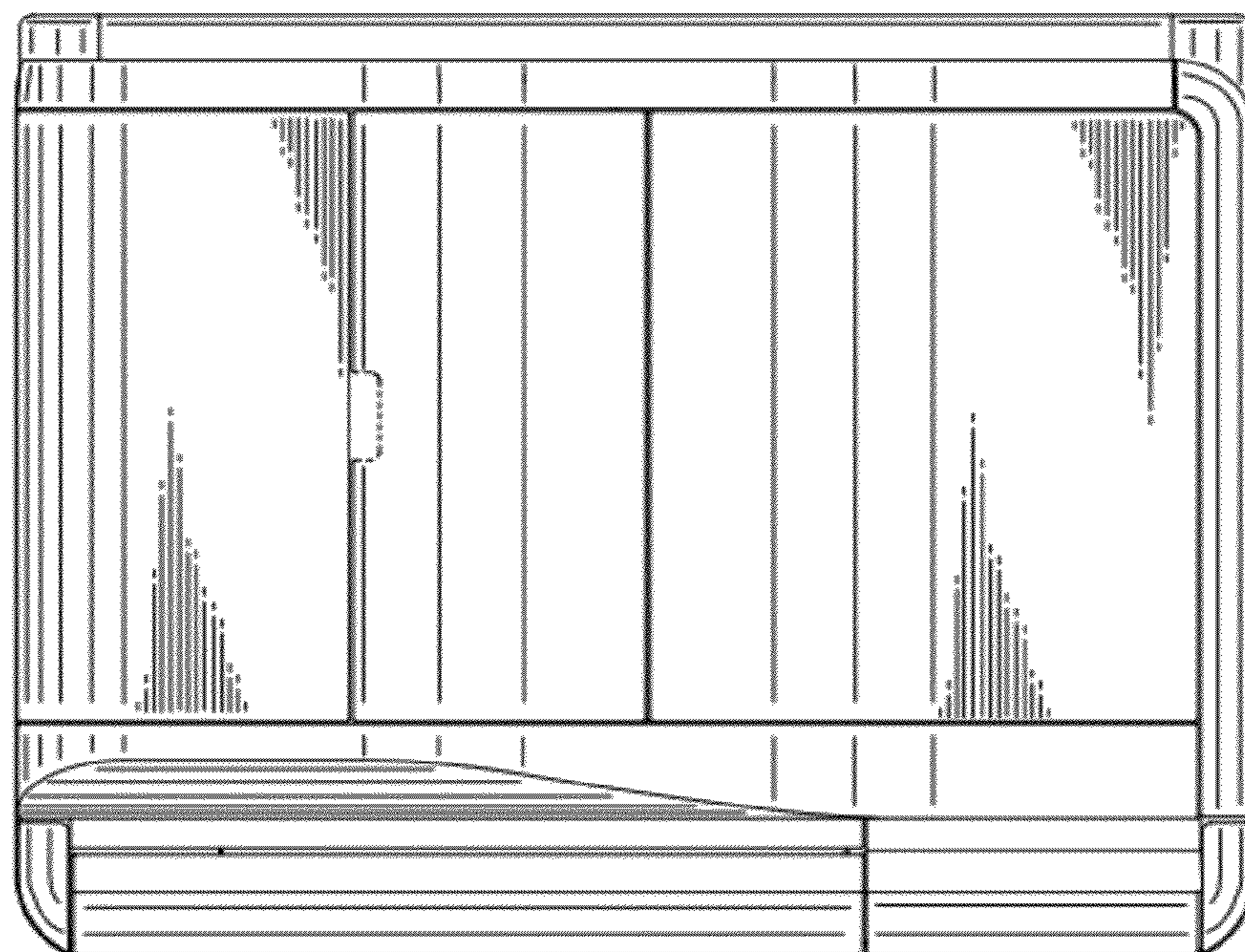


FIG. 6

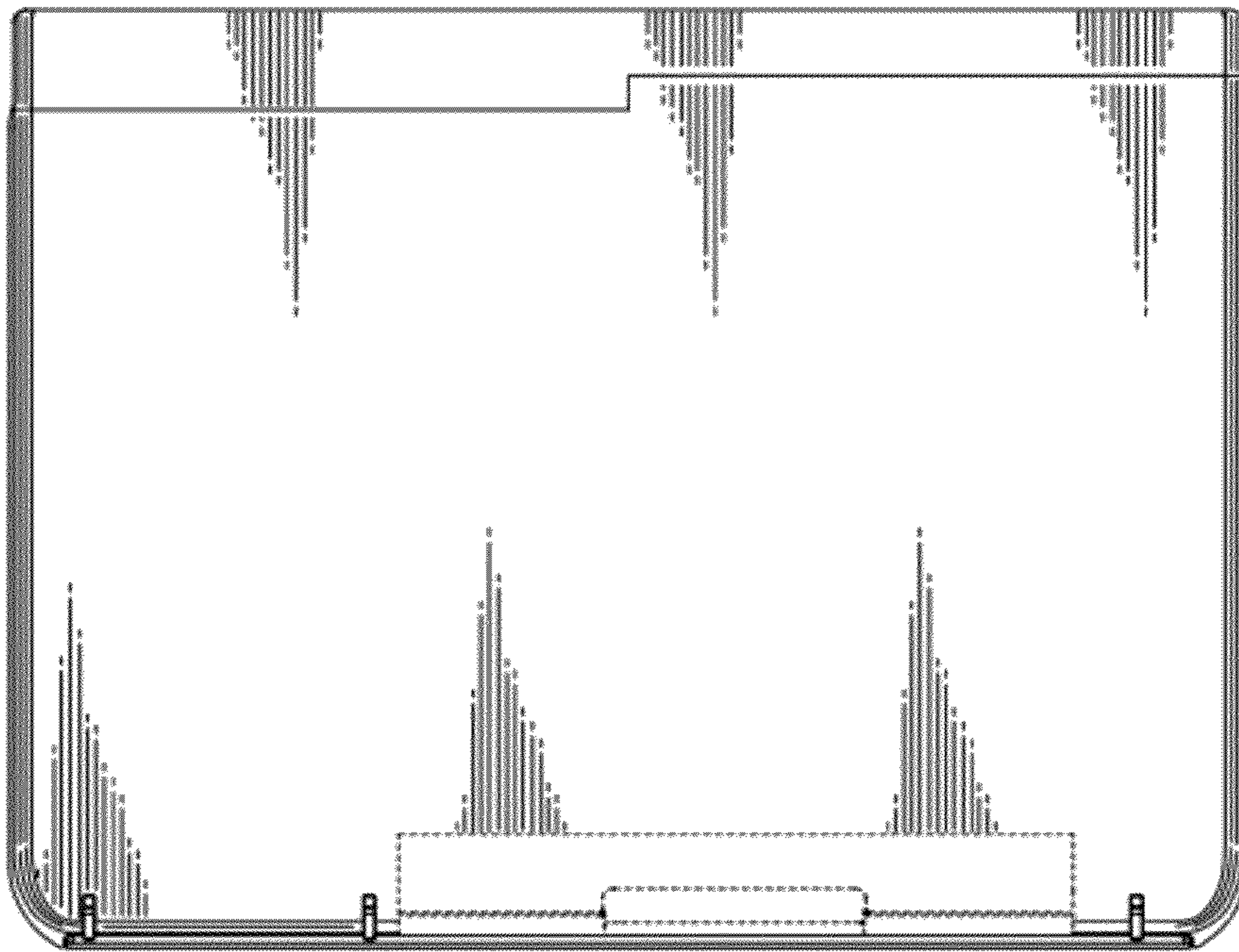


FIG. 7

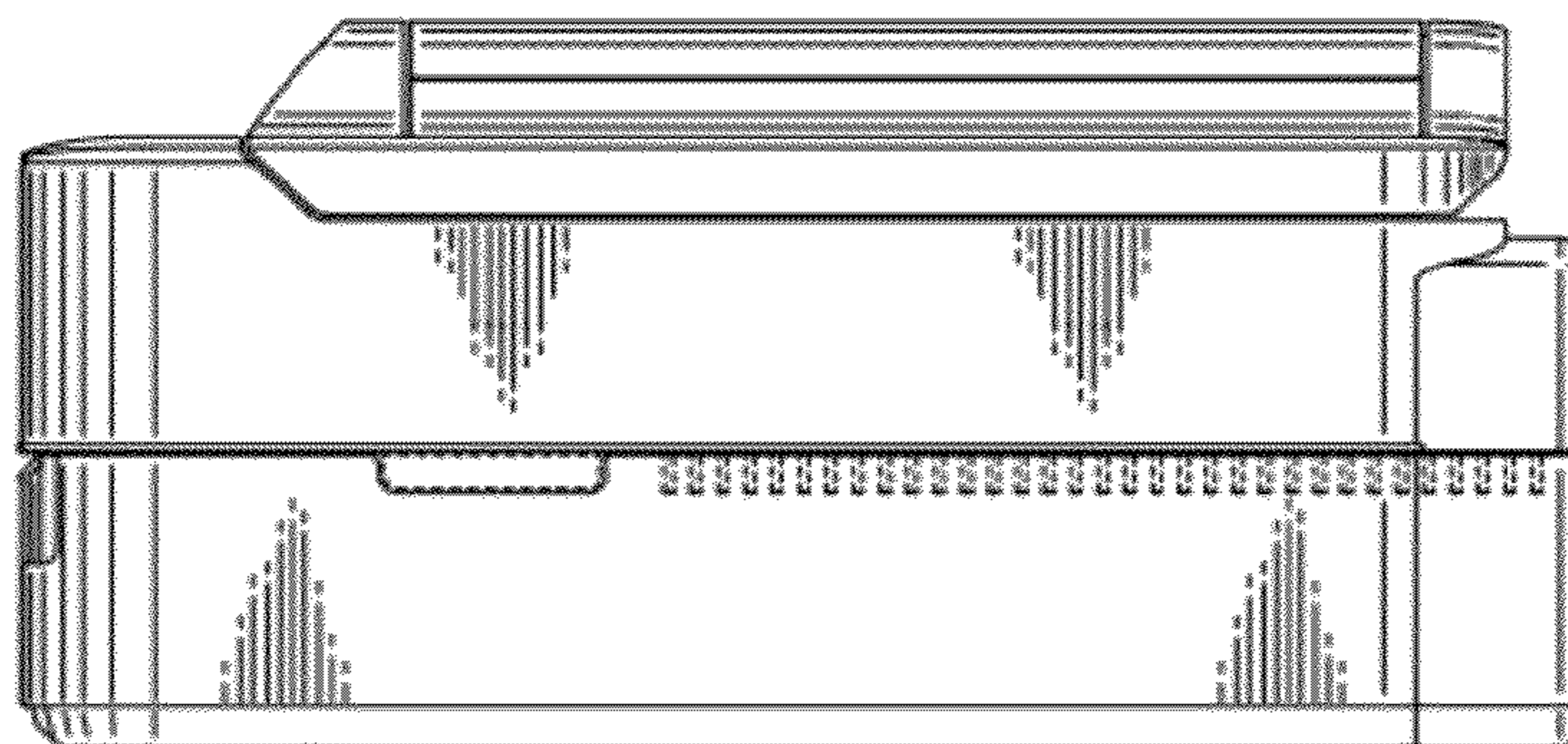


FIG. 8

