



US00D662129S

(12) **United States Design Patent**
Zeng et al.

(10) **Patent No.:** **US D662,129 S**
(45) **Date of Patent:** **** Jun. 19, 2012**

(54) **PROCESSING CARTRIDGE**
(75) Inventors: **Yangyun Zeng**, Zhuhai (CN); **Lingling Yu**, Zhuhai (CN)
(73) Assignee: **Zhuhai Seine Technology Limited**, Zhuhai, Guangdong (CN)

(**) Term: **14 Years**

(21) Appl. No.: **29/359,679**

(22) Filed: **Apr. 14, 2010**

(30) **Foreign Application Priority Data**

Oct. 15, 2009 (CN) 2009 3 0169918

(51) **LOC (9) Cl.** **16-03**

(52) **U.S. Cl.** **D18/43**

(58) **Field of Classification Search** D14/471;
D18/12, 36, 40, 43, 44, 56; 222/DIG. 1;
347/197, 222; 399/24-28, 107-112, 119,
399/121, 122, 222-224

See application file for complete search history.

(56) **References Cited**

U.S. PATENT DOCUMENTS

D442,624 S * 5/2001 Maeshima D18/43
D519,150 S * 4/2006 Kojima et al. D18/40

D551,286 S * 9/2007 Han D18/43
7,424,243 B2 * 9/2008 Kweon 399/107
D597,592 S * 8/2009 Kim D18/43
2008/0298838 A1 * 12/2008 Sato et al. 399/119
2009/0003874 A1 * 1/2009 Silva 399/109
2009/0238603 A1 * 9/2009 Kusudo et al. 399/111

* cited by examiner

Primary Examiner — Garth Rademaker

(74) *Attorney, Agent, or Firm* — Jackson IPG PLLC;
Demian K. Jackson

(57) **CLAIM**

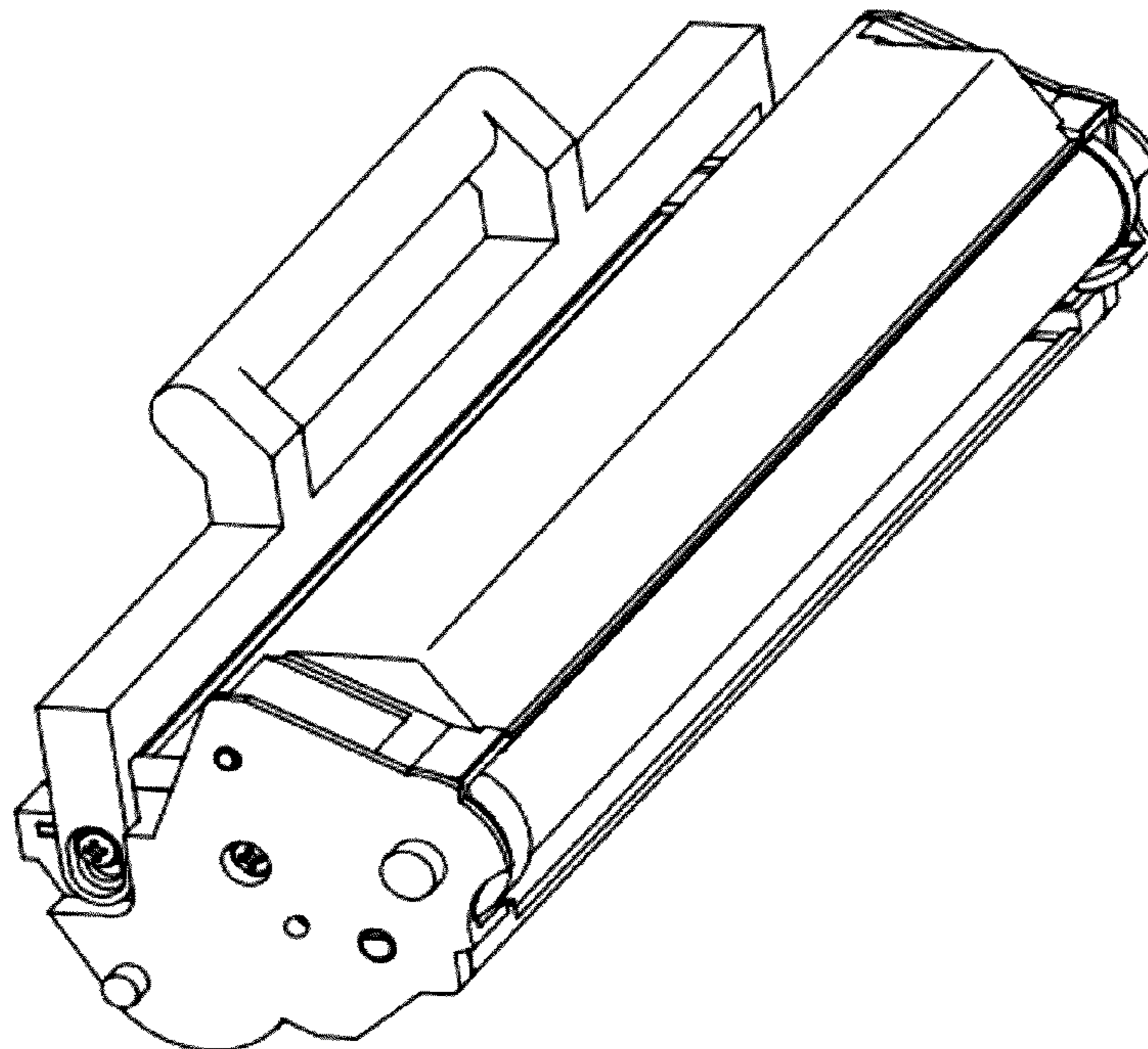
The ornamental design for a processing cartridge, as shown and described.

DESCRIPTION

FIG. 1 is a top, rear, left side perspective view of a processing cartridge showing our new design;
FIG. 2 is a front elevational view thereof;
FIG. 3 is a top plan view thereof;
FIG. 4 is a bottom plan view thereof;
FIG. 5 is a rear elevational view thereof;
FIG. 6 is a left side elevational view thereof; and,
FIG. 7 is a right side elevational view thereof.

Those portions of the design shown in the Figures by broken lines indicate environmental subject matter and form no part of the claimed design.

1 Claim, 3 Drawing Sheets



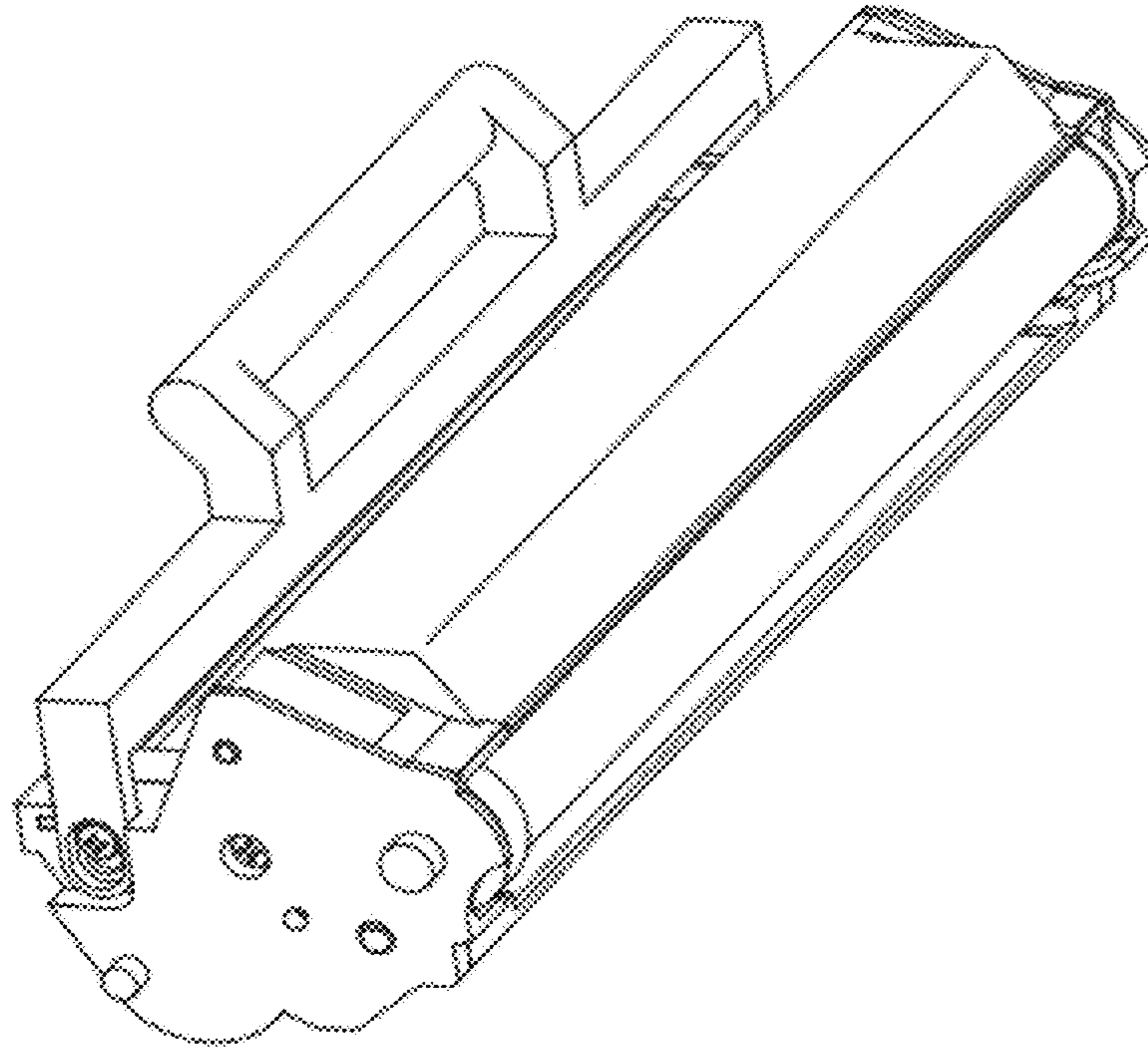


FIG. 1

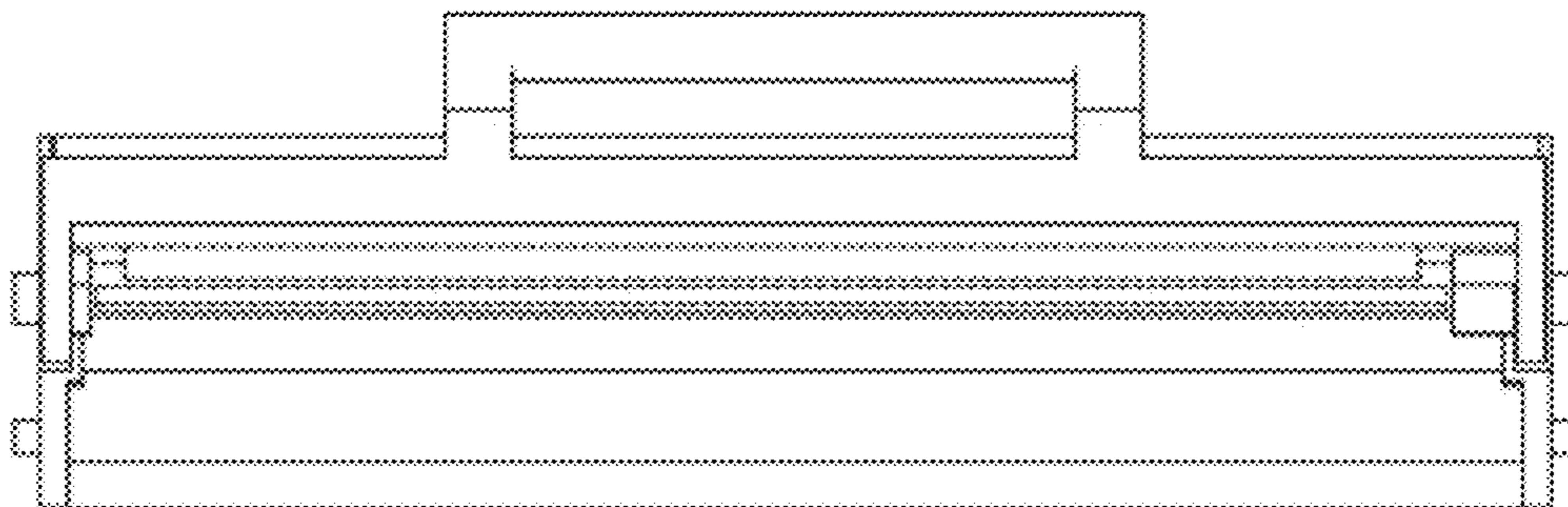


FIG. 2

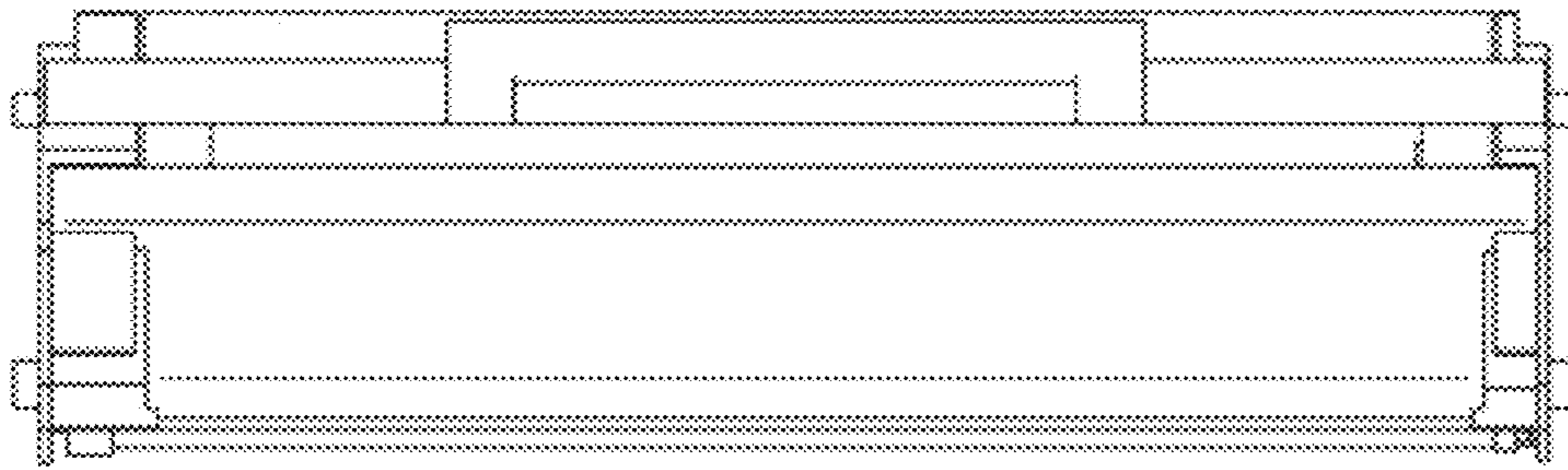


FIG. 3

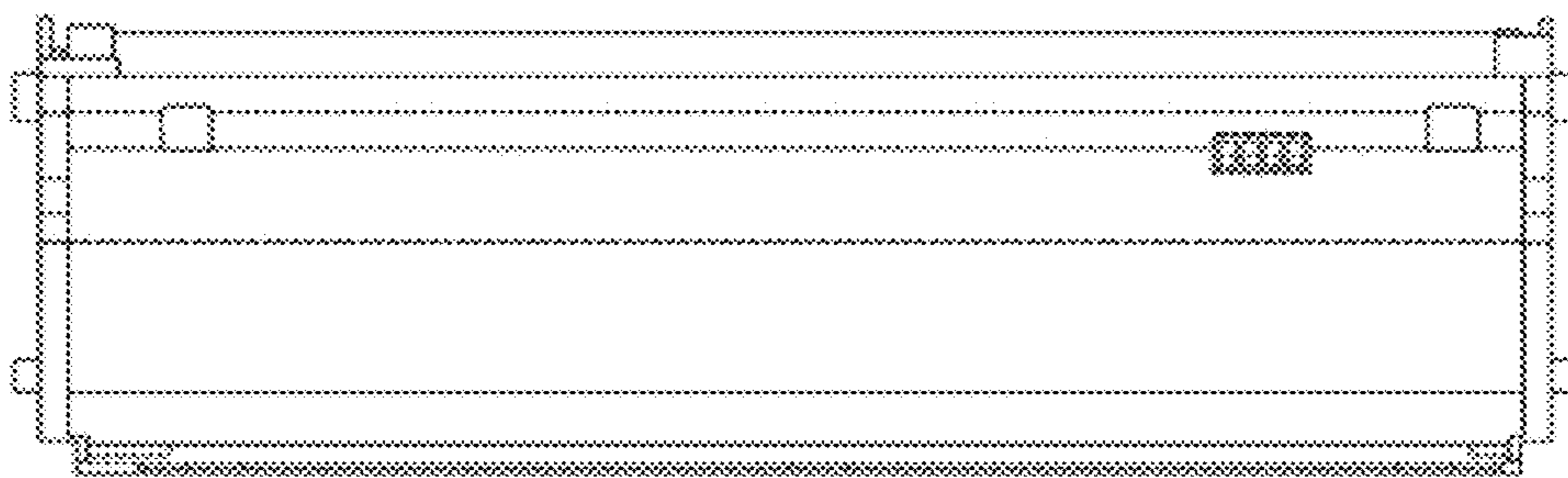


FIG. 4

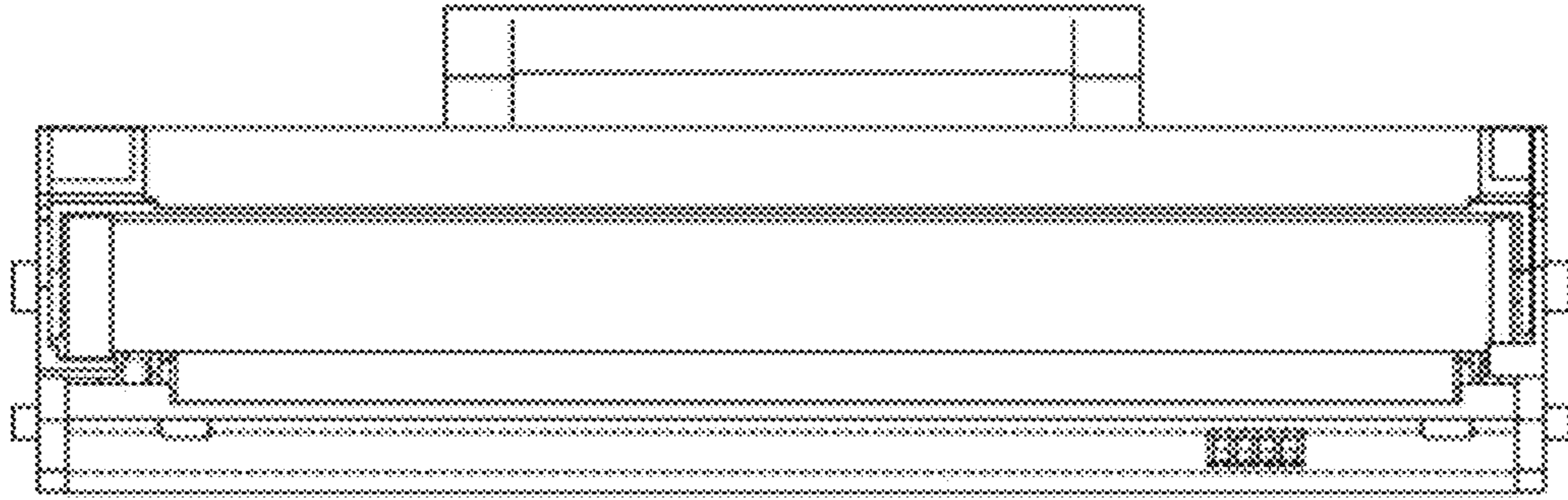


FIG. 5

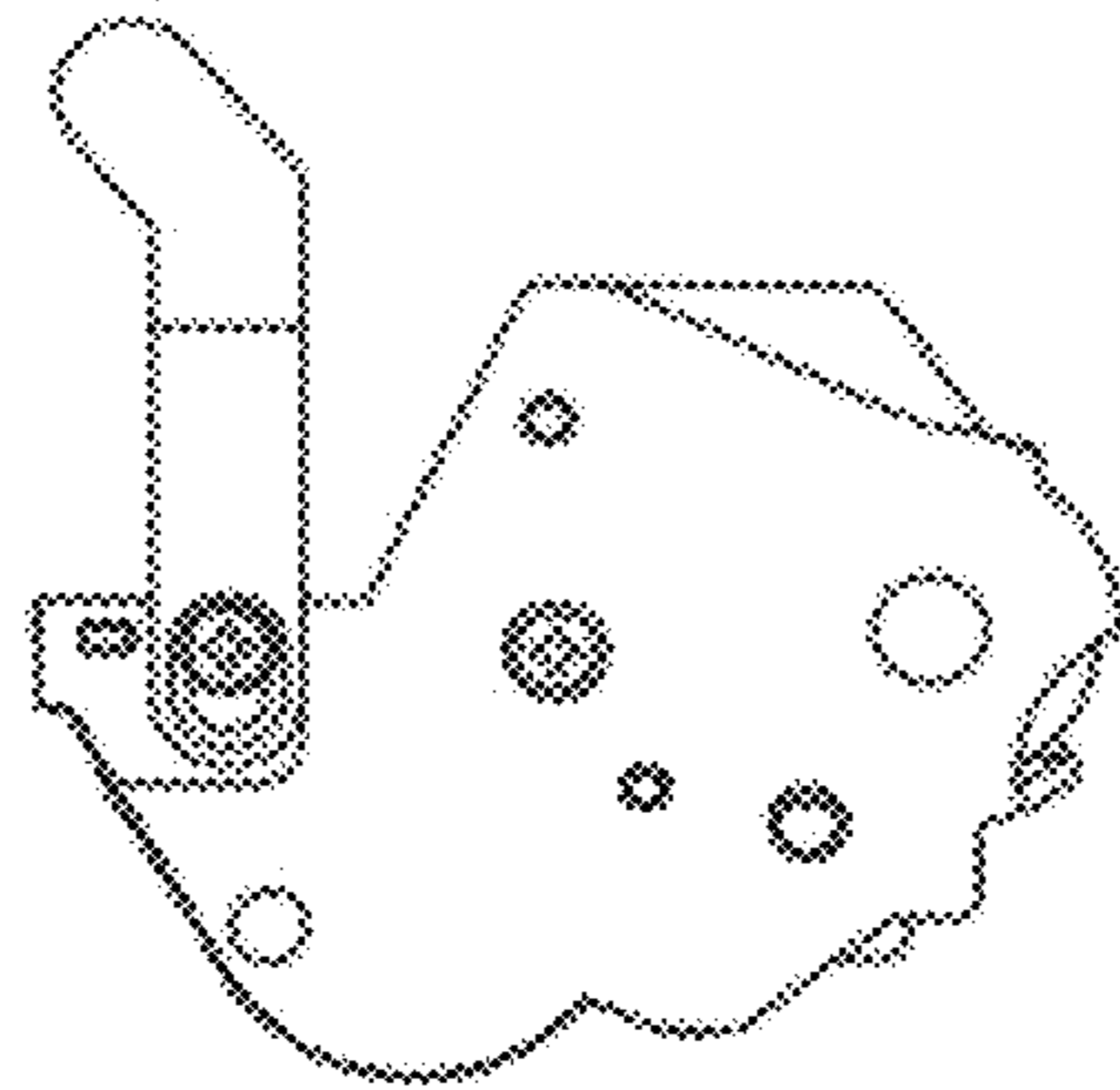


FIG. 6

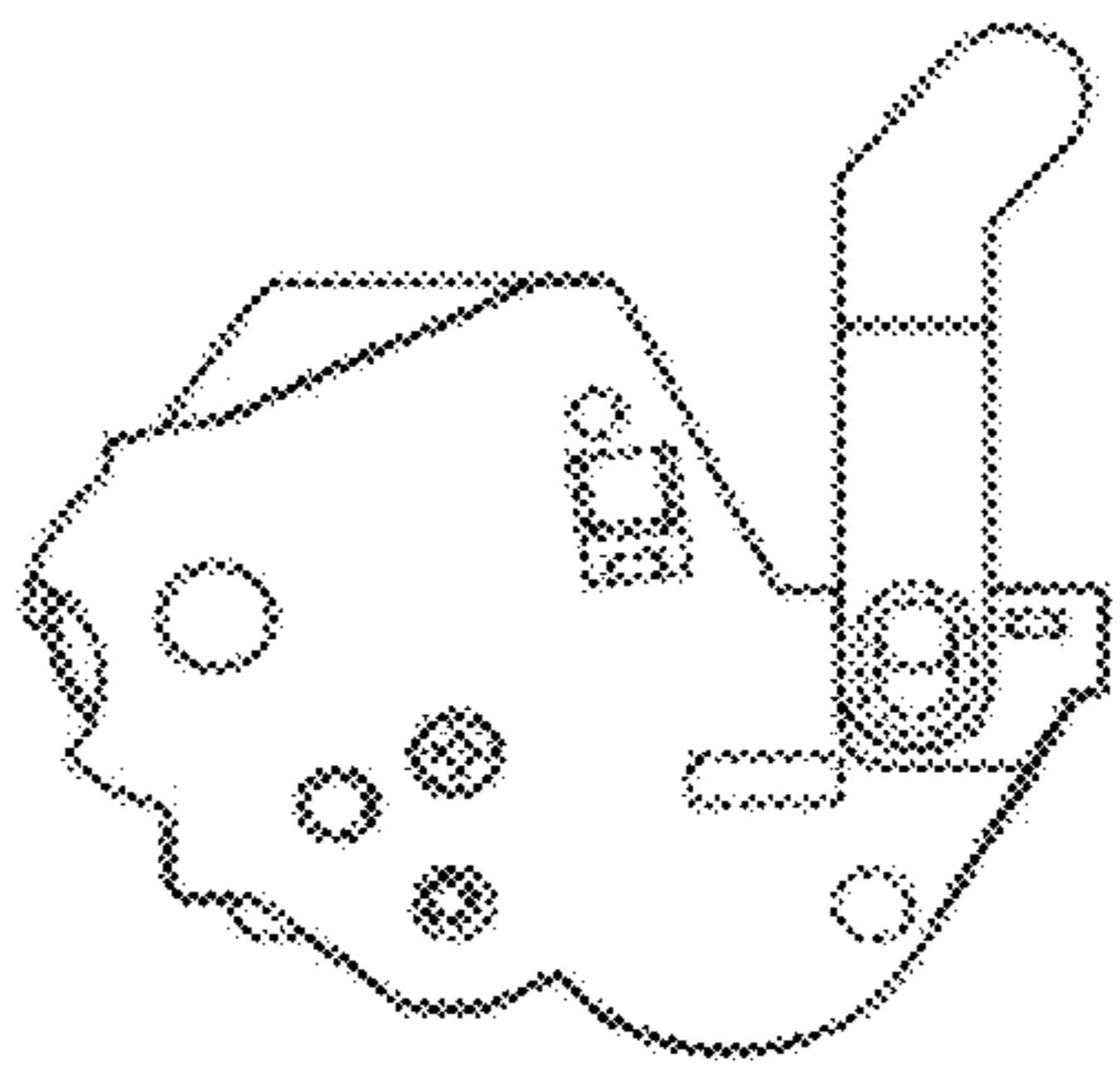


FIG. 7