

US00D662128S

(12) **United States Design Patent**  
**Nuttall**

(10) **Patent No.:** **US D662,128 S**

(45) **Date of Patent:** **\*\* Jun. 19, 2012**

(54) **GUITAR BRIDGE PIN**

(76) Inventor: **Paul Nuttall**, Clitheroe (GB)

(\*\*) Term: **14 Years**

(21) Appl. No.: **29/392,391**

(22) Filed: **May 20, 2011**

(51) **LOC (9) Cl.** ..... **17-03**

(52) **U.S. Cl.** ..... **D17/20**

(58) **Field of Classification Search** ..... D17/14,  
D17/15, 18-21; 84/297 R, 298, 299, 307  
See application file for complete search history.

(56) **References Cited**

**U.S. PATENT DOCUMENTS**

572,677	A *	12/1896	Goodwin	.....	84/297 R
835,085	A *	11/1906	Webb	.....	84/298
1,811,738	A *	6/1931	Williams	.....	84/297 R
2,585,661	A *	2/1952	Kluson	.....	84/299
4,197,779	A *	4/1980	Holman	.....	84/298
4,202,240	A	5/1980	Smith		
D260,271	S *	8/1981	Smirne	.....	D17/20
4,807,508	A *	2/1989	Yairi	.....	84/297 R
5,477,764	A *	12/1995	Carrico	.....	84/297 R

5,686,677	A *	11/1997	Herbert	.....	84/307
7,632,997	B2 *	12/2009	Small et al.	.....	84/306
7,659,467	B2 *	2/2010	Adams	.....	84/306
7,663,039	B2 *	2/2010	Maiorana	.....	84/313

\* cited by examiner

*Primary Examiner* — Ian Simmons

*Assistant Examiner* — Carissa C Fitts

(74) *Attorney, Agent, or Firm* — Speckman Law Group PLLC

(57) **CLAIM**

The ornamental design for a guitar bridge pin, substantially as shown and described.

**DESCRIPTION**

FIG. 1 is a front perspective view of a guitar bridge pin;  
FIG. 2 is a front elevation view thereof;  
FIG. 3 is a rear elevation view thereof;  
FIG. 4 is a side elevation view thereof;  
FIG. 5 is another side elevation view thereof;  
FIG. 6 is a top plan view thereof;  
FIG. 7 is a bottom plan view thereof; and,  
FIG. 8 is a rear perspective view thereof.

**1 Claim, 1 Drawing Sheet**

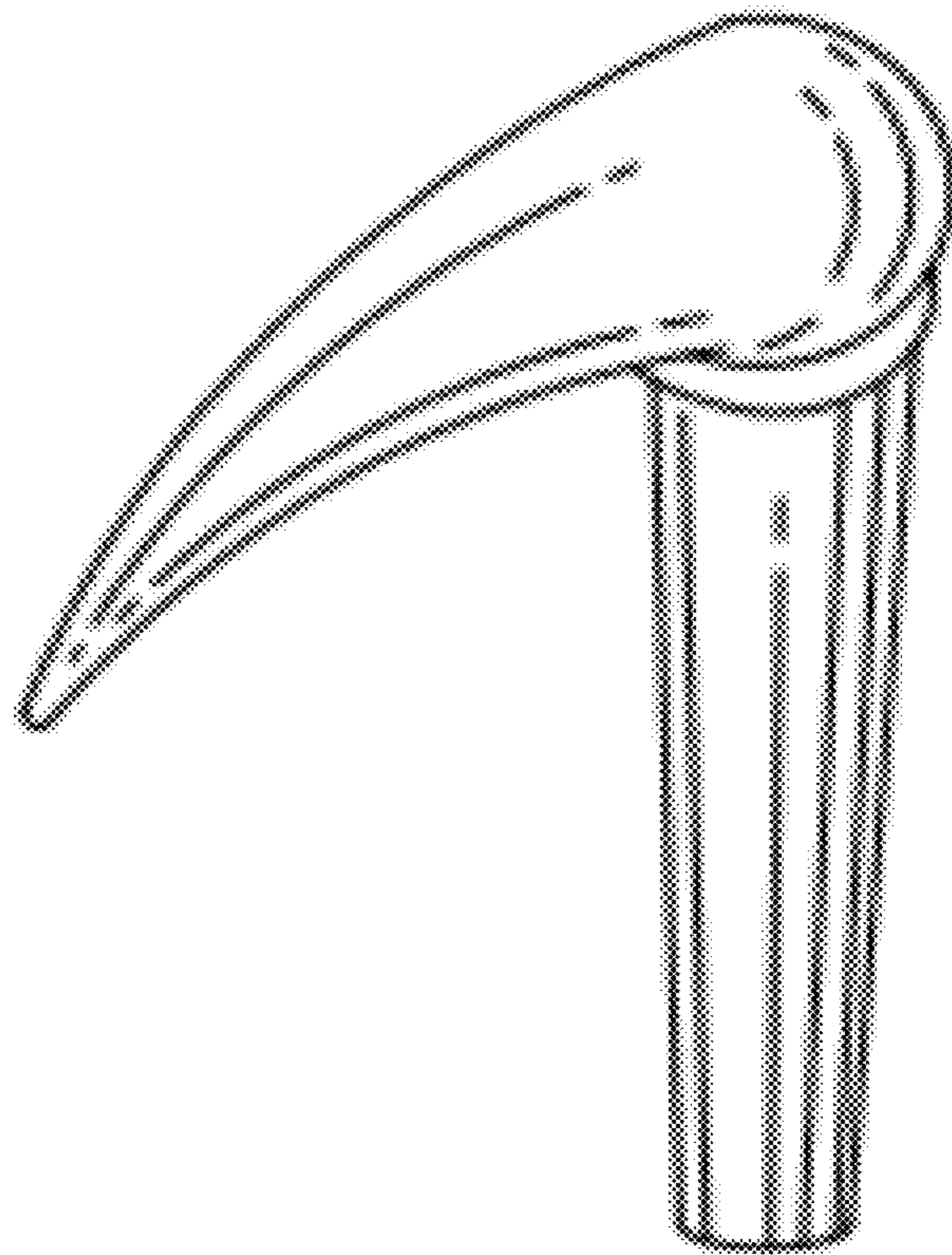


FIG. 1

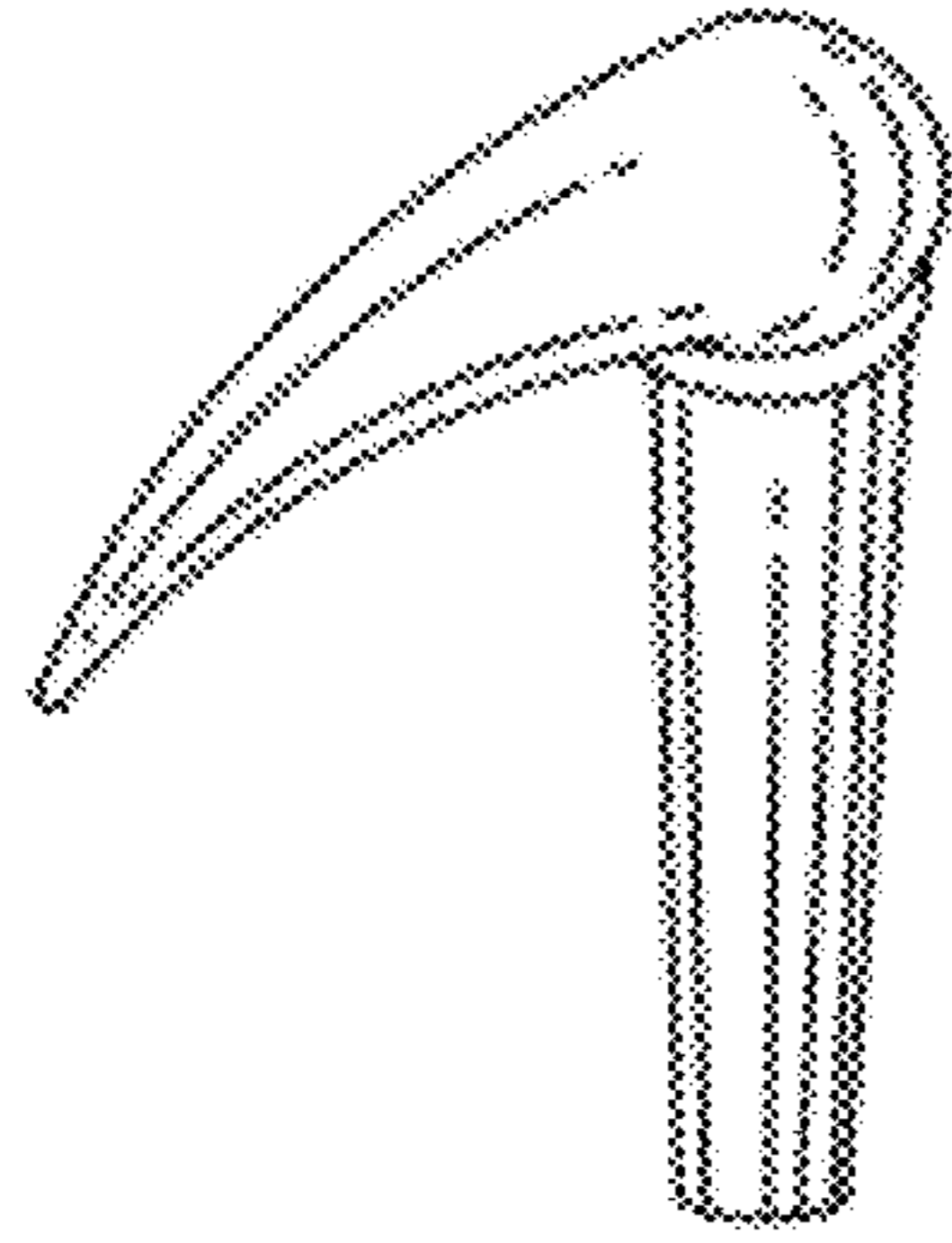


FIG. 2

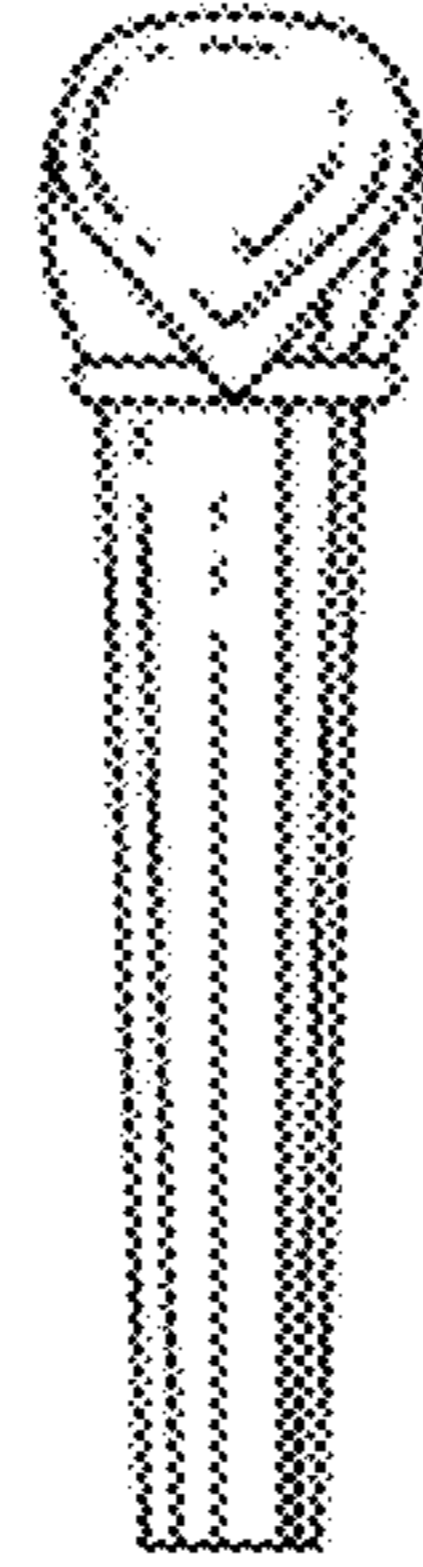


FIG. 3

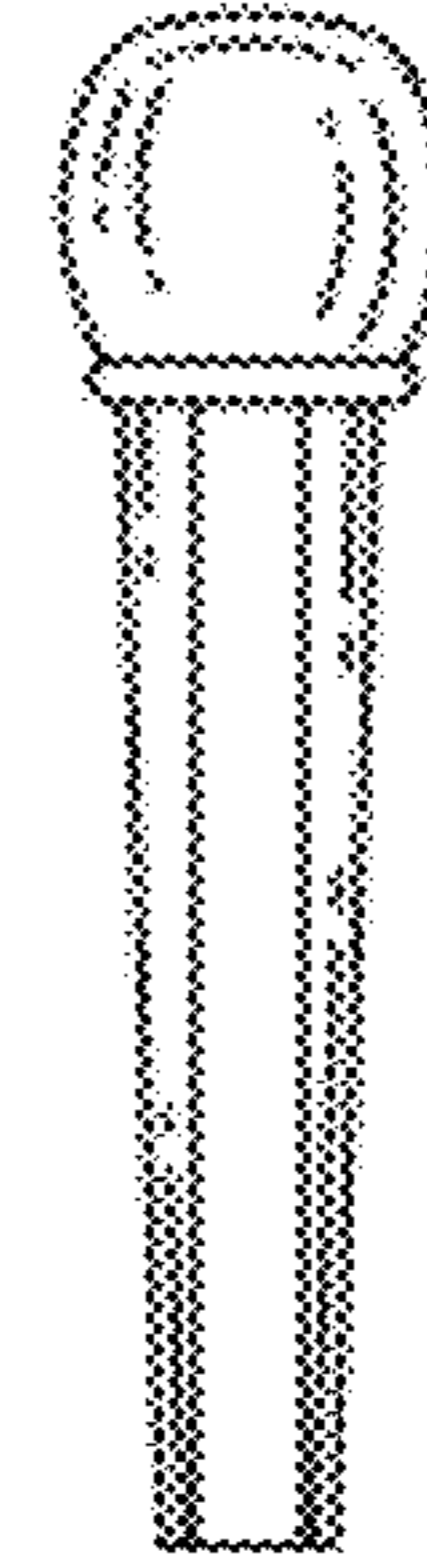


FIG. 4

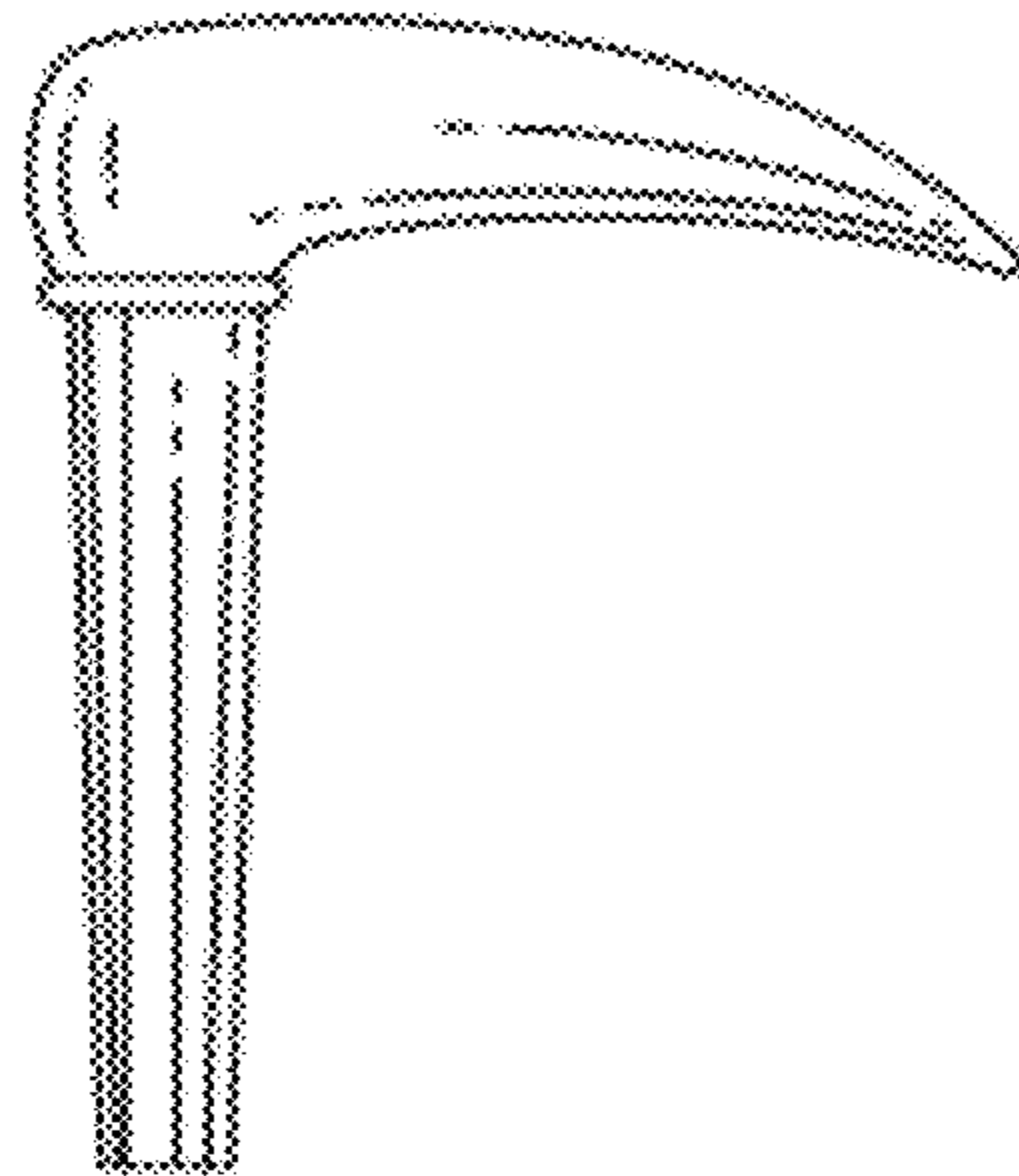


FIG. 5

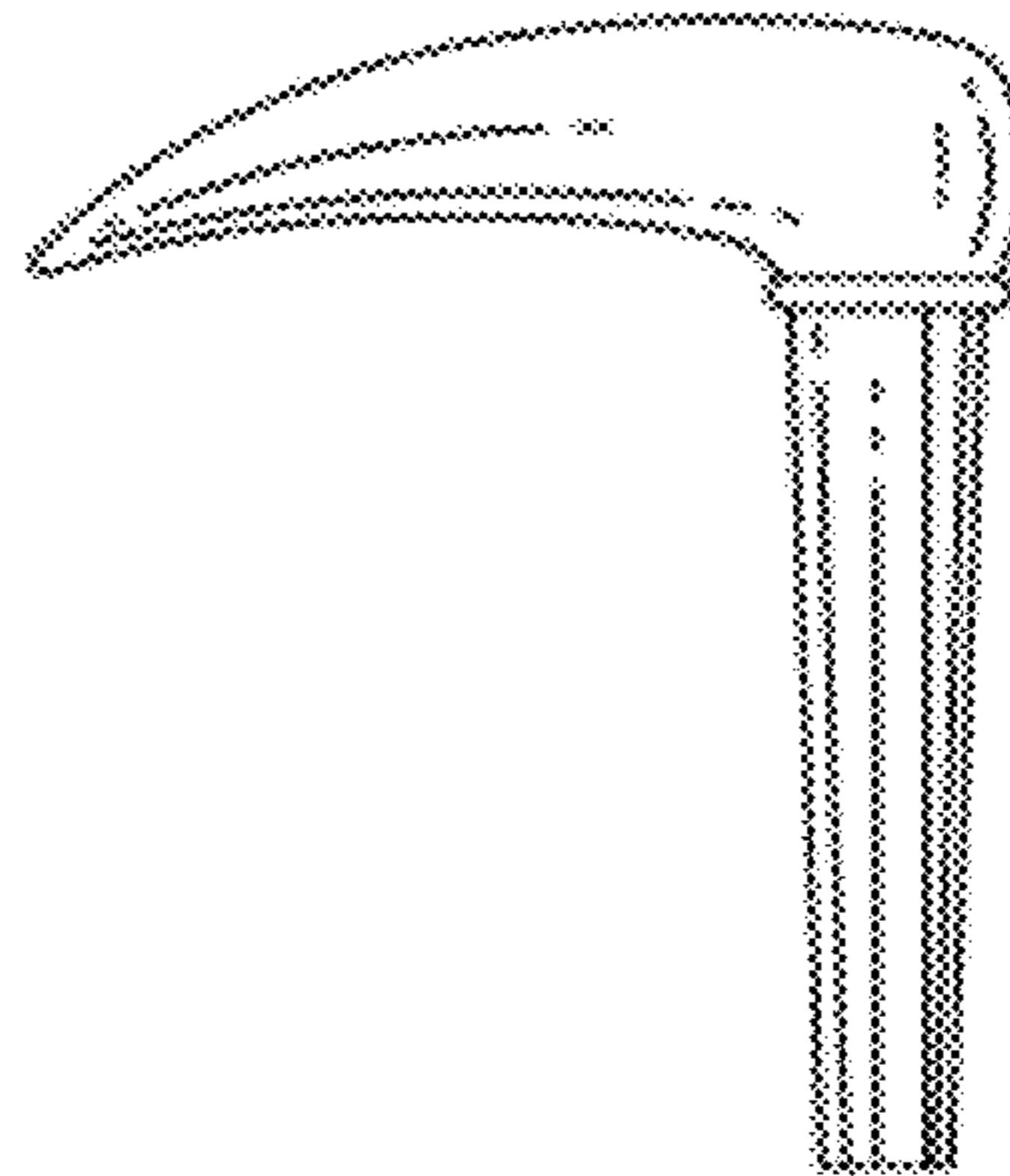


FIG. 6

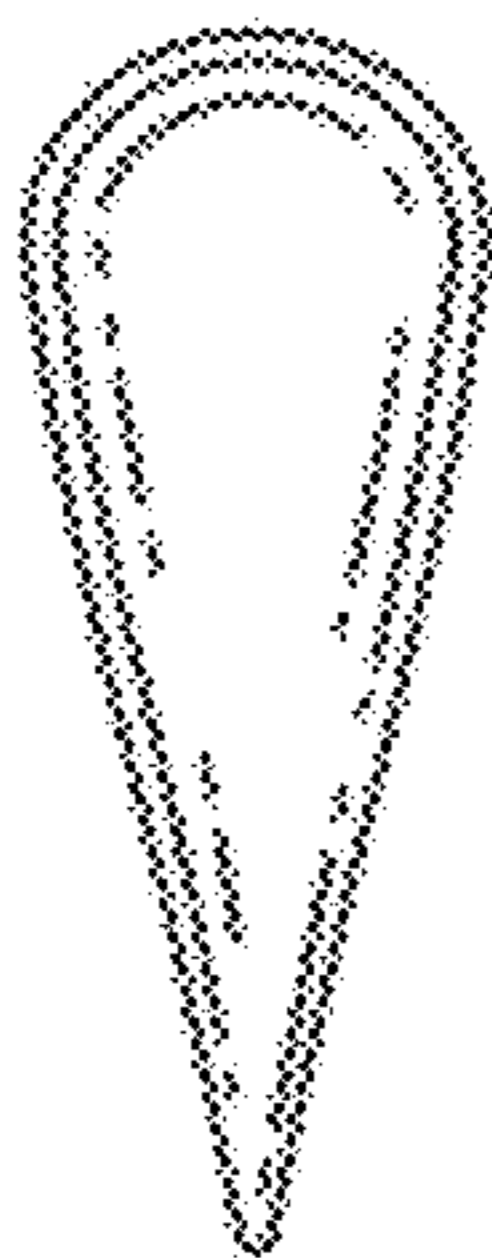


FIG. 7

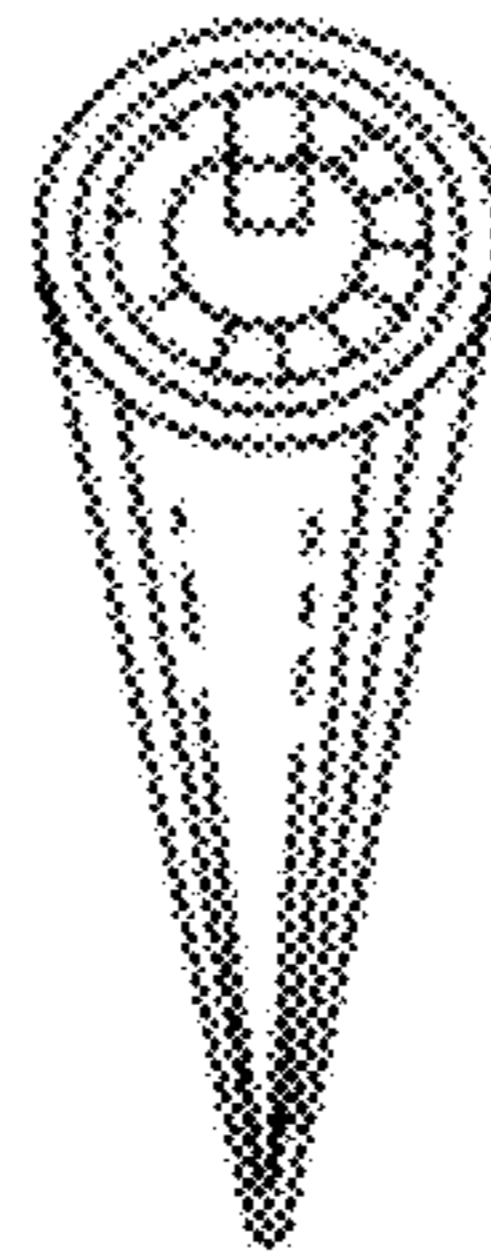


FIG. 8

