



US00D662121S

(12) **United States Design Patent**
Rodriguez et al.

(10) **Patent No.:** **US D662,121 S**
(45) **Date of Patent:** **** Jun. 19, 2012**

(54) **PORTABLE MAGNIFIER CAMERA**

(75) Inventors: **Carlos M. Rodriguez**, Palm Harbor, FL (US); **Michael Goldenberg**, Melbourne Beach, FL (US); **Lee Hamilton**, Tampa, FL (US); **Bradley S. Davis**, Largo, FL (US)

(73) Assignee: **Freedom Scientific**, St. Petersburg, FL (US)

(**) Term: **14 Years**

(21) Appl. No.: **29/386,933**

(22) Filed: **Mar. 7, 2011**

(51) **LOC (9) Cl.** **16-01**

(52) **U.S. Cl.** **D16/208; D14/423; D16/232**

(58) **Field of Classification Search** D14/423;
D16/200, 208, 221, 225, 232; 348/373, 376;
396/430, 431

See application file for complete search history.

(56) **References Cited**

U.S. PATENT DOCUMENTS

D411,833	S *	7/1999	Iwakawa et al.	D14/423
D425,098	S *	5/2000	Oh	D16/232
D482,382	S *	11/2003	Kurokawa	D16/232
7,245,441	B2 *	7/2007	Wu et al.	396/430
D607,482	S *	1/2010	Inoue et al.	D16/208
D642,608	S *	8/2011	Kato	D16/232
D651,635	S *	1/2012	Hong	D16/208

* cited by examiner

Primary Examiner — Adir Aronovich

(74) *Attorney, Agent, or Firm* — GrayRobinson, P.A.; Michael J. Colitz, III

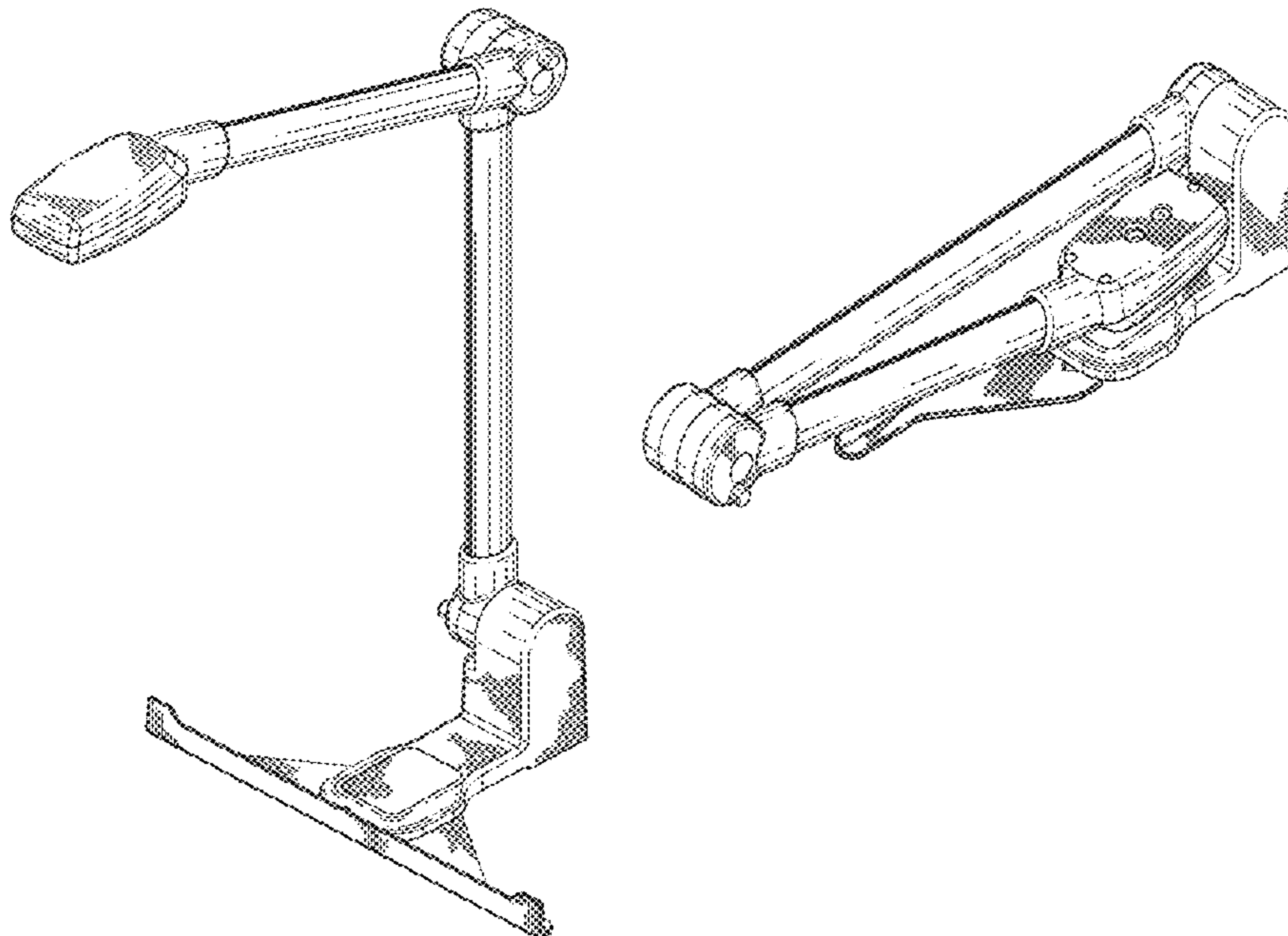
(57) **CLAIM**

The ornamental design for a portable magnifier camera, as shown and described.

DESCRIPTION

FIG. 1 is a perspective view of the portable magnifier camera of the present invention;
 FIG. 2 is a front elevational view of the portable magnifier camera of the present invention;
 FIG. 3 is a right side elevational view of the portable magnifier camera of the present invention;
 FIG. 4 is a rear elevational view of the portable magnifier camera of the present invention;
 FIG. 5 is a left side elevational view of the portable magnifier camera of the present invention;
 FIG. 6 is a top plan view of the portable magnifier camera of the present invention;
 FIG. 7 a bottom plan view of the portable magnifier camera of the present invention;
 FIG. 8 is perspective view of the portable magnifier camera in a folded orientation.
 FIG. 9 is front elevational view of the portable magnifier camera in a folded orientation.
 FIG. 10 is right side elevational view of the portable magnifier camera in a folded orientation.
 FIG. 11 is a rear elevational view of the portable magnifier camera in a folded orientation;
 FIG. 12 is left side elevational view of the portable magnifier camera in a folded orientation.
 FIG. 13 is a top plan view of the portable magnifier camera in a folded orientation; and,
 FIG. 14 is a bottom plan view of the portable magnifier camera in a folded orientation.

1 Claim, 14 Drawing Sheets



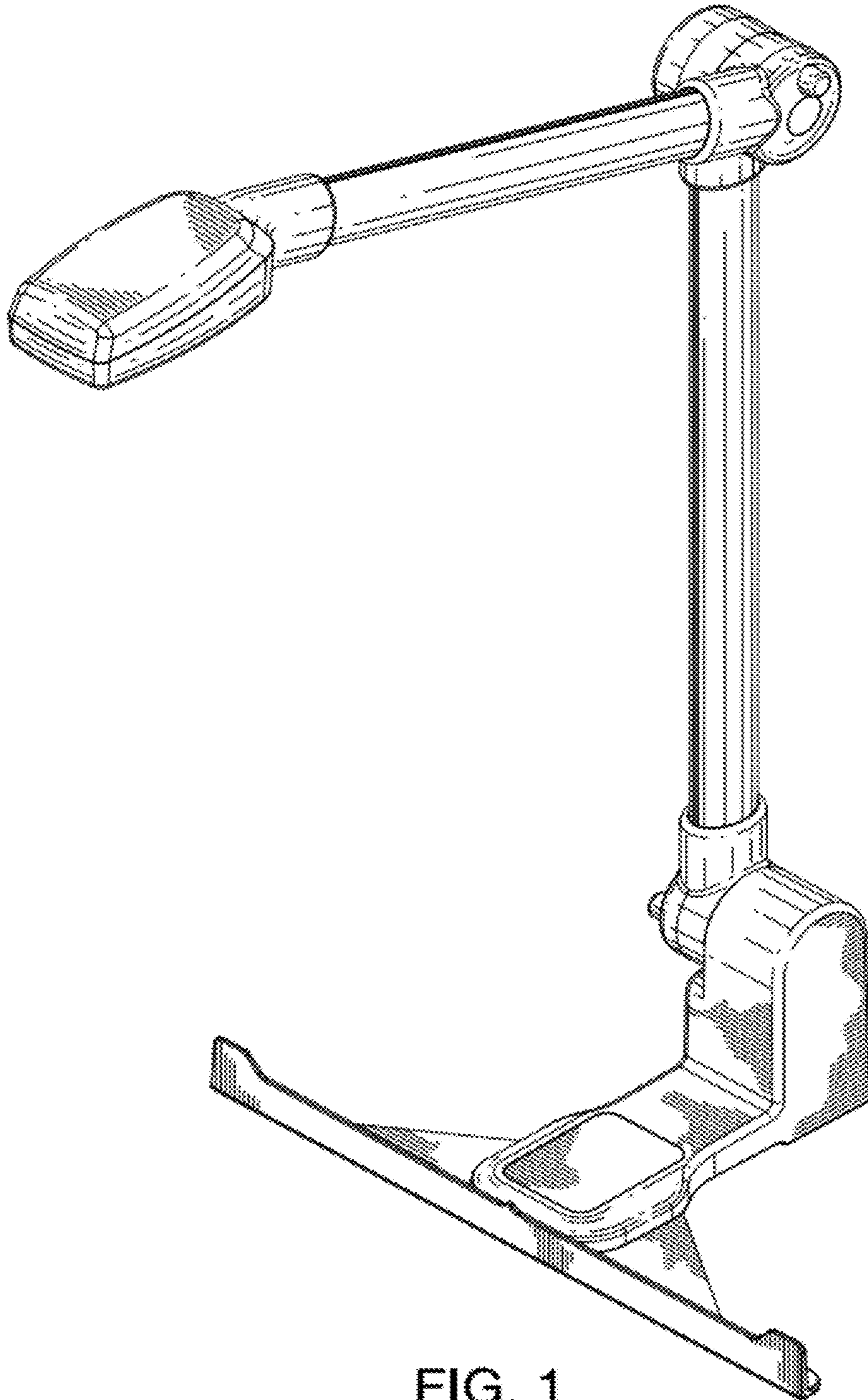


FIG. 1

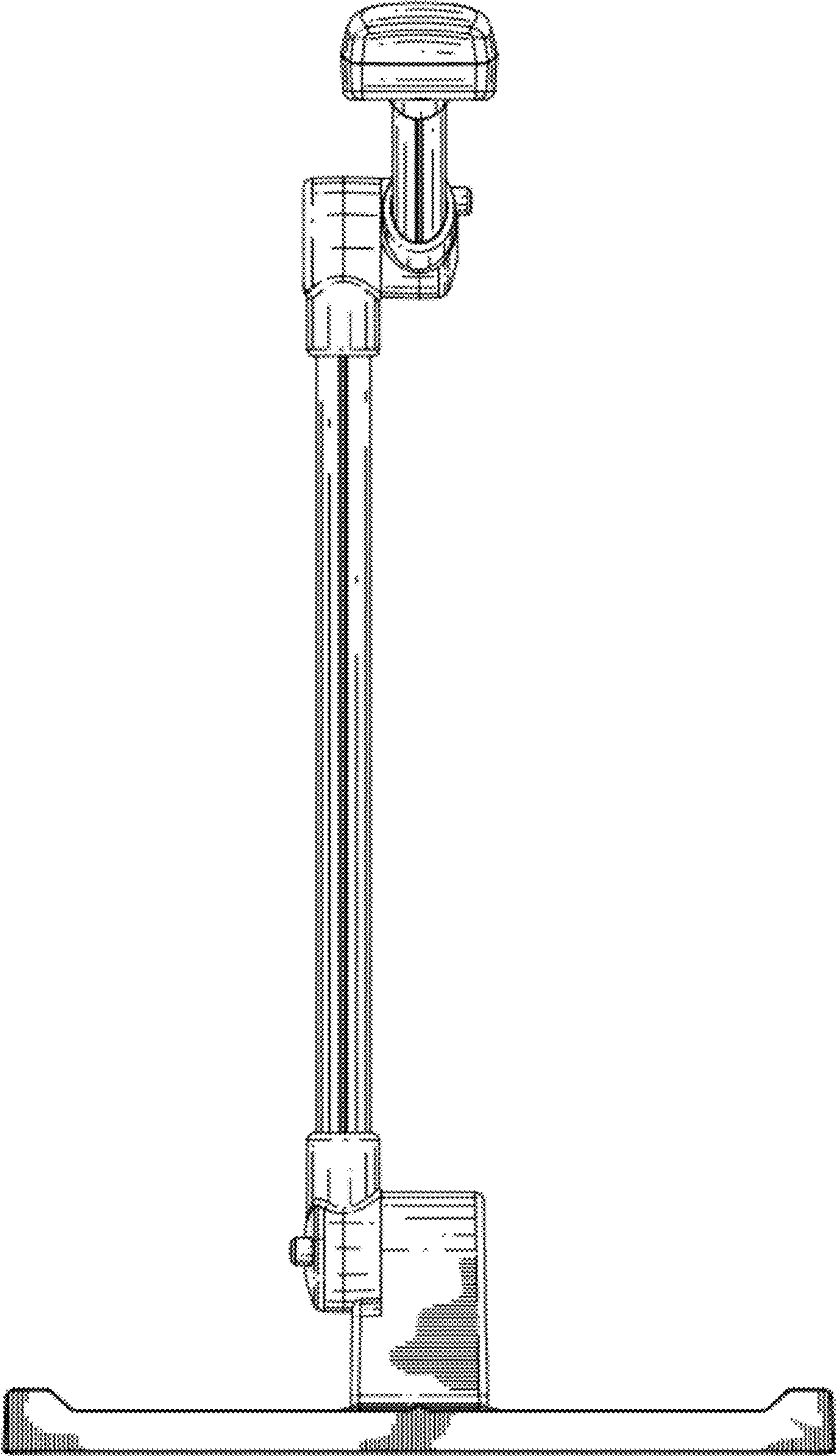


FIG. 2

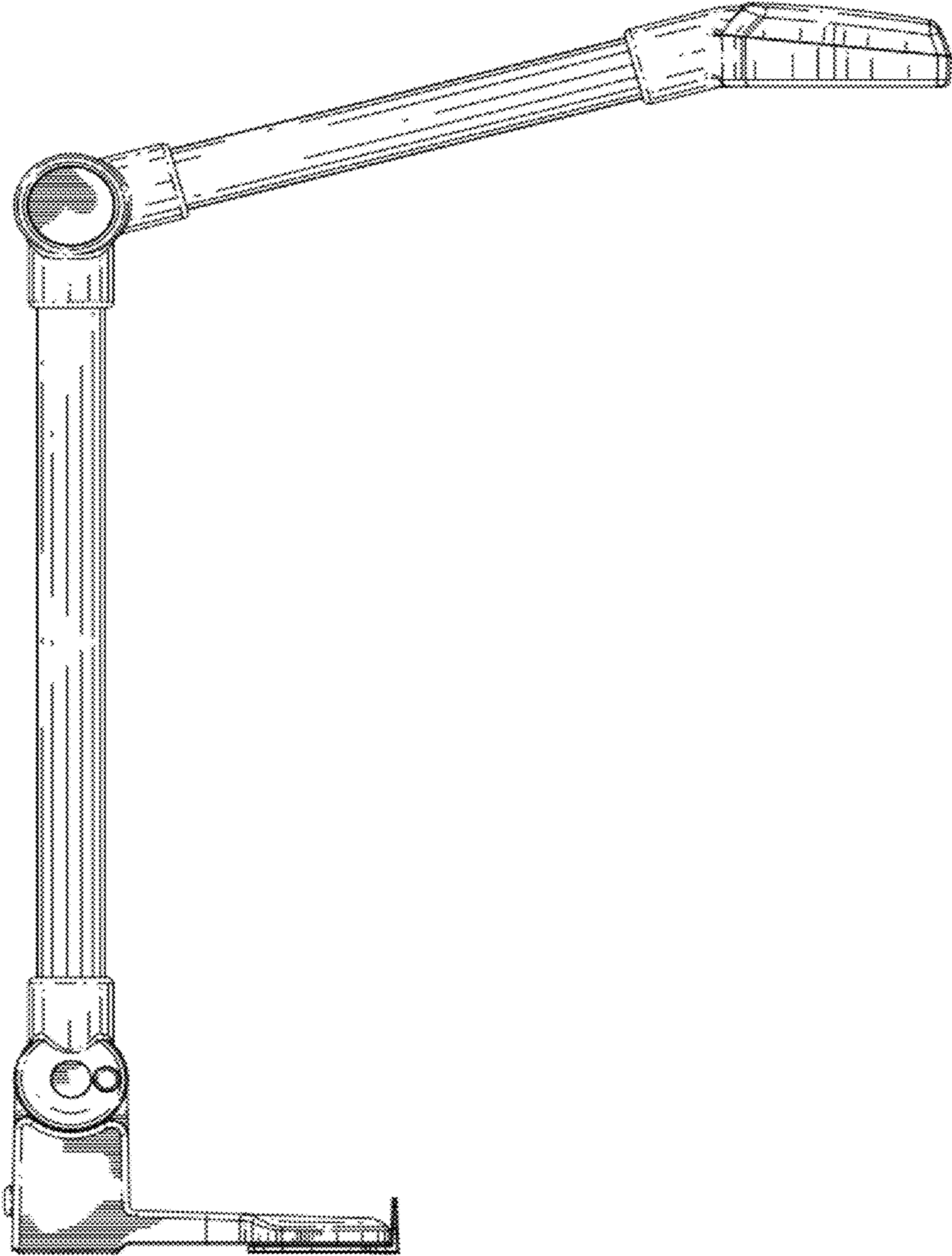


FIG. 3

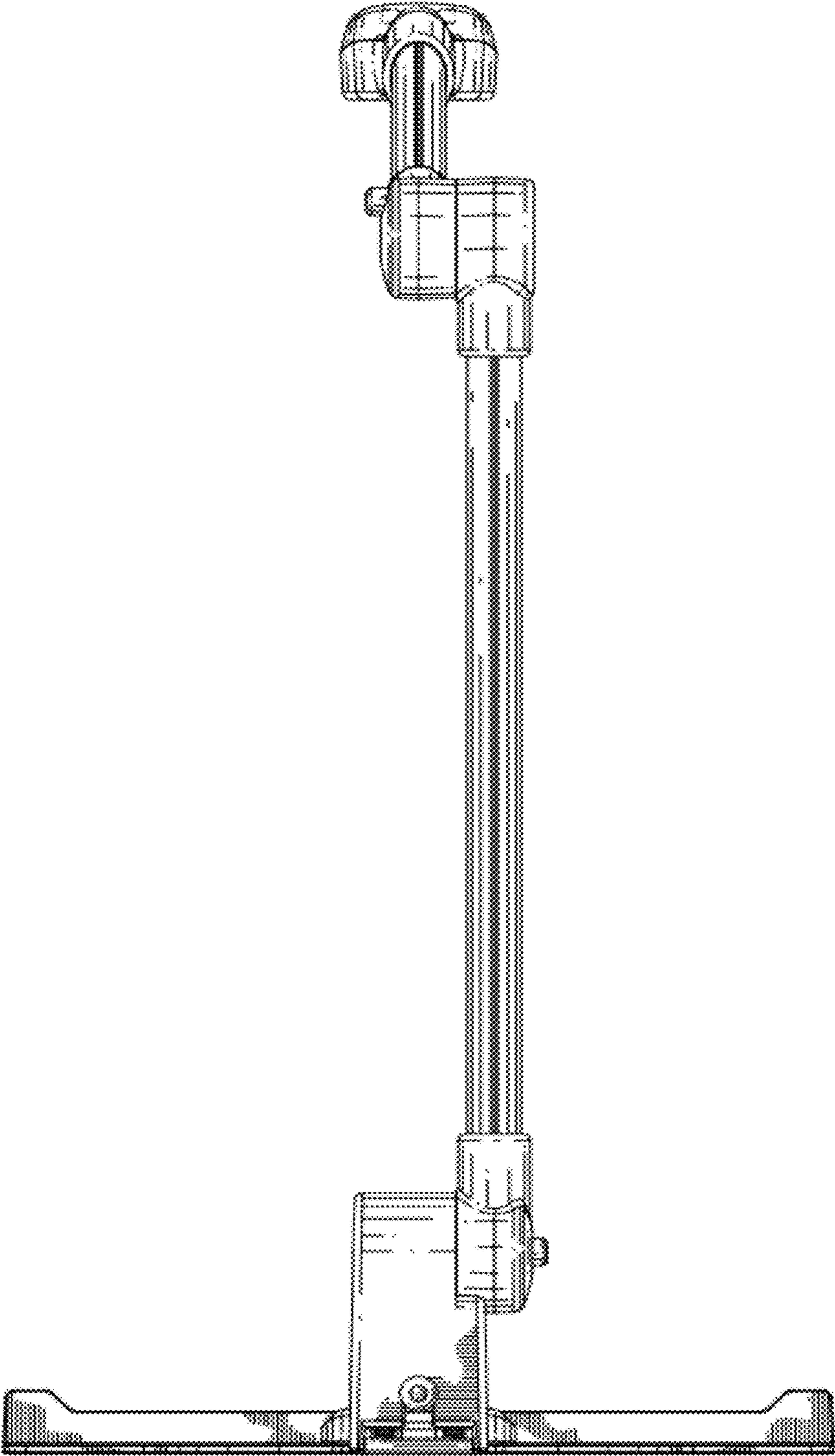


FIG. 4

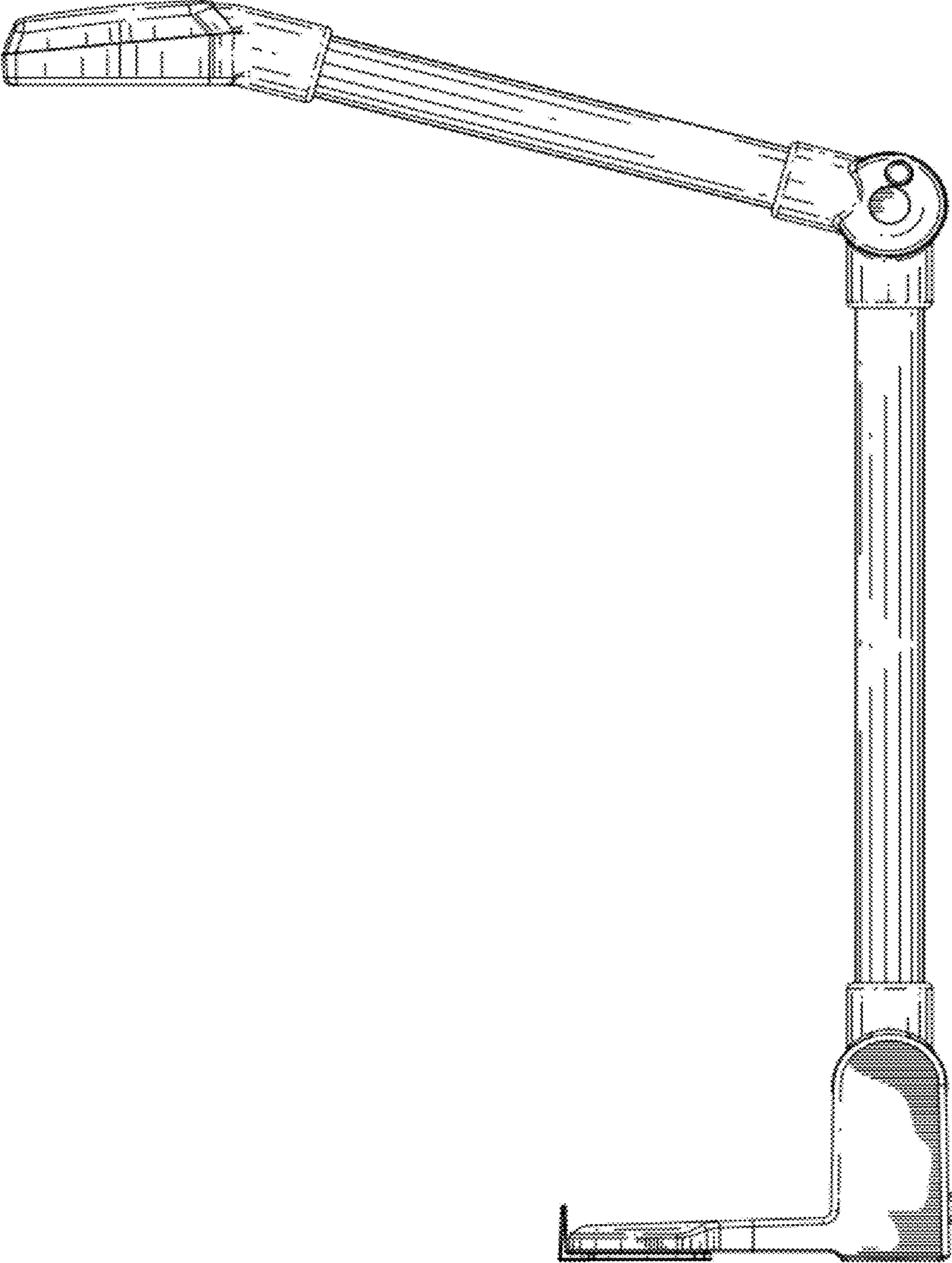


FIG. 5

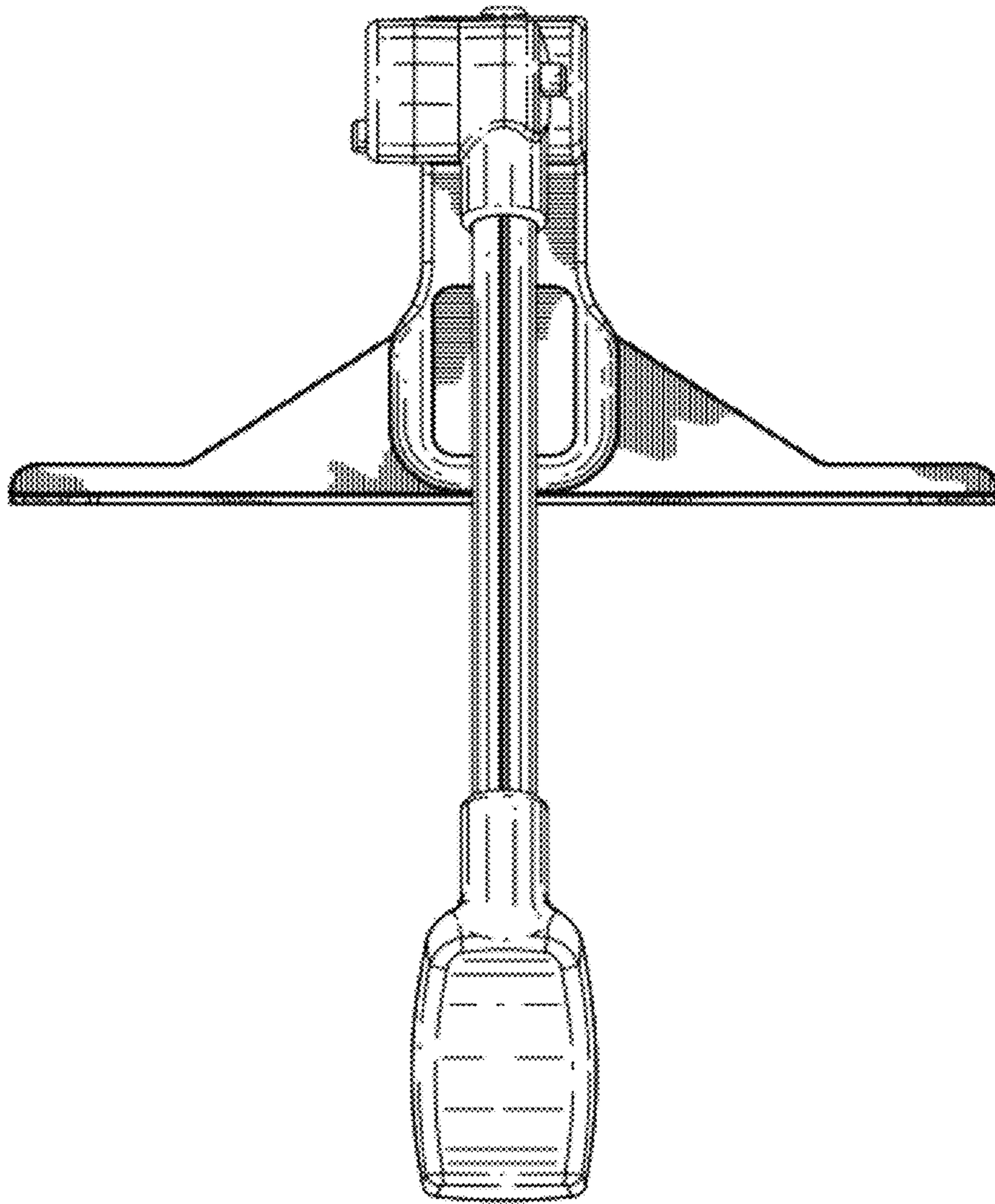


FIG. 6

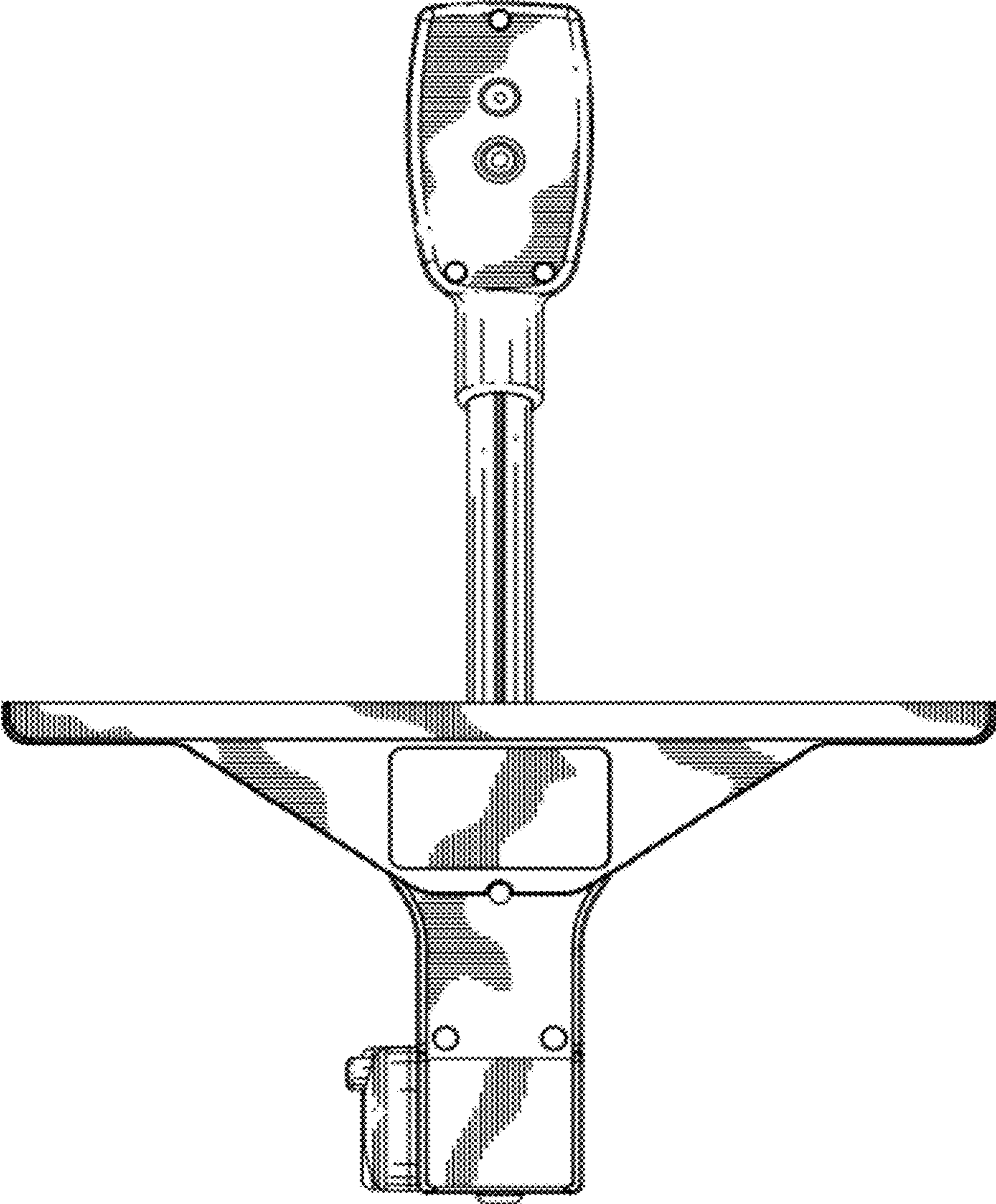


FIG. 7

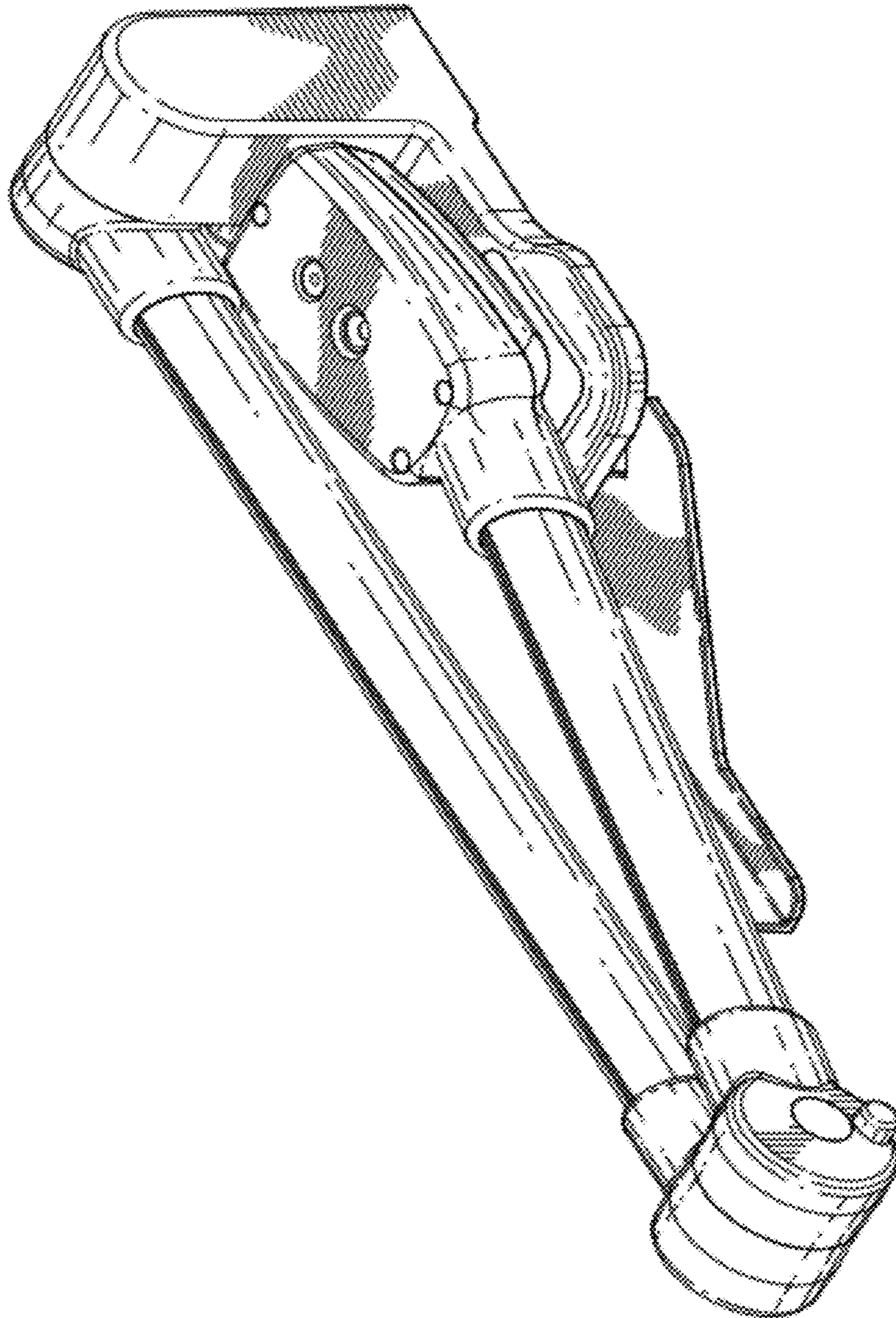


FIG. 8

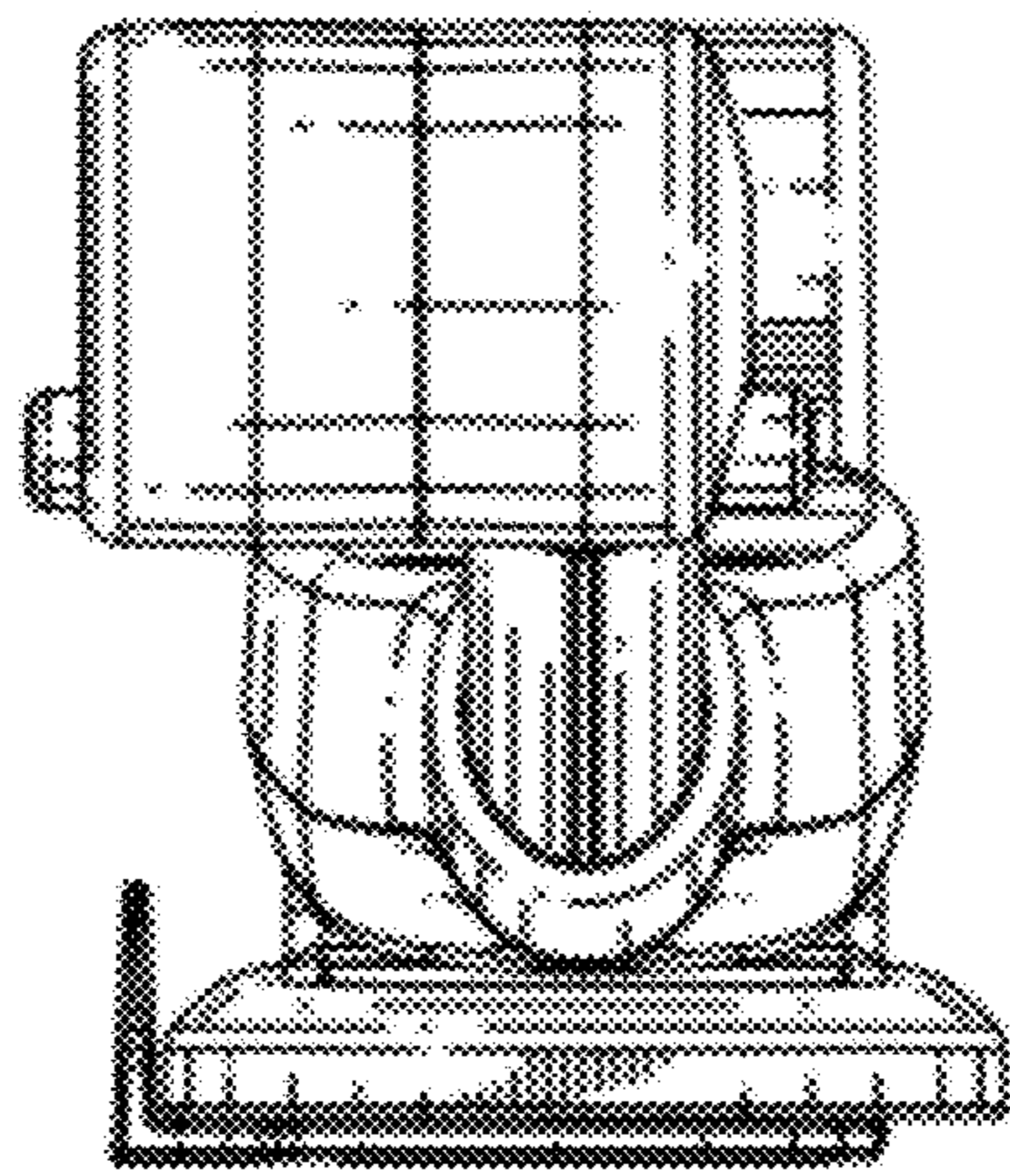


FIG. 9

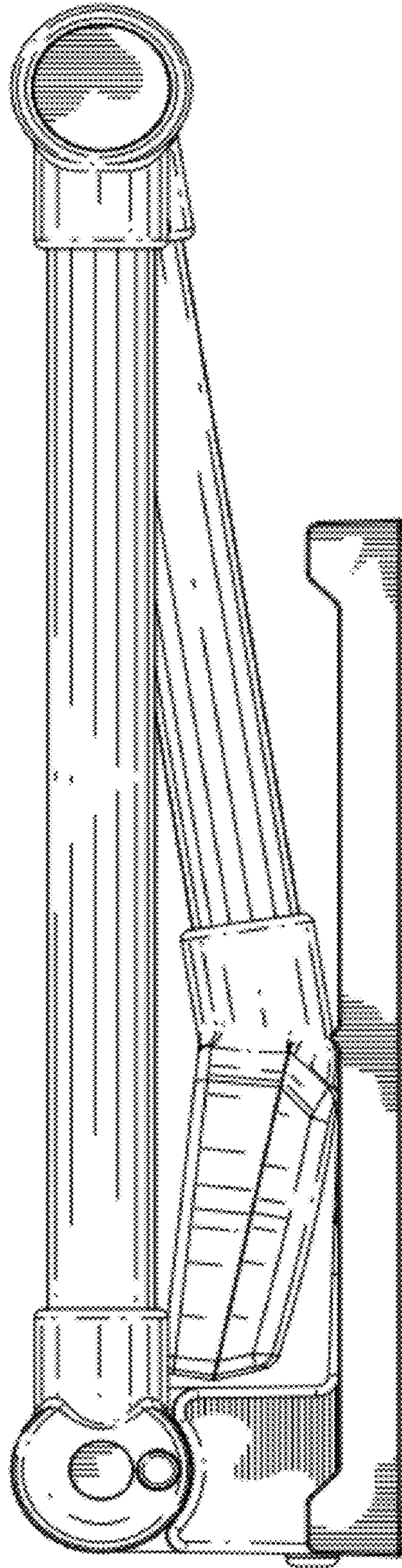


FIG. 10

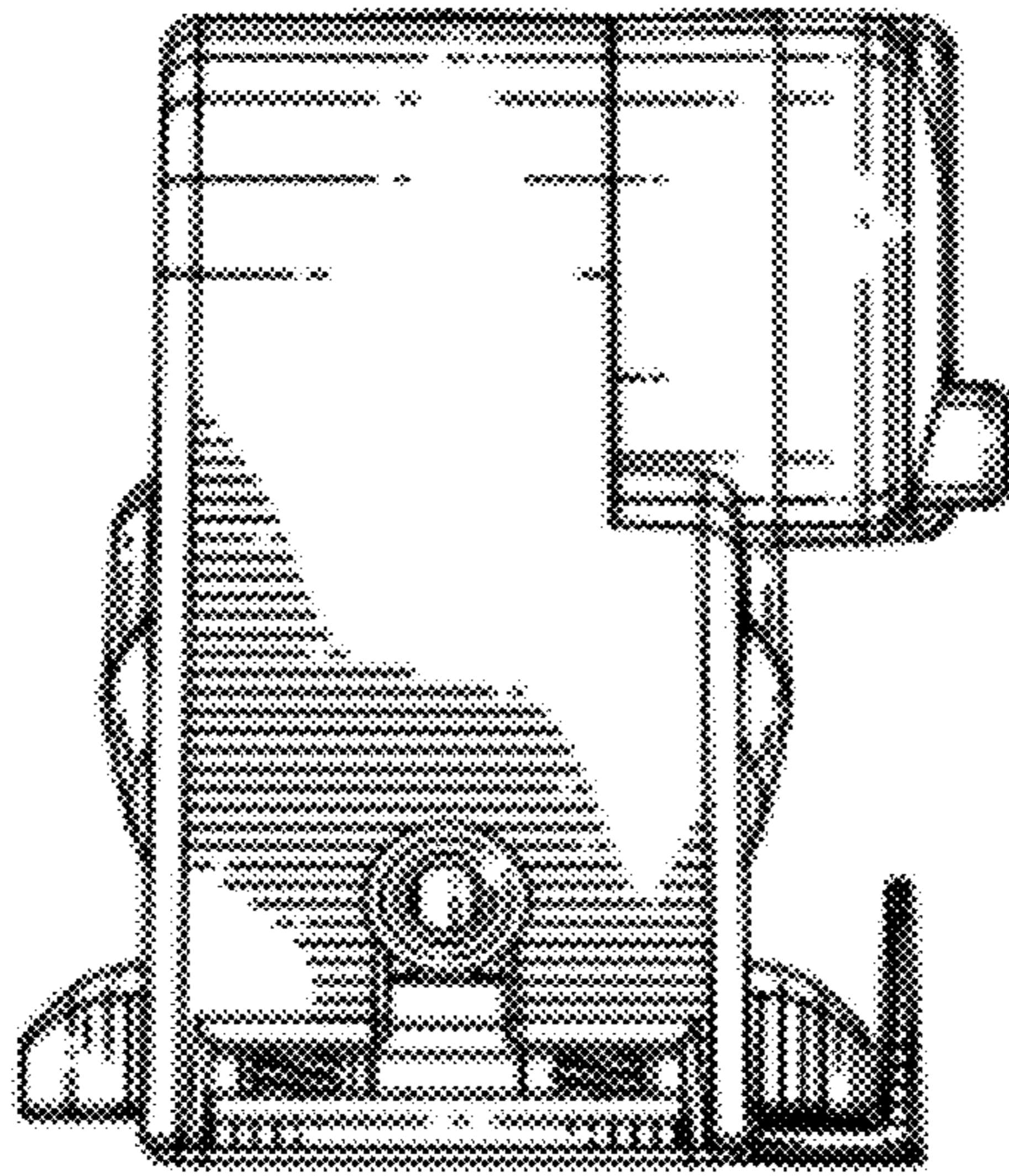


FIG. 11

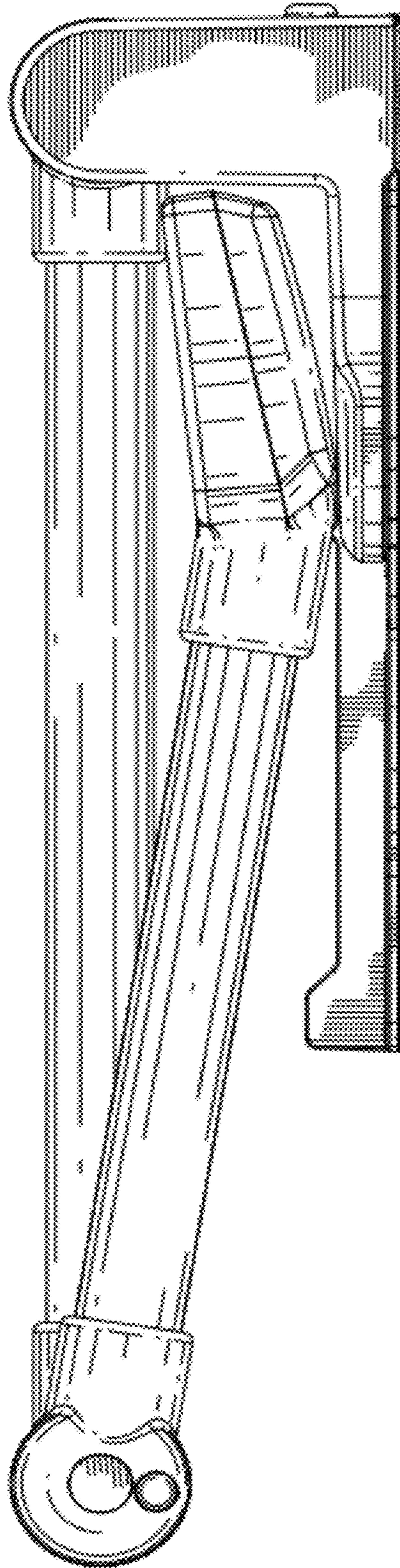


FIG. 12

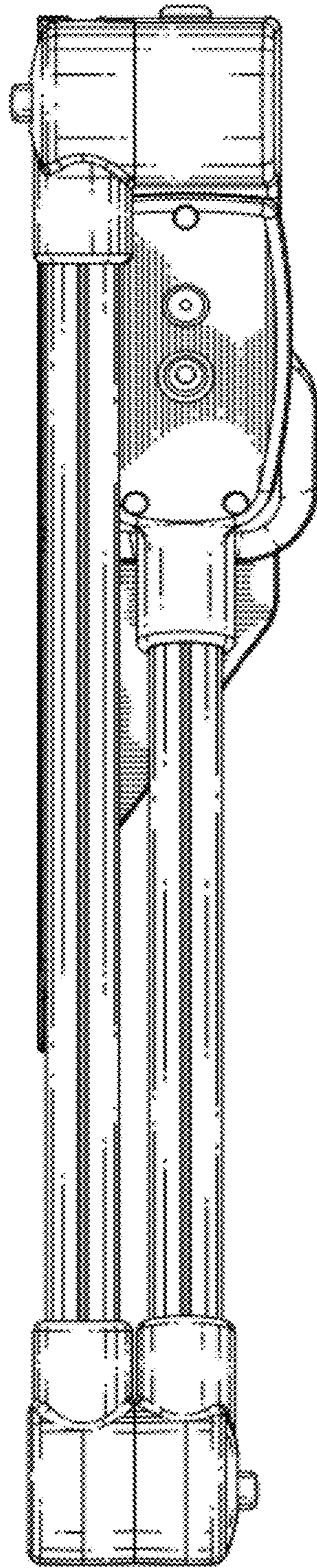


FIG. 13

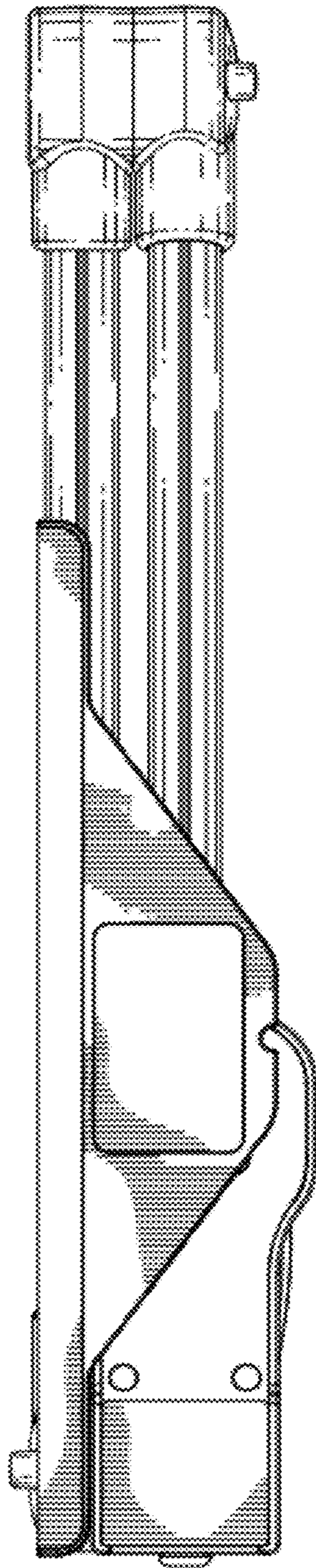


FIG. 14