



US00D662119S

(12) **United States Design Patent**
Hoshi et al.

(10) **Patent No.:** **US D662,119 S**
(45) **Date of Patent:** **** Jun. 19, 2012**

(54) **PAIR OF BINOCULARS**

(75) Inventors: **Tomohiro Hoshi**, Tokyo (JP); **Kenichi Soejima**, Yokohama (JP)

(73) Assignee: **Nikon Corporation** (JP)

(**) Term: **14 Years**

(21) Appl. No.: **29/397,143**

(22) Filed: **Jul. 12, 2011**

(30) **Foreign Application Priority Data**

Jan. 17, 2011 (JP) 2011-000828

(51) **LOC (9) Cl.** **16-06**

(52) **U.S. Cl.** **D16/133; D16/136**

(58) **Field of Classification Search** D16/130,
D16/133, 136; 359/407-414, 418-422, 426,
359/804, 809, 813-817, 819-822, 835
See application file for complete search history.

(56) **References Cited**

U.S. PATENT DOCUMENTS

D299,724 S *	2/1989	Aoki	D16/133
D359,972 S *	7/1995	Takahashi	D16/133
D395,055 S *	6/1998	Lee	D16/133
D486,507 S *	2/2004	Fujii	D16/133
D492,711 S *	7/2004	Watanabe	D16/133

D503,730 S *	4/2005	Hamamura	D16/133
D509,522 S *	9/2005	Ueda et al.	D16/133
D509,839 S *	9/2005	Hoshi	D16/133
D621,431 S *	8/2010	Holbl	D16/133
D651,629 S *	1/2012	Carley et al.	D16/133

* cited by examiner

Primary Examiner — Paula Greene

(74) *Attorney, Agent, or Firm* — Caesar, Rivise, Bernstein, Cohen & Pokotilow, Ltd.

(57) **CLAIM**

The ornamental design for a pair of binoculars, as shown and described.

DESCRIPTION

FIG. 1 is a front, top and right side perspective view of a pair of binoculars showing our new design;
FIG. 2 is a rear, bottom and left side perspective view thereof;
FIG. 3 is a front view thereof;
FIG. 4 is a rear view thereof;
FIG. 5 is a top plan view thereof;
FIG. 6 is a bottom plan view thereof;
FIG. 7 is a right side elevational view thereof; and,
FIG. 8 is a left side elevational view thereof.

The features shown in broken lines in the drawings depict environmental subject matter only and form no part of the claimed design. The dot-dashed lines denote the boundary of the claim, and form no part of the claimed design.

1 Claim, 3 Drawing Sheets

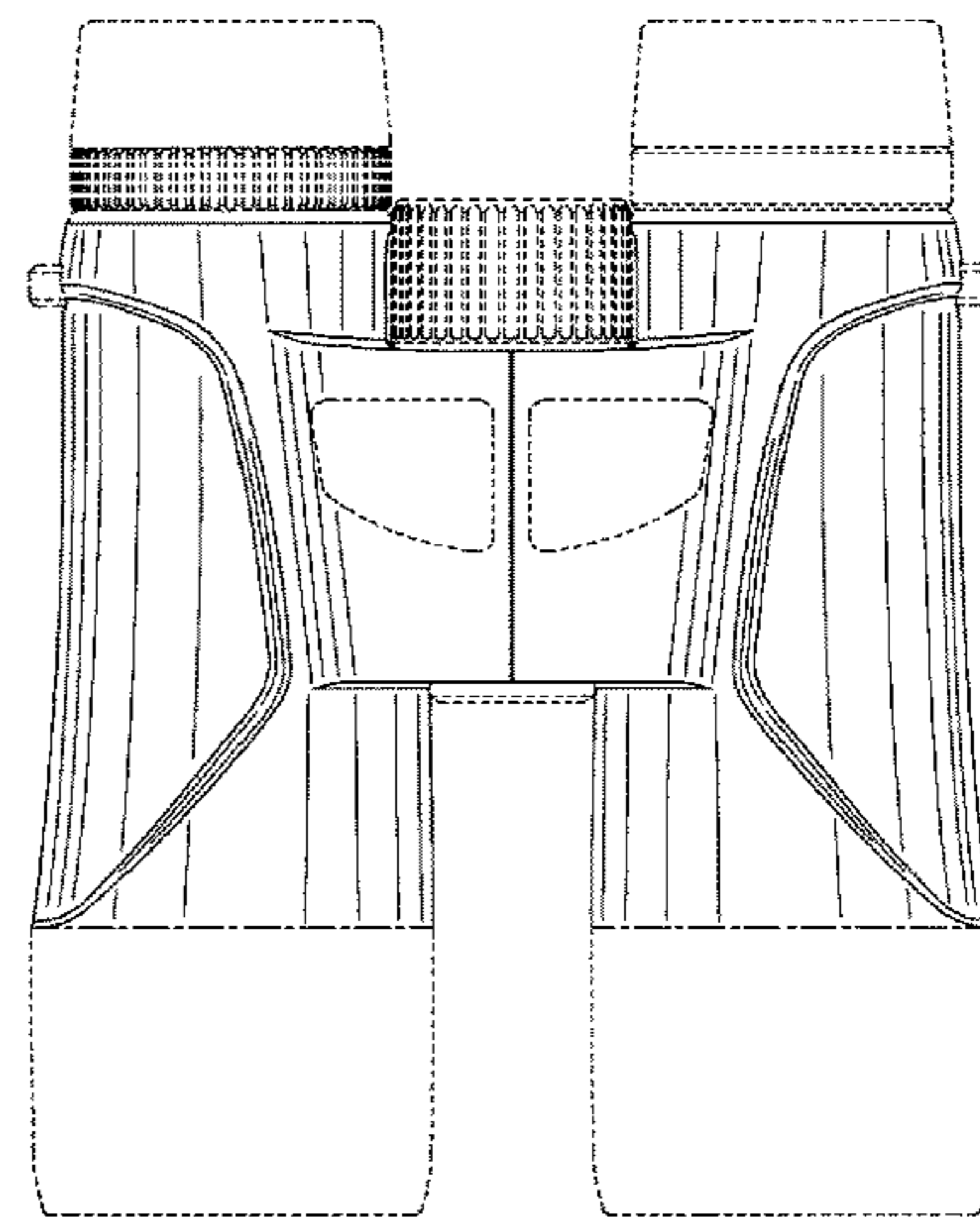
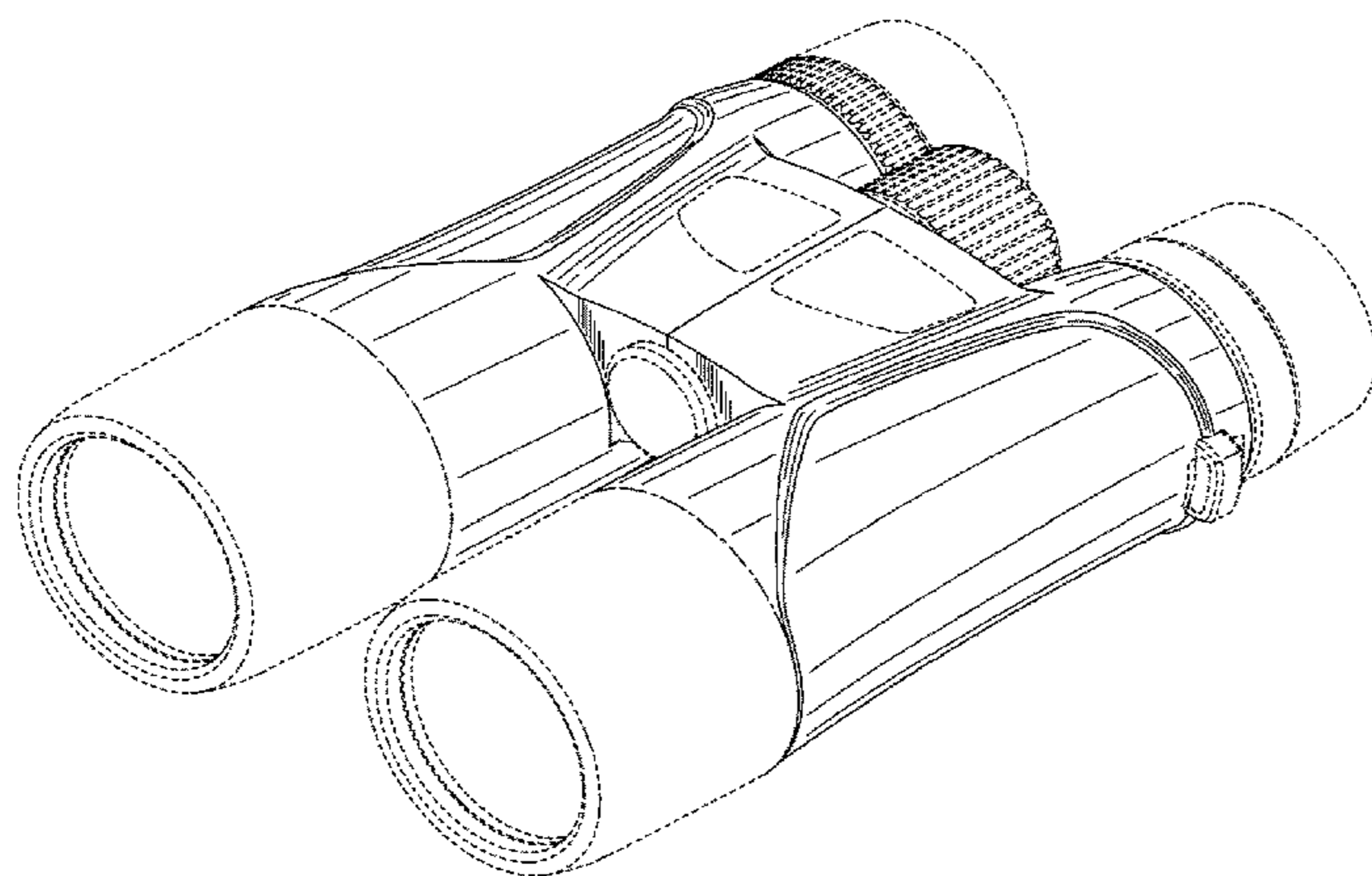


FIG. 1

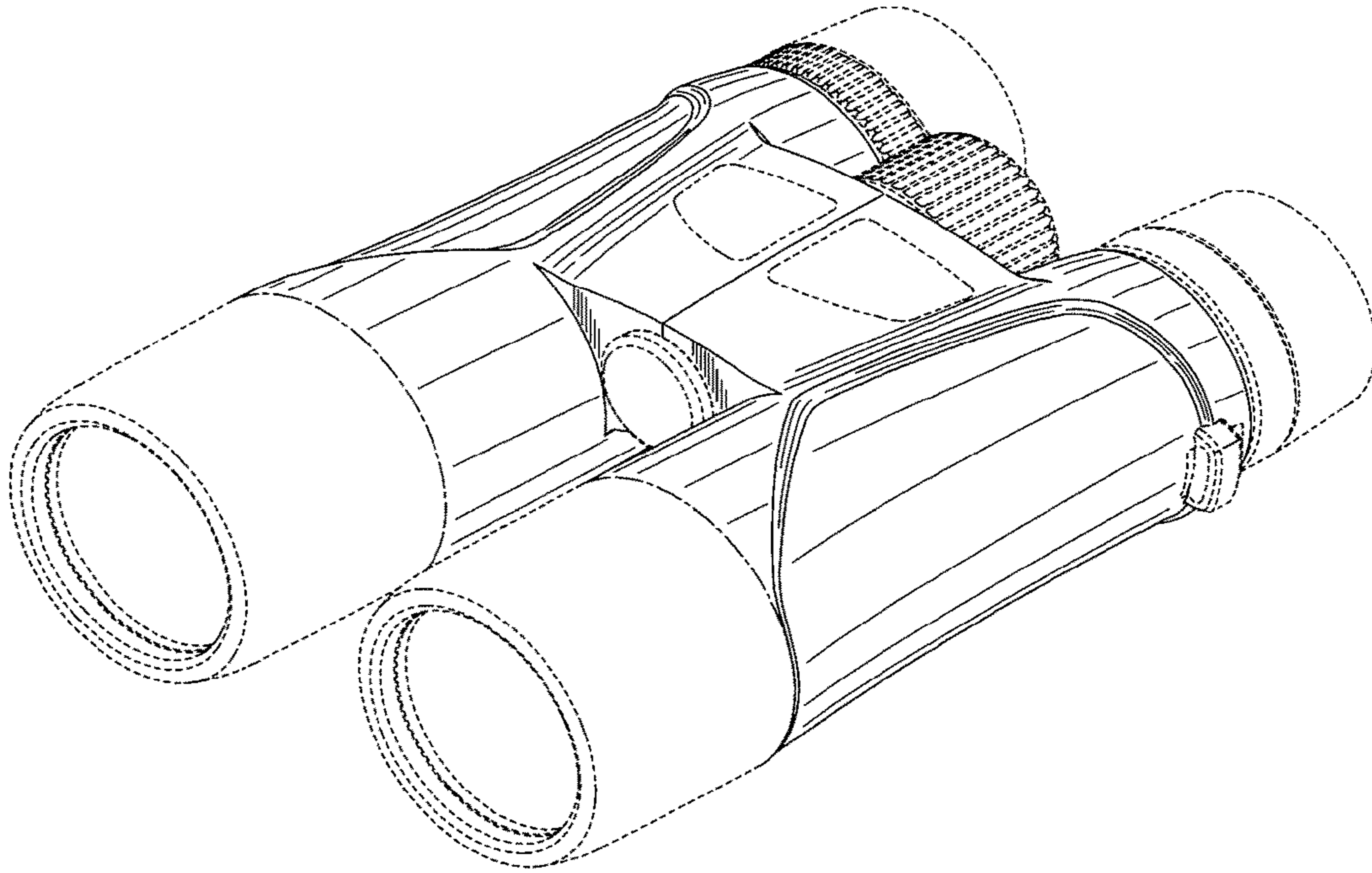


FIG. 2

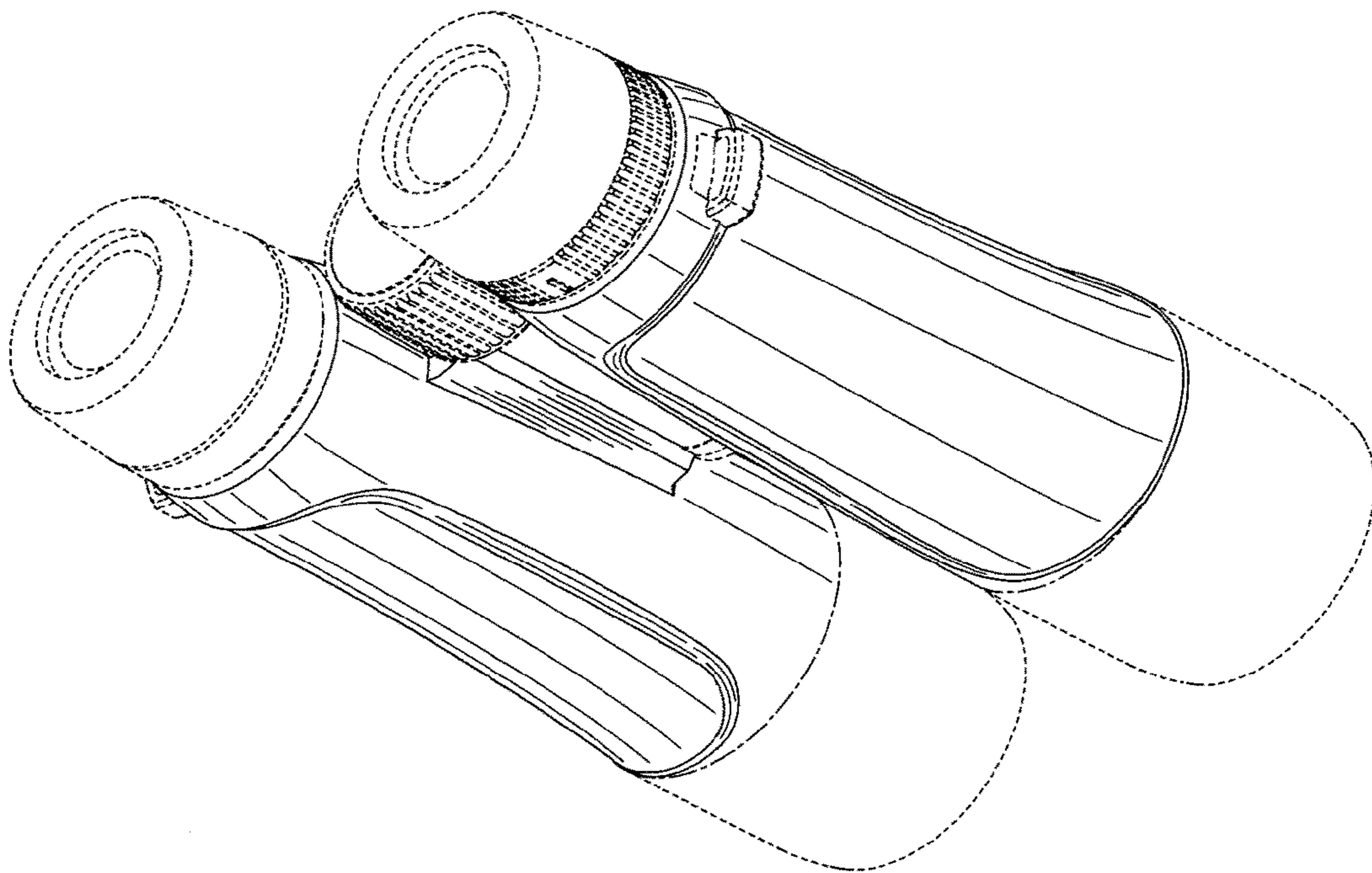


FIG. 3

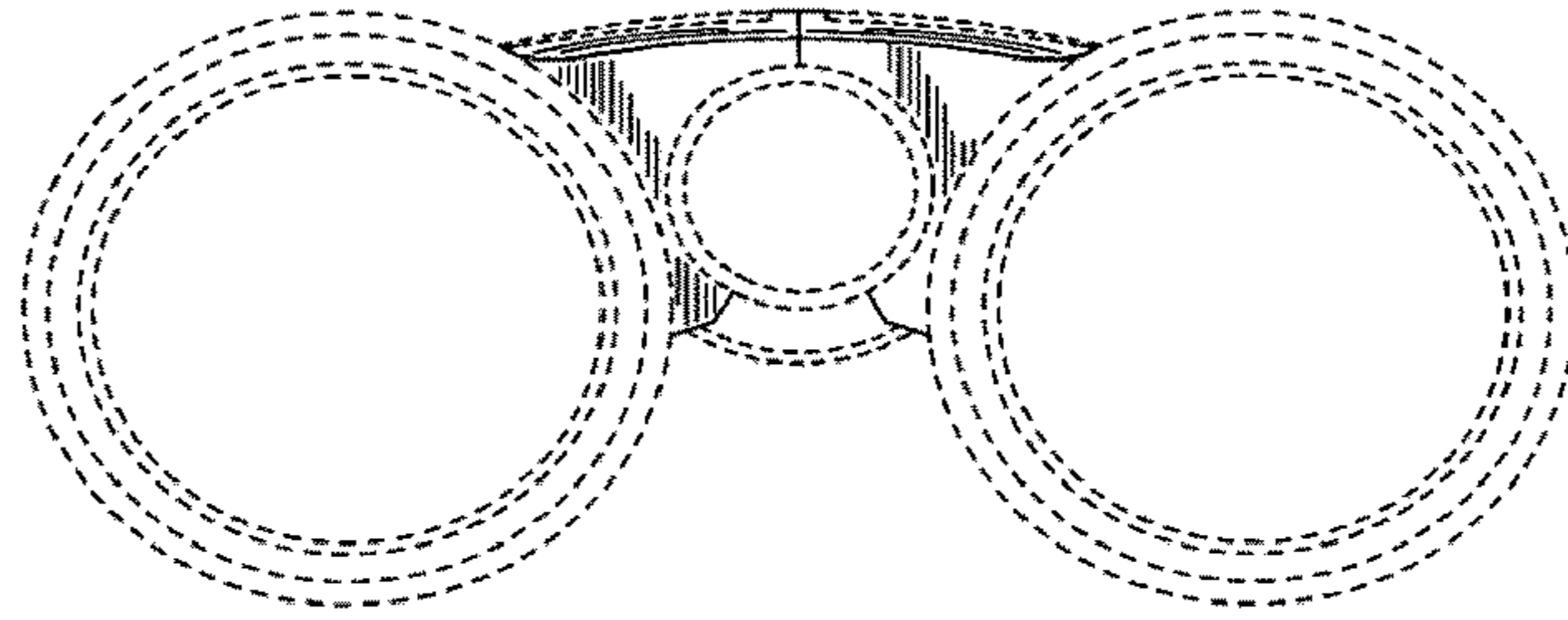


FIG. 4

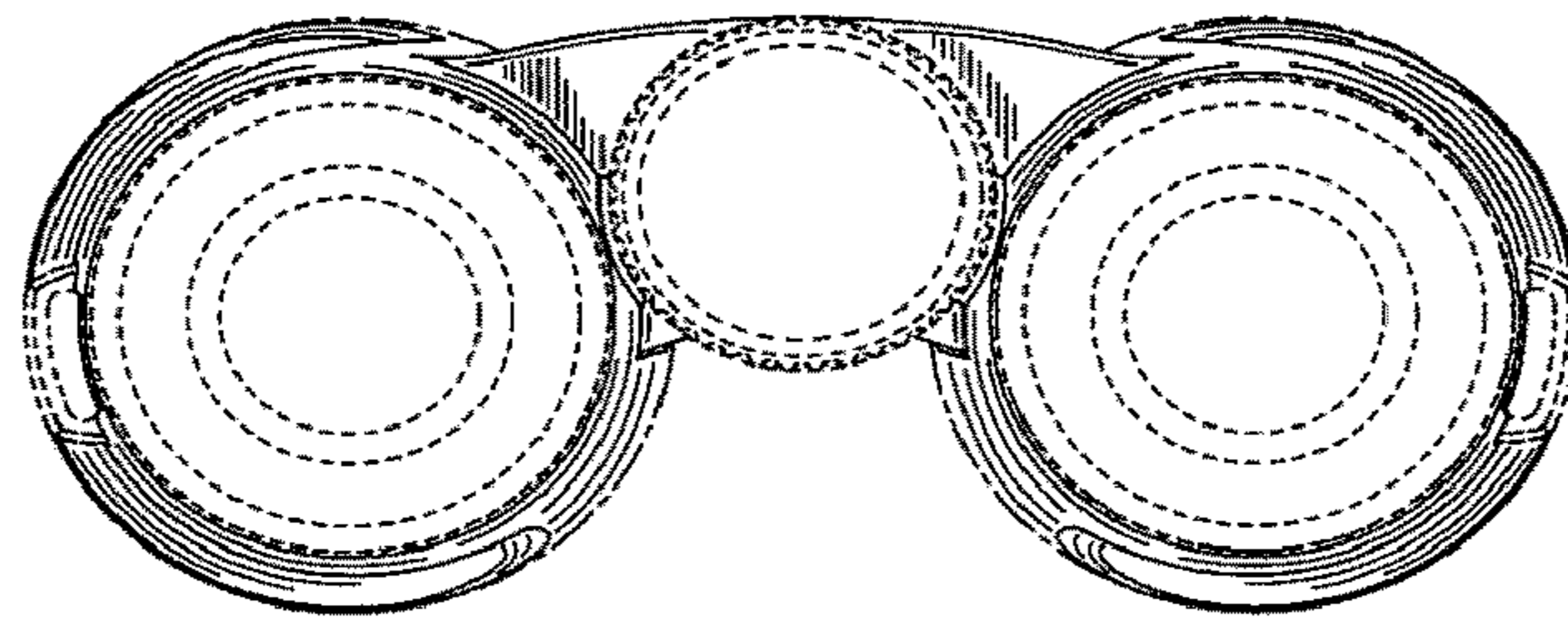


FIG. 5

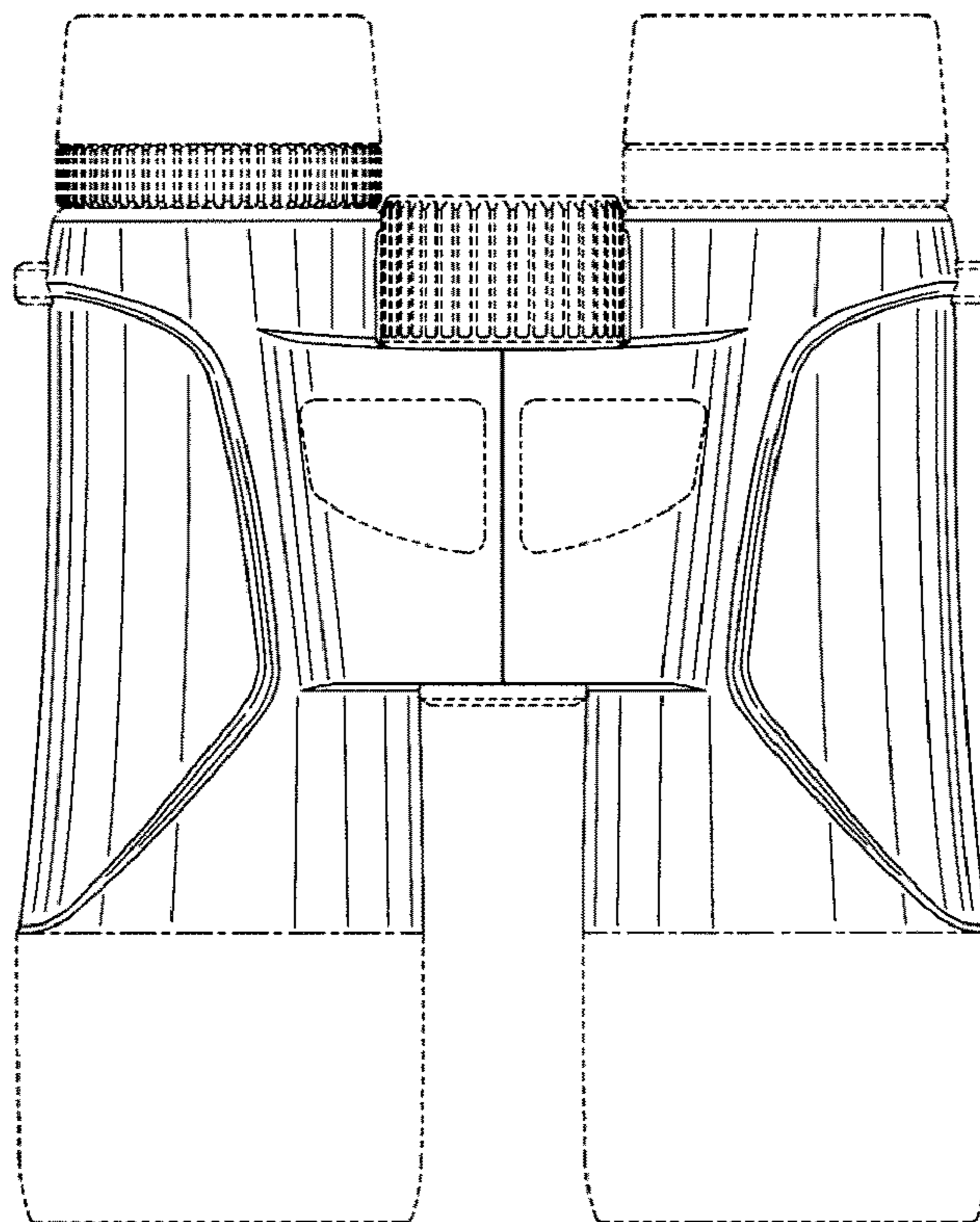


FIG. 6

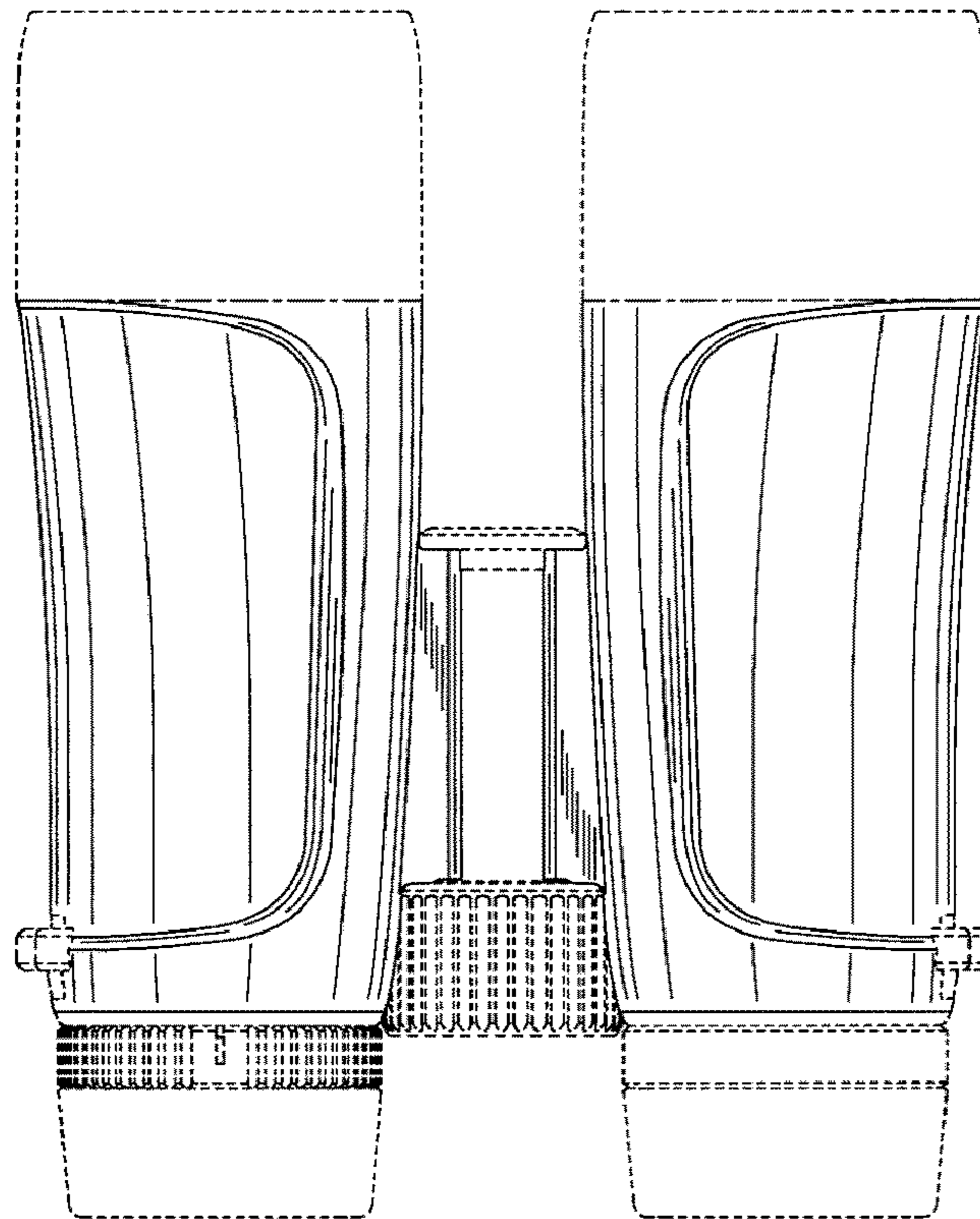


FIG. 7

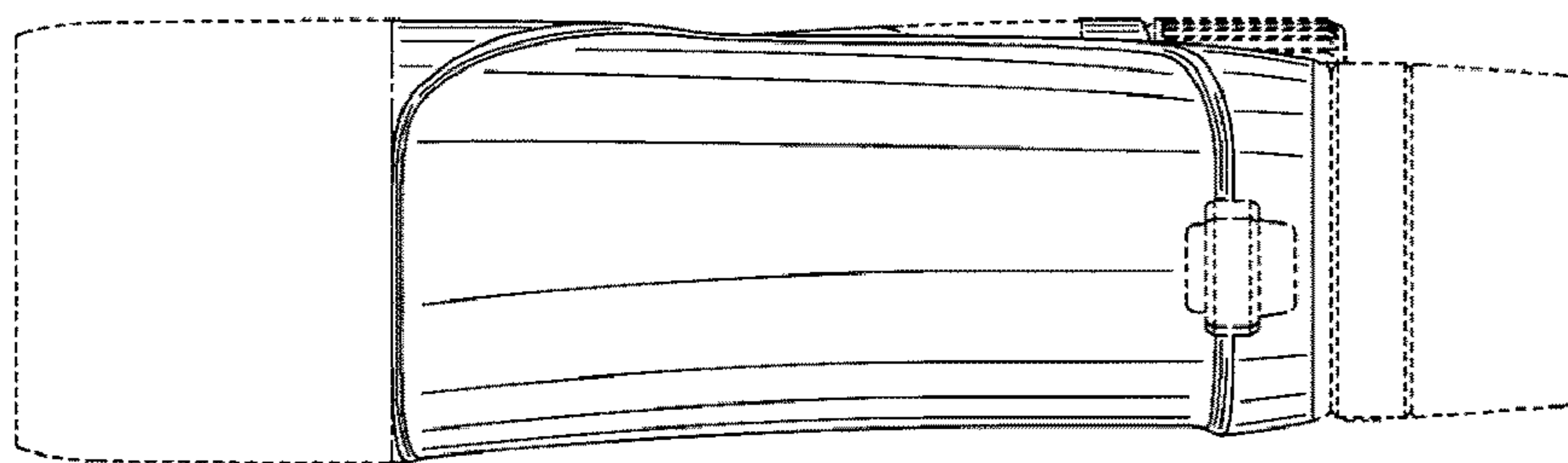


FIG. 8

