



US00D662117S

(12) **United States Design Patent**  
**Dorbath**

(10) **Patent No.:** **US D662,117 S**  
(45) **Date of Patent:** **\*\* Jun. 19, 2012**

(54) **MIXING MACHINE**

(75) Inventor: **Leo Dorbath**, Kulsheim (DE)

(73) Assignee: **Maschinenfabrik Gustav Eirich GmbH & Co. KG**, Hardheim (DE)

(\*\*) Term: **14 Years**

(21) Appl. No.: **29/407,488**

(22) Filed: **Nov. 30, 2011**

(30) **Foreign Application Priority Data**

Jun. 16, 2011 (EM) ..... 001 878 950-0001

(51) **LOC (9) Cl.** ..... **15-09**

(52) **U.S. Cl.** ..... **D15/147**

(58) **Field of Classification Search** ..... D7/384;  
D15/147; 277/26 R, 95; 366/76.7, 143,  
366/149, 168.1, 185, 192, 241-260, 309,  
366/326.1, 601, 604, 605

See application file for complete search history.

(56) **References Cited**

**U.S. PATENT DOCUMENTS**

|               |         |                  |       |         |
|---------------|---------|------------------|-------|---------|
| D213,917 S *  | 4/1969  | Peterson         | ..... | D15/147 |
| D258,213 S *  | 2/1981  | Lydford          | ..... | D15/147 |
| D264,218 S *  | 5/1982  | Neuner et al.    | ..... | D15/147 |
| 4,568,194 A * | 2/1986  | Gargioni         | ..... | 366/213 |
| D347,645 S *  | 6/1994  | Miller           | ..... | D15/147 |
| 5,383,163 A * | 1/1995  | Brunn            | ..... | 366/217 |
| D374,677 S *  | 10/1996 | Hodson et al.    | ..... | D15/147 |
| D388,447 S *  | 12/1997 | Otto             | ..... | D15/147 |
| D393,476 S *  | 4/1998  | Lodige           | ..... | D15/147 |
| D401,246 S *  | 11/1998 | Langeveld et al. | ..... | D15/7   |

|                   |         |               |       |         |
|-------------------|---------|---------------|-------|---------|
| 5,906,433 A *     | 5/1999  | Mazzalveri    | ..... | 366/209 |
| D426,422 S *      | 6/2000  | Otto          | ..... | D7/384  |
| D448,966 S *      | 10/2001 | Hsieh         | ..... | D7/376  |
| D472,253 S *      | 3/2003  | Reedy et al.  | ..... | D15/147 |
| D473,420 S *      | 4/2003  | Lo et al.     | ..... | D7/376  |
| D477,331 S *      | 7/2003  | Tsai          | ..... | D15/19  |
| D527,943 S *      | 9/2006  | Feil          | ..... | D7/384  |
| D534,551 S *      | 1/2007  | Kushlan       | ..... | D15/19  |
| D583,398 S *      | 12/2008 | Seiler        | ..... | D15/147 |
| D598,479 S *      | 8/2009  | Seiler        | ..... | D15/147 |
| 2001/0024400 A1 * | 9/2001  | Van Der Wel   | ..... | 366/143 |
| 2008/0096214 A1 * | 4/2008  | Ammann et al. | ..... | 435/6   |

\* cited by examiner

*Primary Examiner* — Patricia Palasik

(74) *Attorney, Agent, or Firm* — Paul & Paul

(57) **CLAIM**

The ornamental design for a mixing machine, as shown and described.

**DESCRIPTION**

FIG. 1 is a front, top and right side perspective view of the mixing machine of my new design.

FIG. 2 is a rear elevational view of the mixing machine of FIG. 1.

FIG. 3 is a right side elevational view of the mixing machine of FIG. 2.

FIG. 4 is a top view of the mixing machine of FIG. 1.

FIG. 5 is a left side elevational view of the mixing machine of FIG. 2.

FIG. 6 is a bottom view of the mixing machine of FIG. 1; and, FIG. 7 is a front elevational view of the mixing machine of FIG. 1.

The broken lines do not form part of the design.

**1 Claim, 7 Drawing Sheets**

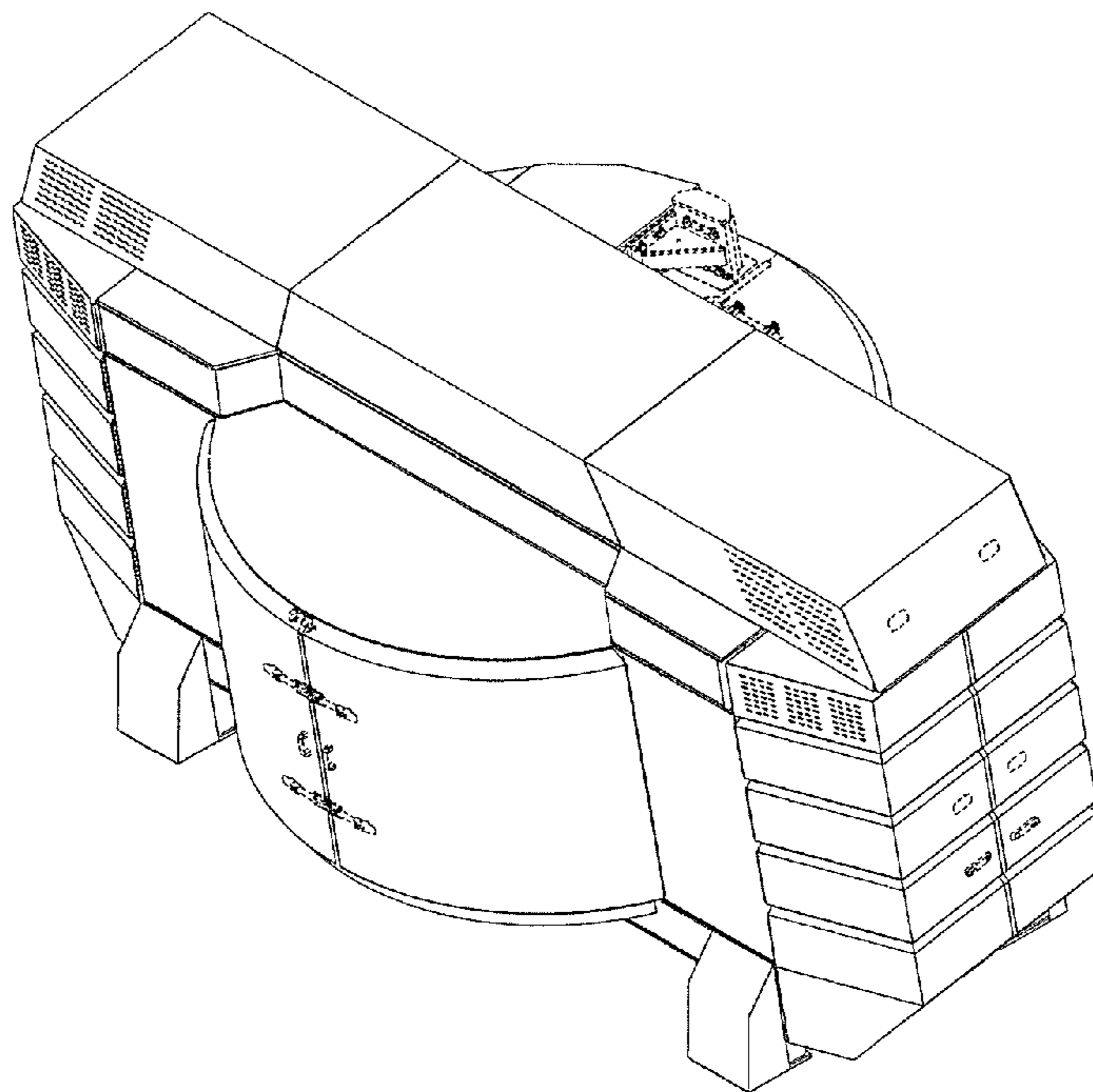


Figure 1

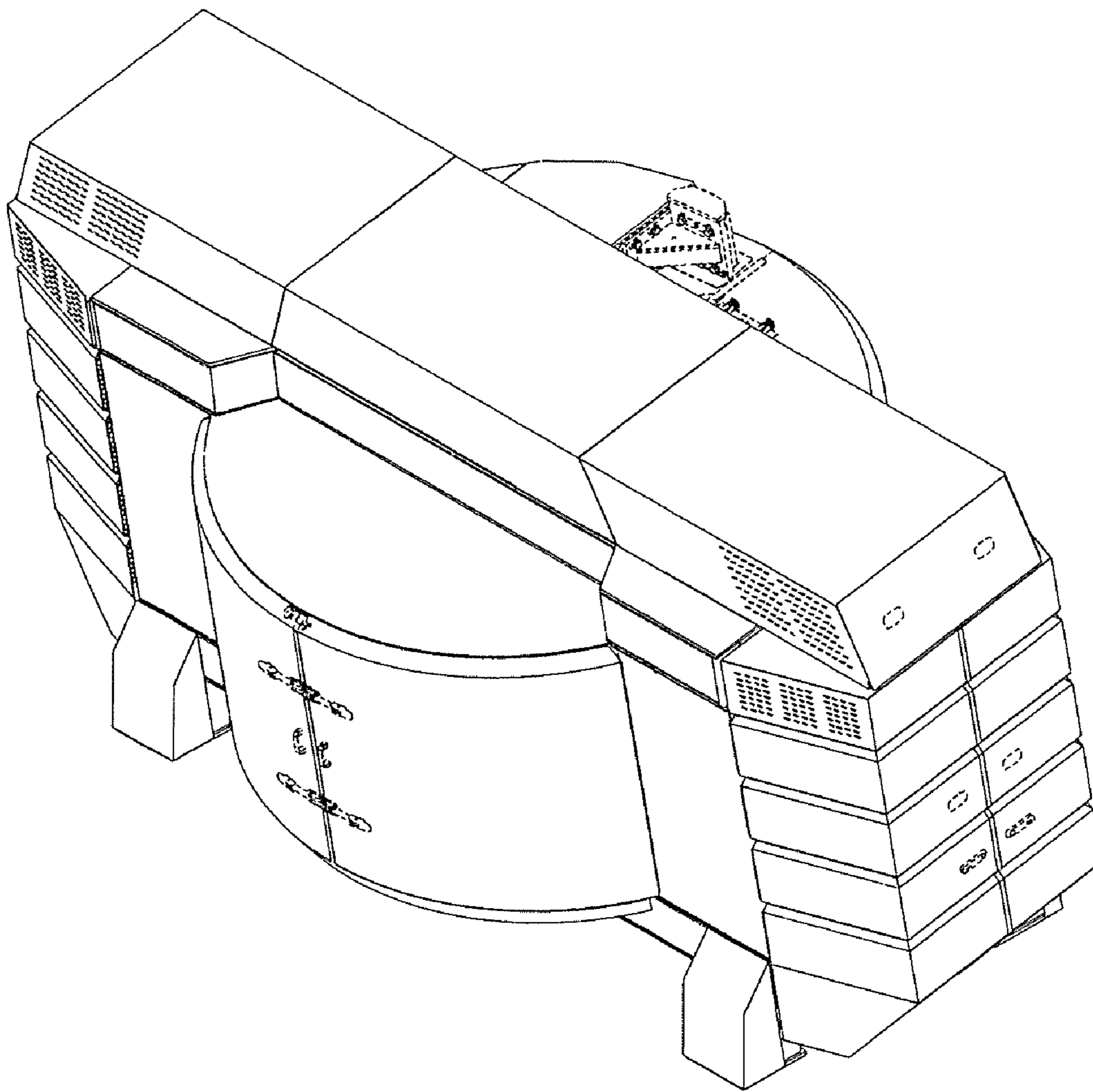


Figure 2

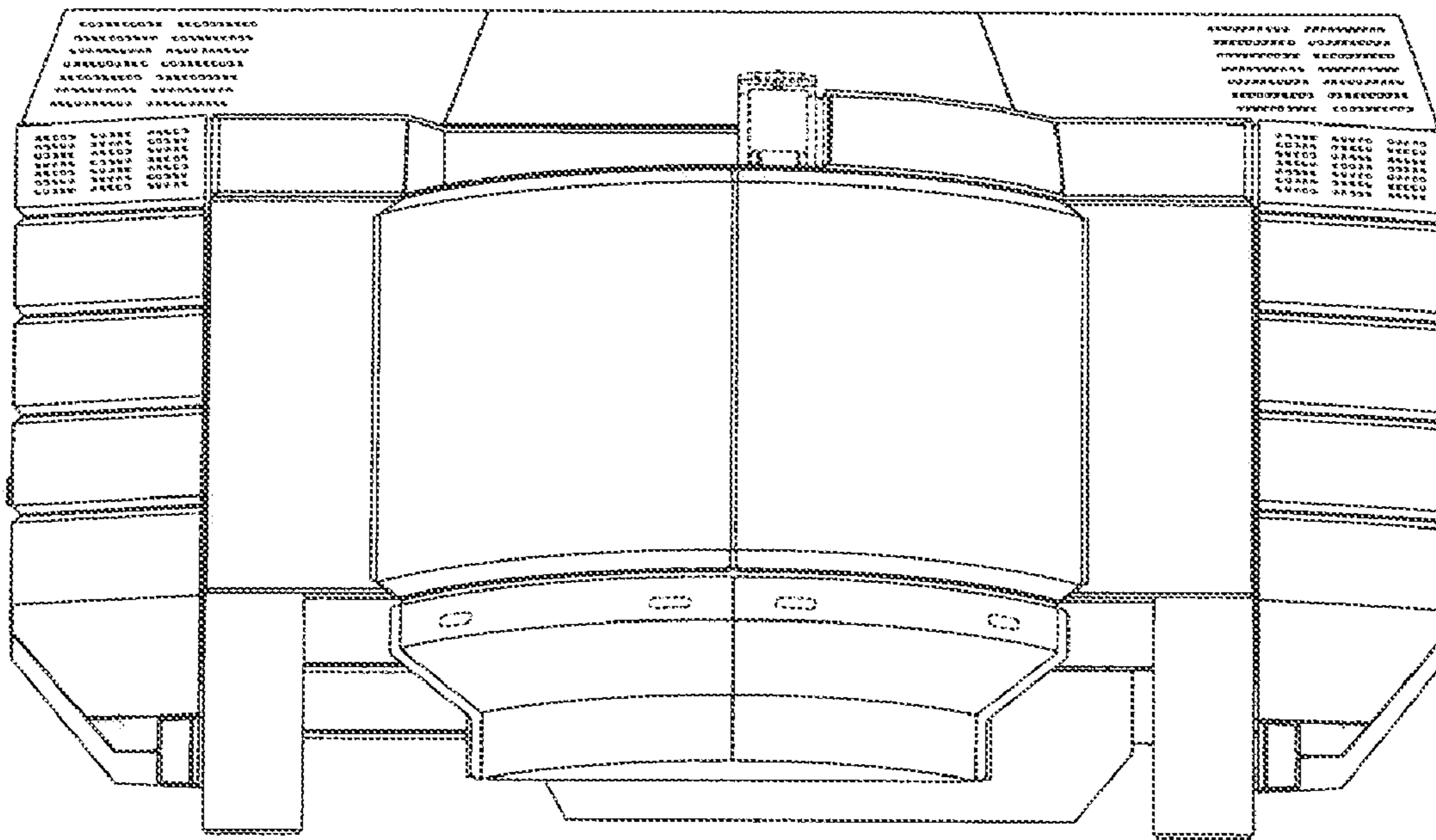


Figure 3

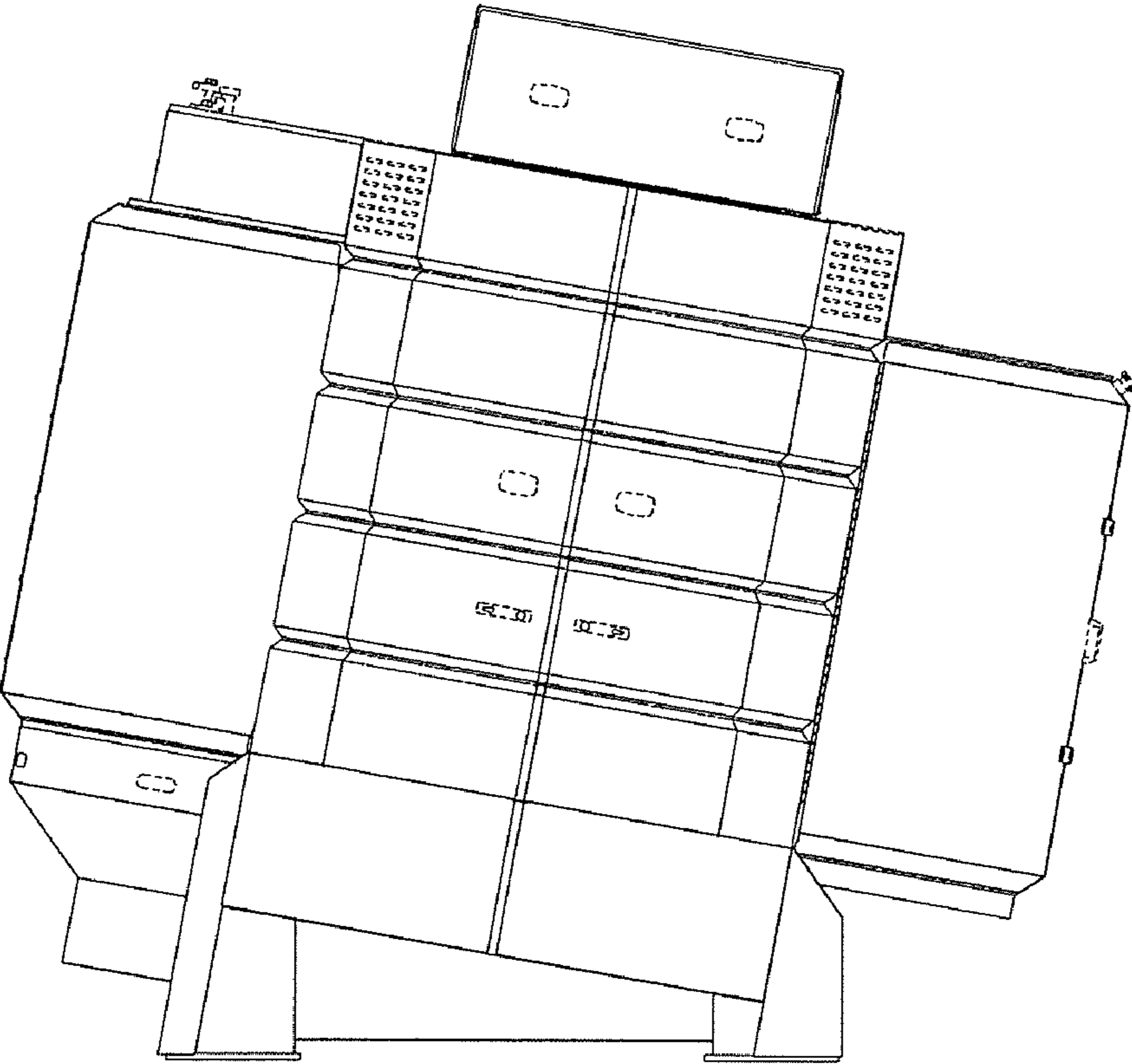


Figure 4

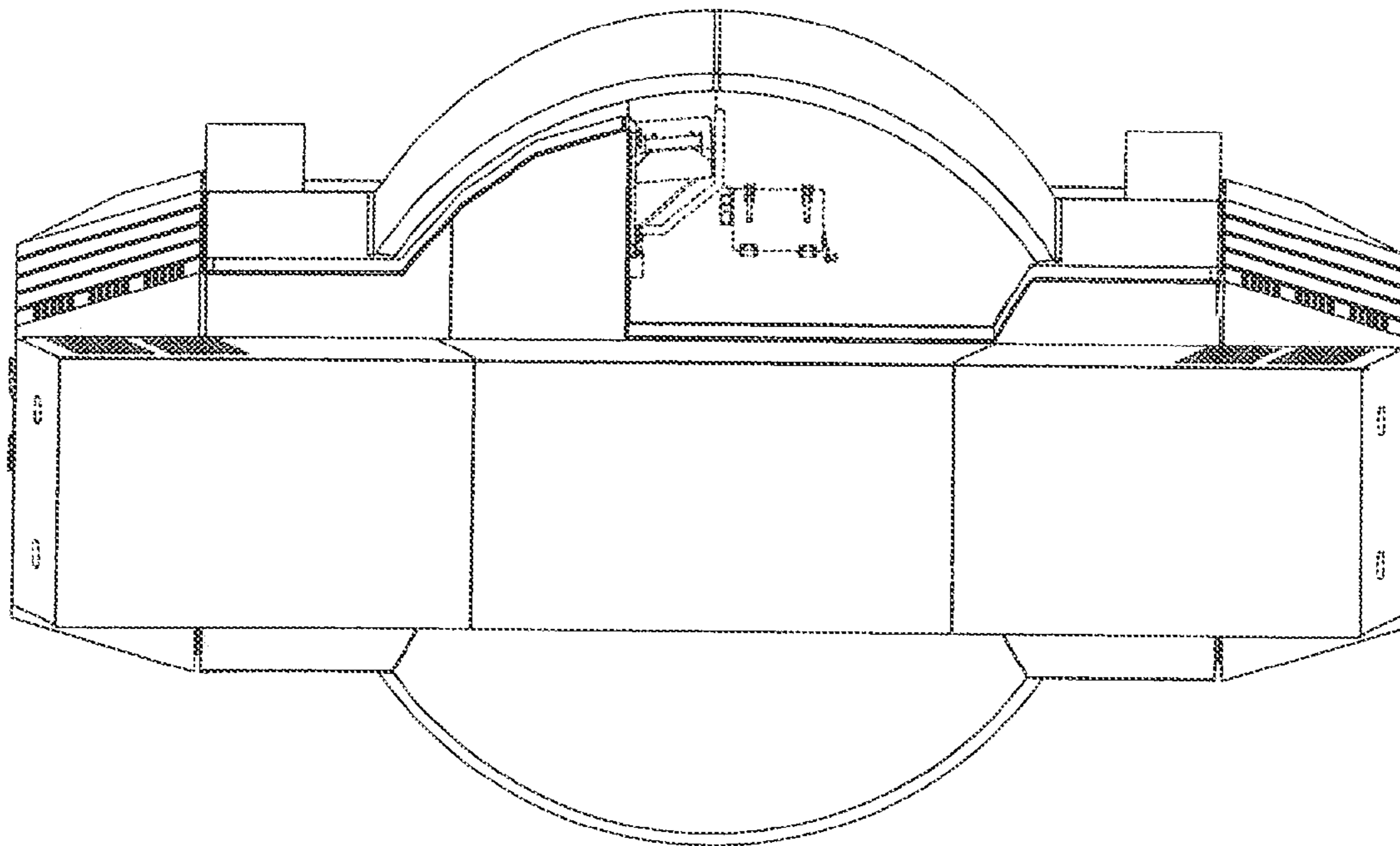


Figure 5

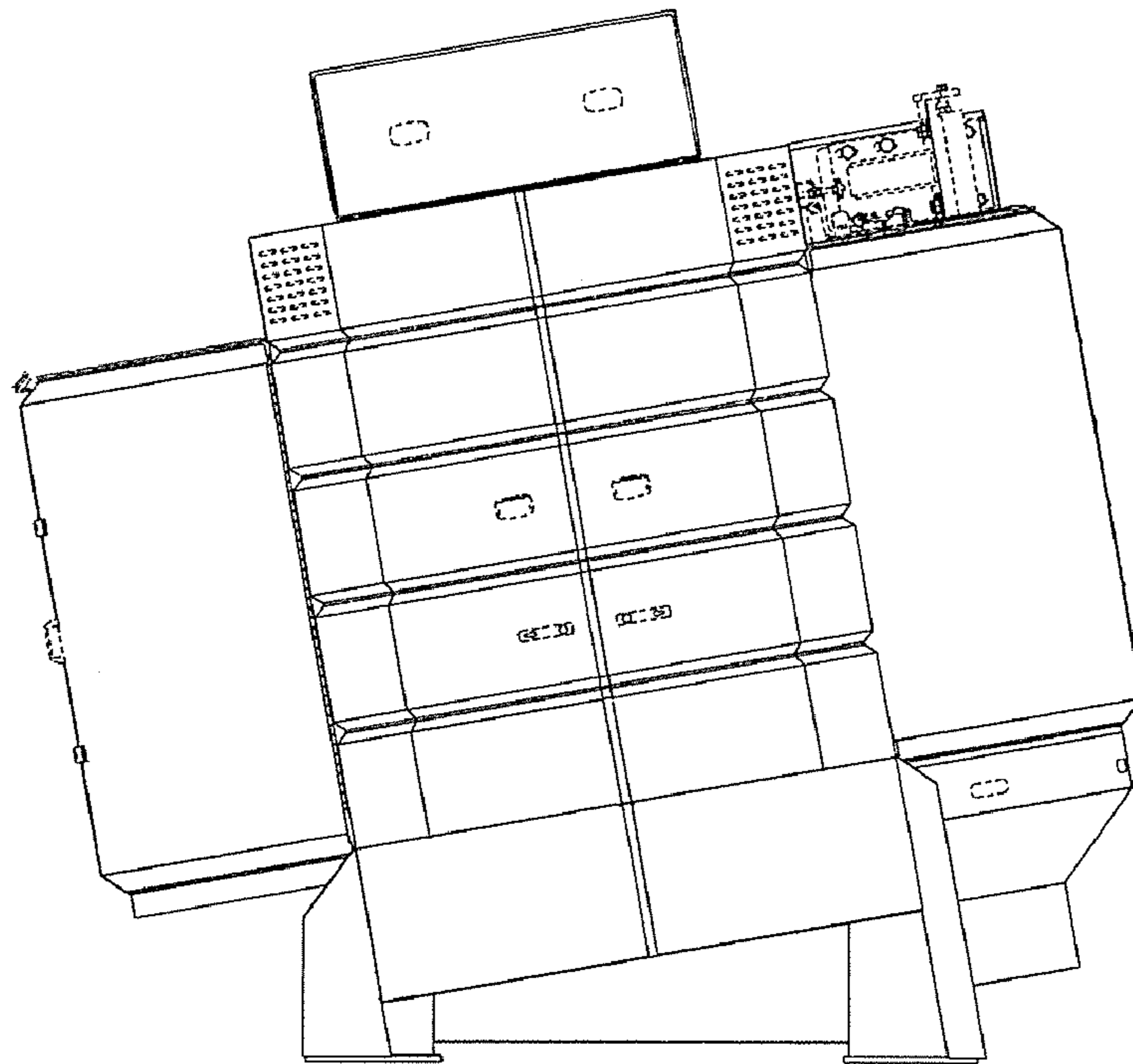


Figure 6

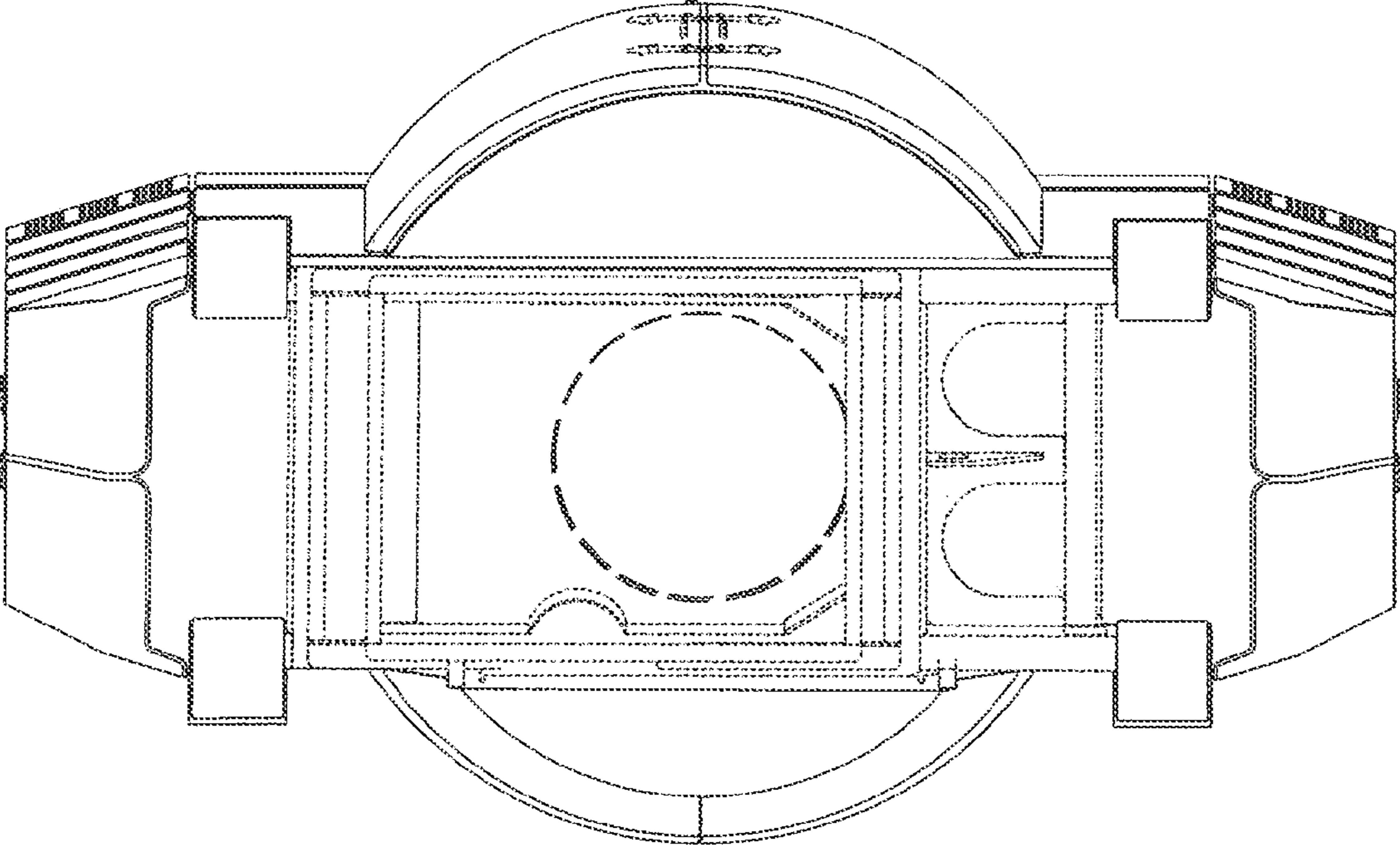


Figure 7

