

US00D662113S

(12) **United States Design Patent**
Johnson et al.

(10) **Patent No.:** **US D662,113 S**

(45) **Date of Patent:** **** Jun. 19, 2012**

(54) **MODULAR DIAPHRAGM PUMPING SYSTEM**

D633,925 S * 3/2011 Sadachika D15/7
D638,858 S * 5/2011 Johnson et al. D15/7

(75) Inventors: **Steven M. Johnson**, Westford, MA
(US); **Gregory Cook**, Holliston, MA
(US)

* cited by examiner

Primary Examiner — Ralf Seifert

(73) Assignee: **Xylem IP Holdings LLC**, White Plains,
NY (US)

(**) Term: **14 Years**

(21) Appl. No.: **29/391,892**

(22) Filed: **May 13, 2011**

(51) **LOC (9) Cl.** **15-02**

(52) **U.S. Cl.** **D15/7**

(58) **Field of Classification Search** D15/7-9;
D23/231, 232, 225; 417/60, 235, 265, 321,
417/355, 358, 363, 359, 410.1, 415-416,
417/405, 900; 60/408, 412; 184/26-37;
415/140-147; 123/495, 509

See application file for complete search history.

(56) **References Cited**

U.S. PATENT DOCUMENTS

D605,665 S * 12/2009 Falkenberg D15/7
D625,740 S * 10/2010 Varini D15/7

(57) **CLAIM**

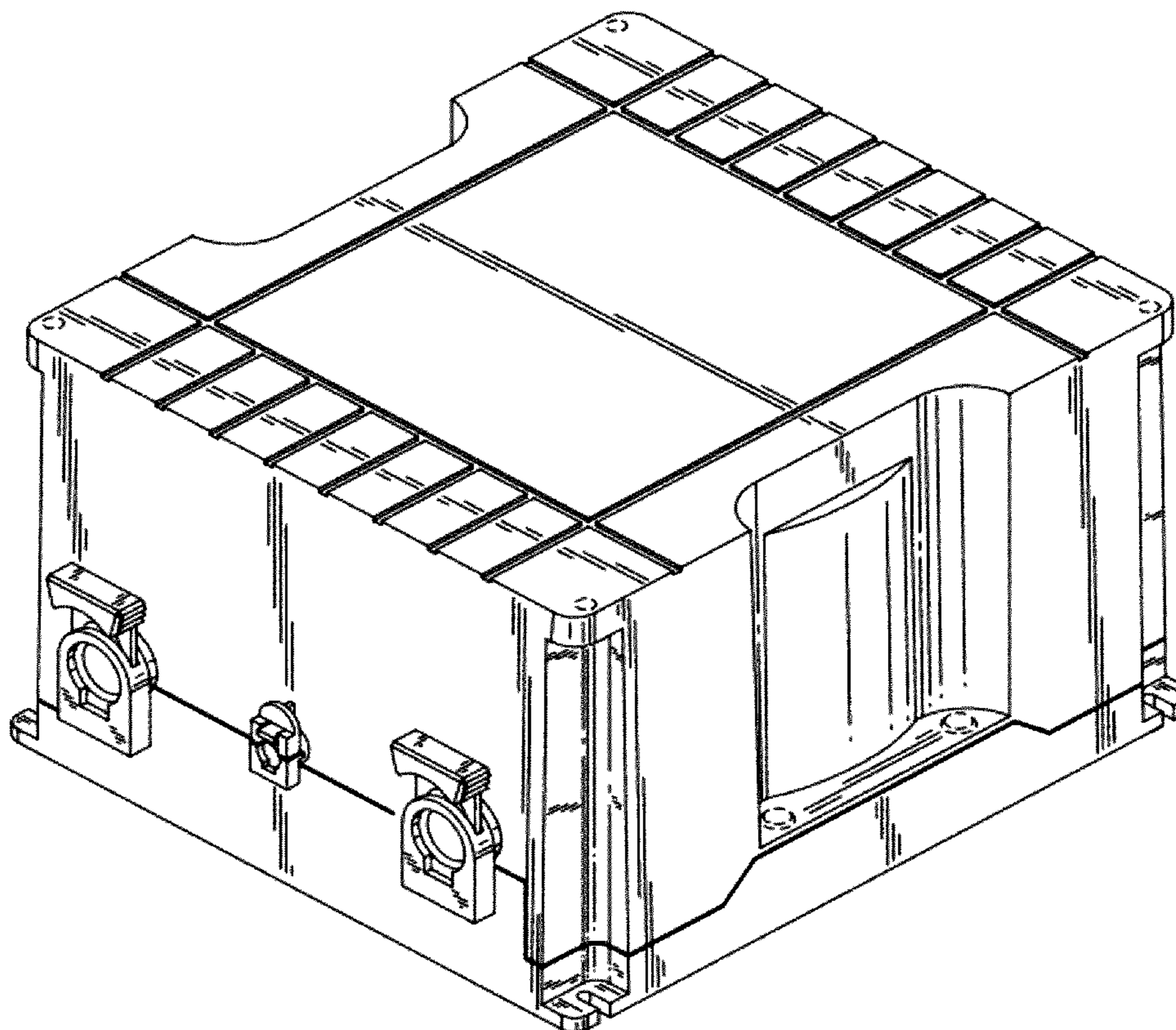
We claim the ornamental design of a modular diaphragm pumping system, as shown and described herein.

DESCRIPTION

FIG. 1 is a top perspective view of a modular diaphragm pumping system showing our new design; FIG. 2 is a first side view; FIG. 3 is a second side view; FIG. 4 is a third side view; FIG. 5 is a fourth side view; FIG. 6 is a top view; and, FIG. 7 is a bottom view.

The broken line showing in FIGS. 6 and 7 is included for the purpose of illustrating environmental matter that forms no part of the claimed design.

1 Claim, 5 Drawing Sheets



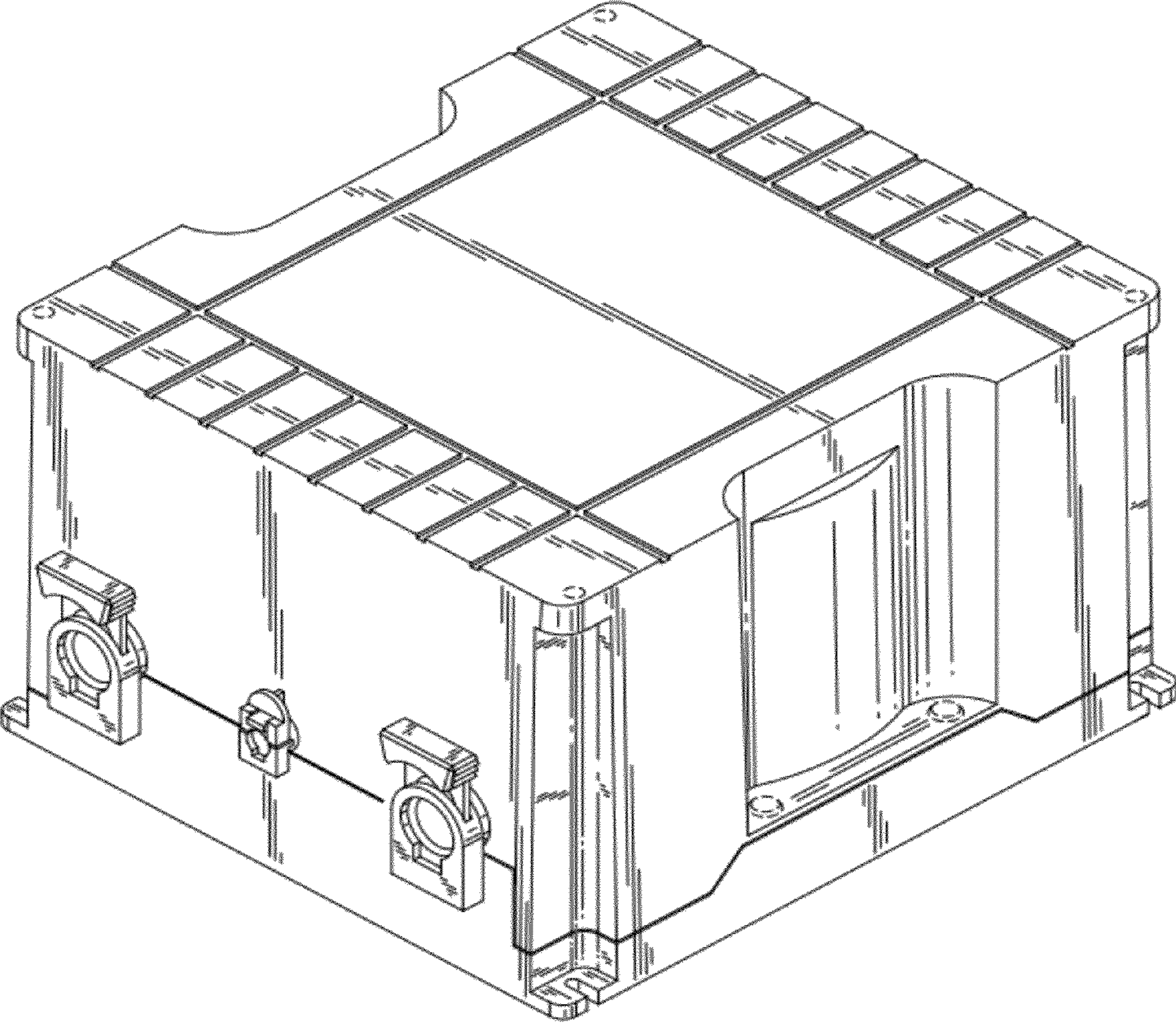


FIG. 1

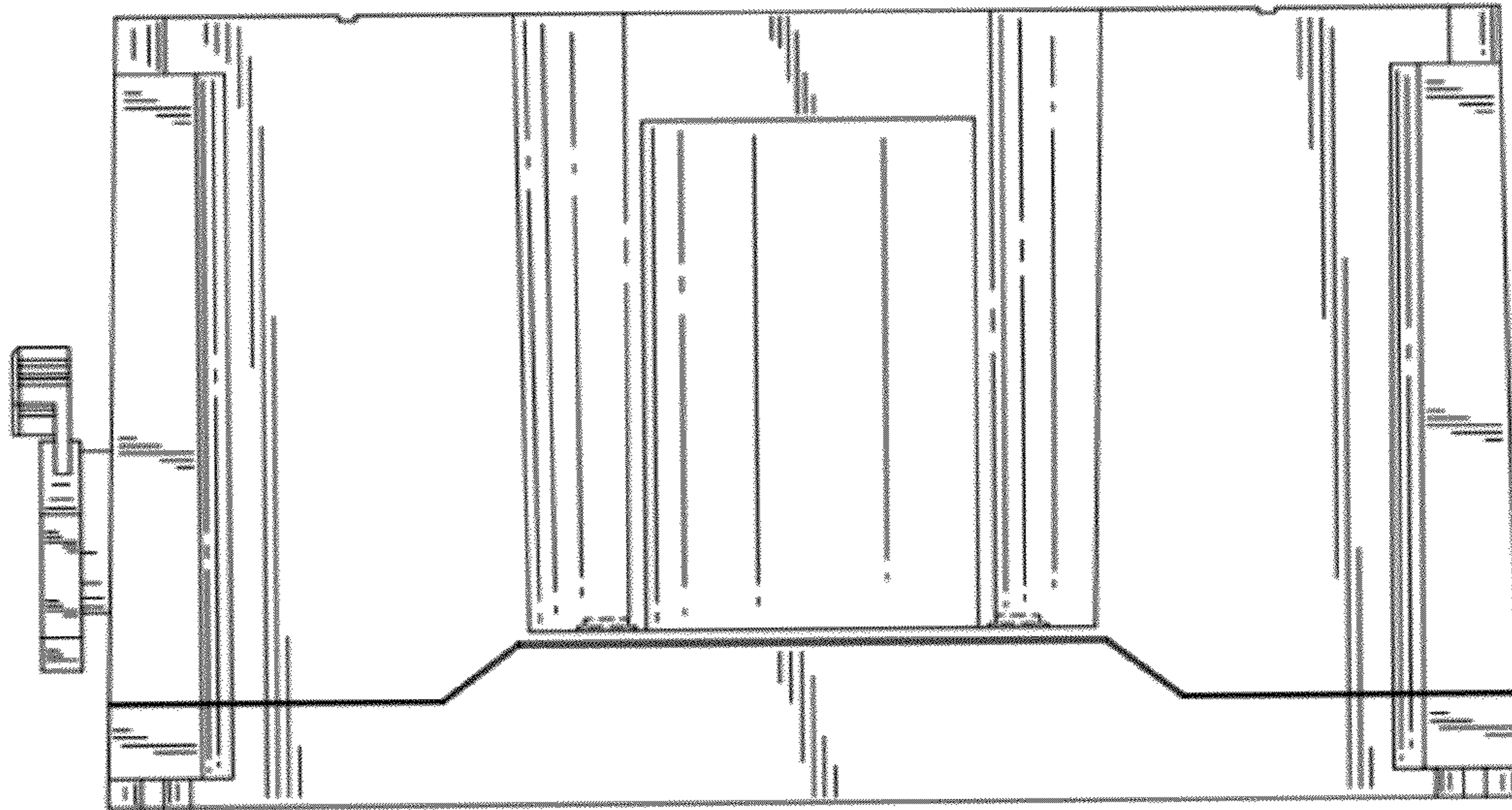


FIG. 2

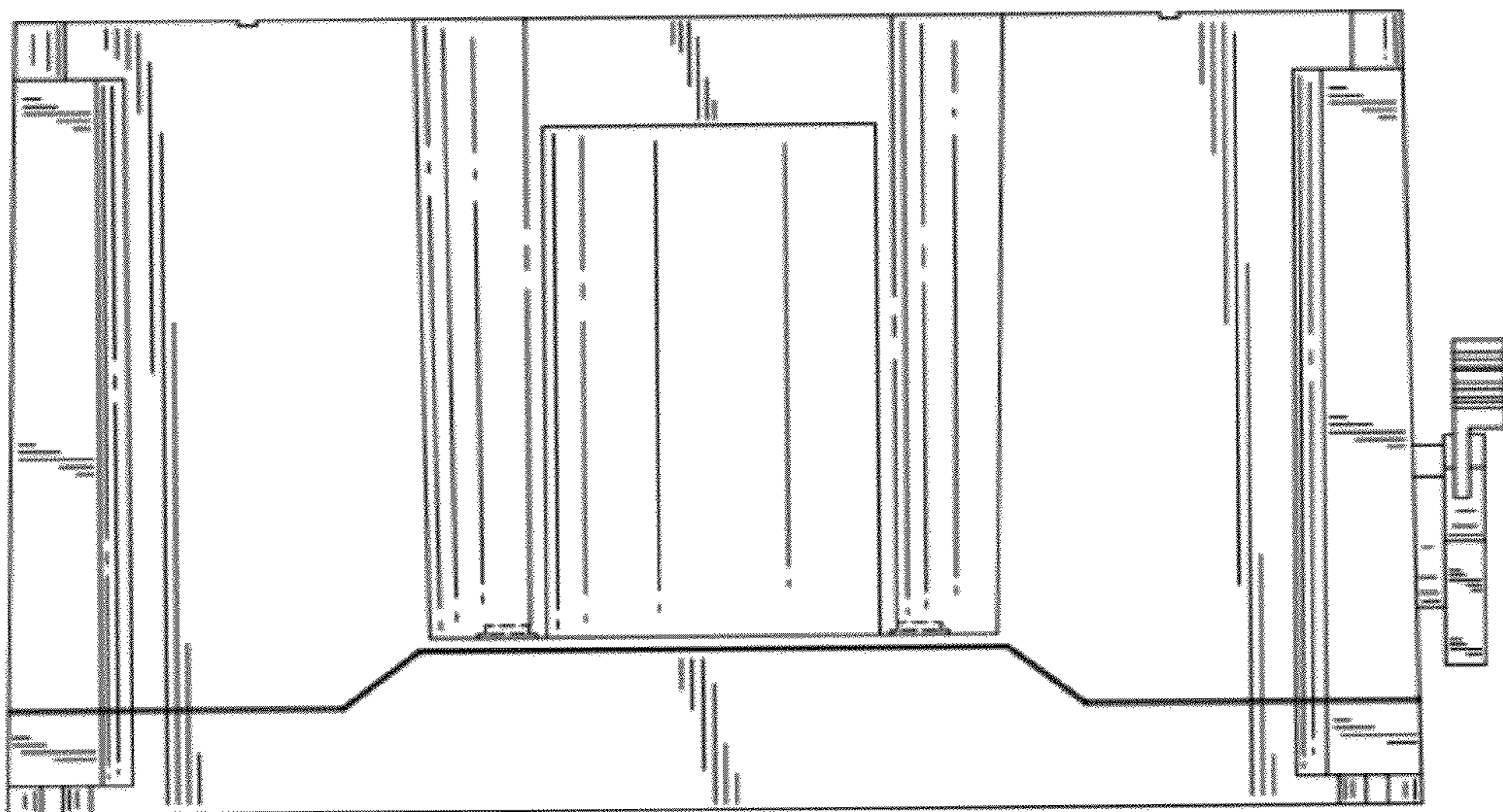


FIG. 3

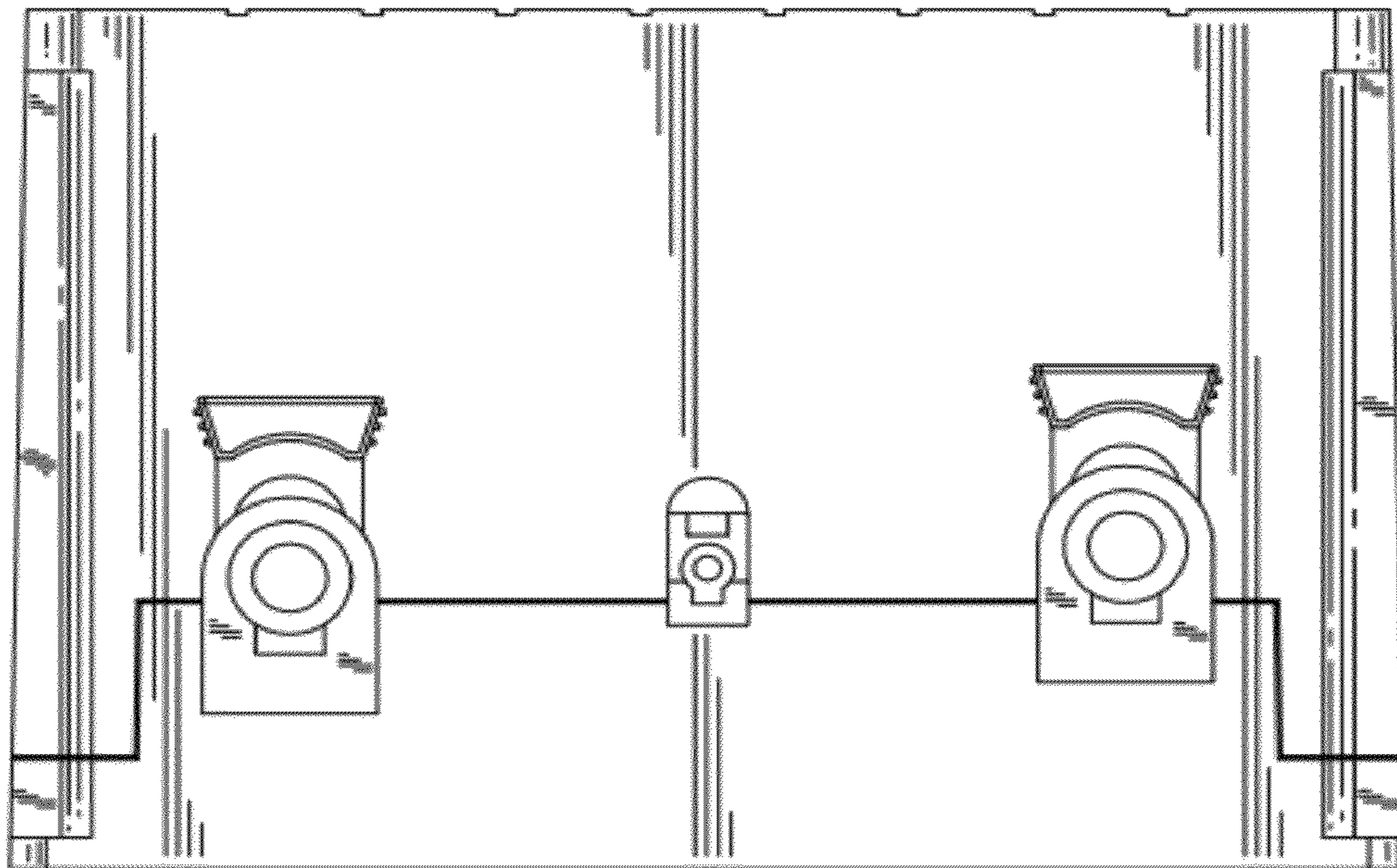


FIG. 4

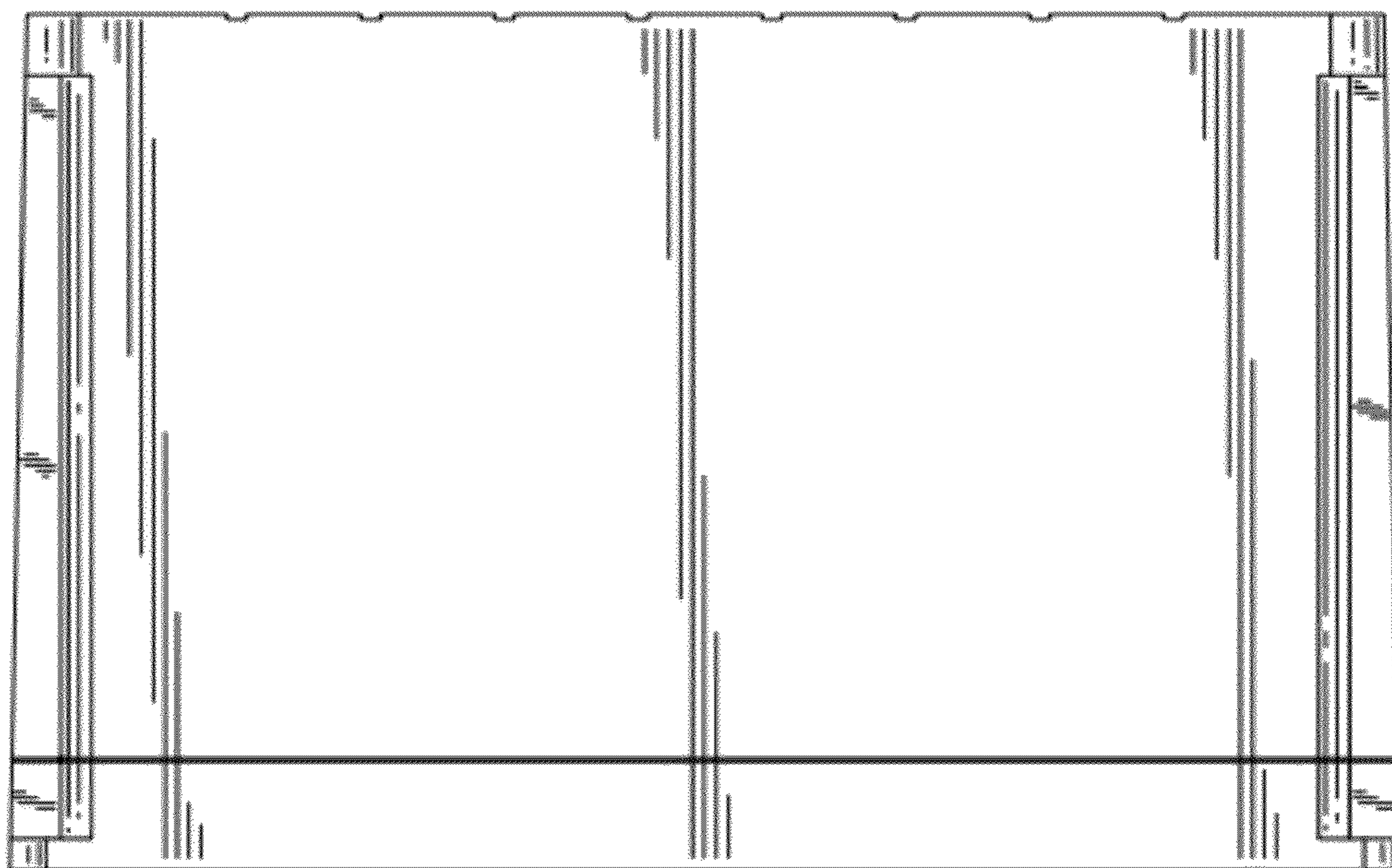


FIG. 5

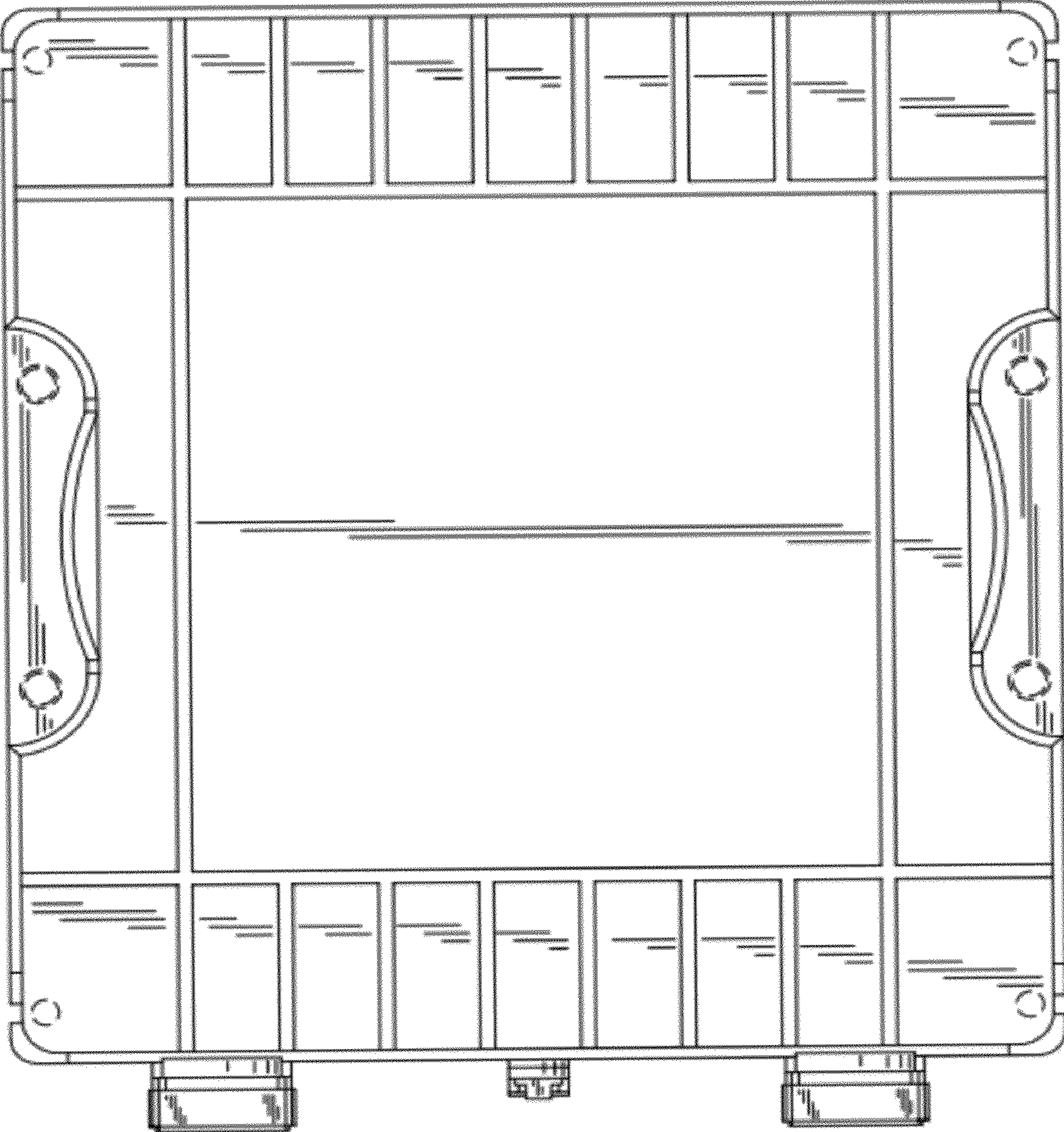


FIG. 6

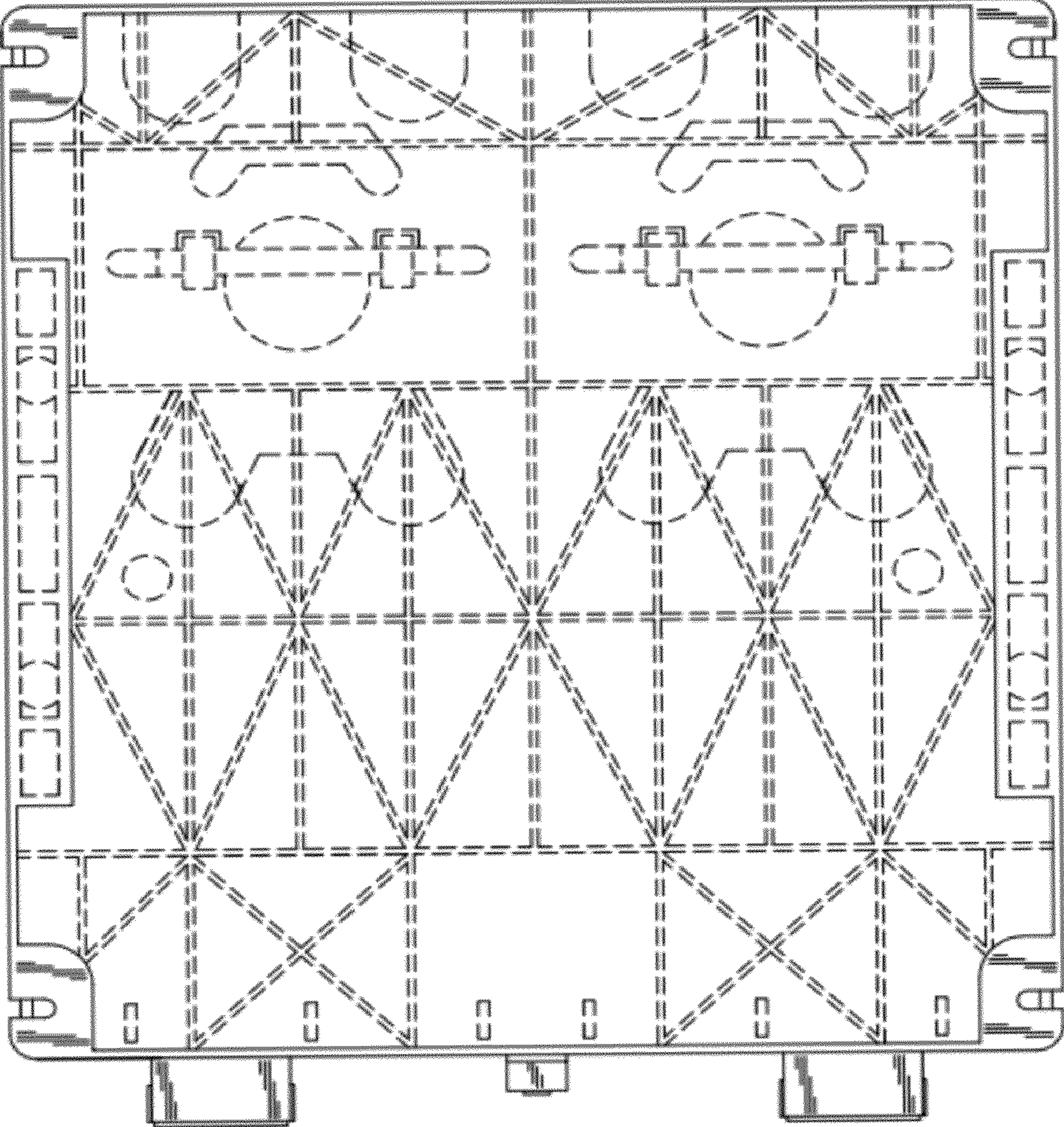


FIG. 7