

US00D662102S

(12) **United States Design Patent**
Derry et al.

(10) **Patent No.:** **US D662,102 S**
(45) **Date of Patent:** **** Jun. 19, 2012**

(54) **POLE ARM**

(75) Inventors: **Bradley A. Derry**, Easton, PA (US);
David VanDuzer, Slatington, PA (US);
Stephen J. Bowman, Allentown, PA (US)

(73) Assignee: **Innovative Office Products, Inc.**,
Easton, PA (US)

(**) Term: **14 Years**

(21) Appl. No.: **29/382,510**

(22) Filed: **Jan. 4, 2011**

(51) **LOC (9) Cl.** **08-07**

(52) **U.S. Cl.** **D14/452**

(58) **Field of Classification Search** D14/448,
D14/451, 452, 457, 460, 461, 432, 439, 447,
D14/127, 239, 373, 374, 377; D8/349, 354,
D8/363, 373, 376, 380; 248/519, 534, 541,
248/58, 125.8, 127, 131, 133, 139, 176.1,
248/176.3, 188.5, 279.1, 333, 917, 918, 919,
248/920, 921, 922, 923, 924; 361/679.02,
361/679.04, 679.05, 679.06, 679.07, 679.09,
361/679.21, 679.22, 679.26, 679.3; 379/454,
379/455; 312/223.3; 348/825

See application file for complete search history.

(56) **References Cited**

U.S. PATENT DOCUMENTS

4,058,302	A	11/1977	Barrowcliff	
D391,148	S *	2/1998	Rosen	D8/380
6,129,320	A	10/2000	Warren-Pfaeffle	
D435,852	S *	1/2001	Oddsens, Jr.	D14/452
D465,188	S *	11/2002	McCoy et al.	D12/223
D494,183	S *	8/2004	Wills et al.	D14/452
D496,367	S *	9/2004	Pfister	D14/451
D508,917	S *	8/2005	Wills et al.	D14/452
7,264,212	B2 *	9/2007	Hung	248/282.1
D554,982	S *	11/2007	Wenck	D8/376
D555,657	S *	11/2007	Loyd	D14/452
D598,917	S *	8/2009	Luber	D14/375
D606,548	S *	12/2009	Sapper	D14/452
D617,630	S *	6/2010	Mansikkamaa	D8/363

7,967,265	B2 *	6/2011	Oddsens et al.	248/224.7
2004/0232474	A1	11/2004	Maemura	
2008/0164395	A1	7/2008	Chang et al.	
2010/0237209	A1	9/2010	Whittemore et al.	

FOREIGN PATENT DOCUMENTS

EP 1139003 A2 10/2001

OTHER PUBLICATIONS

Screen shot of Humanscale M7 One Monitor Arm for Desk Mount or Wall Mount from www.ergodirect.com and photo of the same from www.humanscale.com; Nov. 26, 2010.

Screen shot of Dual Screen Monitor Arm by Symmetry Office Products from www.gkbcinc.com and installation instructions for the same from www.symmetryoffice.com; Nov. 26, 2010.

(Continued)

Primary Examiner — Angela J Lee

(74) *Attorney, Agent, or Firm* — Design IP

(57) **CLAIM**

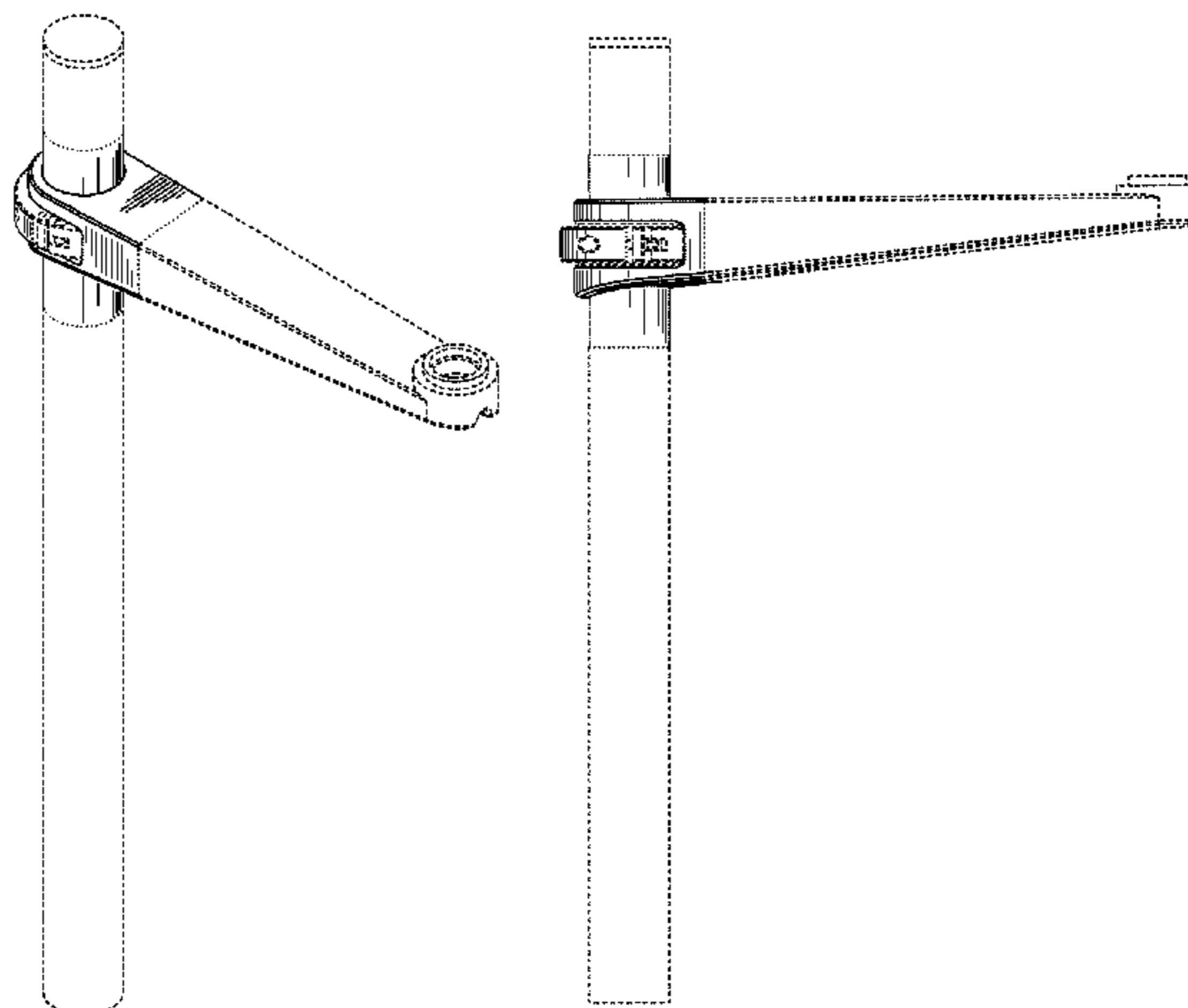
The ornamental design for a pole arm, as shown and described.

DESCRIPTION

FIG. 1 is a perspective view of a first embodiment of a pole arm showing our new design;
FIG. 2 is a front orthographic view thereof;
FIG. 3 is a rear orthographic view thereof;
FIG. 4 is a left side orthographic view thereof;
FIG. 5 is a right side orthographic view thereof;
FIG. 6 is a top orthographic view thereof;
FIG. 7 is a bottom orthographic view thereof;
FIG. 8 is a perspective view of a second embodiment of a pole arm showing our new design;
FIG. 9 is a front orthographic view thereof;
FIG. 10 is a rear orthographic view thereof;
FIG. 11 is a left side orthographic view thereof;
FIG. 12 is a right side orthographic view thereof;
FIG. 13 is a top orthographic view thereof; and,
FIG. 14 is a bottom orthographic view thereof.

The dotted lines in FIGS. 1-14 represent boundary lines between claimed and unclaimed subject matter, with the dotted lines themselves representing unclaimed subject matter. The dashed lines shown in FIGS. 1-14 are included for the purpose of illustrating environmental subject matter only and form no part of the claimed design.

1 Claim, 10 Drawing Sheets



US D662,102 S

Page 2

OTHER PUBLICATIONS

Screen shot of Visidec Focus Micro LCD Monitor Arm from www.facio-uk.co.uk and product sheet and installation instructions for the same from www.atdec.com; Nov. 26, 2010.

Screen shot of Spacedec Flat Panel Monitor Arm from www.ergonomicbusinesssolutions.com and product sheet for the same from www.atdec.com; Nov. 26, 2010.

* cited by examiner

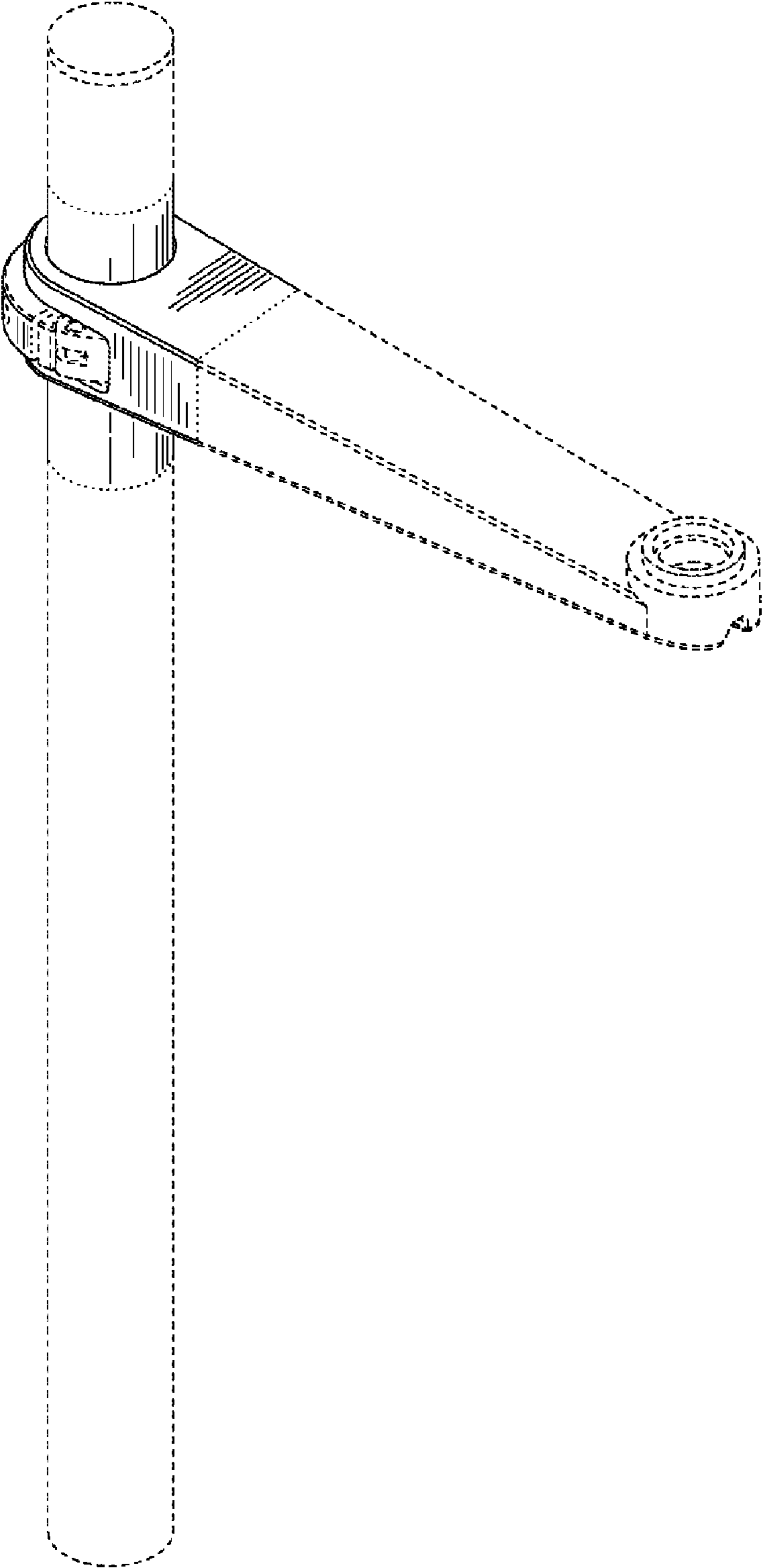


FIG. 1

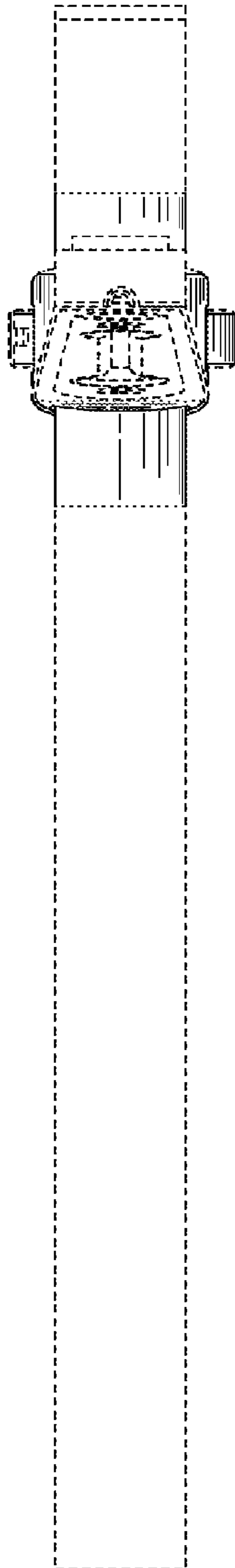


FIG. 2

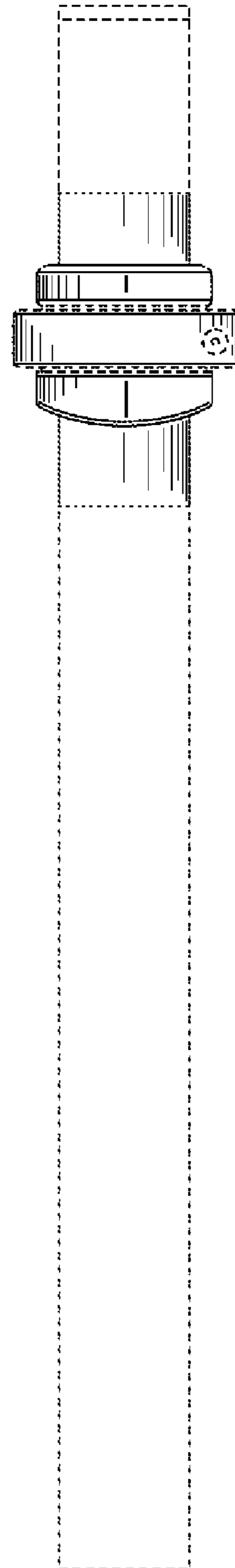


FIG. 3

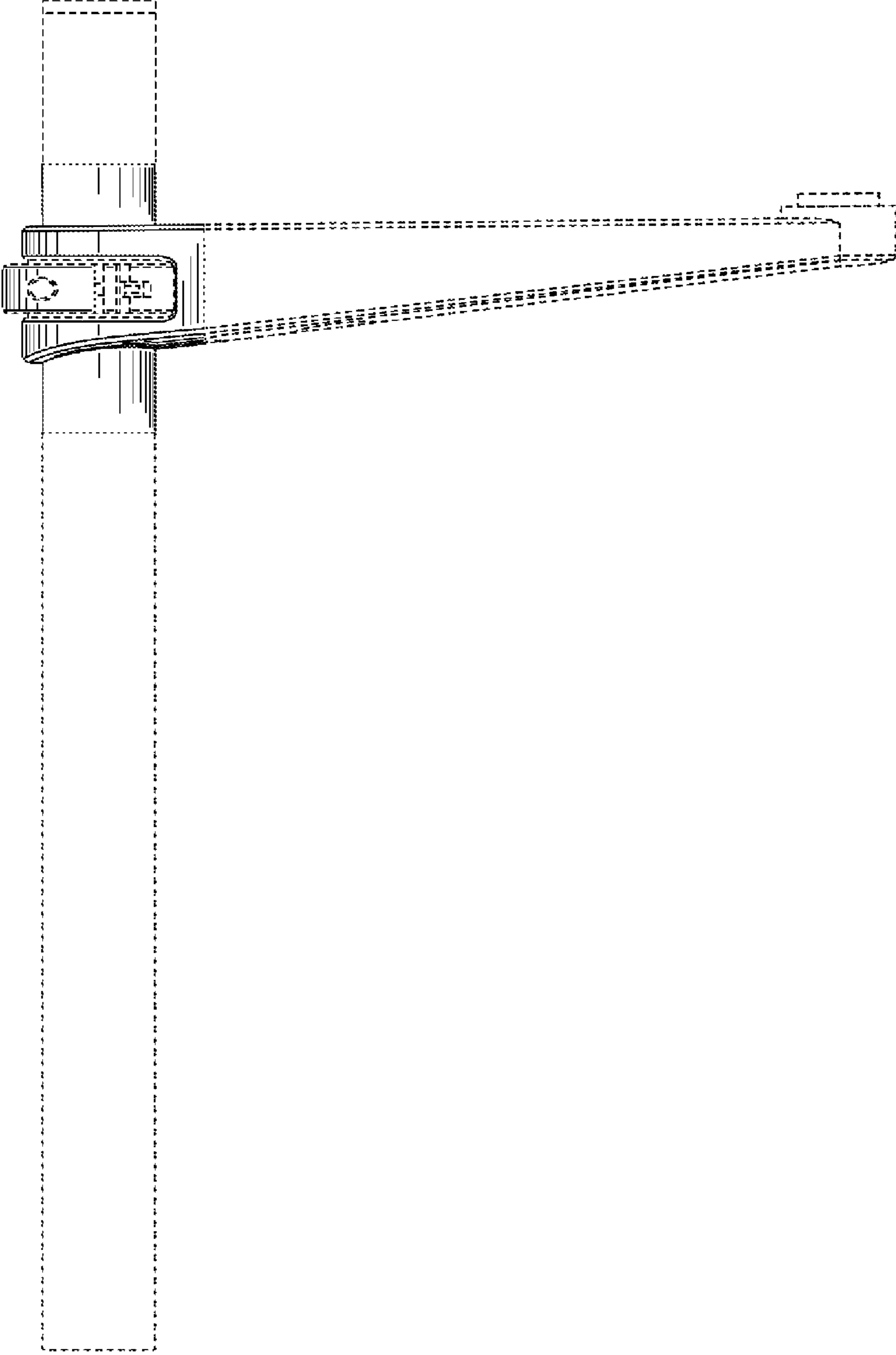


FIG. 4

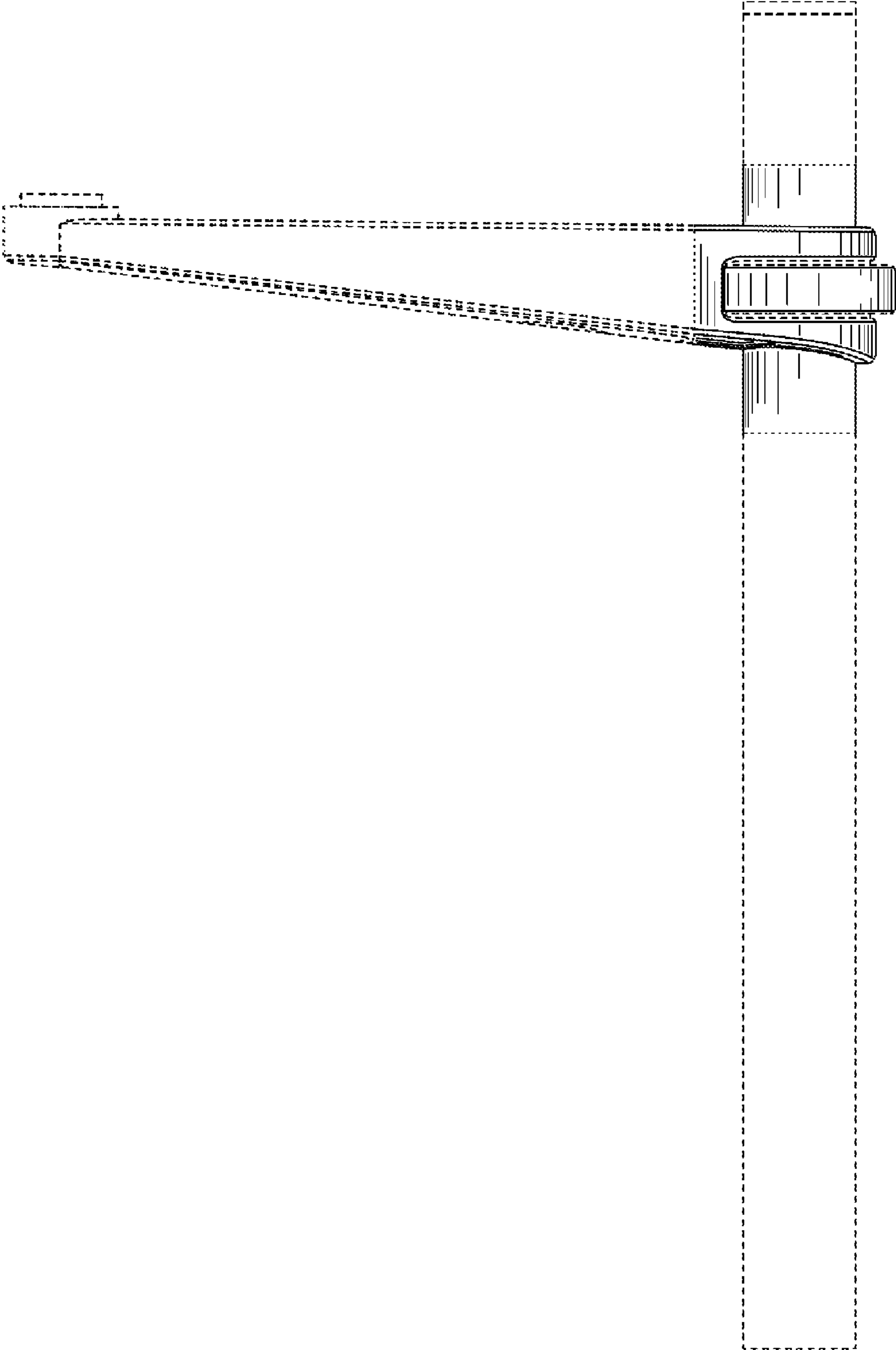


FIG. 5

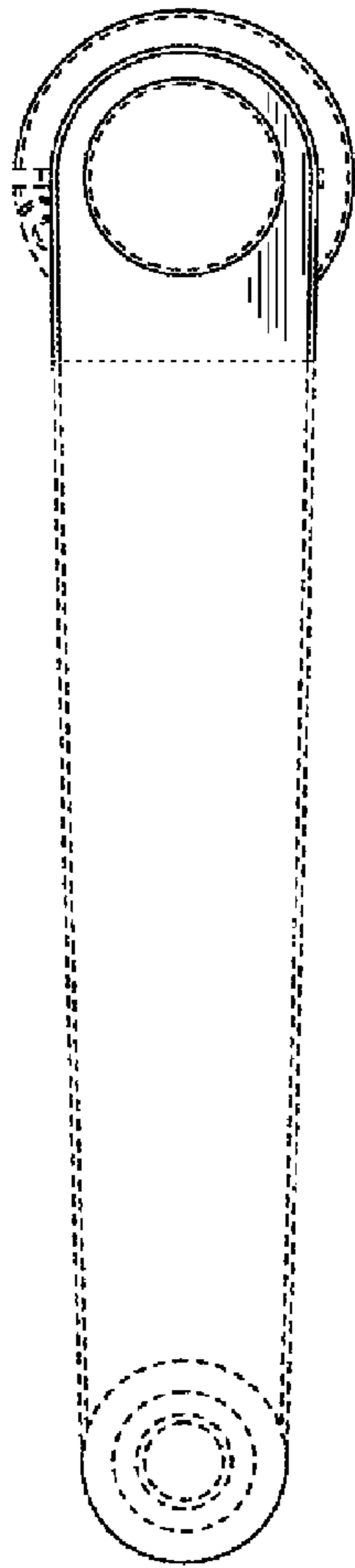


FIG. 6

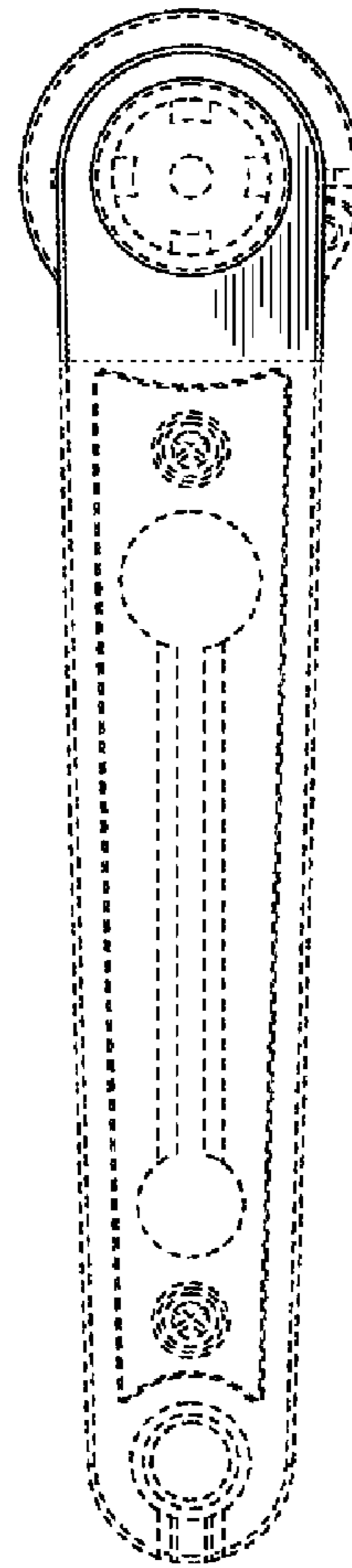


FIG. 7

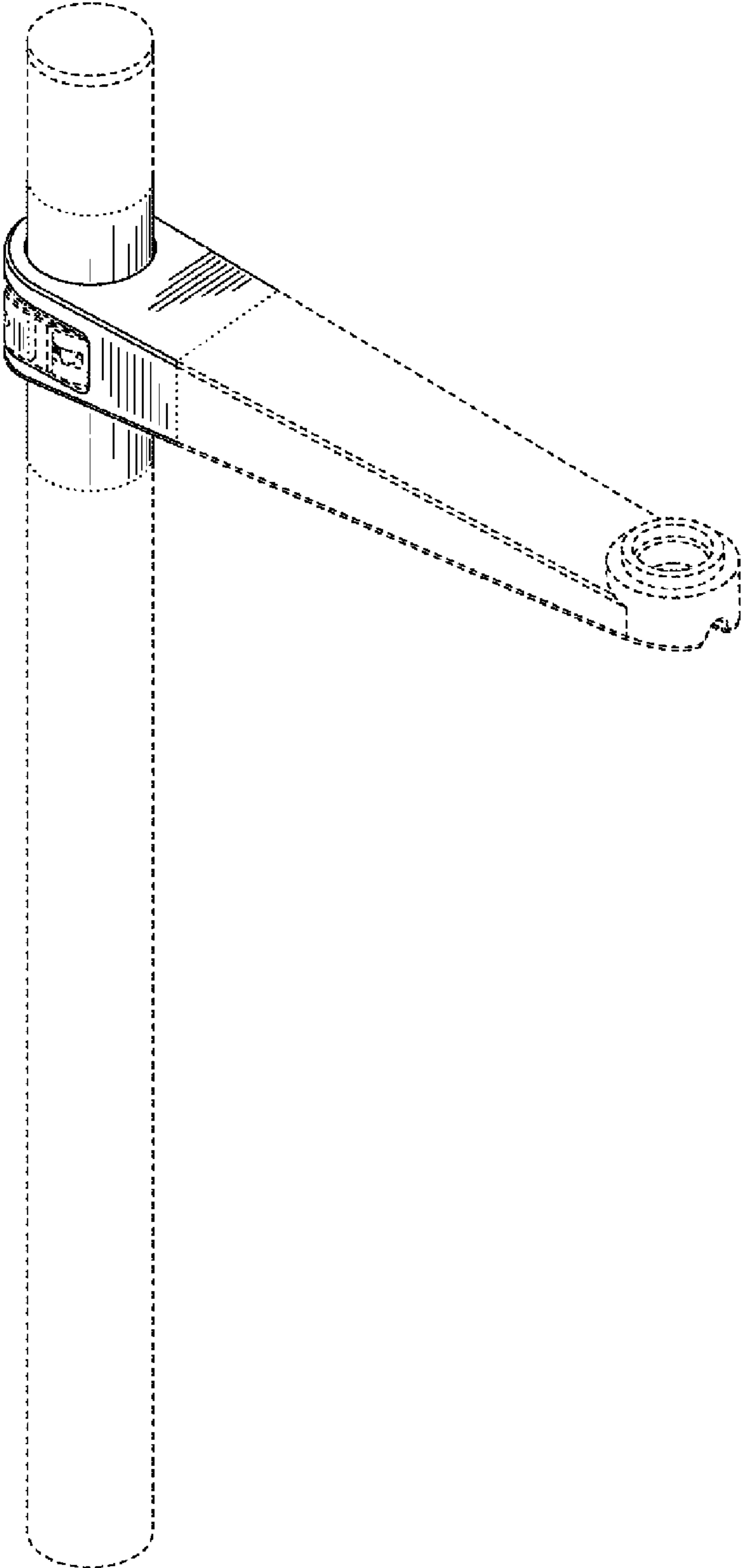


FIG. 8

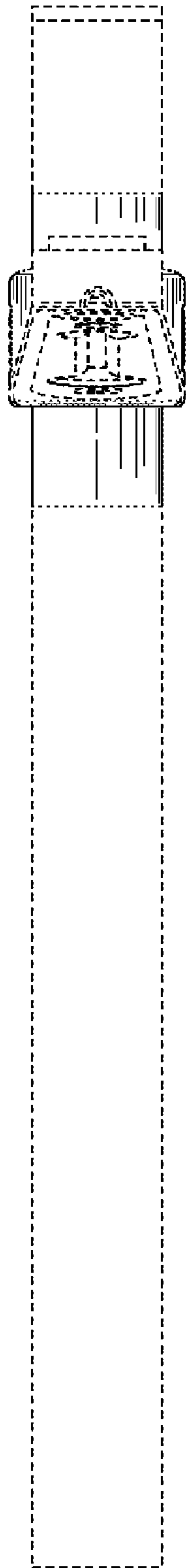


FIG. 9

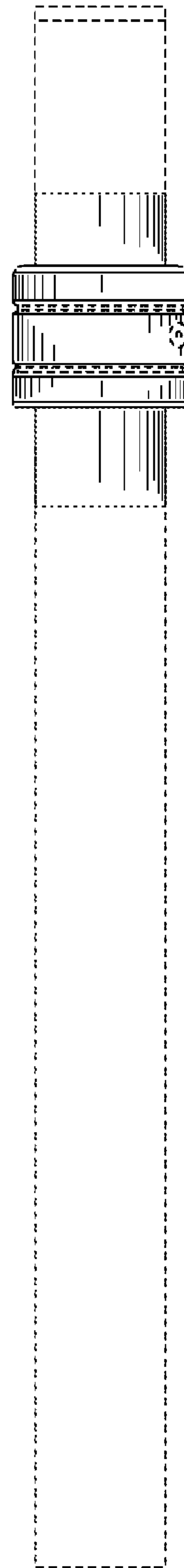


FIG. 10

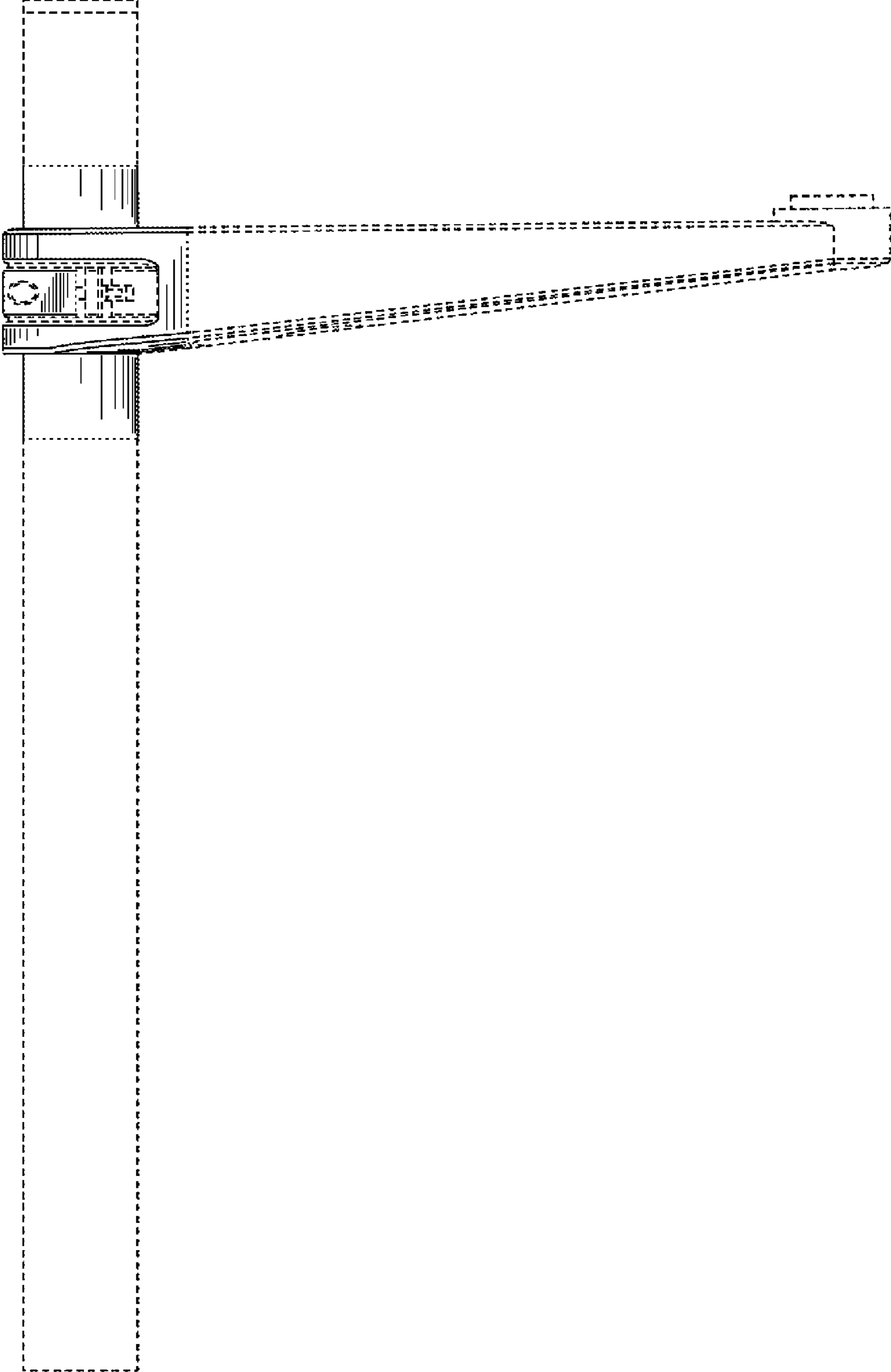


FIG. 11

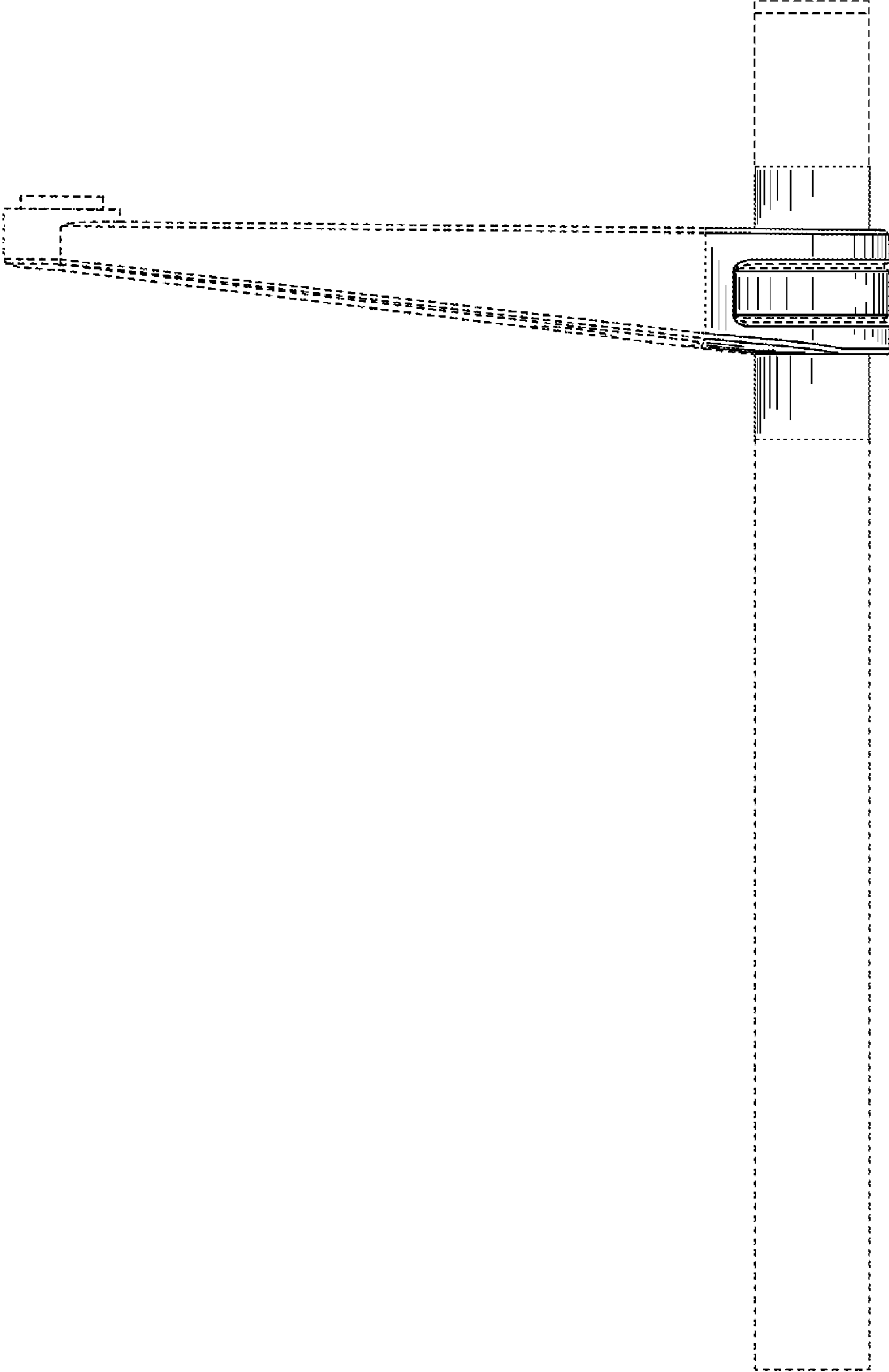


FIG. 12

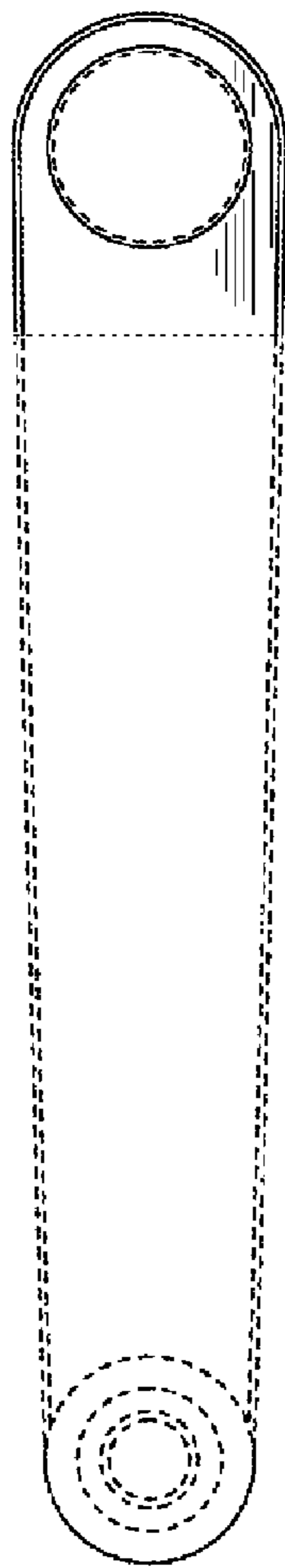


FIG. 13

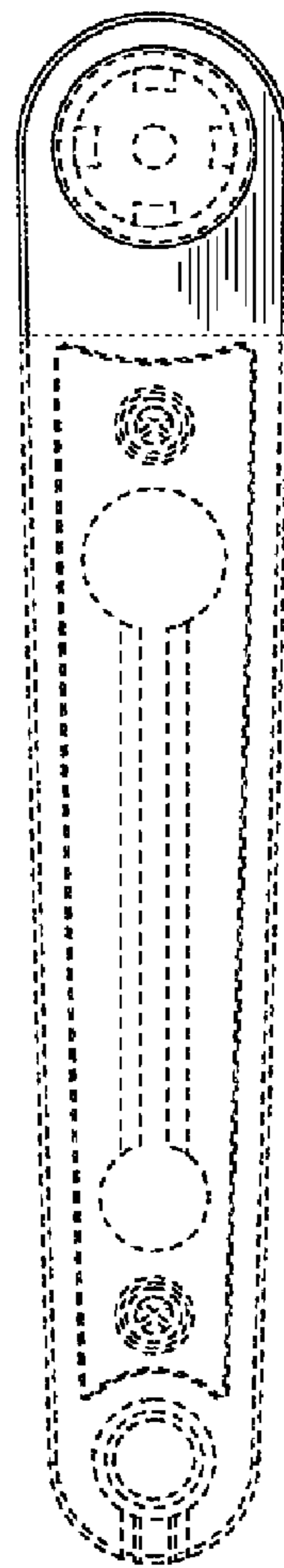


FIG. 14