



US00D662101S

(12) **United States Design Patent**
Glaros et al.

(10) **Patent No.:** **US D662,101 S**
(45) **Date of Patent:** **** Jun. 19, 2012**

- (54) **MOVABLE MOUNTING ARM**
 - (75) Inventors: **Gregory Emil Glaros**, McLean, VA (US); **Eric Murach, Sr.**, Boiling Springs, PA (US)
 - (73) Assignee: **Synexxus, Inc.**, Arlington, VA (US)
 - (**) Term: **14 Years**
 - (21) Appl. No.: **29/379,492**
 - (22) Filed: **Nov. 19, 2010**
 - (51) **LOC (9) Cl.** **08-07**
 - (52) **U.S. Cl.** **D14/452**
 - (58) **Field of Classification Search** D14/451, D14/452, 448, 447, 239, 353; D8/349, 363, D8/373, 380; 248/917, 918, 919, 920-924, 248/122.1, 124.1, 125.8, 371, 393, 157, 425, 248/176.1, 274.1 .11, 284.1, 291.1; 361/679.21, 361/679.22
- See application file for complete search history.

- D654,503 S * 2/2012 Sapper D14/452
 - 2006/0060735 A1 * 3/2006 Oddsen et al. 248/278.1
 - 2007/0262210 A1 * 11/2007 Oh et al. 248/125.1
 - 2008/0029661 A1 * 2/2008 Chen 248/176.1
- * cited by examiner

Primary Examiner — Cynthia Ramirez
(74) *Attorney, Agent, or Firm* — Sterne, Kessler, Goldstein & Fox P.L.L.C.

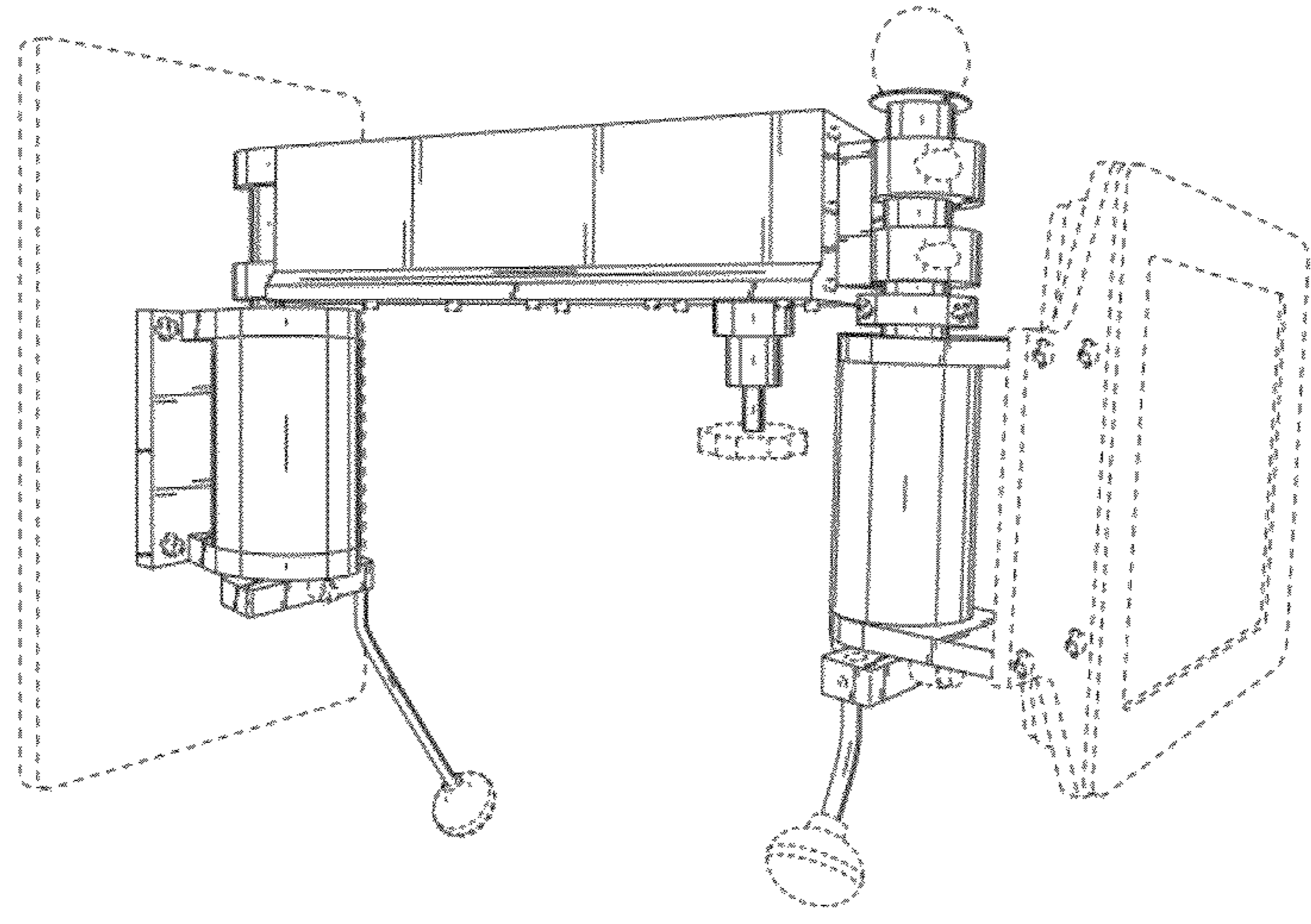
(57) **CLAIM**
The ornamental design for a movable mounting arm, as shown and described.

DESCRIPTION

FIG. 1 is a bottom perspective view of a movable mounting arm showing our new design. The movable mounting arm is shown with a monitor (in broken lines) in an open position; FIG. 2 is a front view thereof; FIG. 3 is a rear view thereof; and FIG. 4 is a left side view thereof; FIG. 5 is a right side view thereof; FIG. 6 is a top plan view thereof; FIG. 7 is a bottom plan view thereof; and, FIG. 8 is another bottom perspective view thereof, with the monitor in a closed position. The broken lines shown in the drawings are included for the purpose of illustrating elements of the mounting arm and form no part of the claimed design.

1 Claim, 8 Drawing Sheets

- (56) **References Cited**
- U.S. PATENT DOCUMENTS
- 4,783,036 A * 11/1988 Vossoughi 248/281.11
- 5,332,181 A * 7/1994 Schweizer et al. 248/123.11
- 6,695,270 B1 * 2/2004 Smed 248/274.1
- 7,048,242 B2 * 5/2006 Oddsen, Jr. 248/280.11
- 7,246,780 B2 * 7/2007 Oddsen, Jr. 248/282.1
- 7,395,995 B2 * 7/2008 Chen 248/284.1
- 7,748,666 B2 * 7/2010 Oddsen et al. 248/123.11
- D640,709 S * 6/2011 Stoelinga D14/452



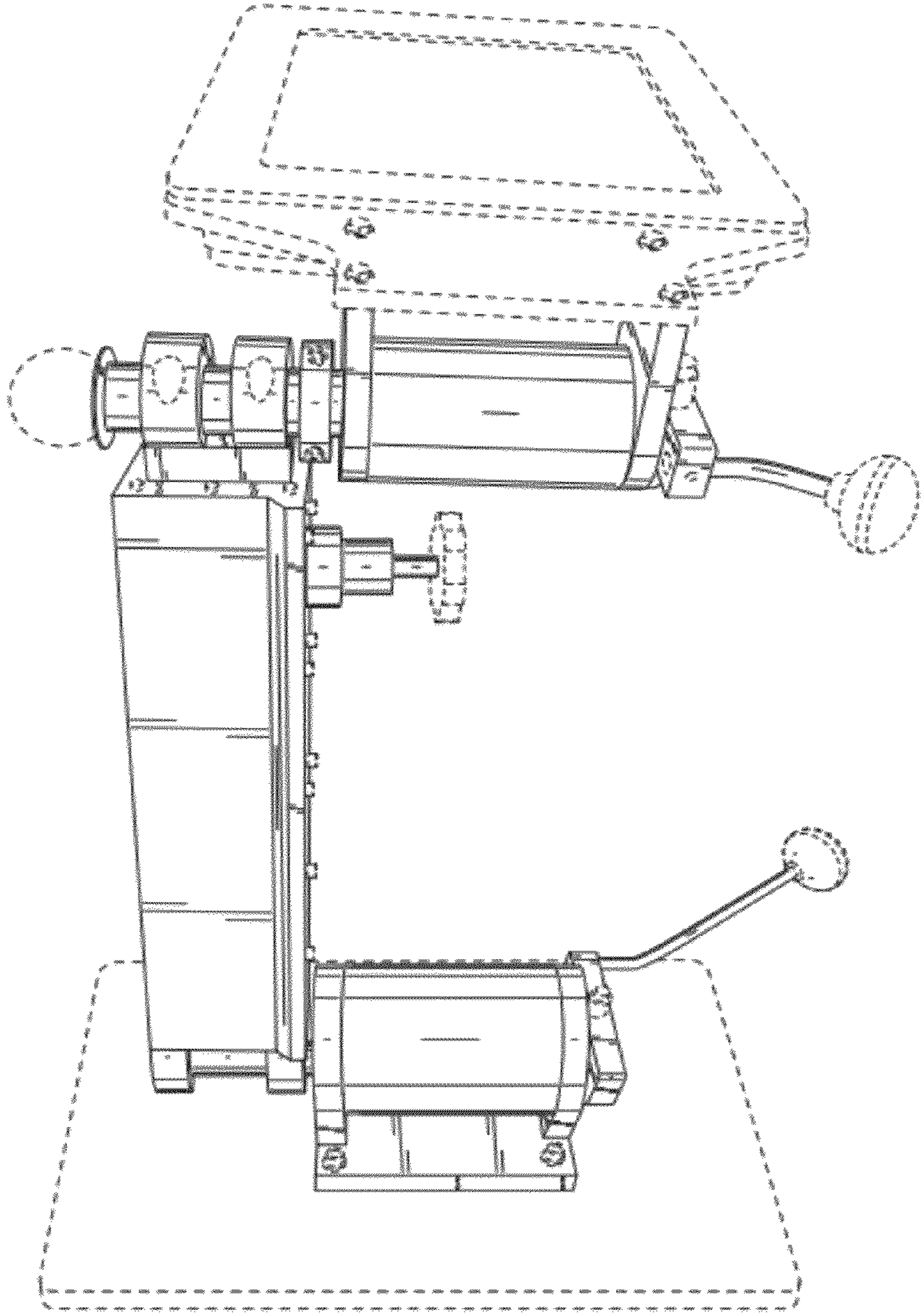


FIG. 1

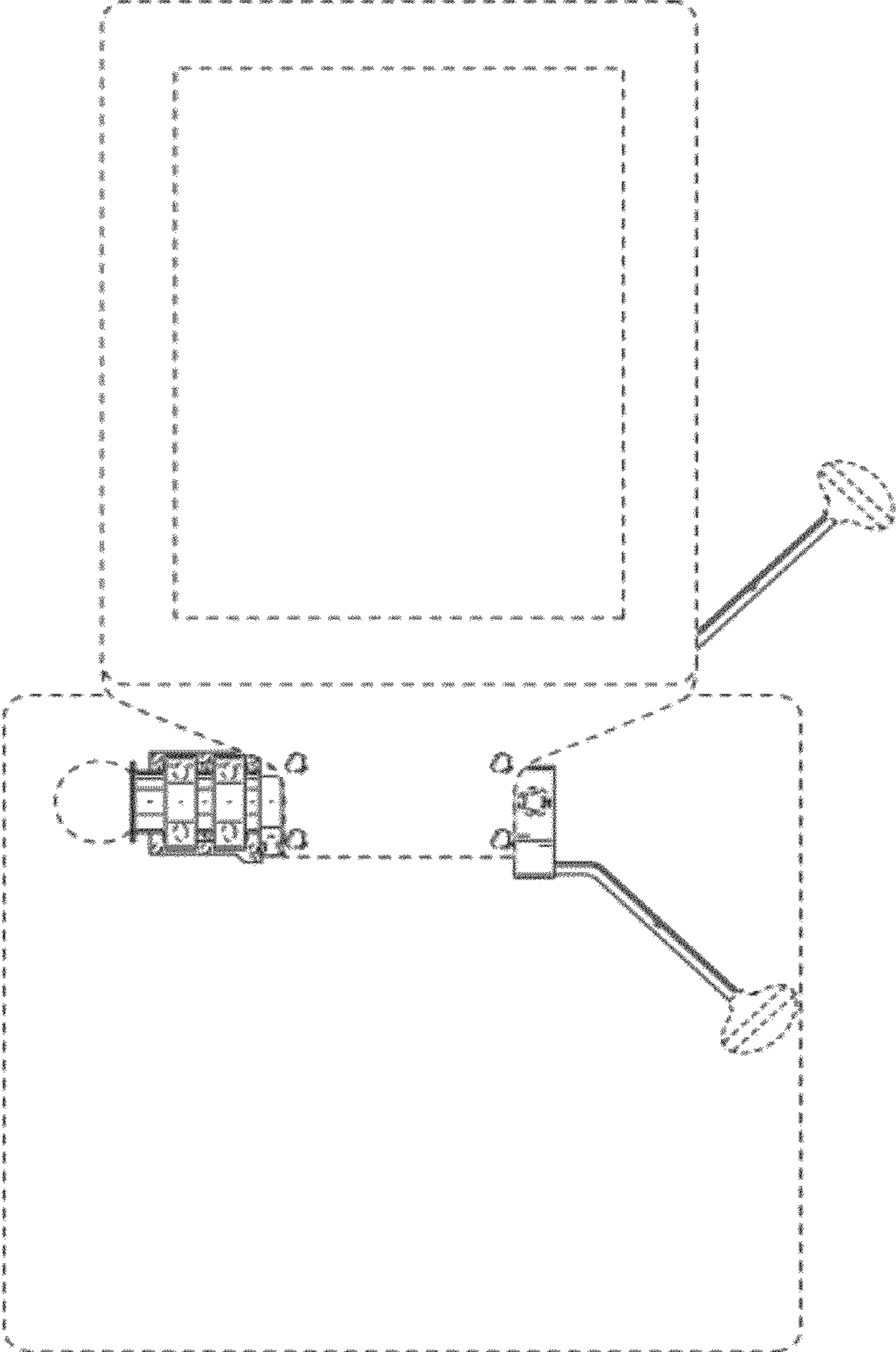


FIG. 2

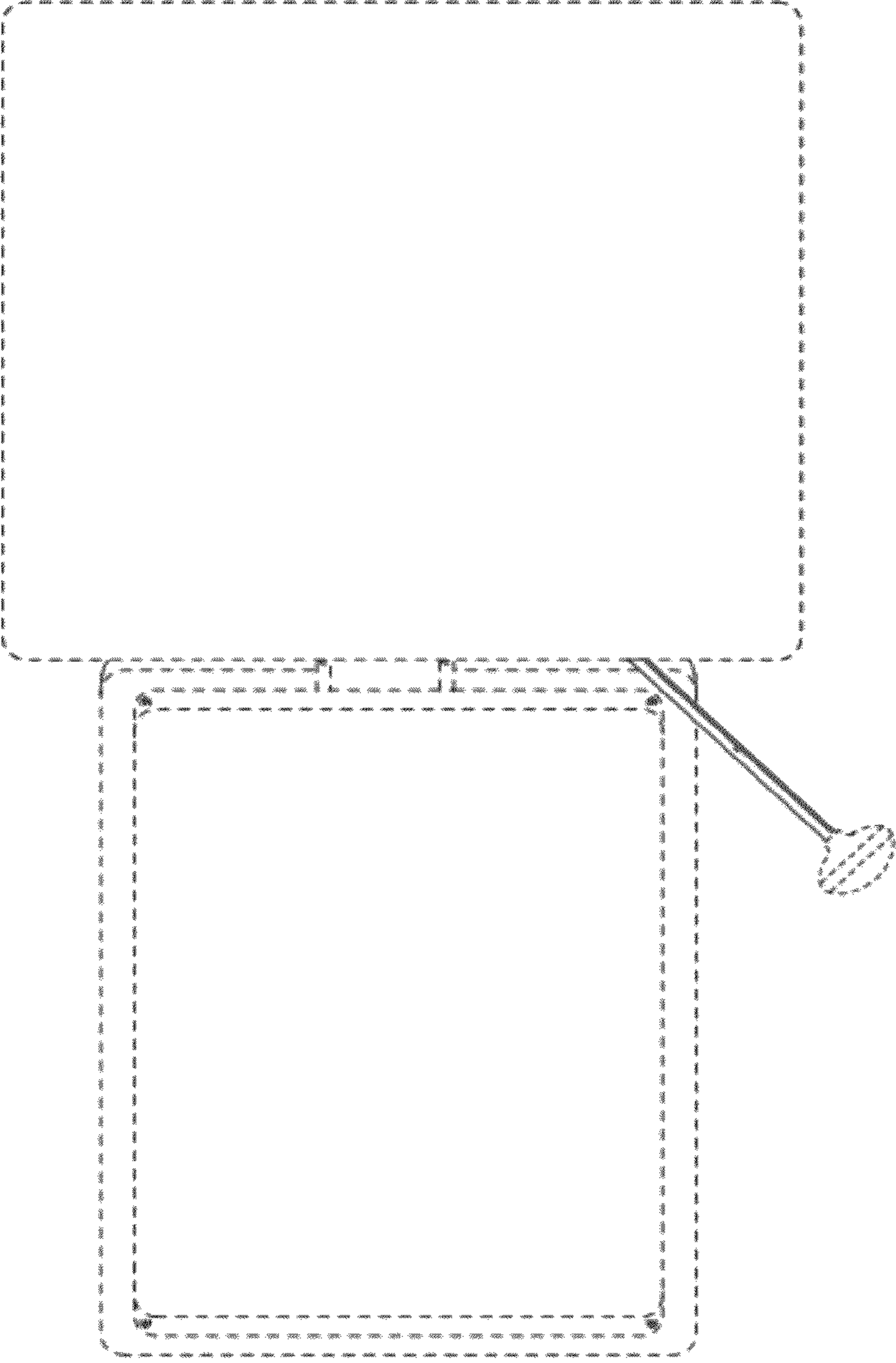


FIG. 3

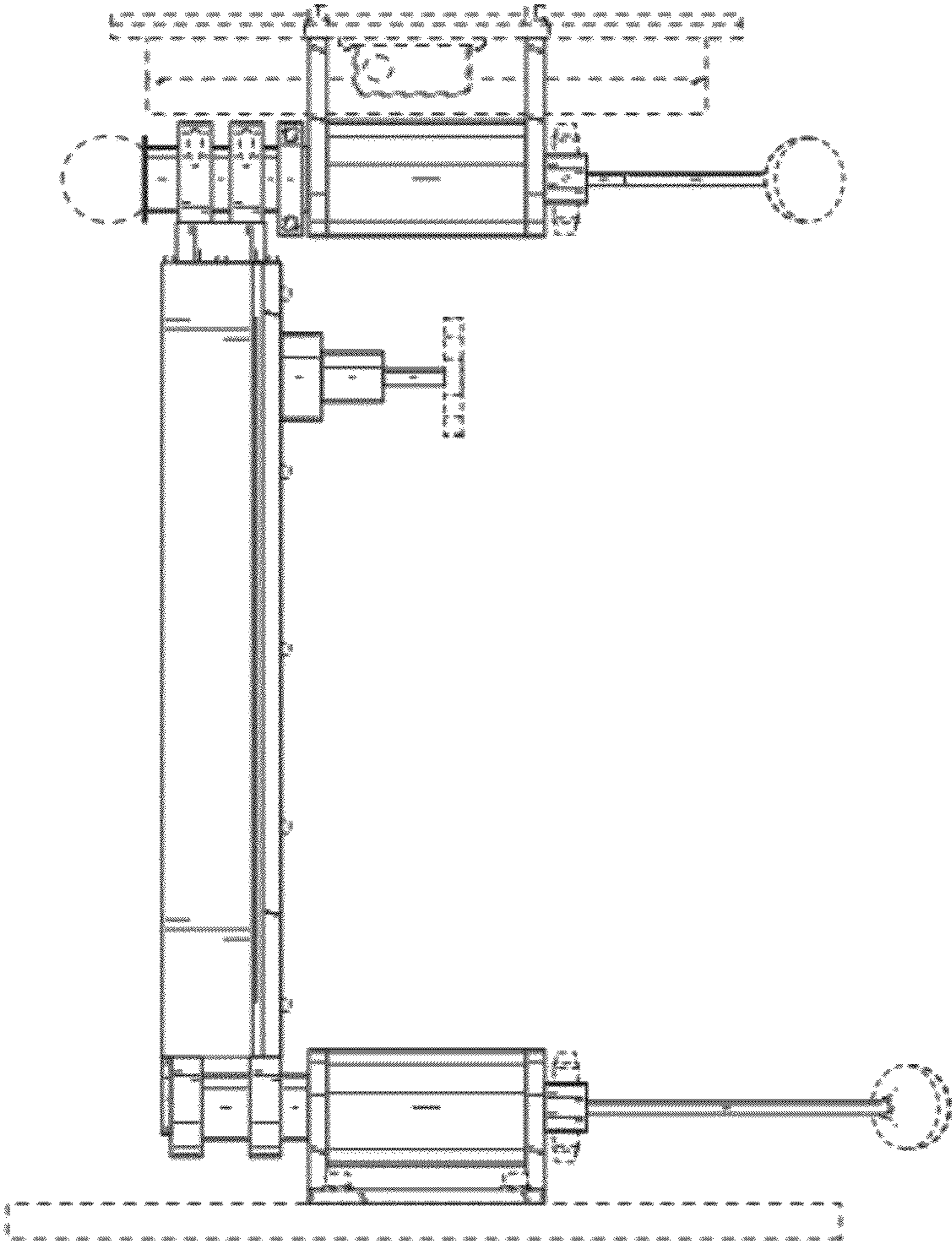


FIG. 4

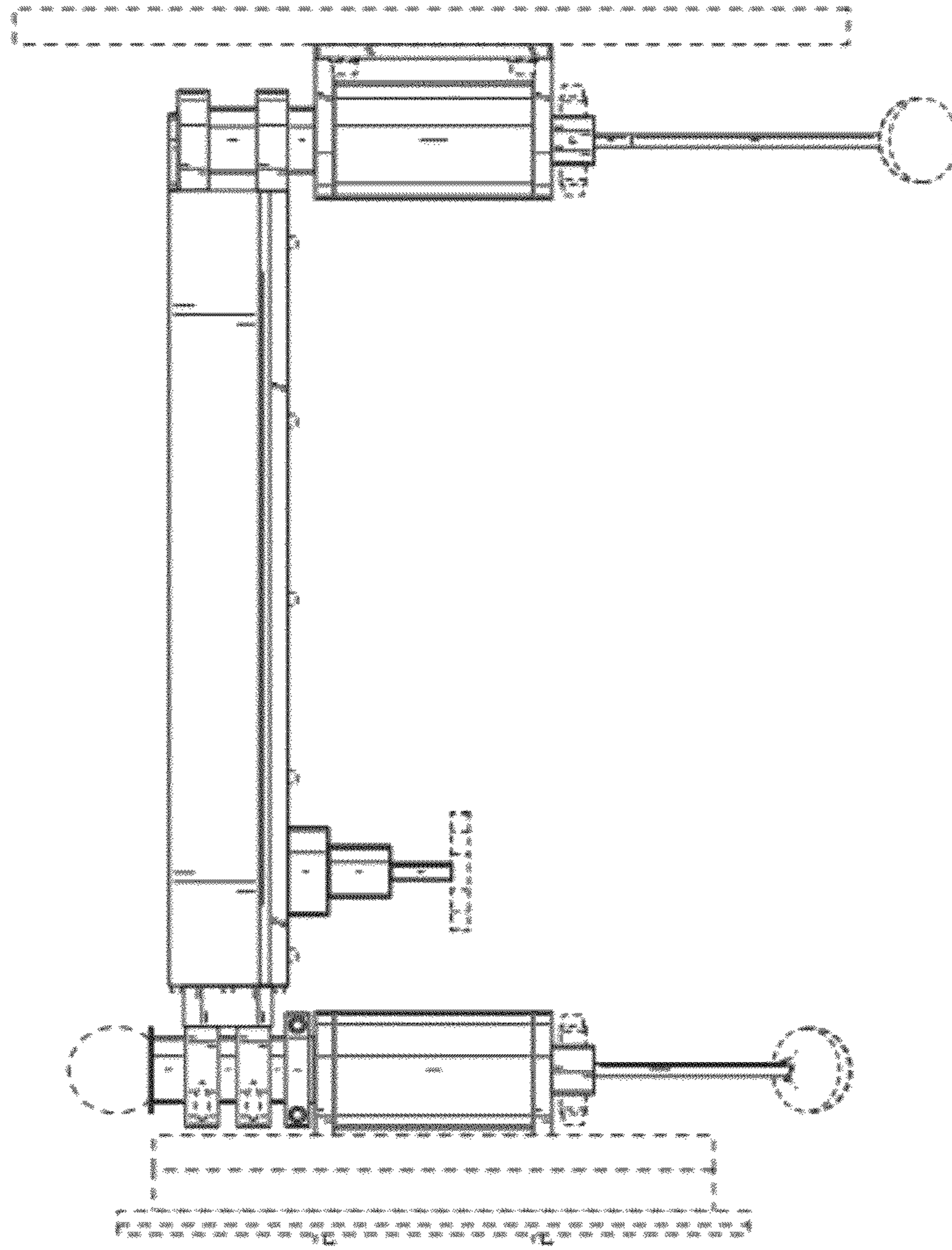


FIG. 5

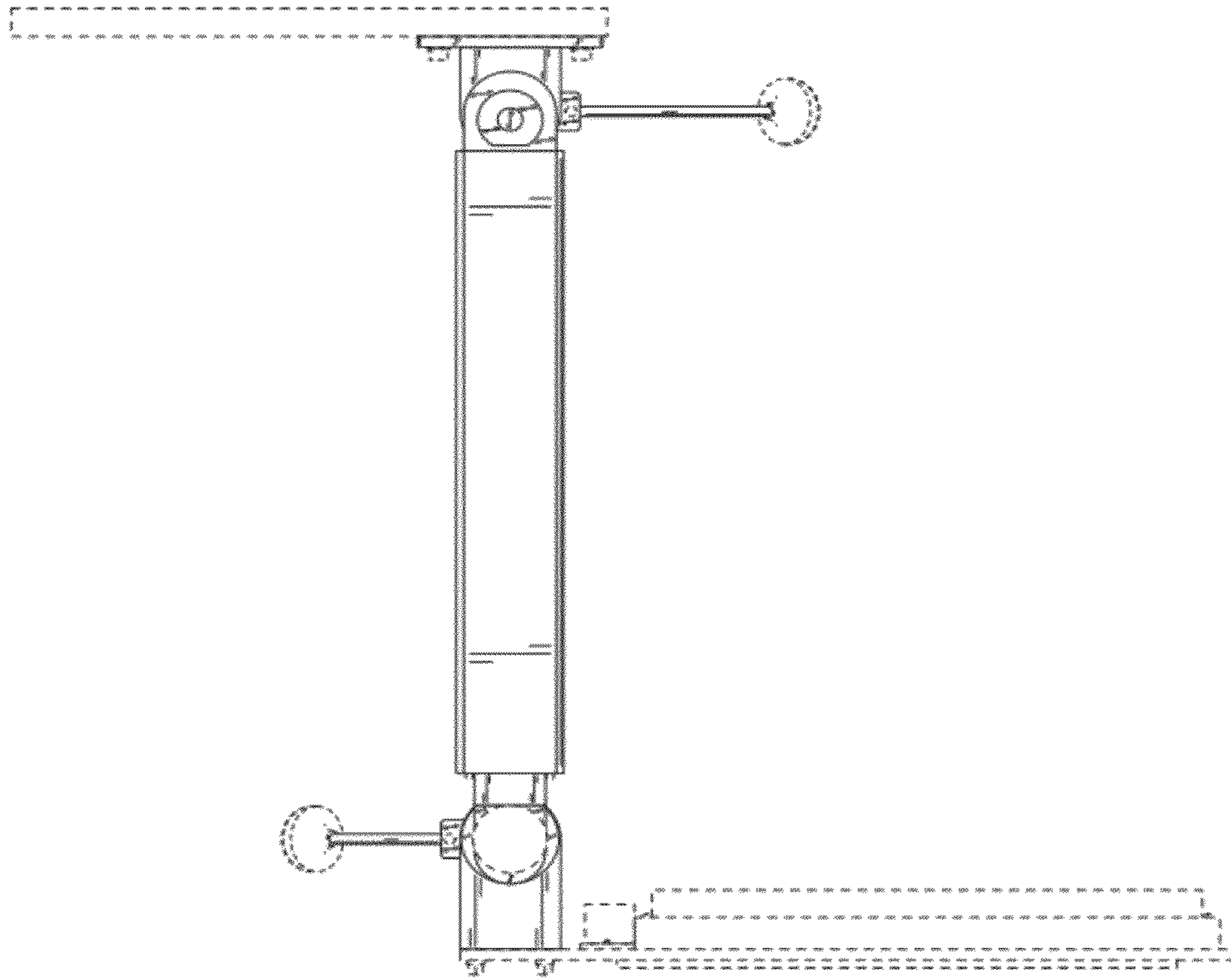


FIG. 6

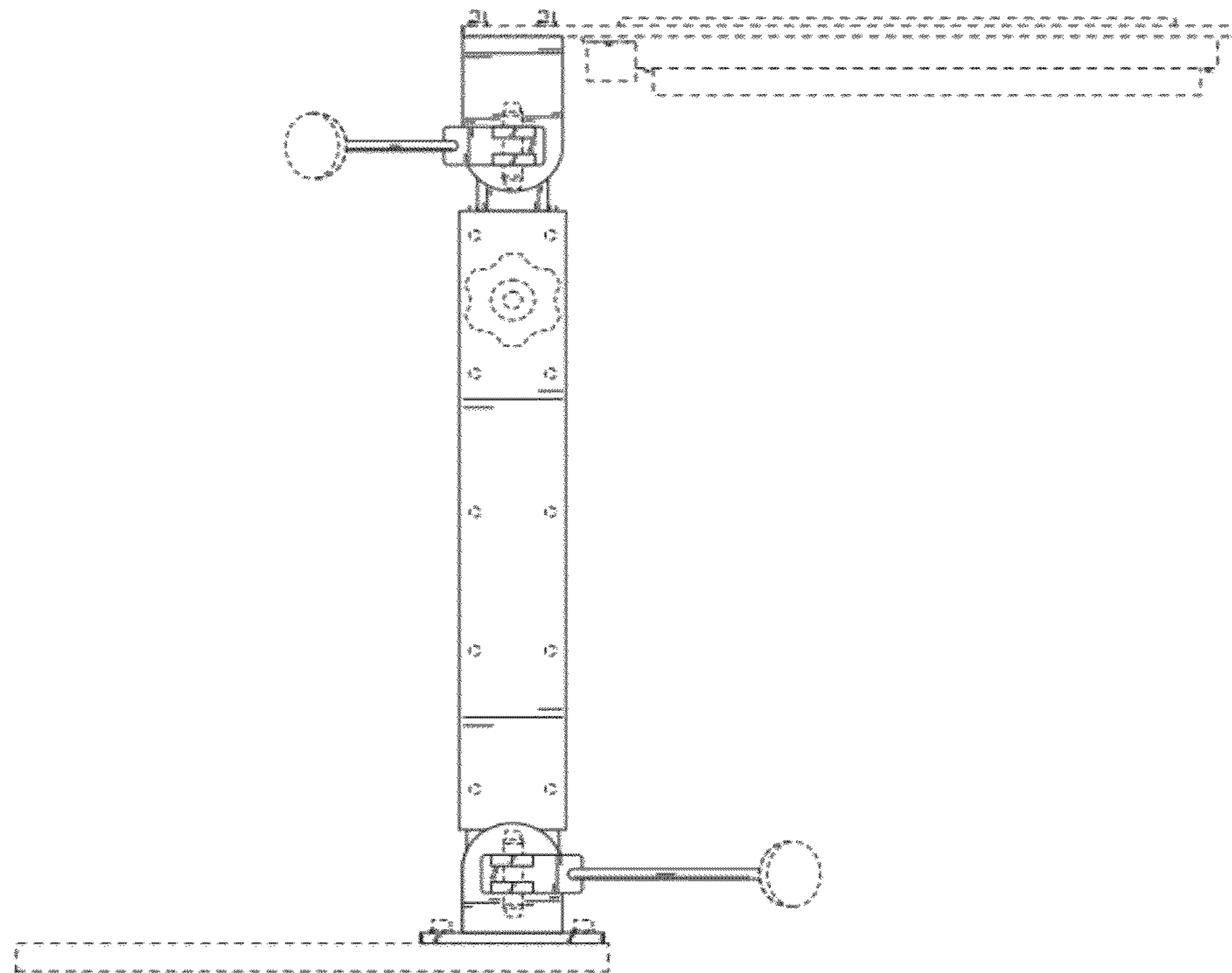


FIG. 7

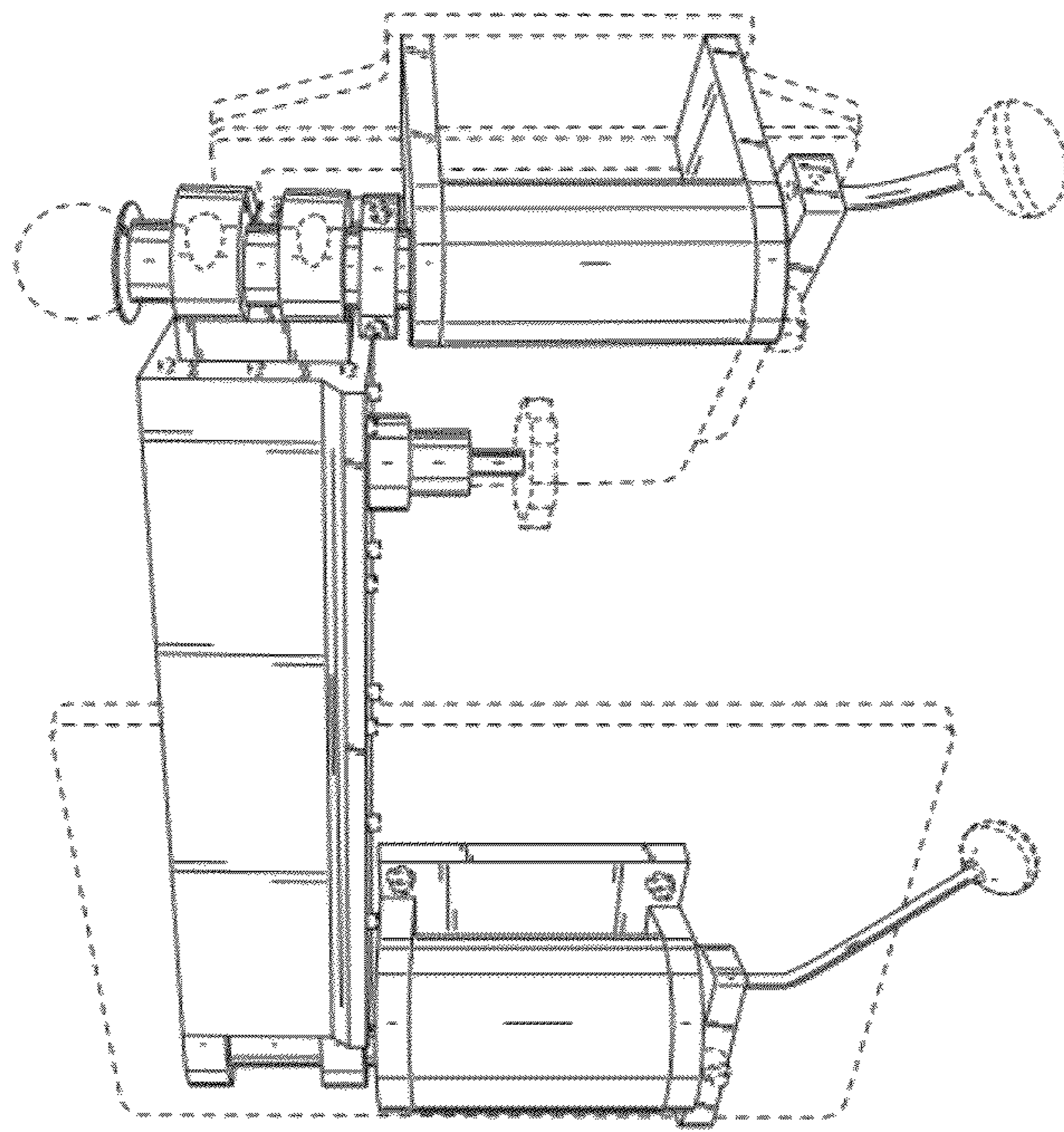


FIG. 8