

US00D662098S

(12) **United States Design Patent**
Leto

(10) **Patent No.:** **US D662,098 S**
(45) **Date of Patent:** **** Jun. 19, 2012**

- (54) **MOUTH STICK**
- (75) Inventor: **Gerald Leto**, San Jose, CA (US)
- (73) Assignee: **Gerald A. Leto**, San Jose, CA (US)
- (**) Term: **14 Years**
- (21) Appl. No.: **29/415,562**
- (22) Filed: **Mar. 12, 2012**
- (51) **LOC (9) Cl.** **14-02**
- (52) **U.S. Cl.** **D14/411**
- (58) **Field of Classification Search** D8/61;
D14/411; D19/35, 36, 41-51, 54-58; 401/55,
401/99, 100, 104-107, 196, 197, 202, 208,
401/209, 213, 192, 195, 243; 708/107; 345/179,
345/173; 178/19.01; 700/94
See application file for complete search history.

5,422,640 A * 6/1995 Haley 341/21
 5,485,357 A * 1/1996 Zolninger 362/103
 5,860,754 A * 1/1999 Garland et al. 401/6
 6,801,231 B1 * 10/2004 Beltz 715/865

* cited by examiner

Primary Examiner — Austin Murphy
(74) *Attorney, Agent, or Firm* — Convergent Law Group
LLP

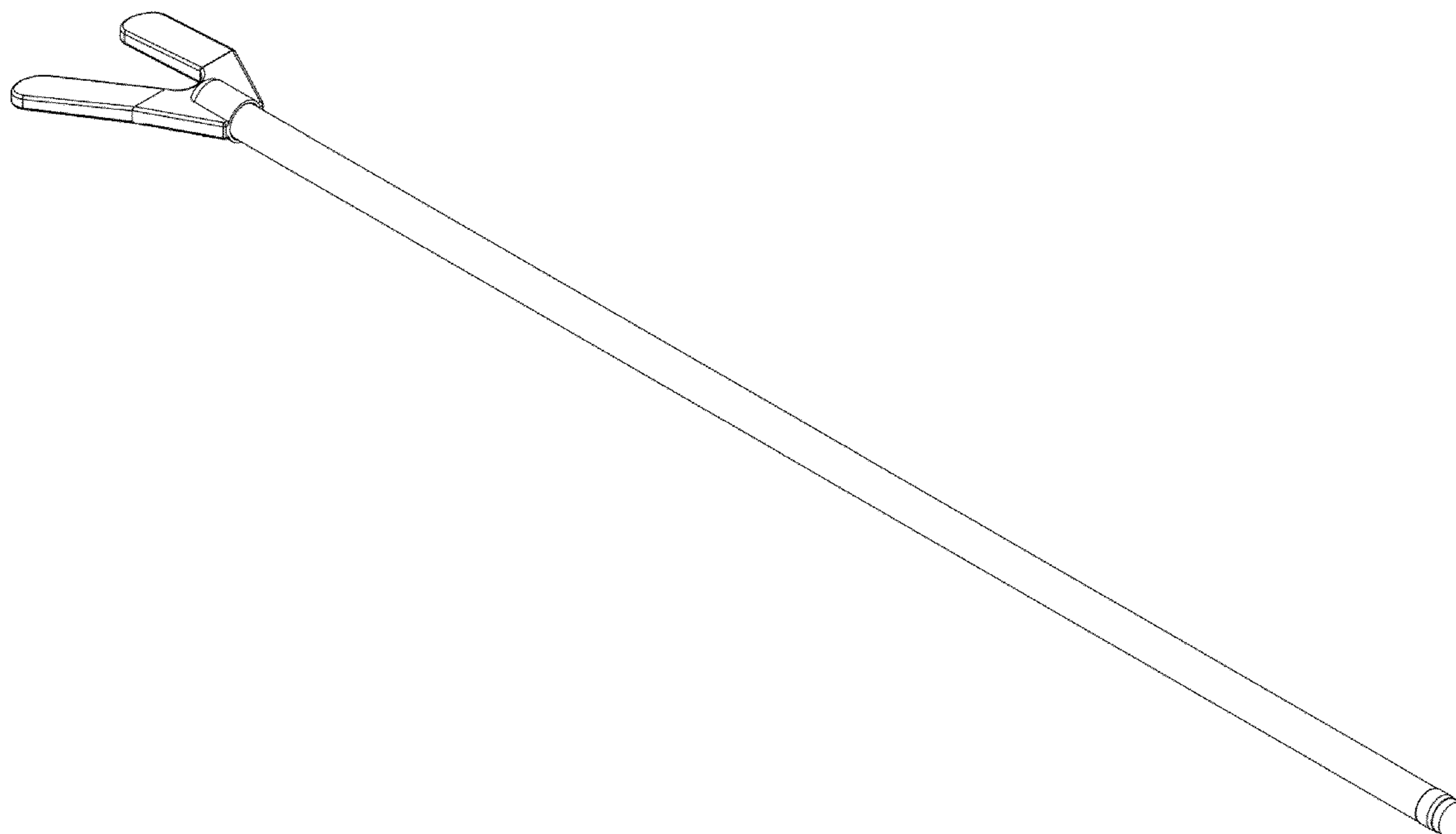
(57) **CLAIM**
The ornamental design for a mouth stick, as shown and
described.

DESCRIPTION

FIG. 1 is a top, front, side perspective view of a mouth stick
showing our new design;
FIG. 2 is an enlarged front end view thereof;
FIG. 3 is a top view thereof;
FIG. 4 is a side view thereof;
FIG. 5 is a bottom view thereof; and,
FIG. 6 is an enlarged rear end view thereof.
The broken lines shown on the mouth stick form no part of the
claimed design.

1 Claim, 6 Drawing Sheets

- (56) **References Cited**
- U.S. PATENT DOCUMENTS
- 3,795,281 A * 3/1974 Cloran 173/30
- 4,472,140 A * 9/1984 Lustig 433/38
- 4,828,418 A * 5/1989 Sauer et al. 401/6
- D327,910 S * 7/1992 Cantlon D19/36



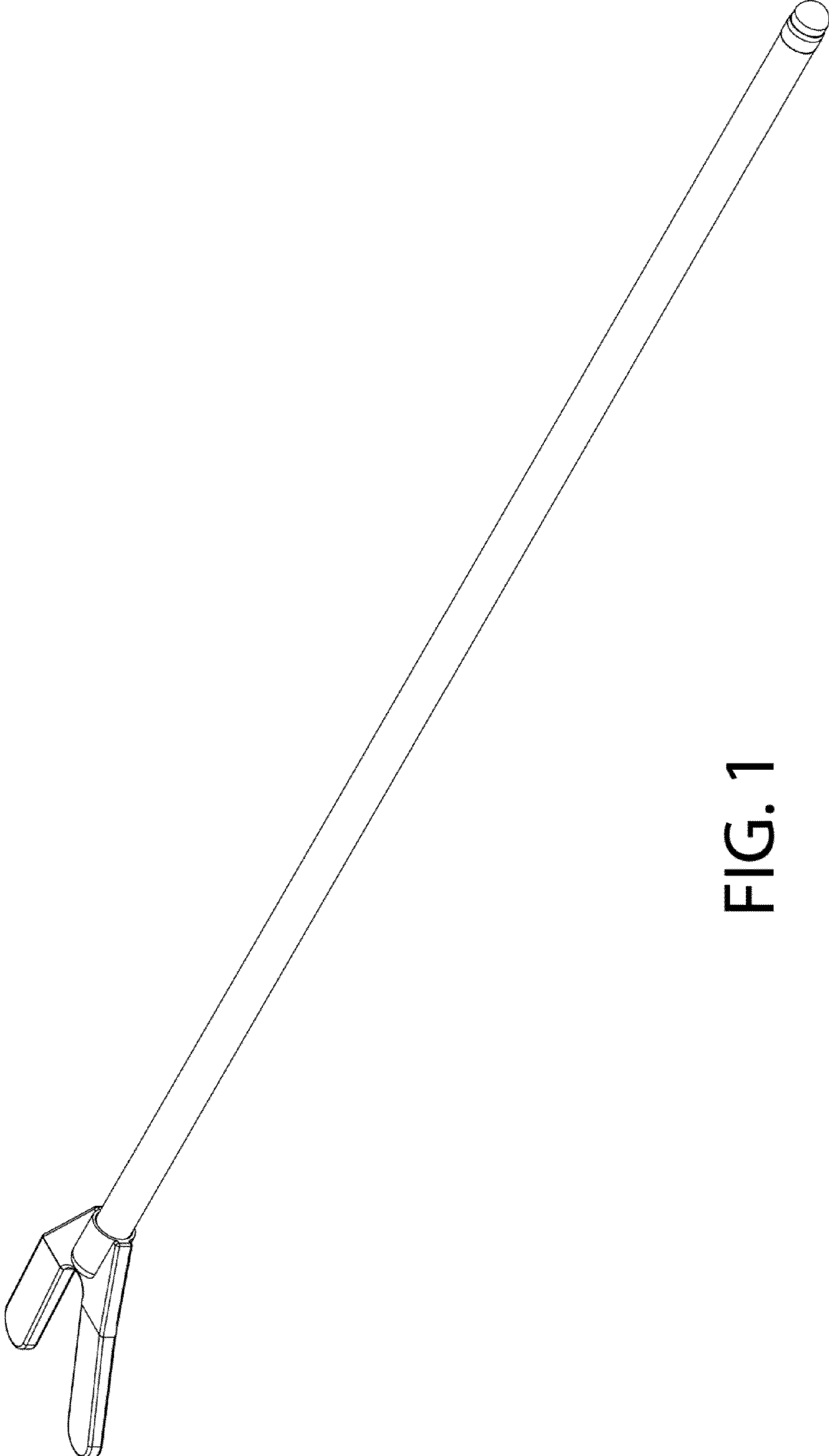


FIG. 1

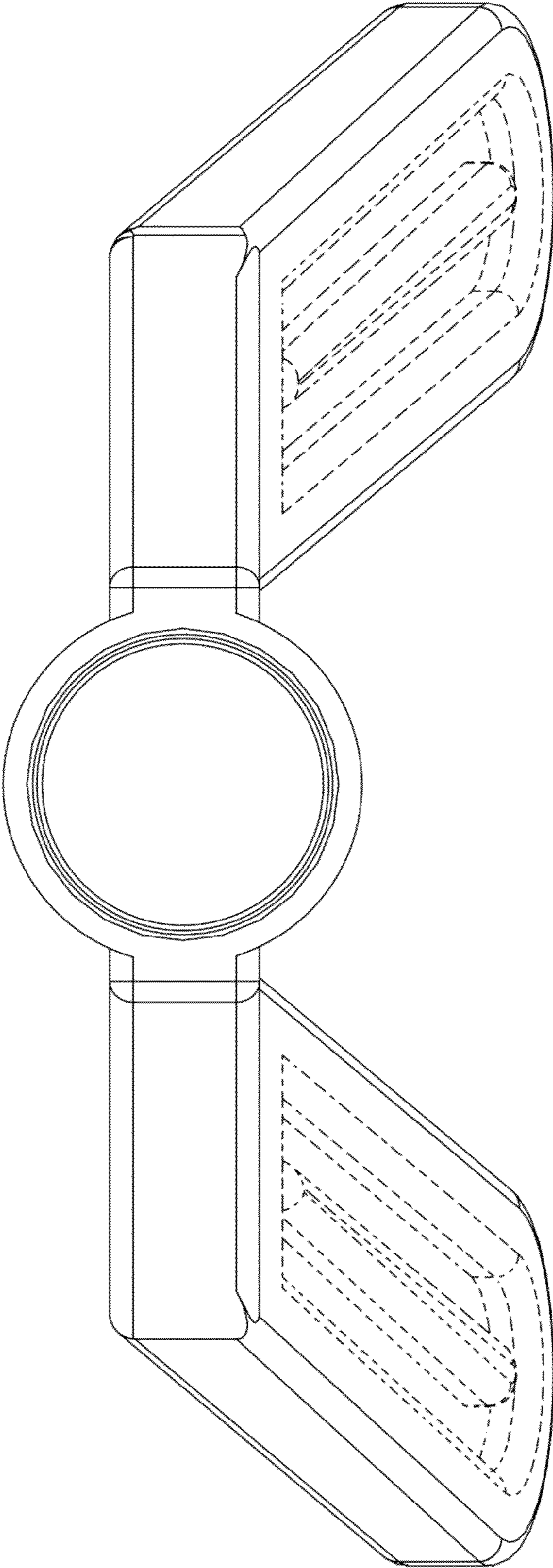


FIG. 2

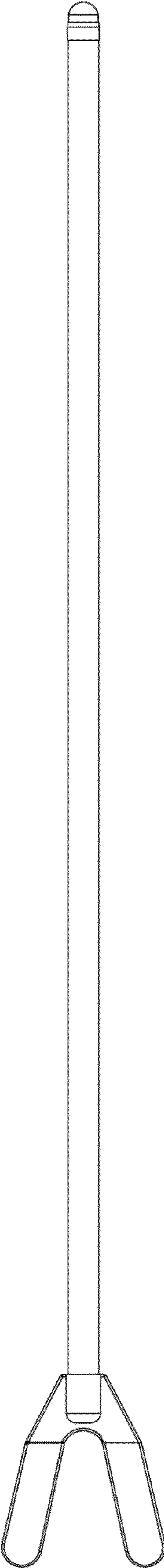


FIG. 3

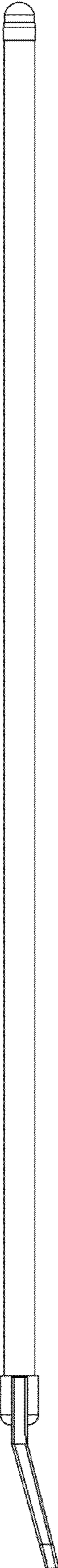


FIG. 4

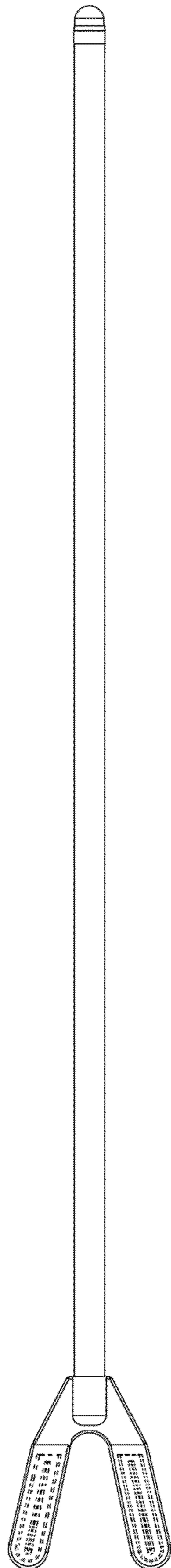


FIG. 5

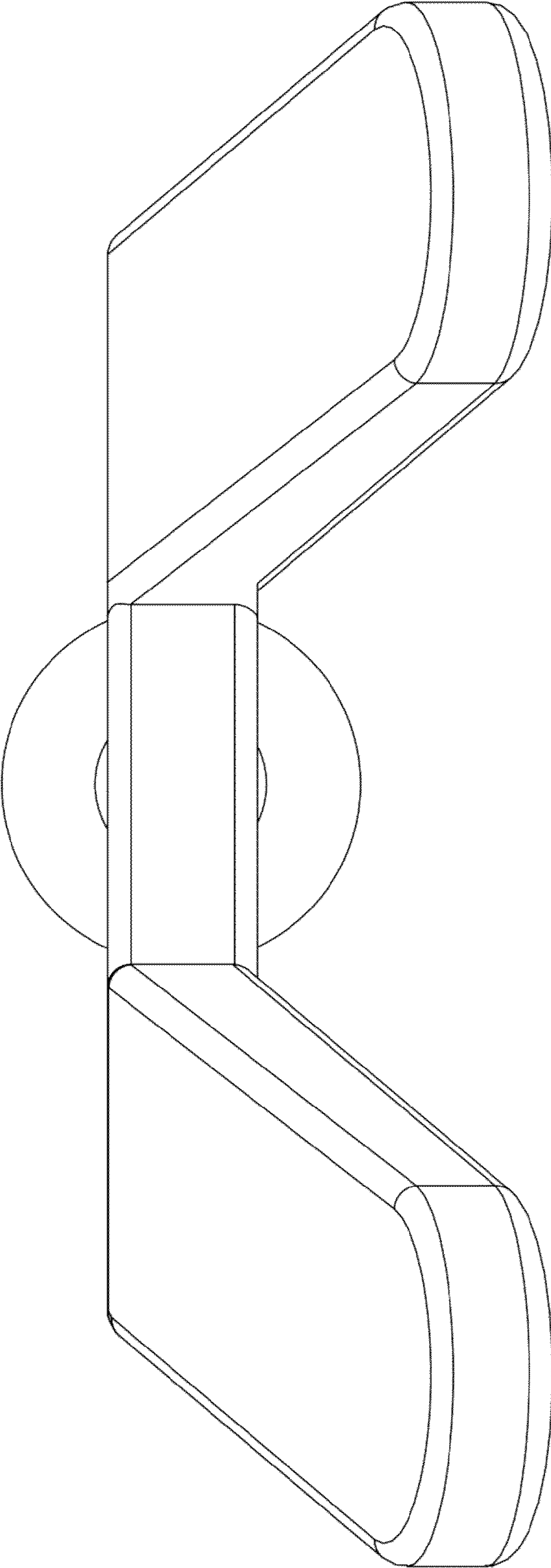


FIG. 6