



US00D662093S

(12) **United States Design Patent**
Libman et al.

(10) **Patent No.:** **US D662,093 S**
(45) **Date of Patent:** **** Jun. 19, 2012**

(54) **WALL MOUNTED TOUCH SCREEN**

(75) Inventors: **David Libman**, Dove Canyon, CA (US);
Jaysun Stockdell-Giesler, Morrisville,
NC (US); **Paul Everest**, Flower Mound,
TX (US)

(73) Assignee: **RGB Systems, Inc.**, Anaheim, CA (US)

(**) Term: **14 Years**

(21) Appl. No.: **29/385,984**

(22) Filed: **Feb. 23, 2011**

(51) **LOC (9) Cl.** **14-02**

(52) **U.S. Cl.** **D14/336**

(58) **Field of Classification Search** D14/371-376,
D14/125-129, 336, 337; D6/300, 304, 308;
345/104, 156, 173, 174, 901-905, 1.1; 348/180,
348/184, 325, 739; 361/679.08, 679.23;
349/1, 2, 11, 58; 248/122.1, 278.1, 285.1,
248/286.1; 341/12

See application file for complete search history.

(56) **References Cited**

U.S. PATENT DOCUMENTS

D520,504 S * 5/2006 Martin D14/371
D551,197 S * 9/2007 Vitito D14/129
7,300,029 B2 * 11/2007 Petrick et al. 248/285.1
7,352,418 B2 * 4/2008 Kim 349/67
D614,617 S * 4/2010 Pepper et al. D14/336

D614,871 S * 5/2010 Tang et al. D6/308
D625,929 S * 10/2010 Mitchell et al. D6/308
D626,342 S * 11/2010 Chadwick D6/308

* cited by examiner

Primary Examiner — Freda S Nunn

(74) *Attorney, Agent, or Firm* — The Hecker Law Gorup,
PLC

(57) **CLAIM**

The ornamental design for a wall mounted touch screen, as
shown and described.

DESCRIPTION

FIG. 1 is a front view of the wall mounted touch screen of the
present invention;

FIG. 2 is a right side view of the wall mounted touch screen of
FIG. 1;

FIG. 3 is a left side view of the wall mounted touch screen of
FIG. 1;

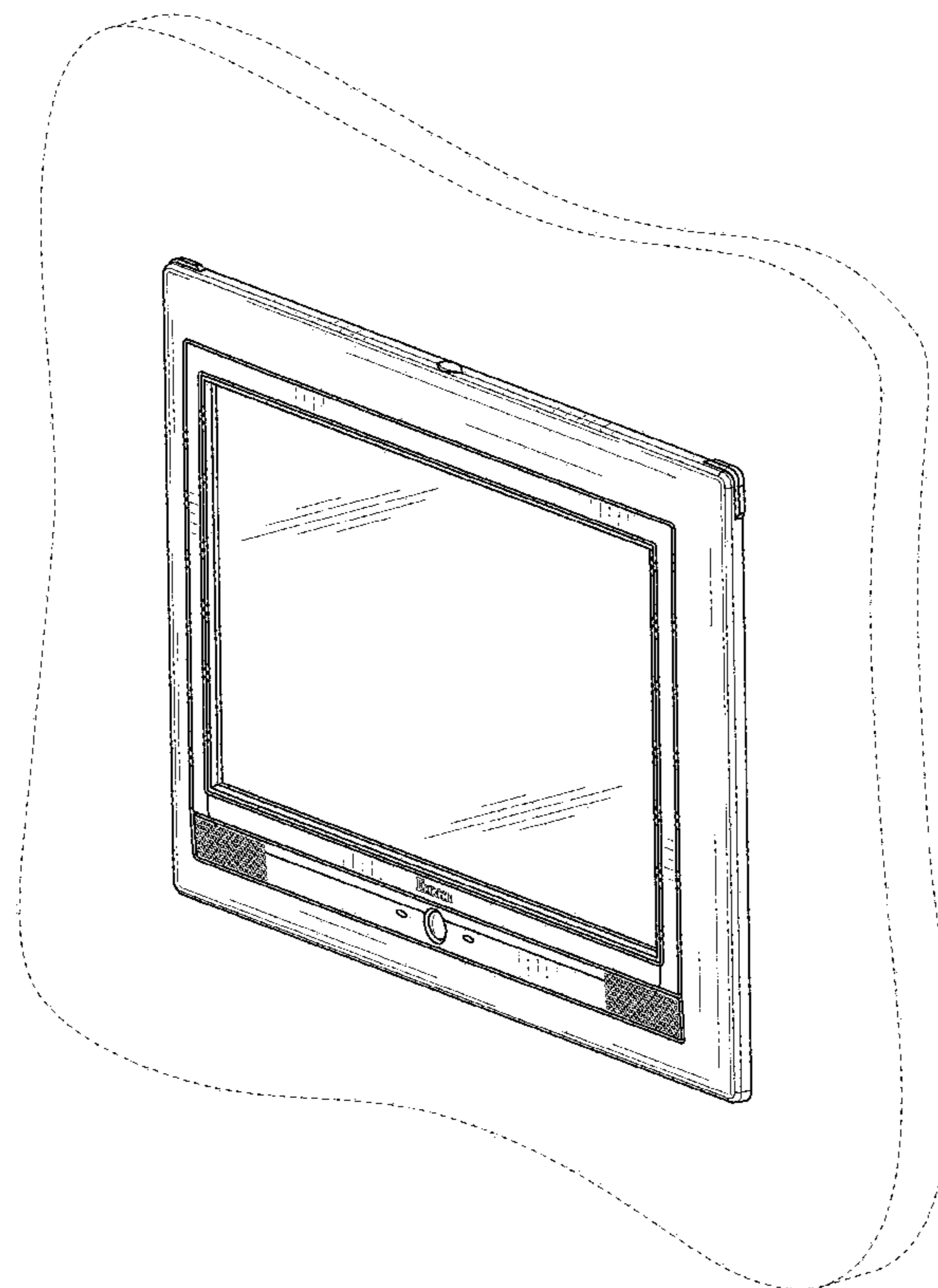
FIG. 4 is a top view of the wall mounted touch screen of FIG.
1;

FIG. 5 is a rear view of the wall mounted touch screen of FIG.
1; and,

FIG. 6 is a perspective view of the wall mounted touch screen
of FIG. 1.

The broken line showing of structural features is included for
the purpose of illustrating non-claimed subject matter and
forms no part of the claimed design.

1 Claim, 6 Drawing Sheets



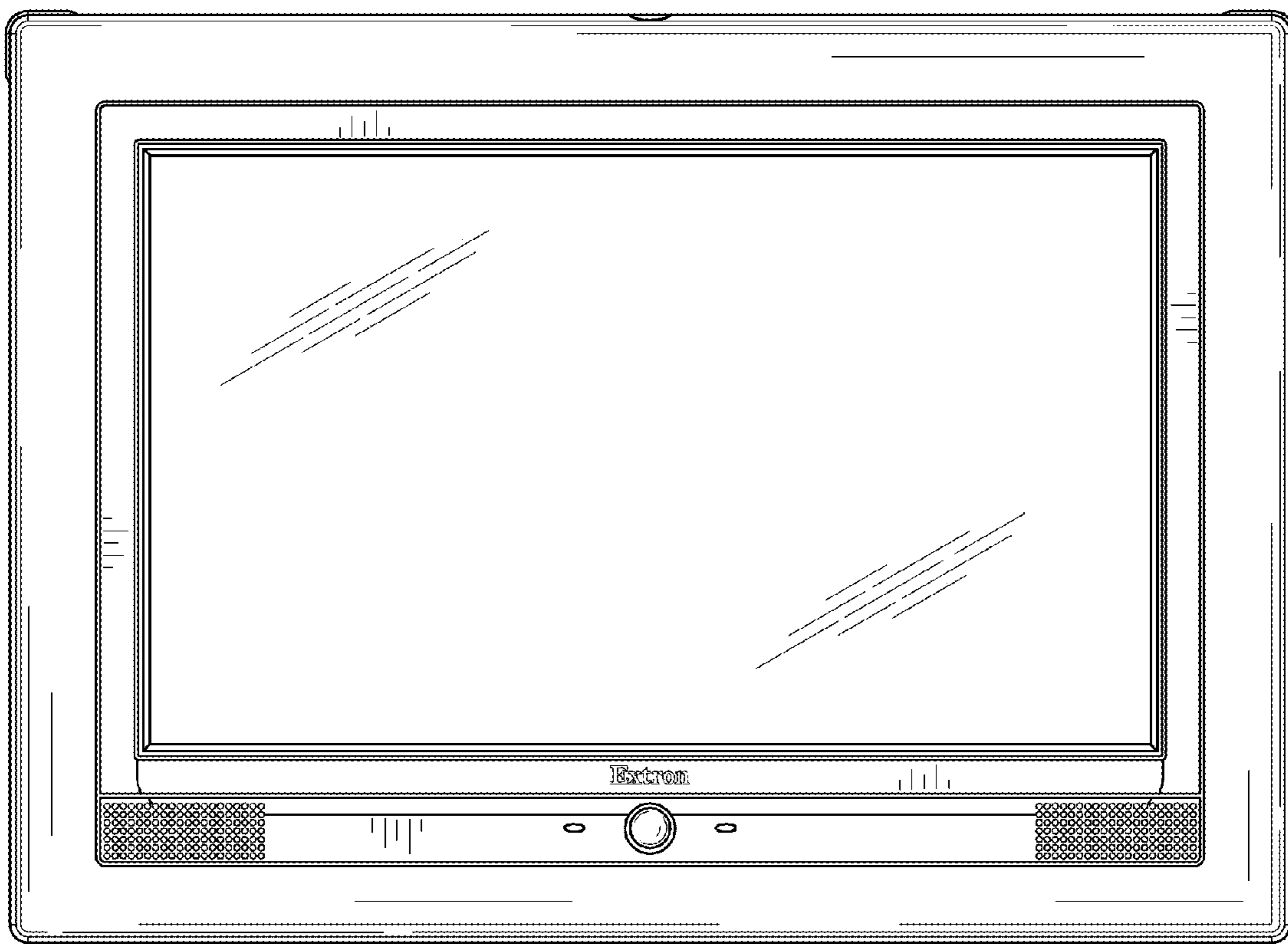


FIG. 1

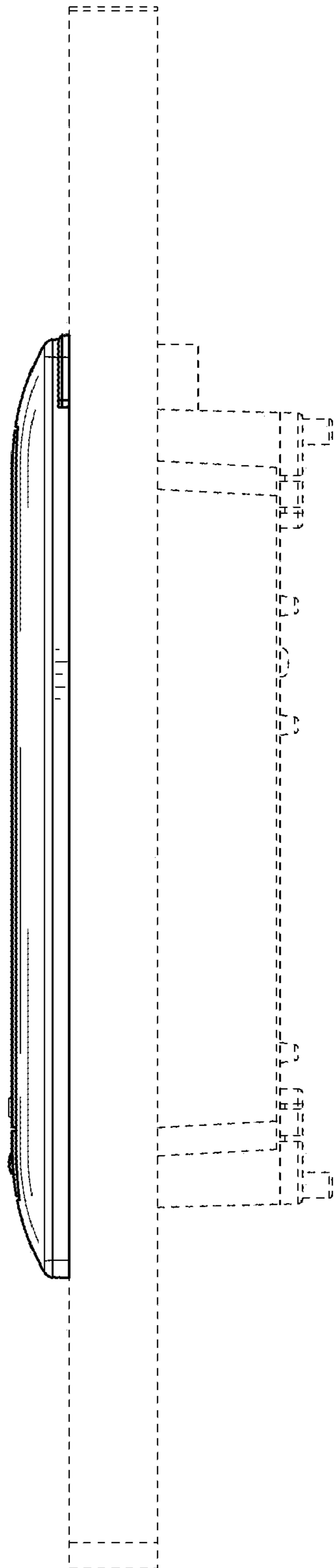


FIG. 2

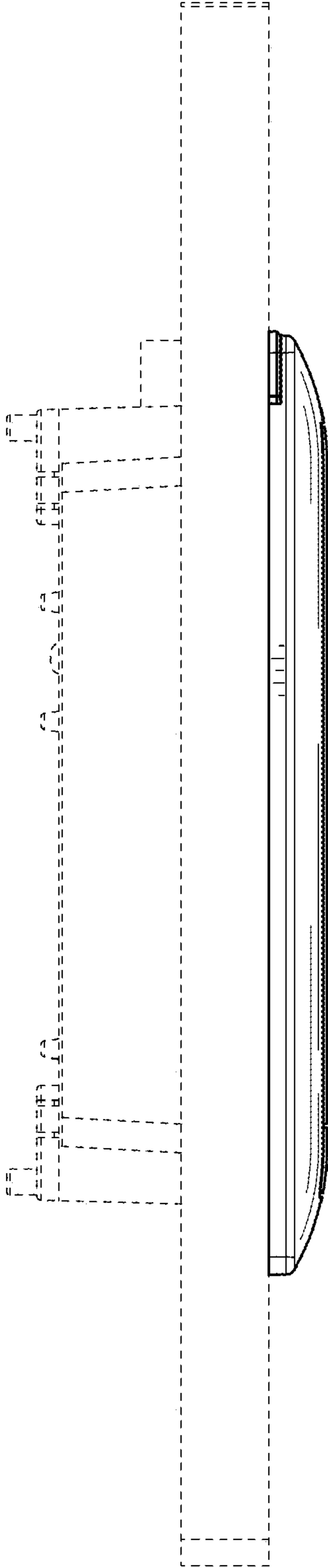


FIG. 3

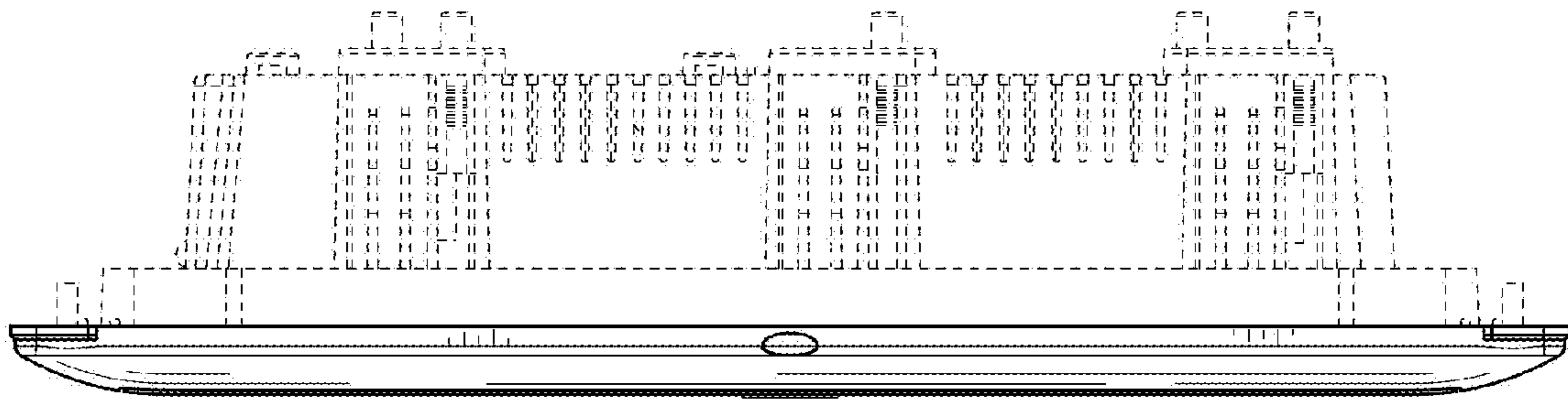


FIG. 4

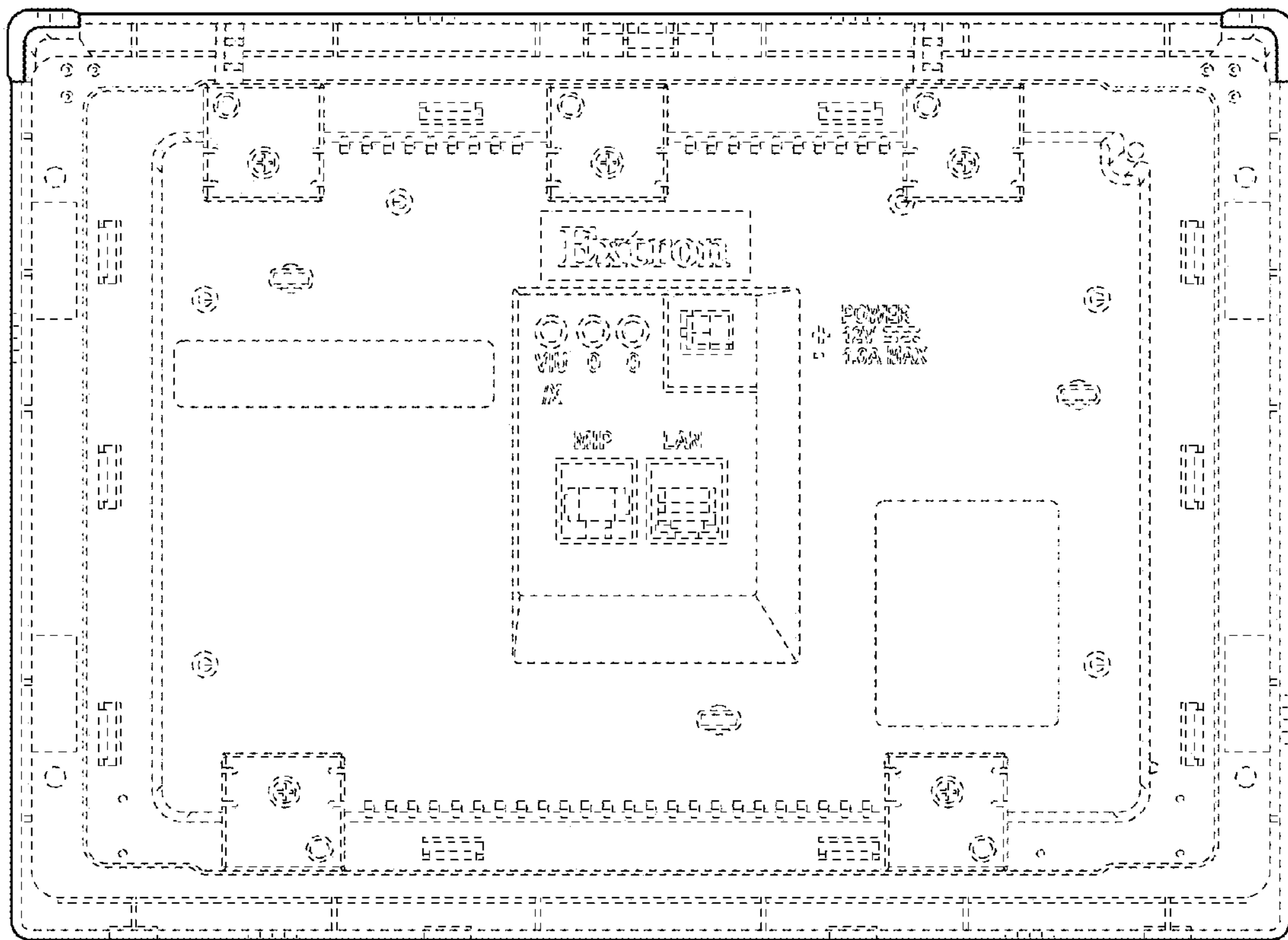


FIG. 5

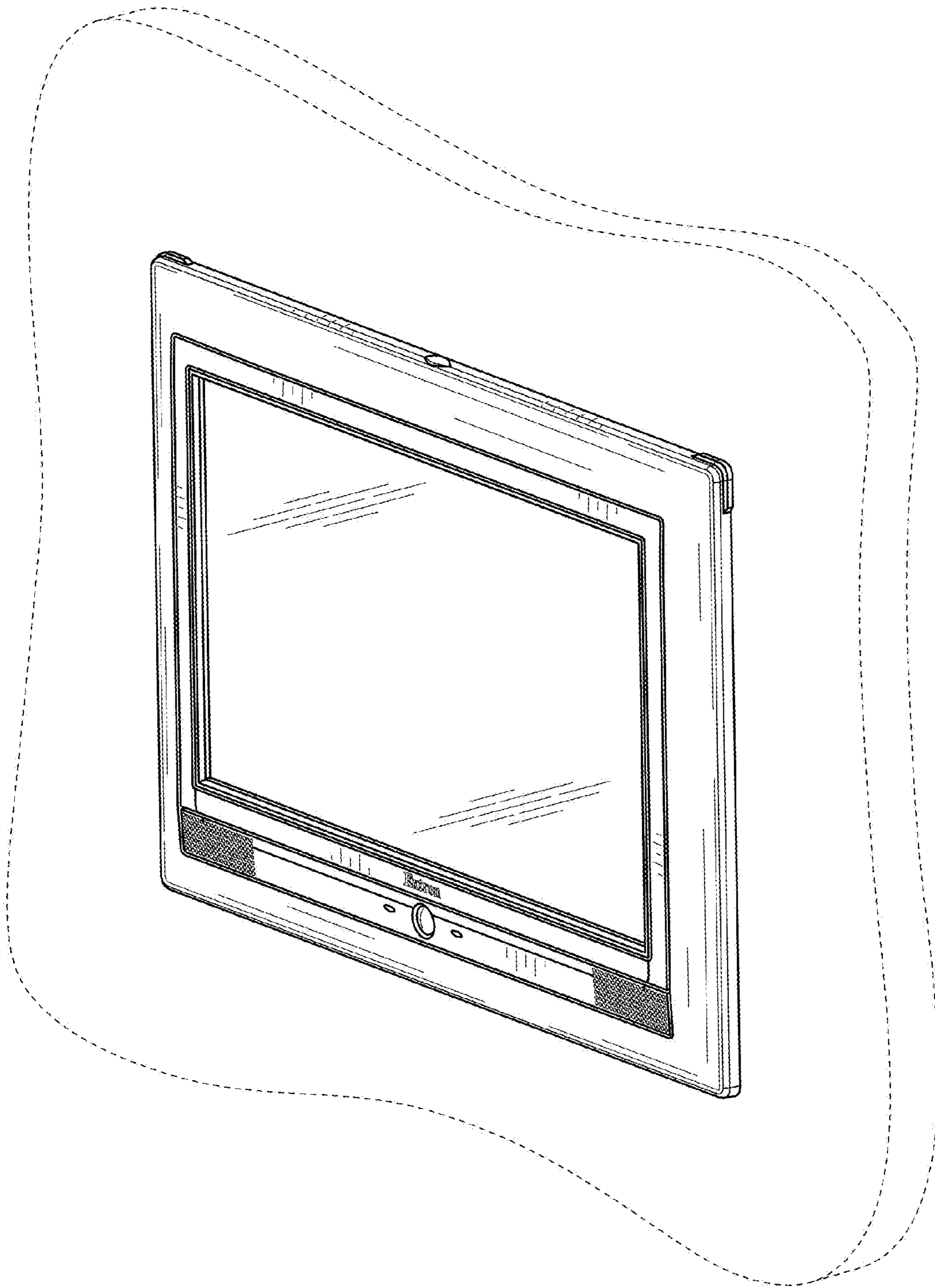


FIG. 6