



US00D662090S

(12) **United States Design Patent**  
**Richards et al.**

(10) **Patent No.:** **US D662,090 S**  
(45) **Date of Patent:** **\*\* Jun. 19, 2012**

(54) **REMOTE SPEAKER MICROPHONE ACCESSORY**

(75) Inventors: **Scott H. Richards**, Plantation, FL (US);  
**Mariah K. Levitt**, Fort Lauderdale, FL (US);  
**Michael M. Zhang**, Schaumburg, FL (US)

(73) Assignee: **Motorola Solutions, Inc.**, Schaumburg, IL (US)

(\*\*) Term: **14 Years**

(21) Appl. No.: **29/398,846**

(22) Filed: **Aug. 5, 2011**

(51) **LOC (9) Cl.** ..... **14-01**

(52) **U.S. Cl.** ..... **D14/226**

(58) **Field of Classification Search** ..... D21/513;  
D17/99; D16/208; D14/497, 249, 243, 227,  
D14/226, 225, 167, 155, 234; 446/416; 381/369,  
381/355, 92, 174; 455/575.2

See application file for complete search history.

(56) **References Cited**

U.S. PATENT DOCUMENTS

D492,665 S *	7/2004	Lee	.....	D14/218
D517,052 S *	3/2006	Skulley	.....	D14/223
D518,469 S *	4/2006	Barad	.....	D14/155
D528,097 S *	9/2006	Kim	.....	D14/138 G
D538,245 S *	3/2007	Heath	.....	D14/137
D539,252 S *	3/2007	Heath	.....	D14/137

D558,740 S *	1/2008	Jaakkola et al.	.....	D14/223
D558,761 S *	1/2008	Viduya et al.	.....	D14/356
D565,569 S *	4/2008	Viduya et al.	.....	D14/356
D567,216 S *	4/2008	Densho	.....	D14/205
D579,913 S *	11/2008	Lamason	.....	D14/159
D613,273 S *	4/2010	Liner et al.	.....	D14/223
D635,125 S *	3/2011	Nousiainen	.....	D14/223

\* cited by examiner

*Primary Examiner* — Austin Murphy

(74) *Attorney, Agent, or Firm* — Barbara R. Doutre

(57) **CLAIM**

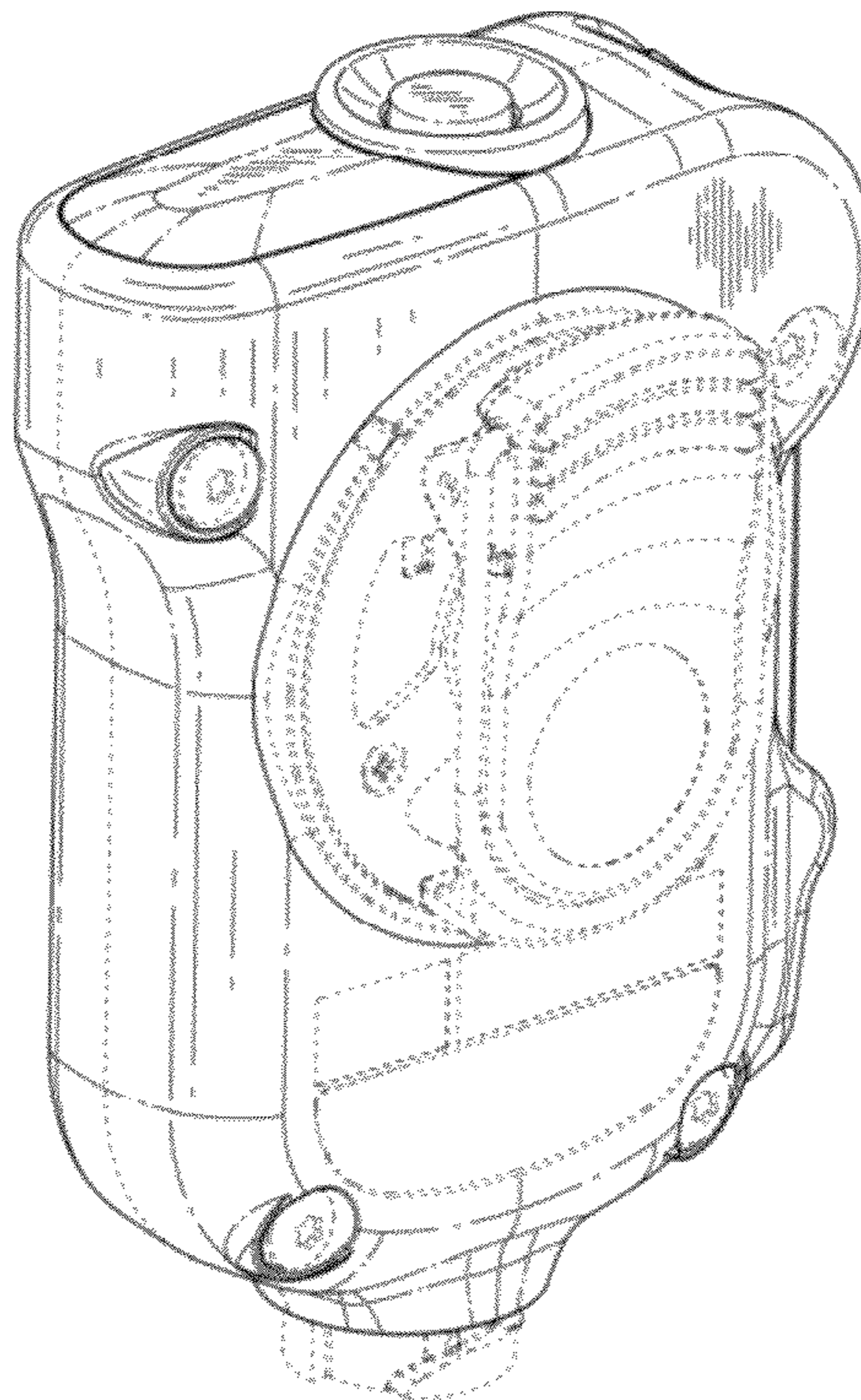
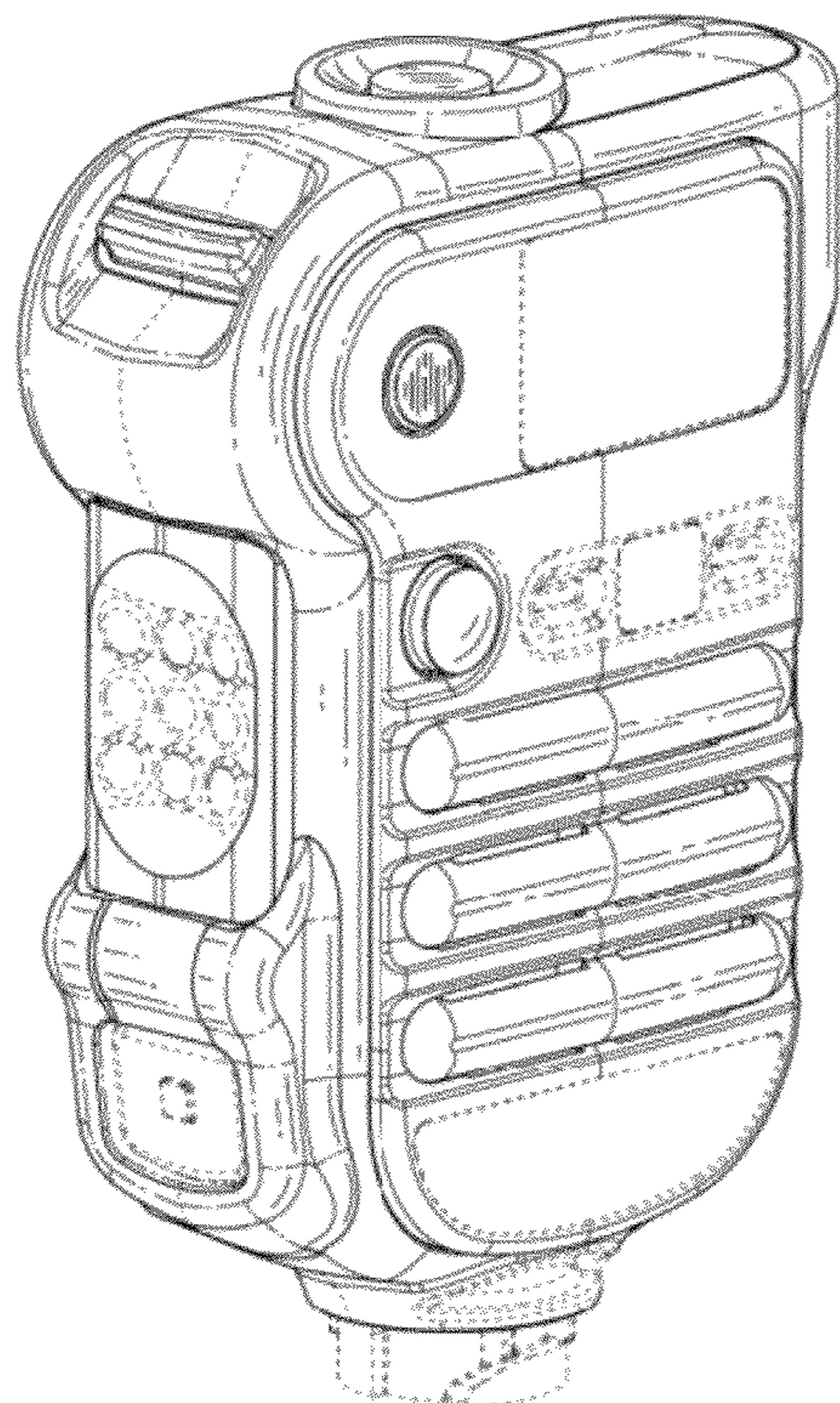
The ornamental design for a remote speaker microphone accessory, as shown and described.

**DESCRIPTION**

FIG. 1 is a front perspective view for the remote speaker microphone accessory;  
FIG. 2 is a rear perspective view thereof;  
FIG. 3 is a front view thereof;  
FIG. 4 is a rear view thereof;  
FIG. 5 is a first side view thereof;  
FIG. 6 is a second side view thereof;  
FIG. 7 is a top view; and,  
FIG. 8 is a bottom view thereof.

The broken lines shown in FIGS. 1-8, that are immediately adjacent to the shaded areas, and define unshaded regions, represent the bounds of the first embodiment, while all other broken lines are directed to environment and are for illustrative purposes only; the broken lines form no part of the first embodiment.

**1 Claim, 5 Drawing Sheets**



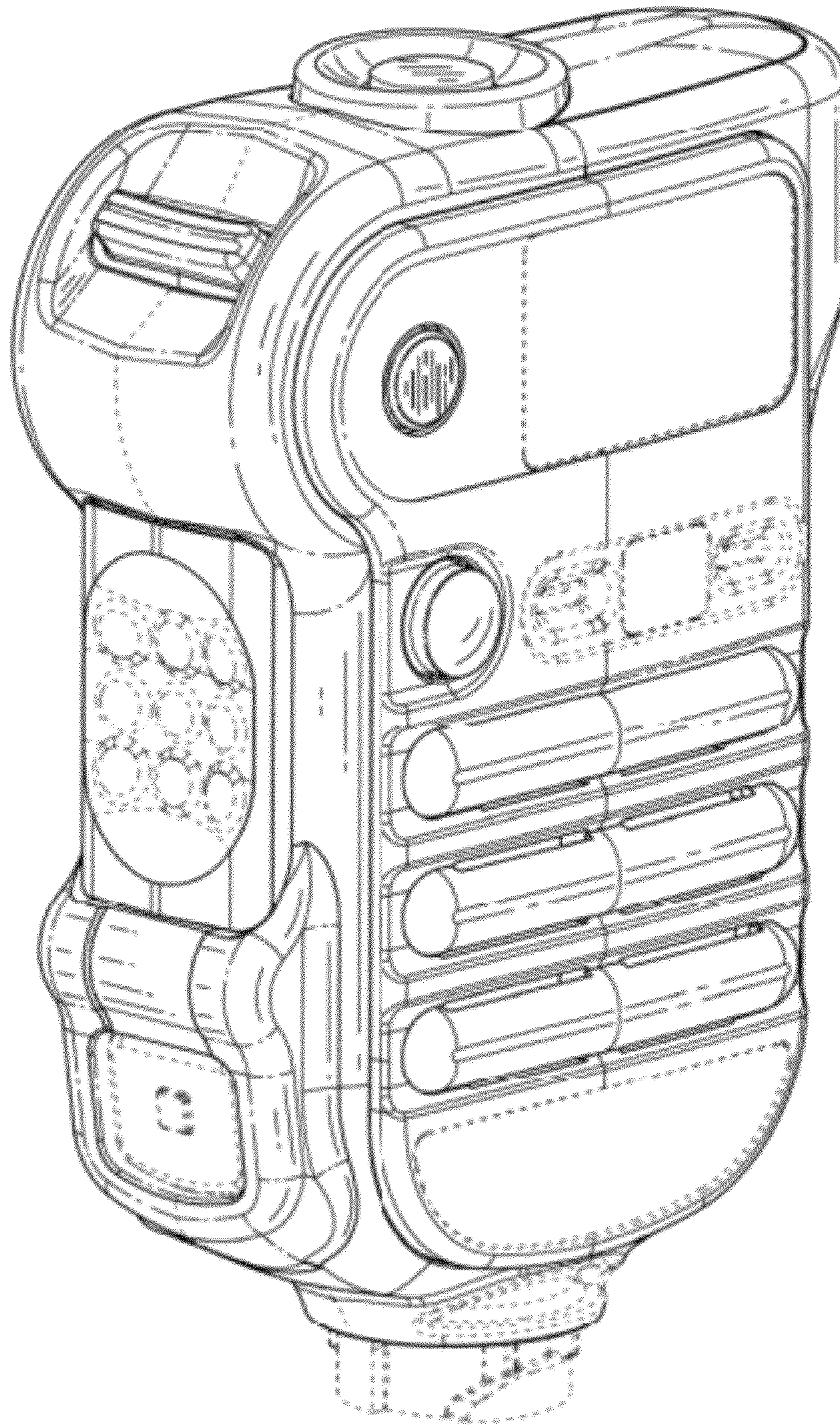


FIG. 1

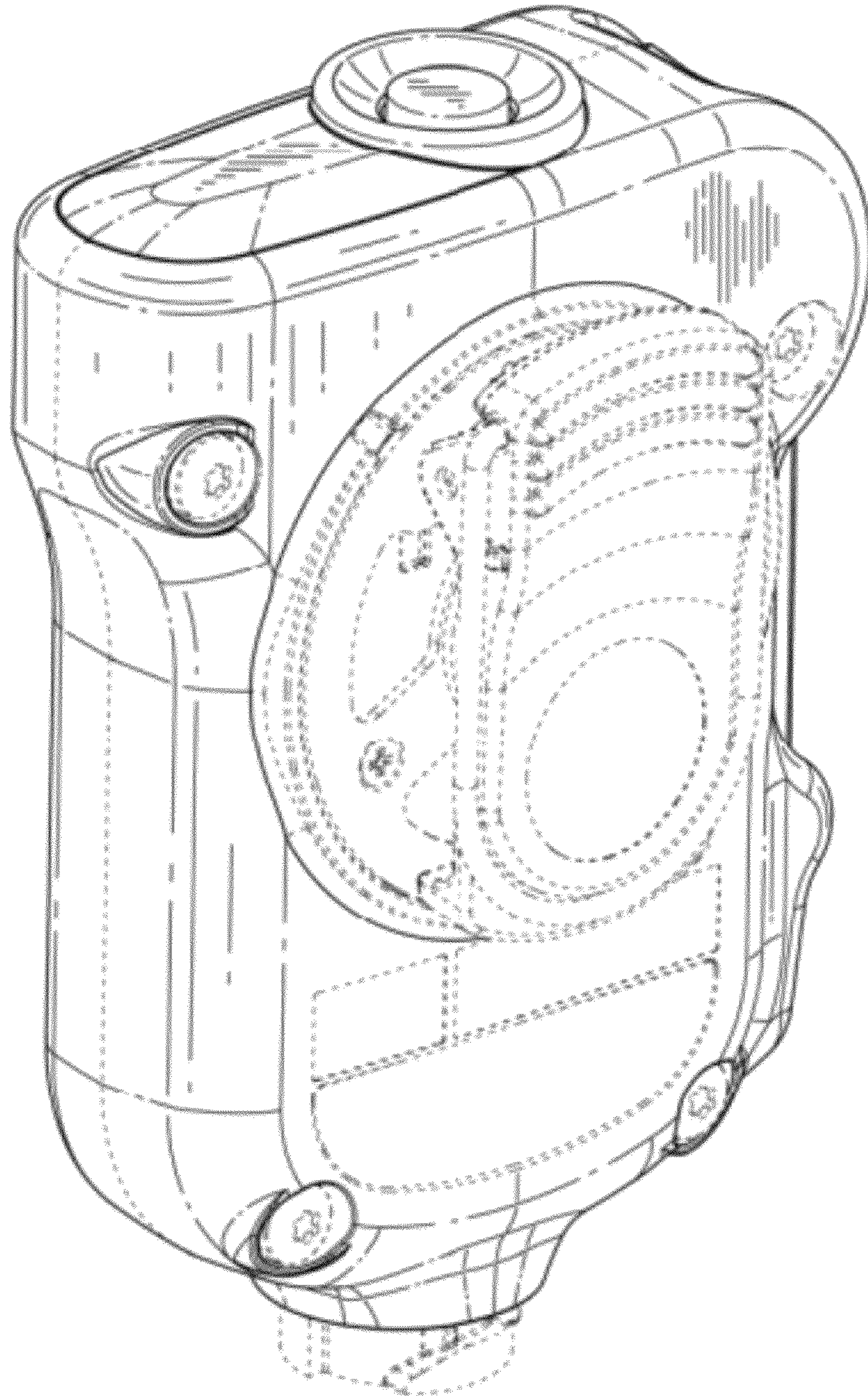


FIG. 2

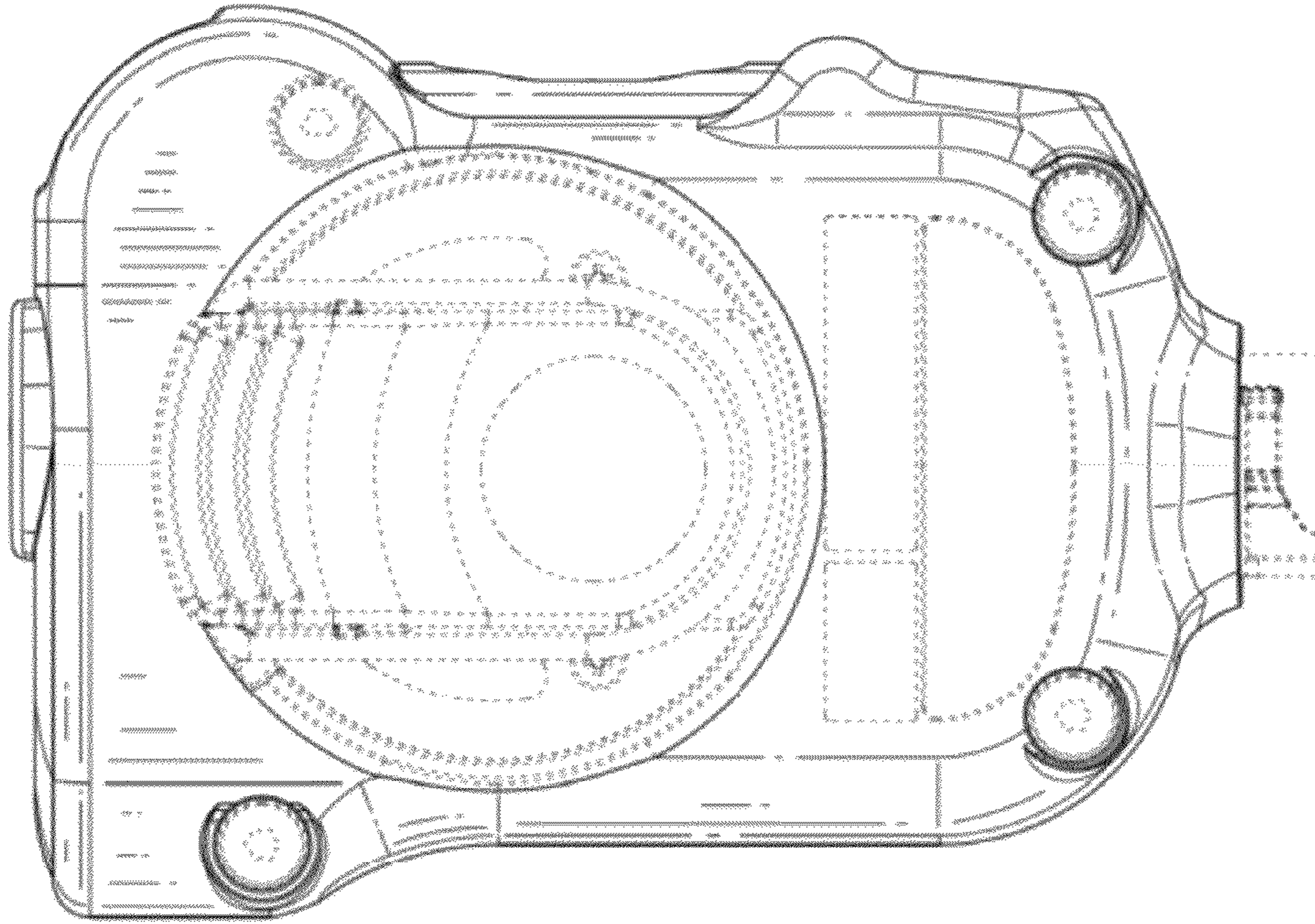


FIG. 4

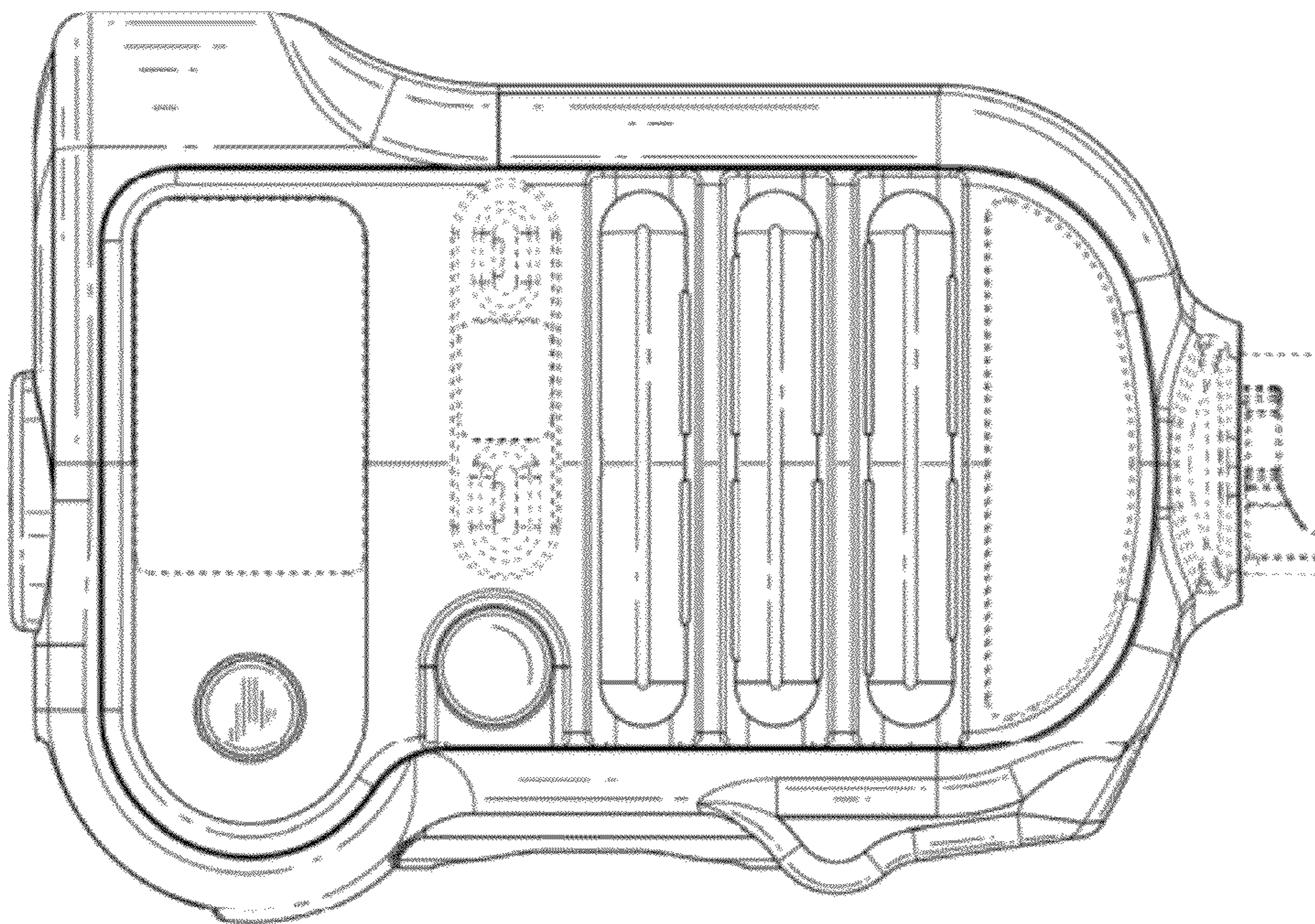


FIG. 3

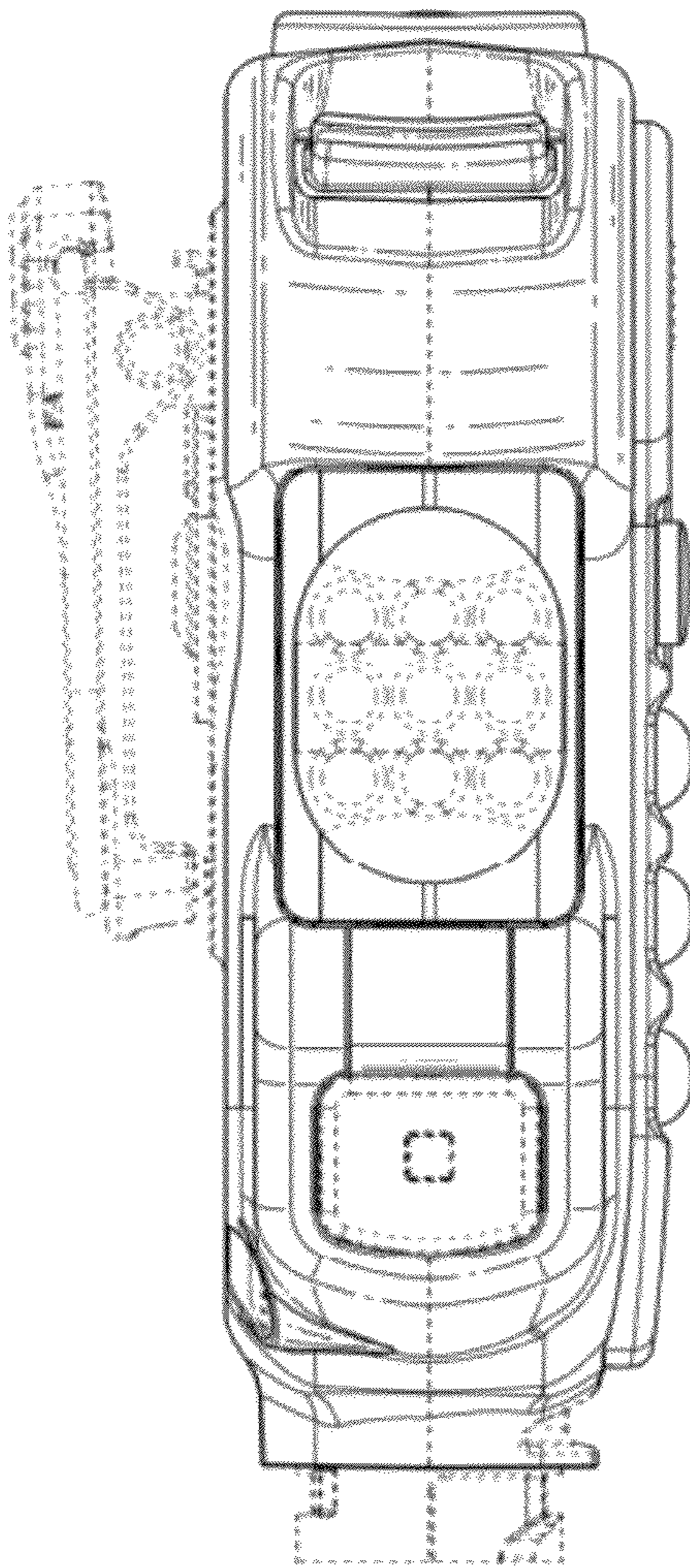


FIG. 5

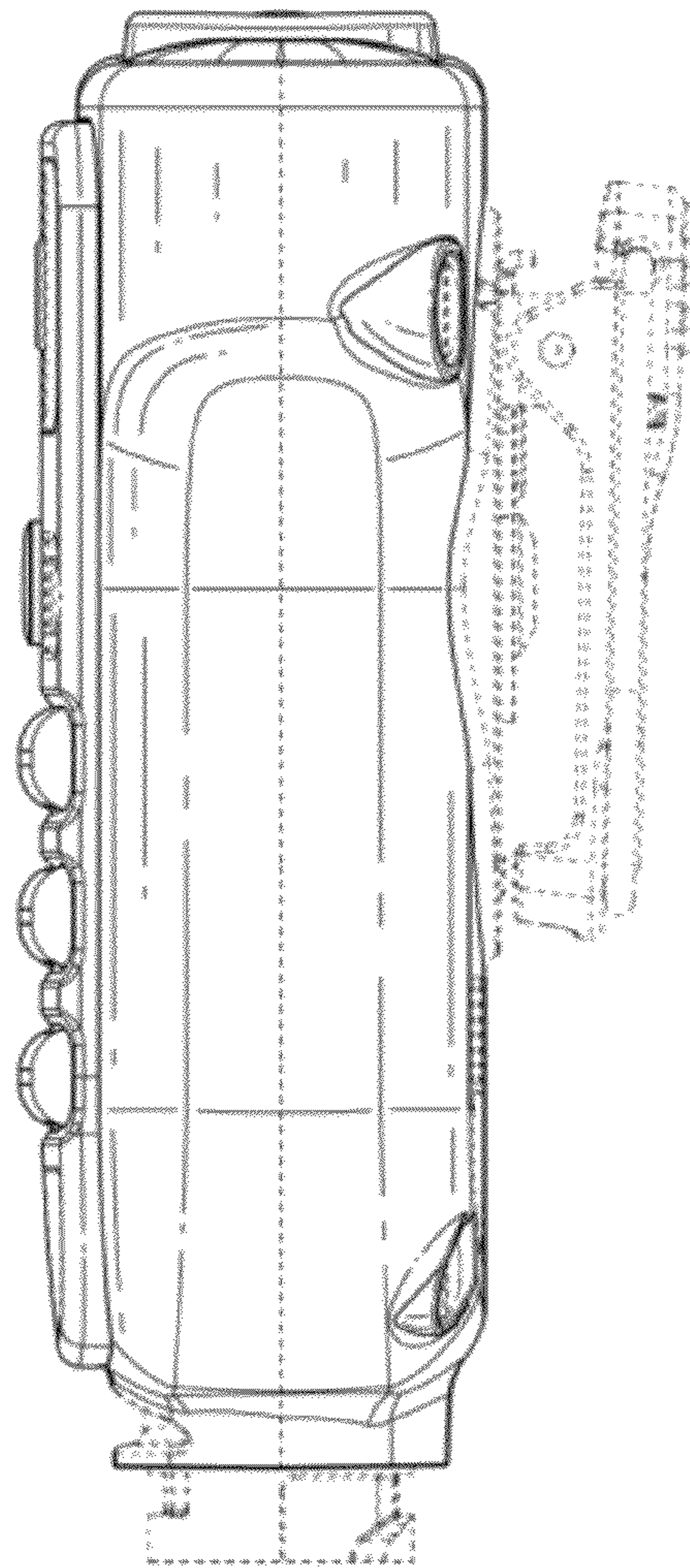


FIG. 6

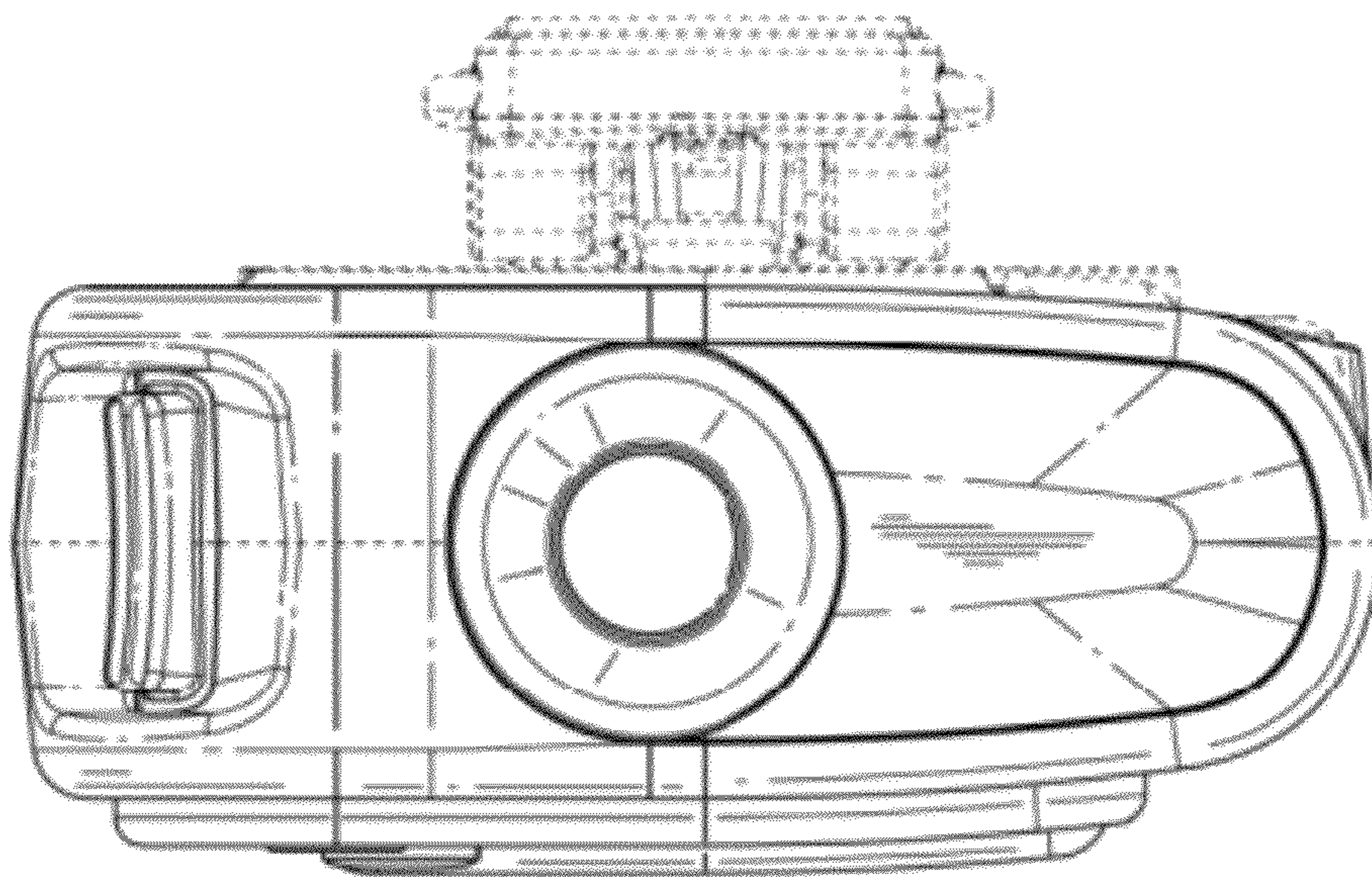


FIG. 7

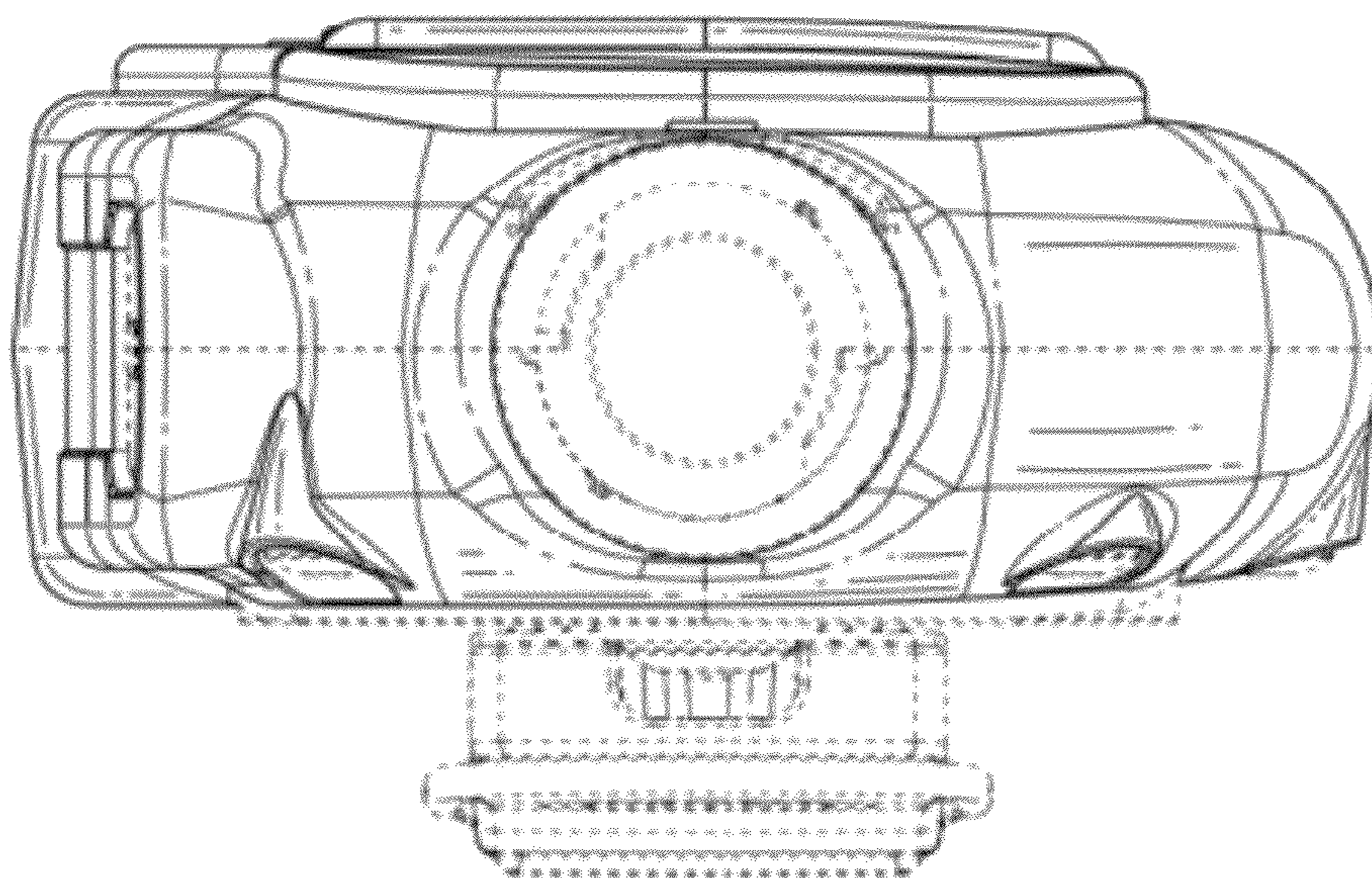


FIG. 8