



US00D662089S

(12) **United States Design Patent**
Gougherty et al.

(10) **Patent No.:** **US D662,089 S**
(45) **Date of Patent:** **** Jun. 19, 2012**

- (54) **BASE CRADLE FOR A COMMUNICATIONS HEADSET**
- (75) Inventors: **Stefan Gougherty**, Santa Cruz, CA (US); **Manoj Mistry**, Santa Cruz, CA (US); **Casey Peterson**, Scotts Valley, CA (US); **John Kelley**, Santa Cruz, CA (US)
- (73) Assignee: **Plantronics, Inc.**, Santa Cruz, CA (US)
- (**) Term: **14 Years**
- (21) Appl. No.: **29/401,818**
- (22) Filed: **Sep. 15, 2011**
- (51) **LOC (9) Cl.** **14-01**
- (52) **U.S. Cl.** **D14/224**
- (58) **Field of Classification Search** D14/205, D14/206, 223, 224, 224.1, 434, 217, 149, D14/447, 253, 155; 379/430, 431; 381/380, 381/381; 455/90.3; 320/115; 439/534
See application file for complete search history.

(56) **References Cited**

U.S. PATENT DOCUMENTS

D277,602 S *	2/1985	Benson et al.	D24/111
D344,708 S *	3/1994	Ho	D13/108
D388,434 S *	12/1997	Lepack	D14/149
6,193,546 B1 *	2/2001	Sadler	439/534
D442,141 S *	5/2001	Ikenaga	D13/107
D454,131 S *	3/2002	Lord	D14/434
D455,087 S *	4/2002	Bayer et al.	D10/72
D468,685 S *	1/2003	Jacobs et al.	D13/107
D474,737 S *	5/2003	Yoshida	D13/108
D482,674 S *	11/2003	Rath et al.	D14/206
D483,016 S *	12/2003	Ma et al.	D13/108
D486,492 S *	2/2004	Sheu et al.	D14/434
D489,323 S *	5/2004	Yoshida	D13/108
D489,325 S *	5/2004	Nakamura	D13/110
D501,191 S *	1/2005	Siebke	D14/149
D509,789 S *	9/2005	Motoishi	D13/108
D518,034 S *	3/2006	Lee	D14/224
D519,975 S *	5/2006	Skulley et al.	D14/149
D520,013 S *	5/2006	Yang	D14/434
D523,847 S *	6/2006	Naruki	D14/224.1
D535,615 S *	1/2007	Iwai	D13/108

D549,646 S *	8/2007	Sade et al.	D13/108
D551,658 S *	9/2007	Hussaini et al.	D14/217
D553,106 S *	10/2007	Griffin	D14/434
D554,115 S *	10/2007	Liu et al.	D14/253
D554,116 S *	10/2007	Liu et al.	D14/253
D557,693 S *	12/2007	Kim et al.	D14/251
D558,739 S *	1/2008	Andre et al.	D14/217
D564,501 S *	3/2008	Rath	D14/224
D564,959 S *	3/2008	Heine et al.	D13/107
D584,731 S *	1/2009	Montgomery et al.	D14/434
D593,998 S *	6/2009	Bentley et al.	D14/224
D597,939 S *	8/2009	Tkachuk	D13/108
D599,331 S *	9/2009	Bentley et al.	D14/224
D602,008 S *	10/2009	Bentley et al.	D14/224
D602,917 S *	10/2009	Bentley	D14/224
D609,707 S *	2/2010	Lee	D14/434
D639,810 S *	6/2011	Hwang et al.	D14/434
D643,430 S *	8/2011	Nuovo et al.	D14/434
D645,027 S *	9/2011	Gougherty et al.	D14/224
D653,649 S *	2/2012	Yang et al.	D14/206

OTHER PUBLICATIONS

U.S. Appl. No. 29/379,753.

* cited by examiner

Primary Examiner — Paula Greene

(74) *Attorney, Agent, or Firm* — Michael D. Rodriguez

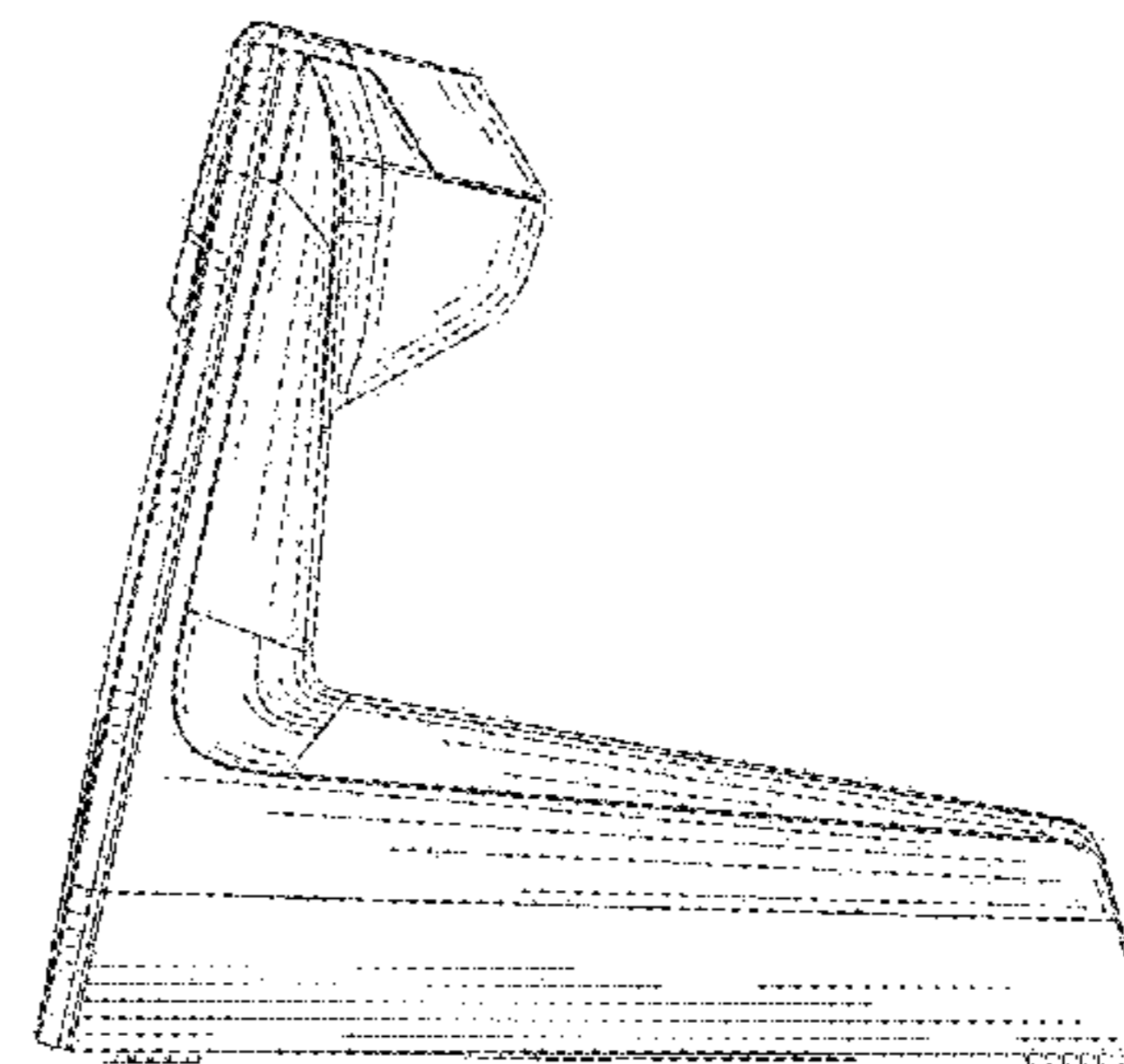
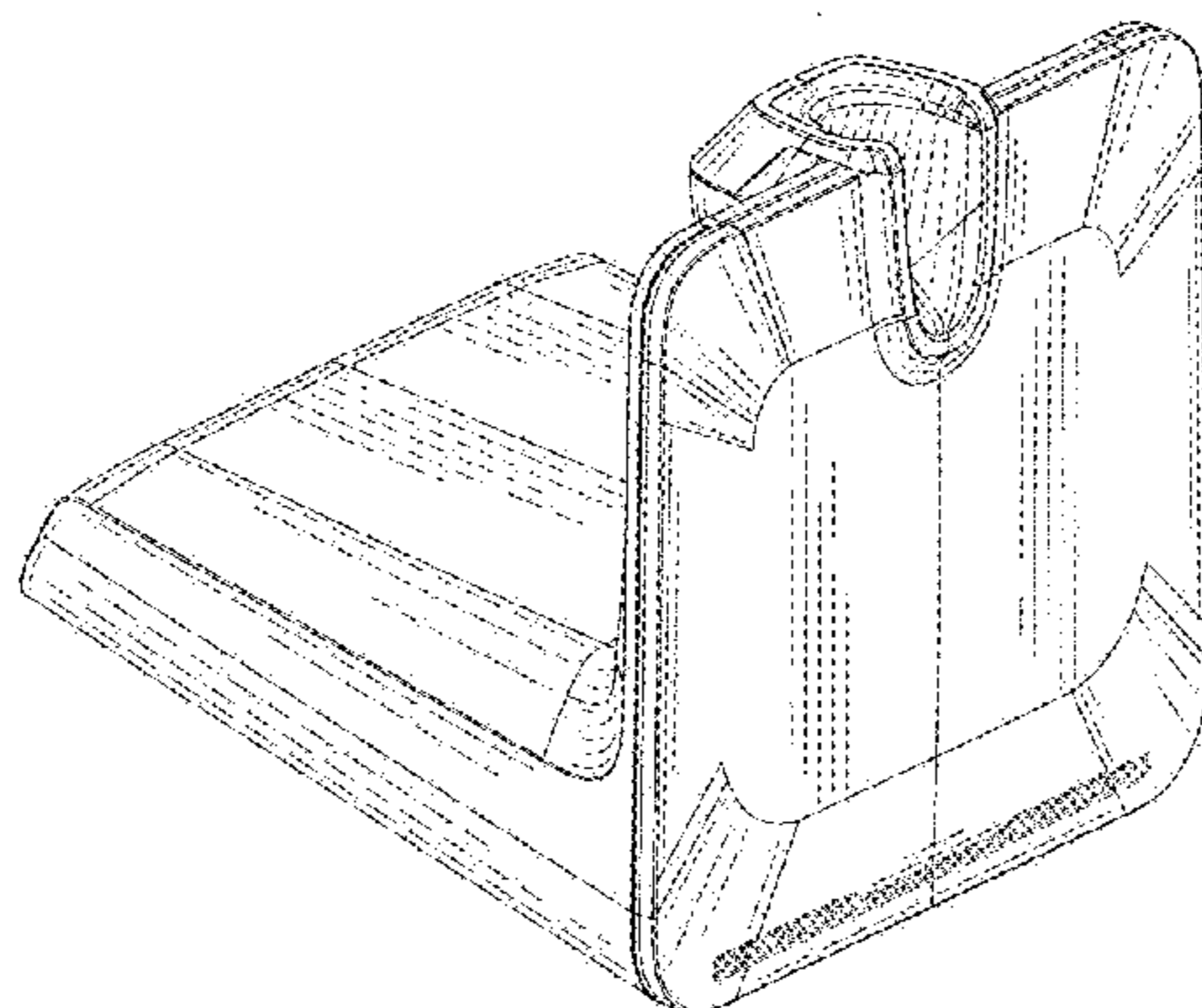
(57) **CLAIM**

The ornamental design for a base cradle for a communications headset, as shown and described.

DESCRIPTION

FIG. 1 is front-right perspective view of a base cradle for a communications headset showing our new design;
 FIG. 2 is a front view thereof;
 FIG. 3 is a back view thereof;
 FIG. 4 is a right side view thereof;
 FIG. 5 is a left side view thereof;
 FIG. 6 is a top view thereof; and,
 FIG. 7 is a bottom view thereof.
 The broken line showing of the unclaimed environment forms no part of the claimed design.

1 Claim, 4 Drawing Sheets



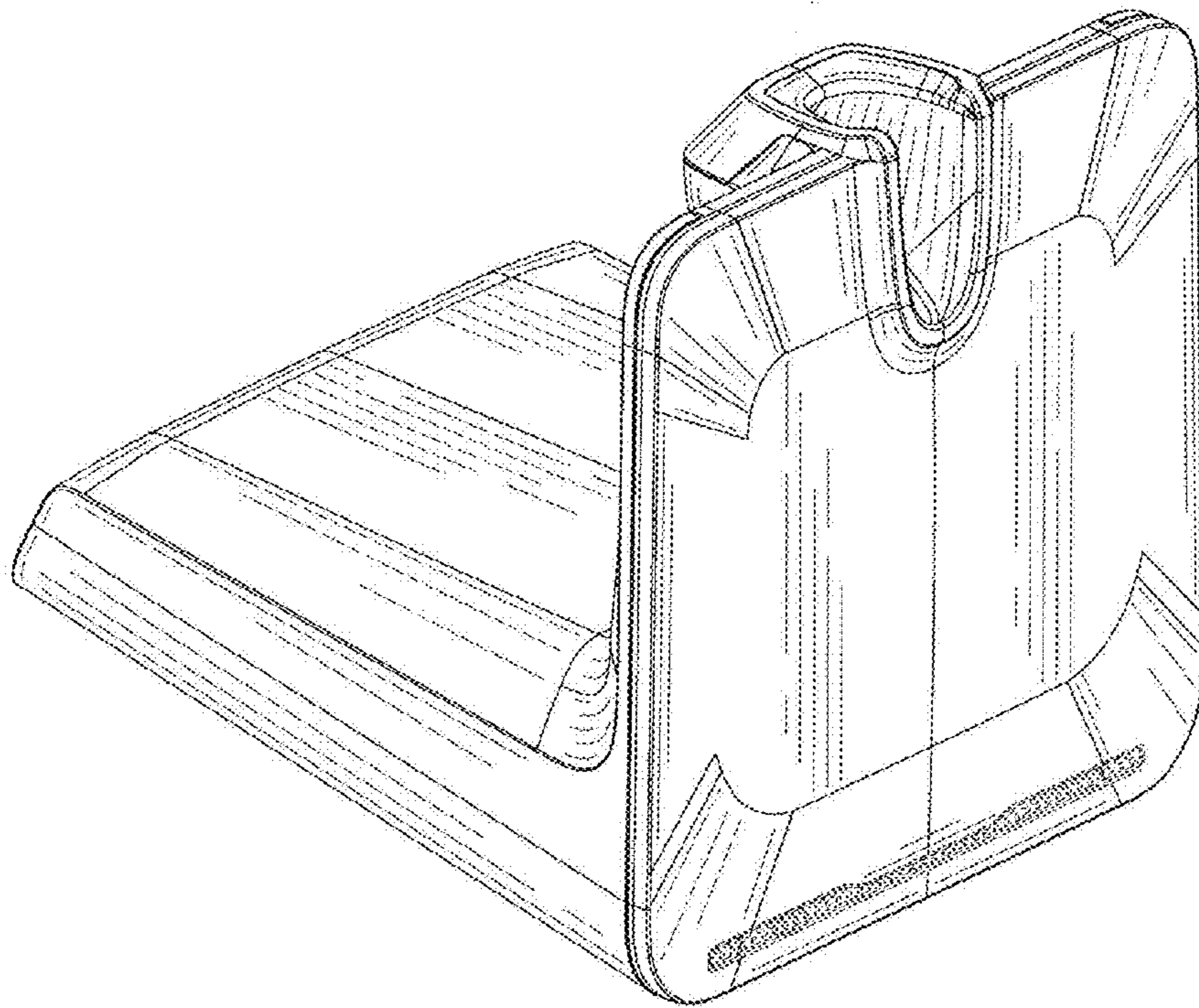


FIG. 1

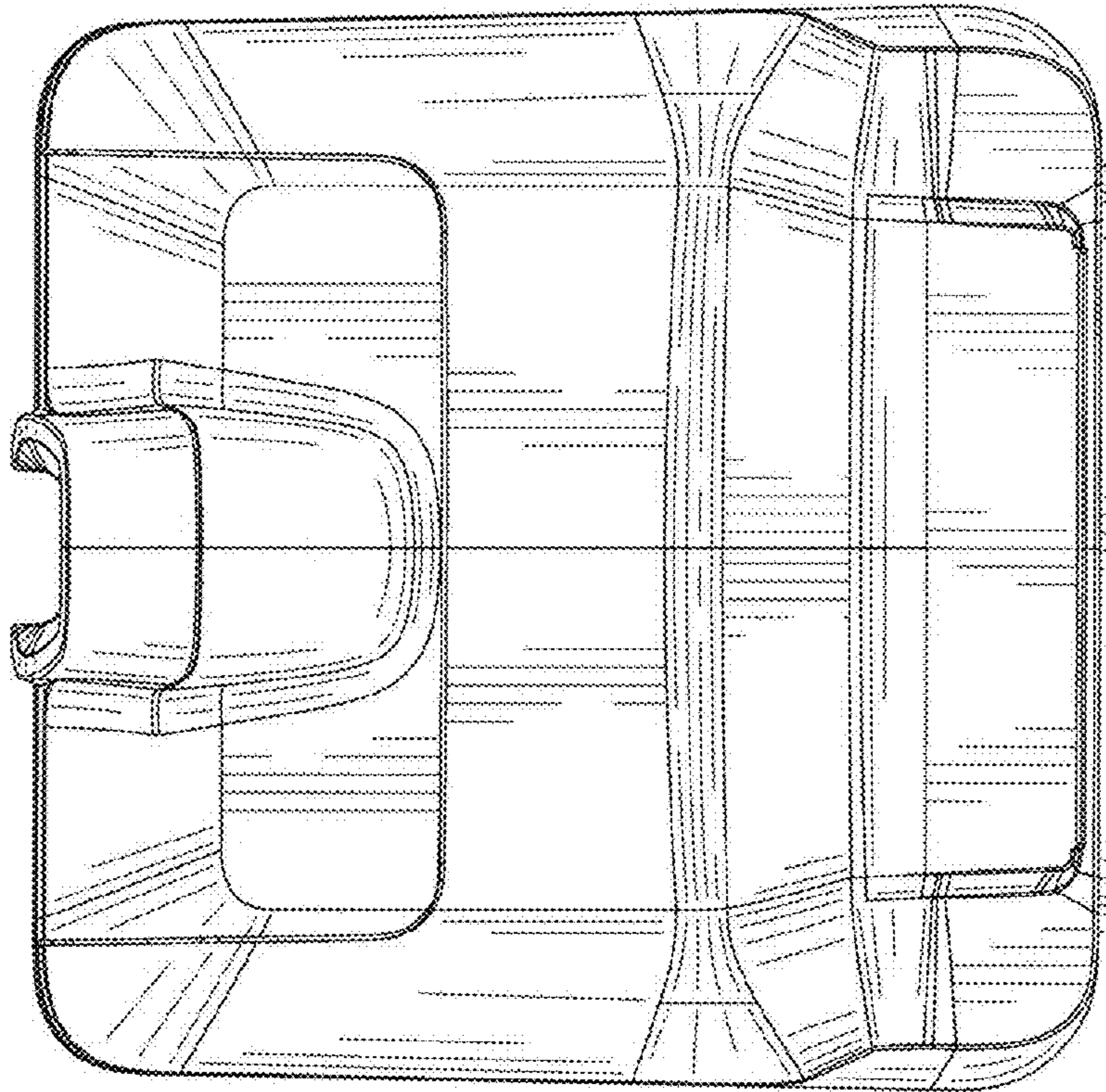


FIG. 3

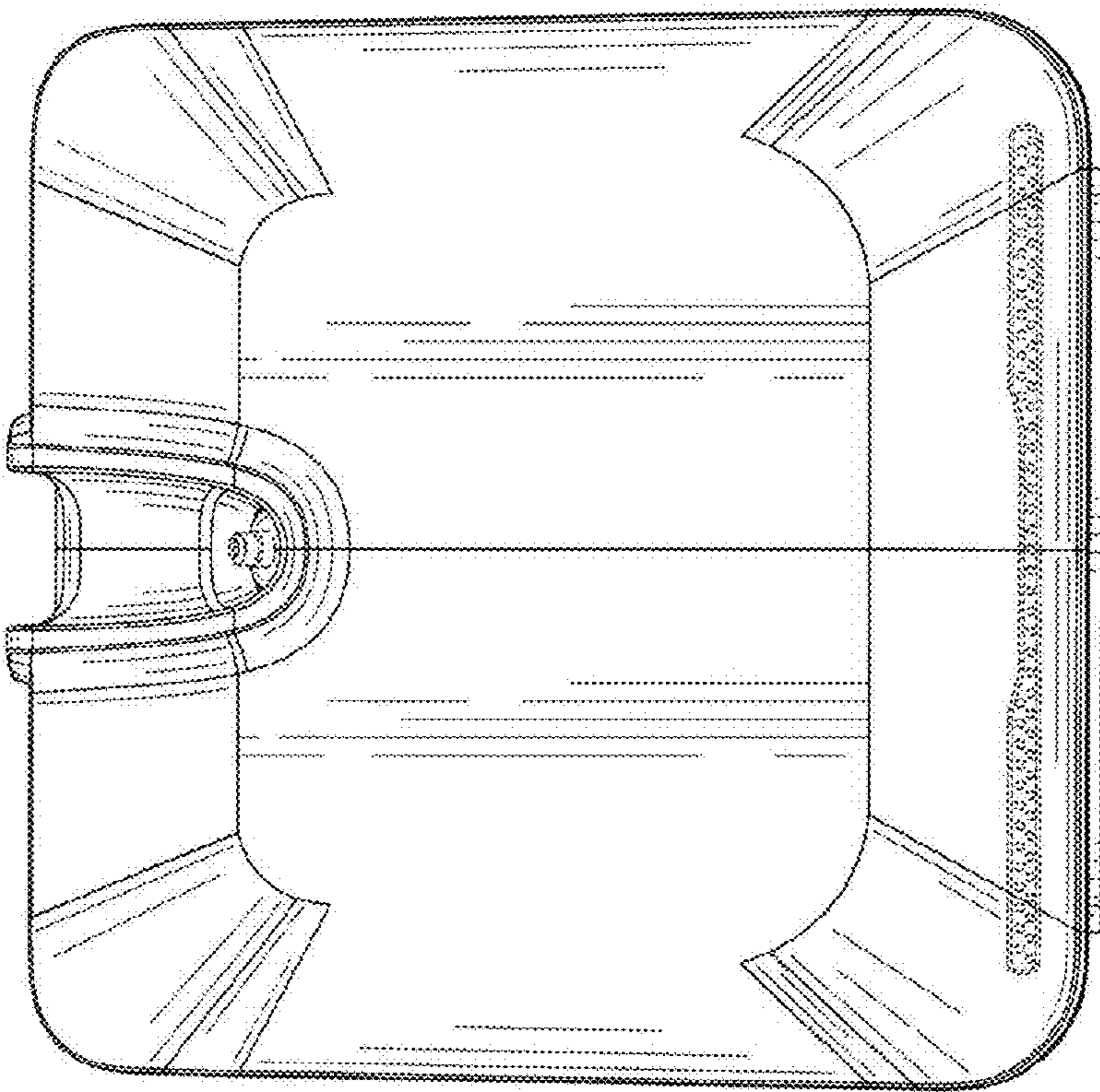


FIG. 2

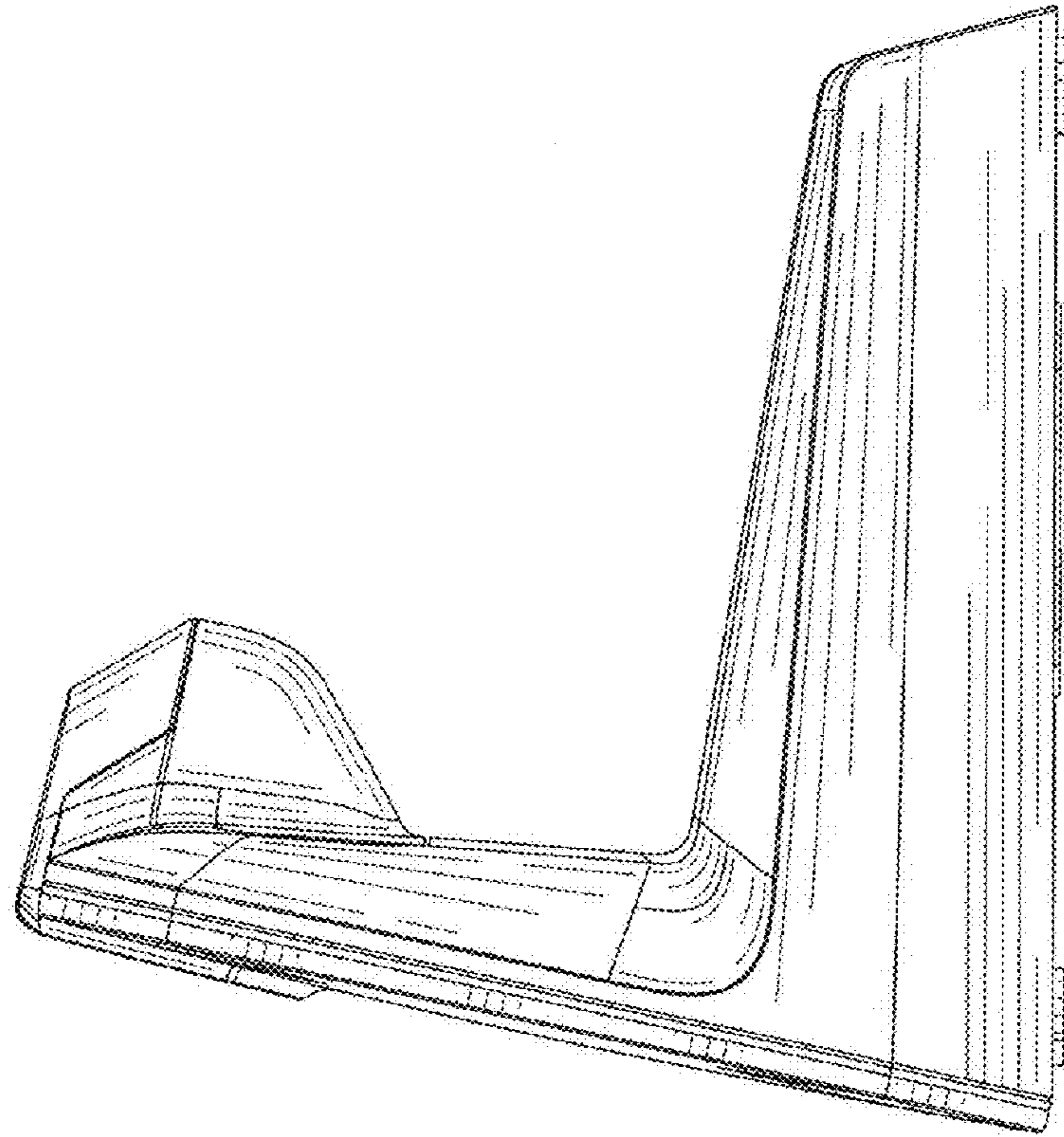


FIG. 5

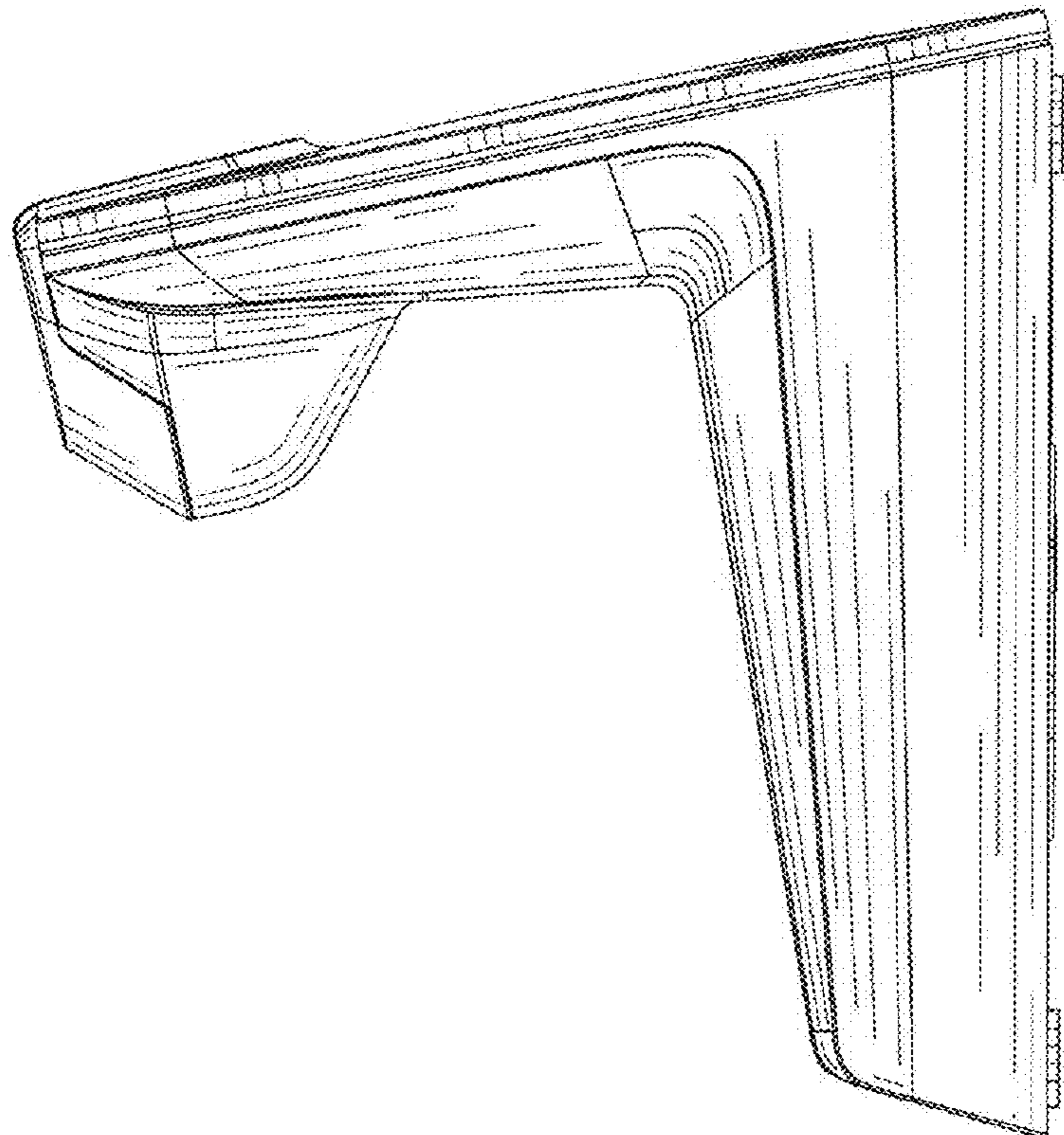


FIG. 4

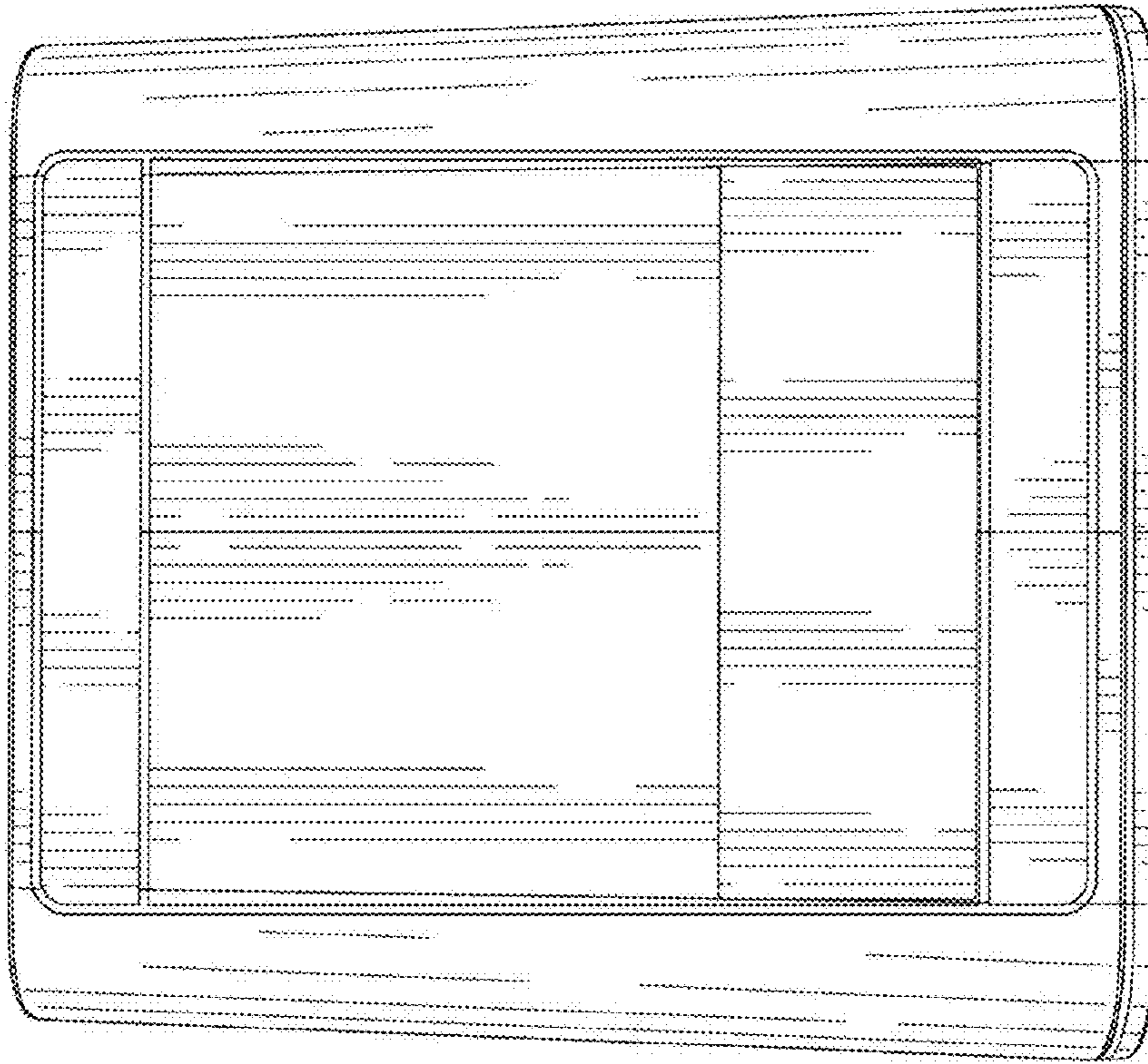


FIG. 7

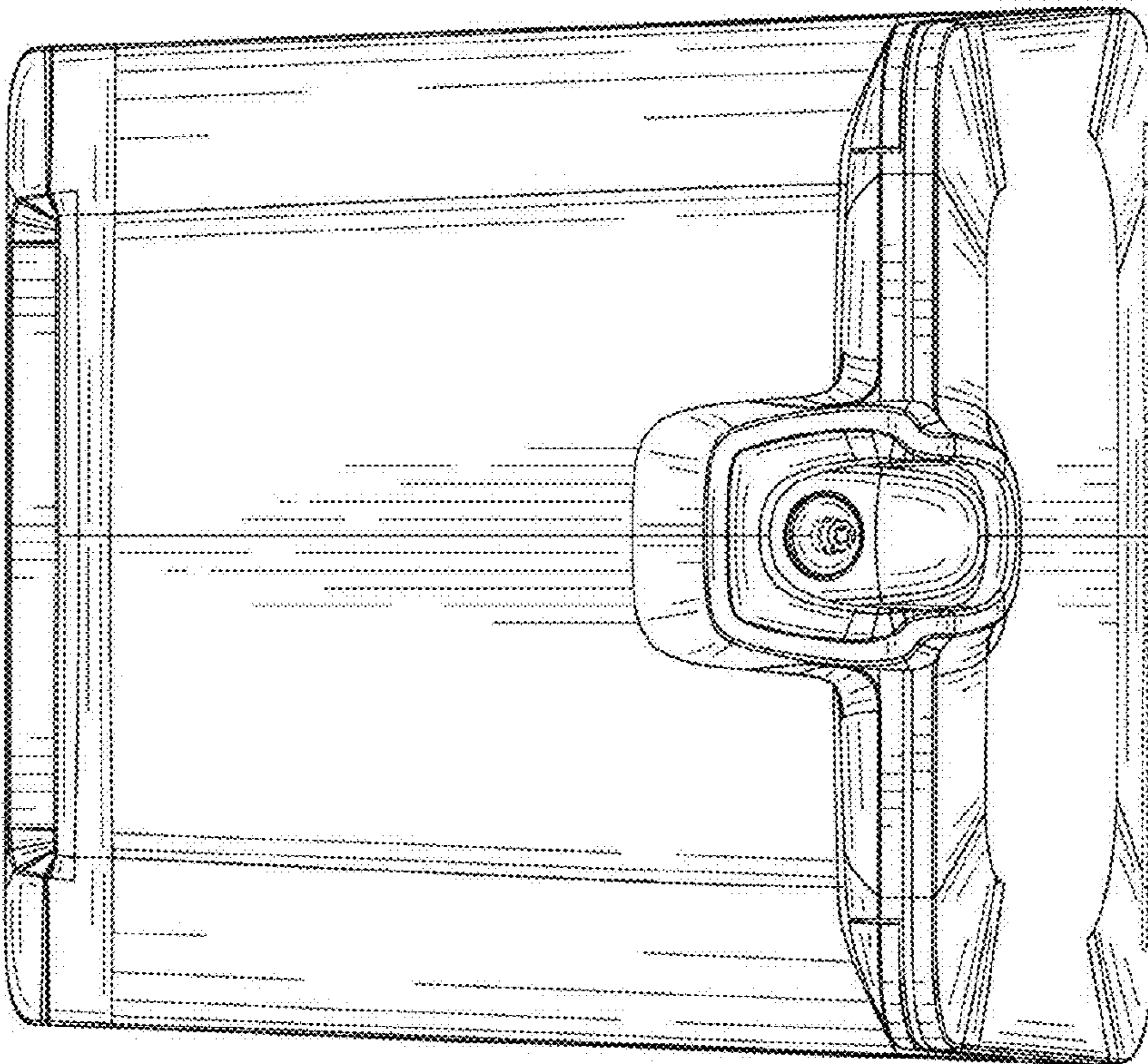


FIG. 6