



US00D662088S

(12) **United States Design Patent**
Brandis et al.

(10) **Patent No.:** **US D662,088 S**
(45) **Date of Patent:** **** Jun. 19, 2012**

(54) **HEADSET WITH EARHOOK**

(75) Inventors: **Michael Brandis**, Nürnberg (DE);
Roland Keplinger, Nürnberg (DE)

(73) Assignee: **Sennheiser Communications A/S**,
Solrod Strand (DK)

(**) Term: **14 Years**

(21) Appl. No.: **29/396,538**

(22) Filed: **Jun. 30, 2011**

(30) **Foreign Application Priority Data**

Jan. 4, 2011 (EM) 001801135-0002

(51) **LOC (9) Cl.** **14-01**

(52) **U.S. Cl.** **D14/223**

(58) **Field of Classification Search** D14/205,
D14/206, 223; 181/129, 130, 135; 379/430,
379/431; 381/380, 381, 328; 455/575.1,
455/575.2

See application file for complete search history.

(56) **References Cited**

U.S. PATENT DOCUMENTS

D535,976 S	1/2007	Ng	
D559,232 S *	1/2008	Ku et al.	D14/223
D573,582 S *	7/2008	Ma	D14/205
D581,906 S *	12/2008	Birger	D14/223
D584,719 S	1/2009	Brennwald	
D588,113 S *	3/2009	Bradford	D14/223

D590,814 S *	4/2009	Bradford	D14/223
D591,274 S *	4/2009	Khubani	D14/223
D592,190 S *	5/2009	Birger	D14/223
D597,083 S *	7/2009	Nousiainen	D14/223
7,609,845 B2 *	10/2009	Chang	381/381
D614,172 S	4/2010	Brennwald	
D622,706 S *	8/2010	Tzeng et al.	D14/223
7,778,410 B2 *	8/2010	Liu et al.	379/430
D626,536 S *	11/2010	Birger	D14/223
D634,305 S *	3/2011	Hoggarth	D14/223
D647,513 S *	10/2011	Ha et al.	D14/223
D650,369 S *	12/2011	Park	D14/223
8,090,135 B2 *	1/2012	Lin	381/381

* cited by examiner

Primary Examiner — Paula Greene

(74) *Attorney, Agent, or Firm* — Birch, Stewart, Kolasch & Birch, LLP

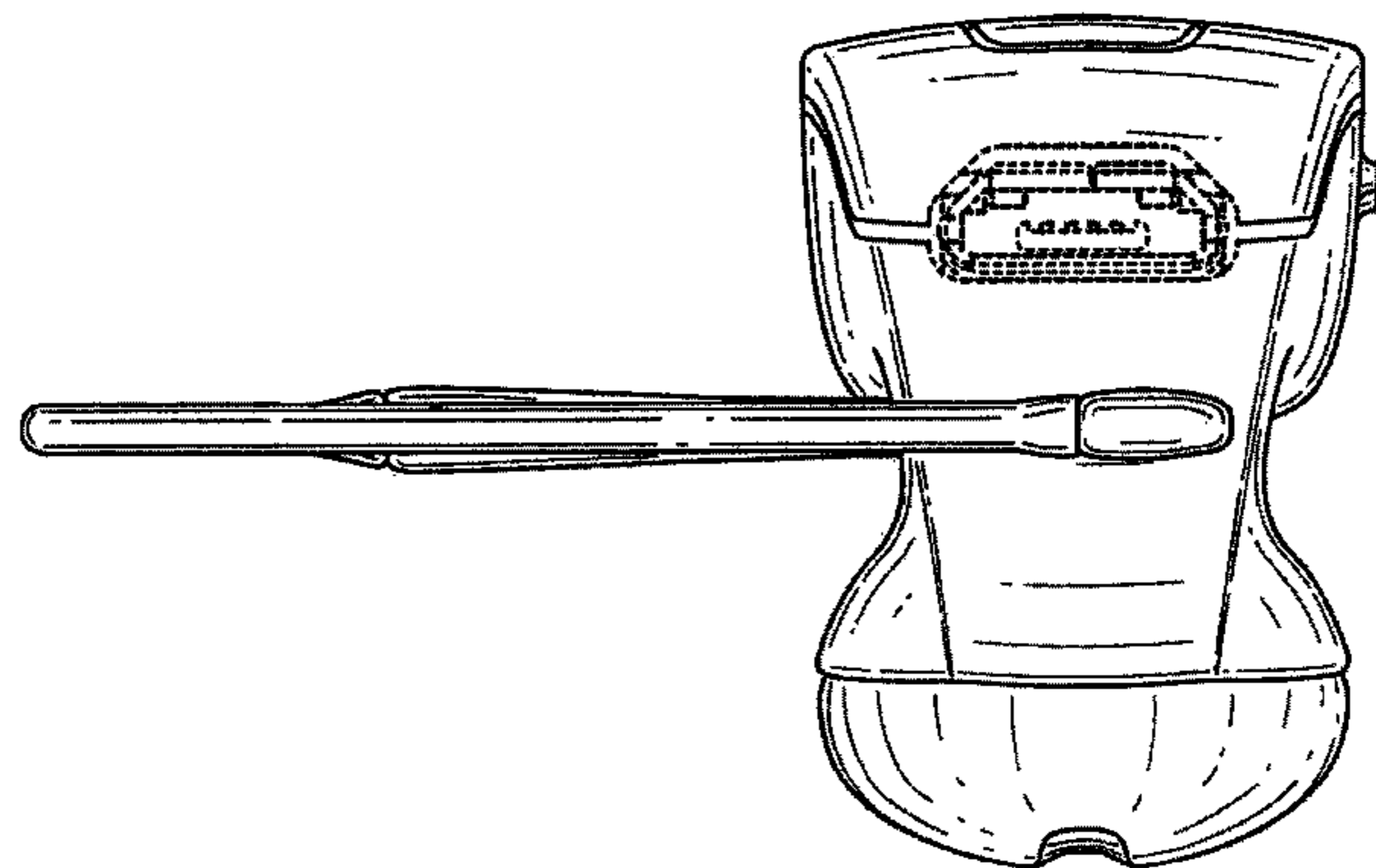
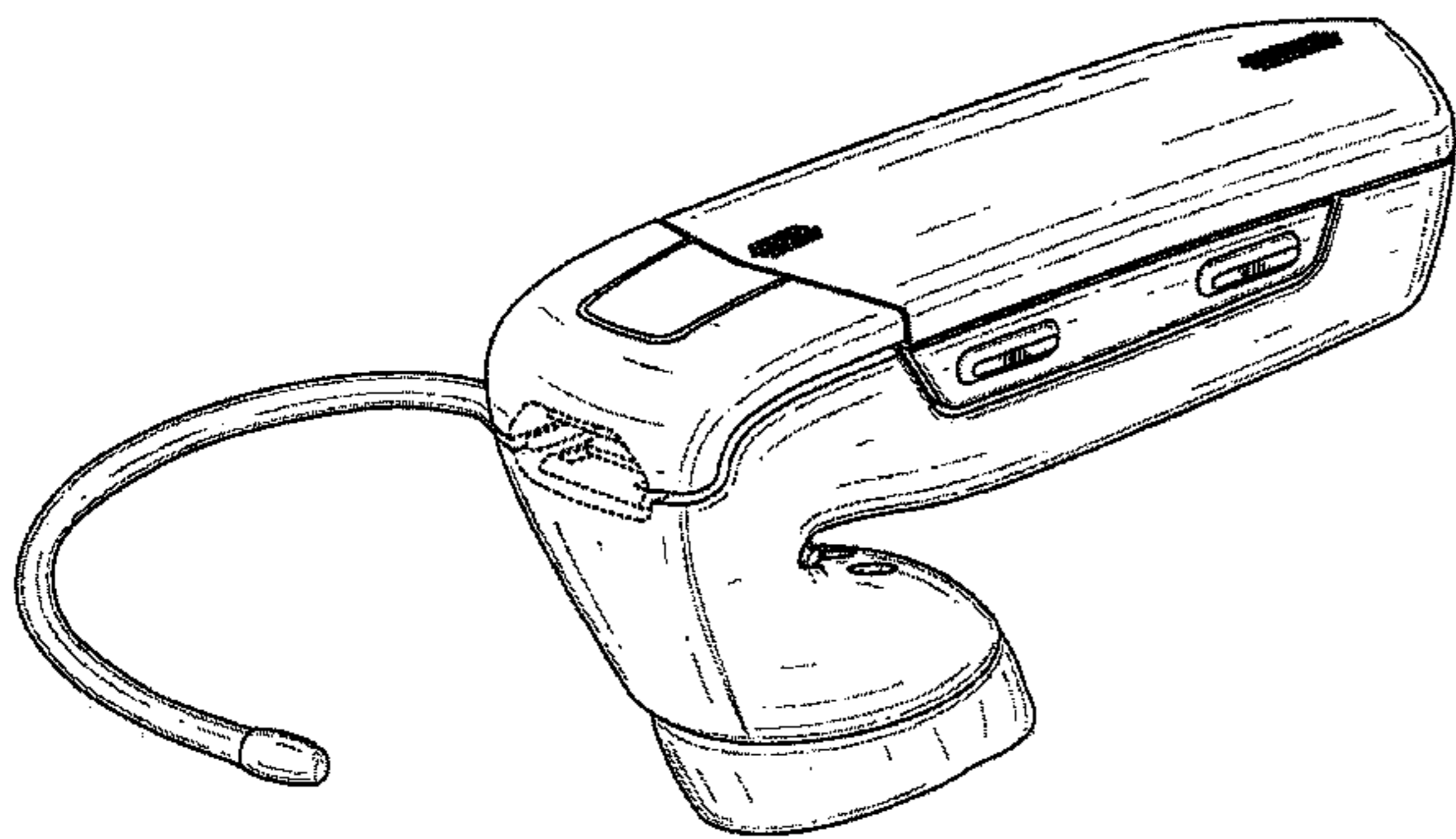
(57) **CLAIM**

The ornamental design for a headset with earhook, as substantially shown and described.

DESCRIPTION

FIG. 1 is a perspective view of the headset with earhook; FIG. 2 is a right side view of the headset with earhook; FIG. 3 is a left side view of the headset with earhook; FIG. 4 is a front view of the headset with earhook; FIG. 5 is a rear view of the headset with earhook; FIG. 6 is a top view of the headset with earhook; and, FIG. 7 is a bottom view of the headset with earhook. The broken lines form no part of the claimed design.

1 Claim, 7 Drawing Sheets



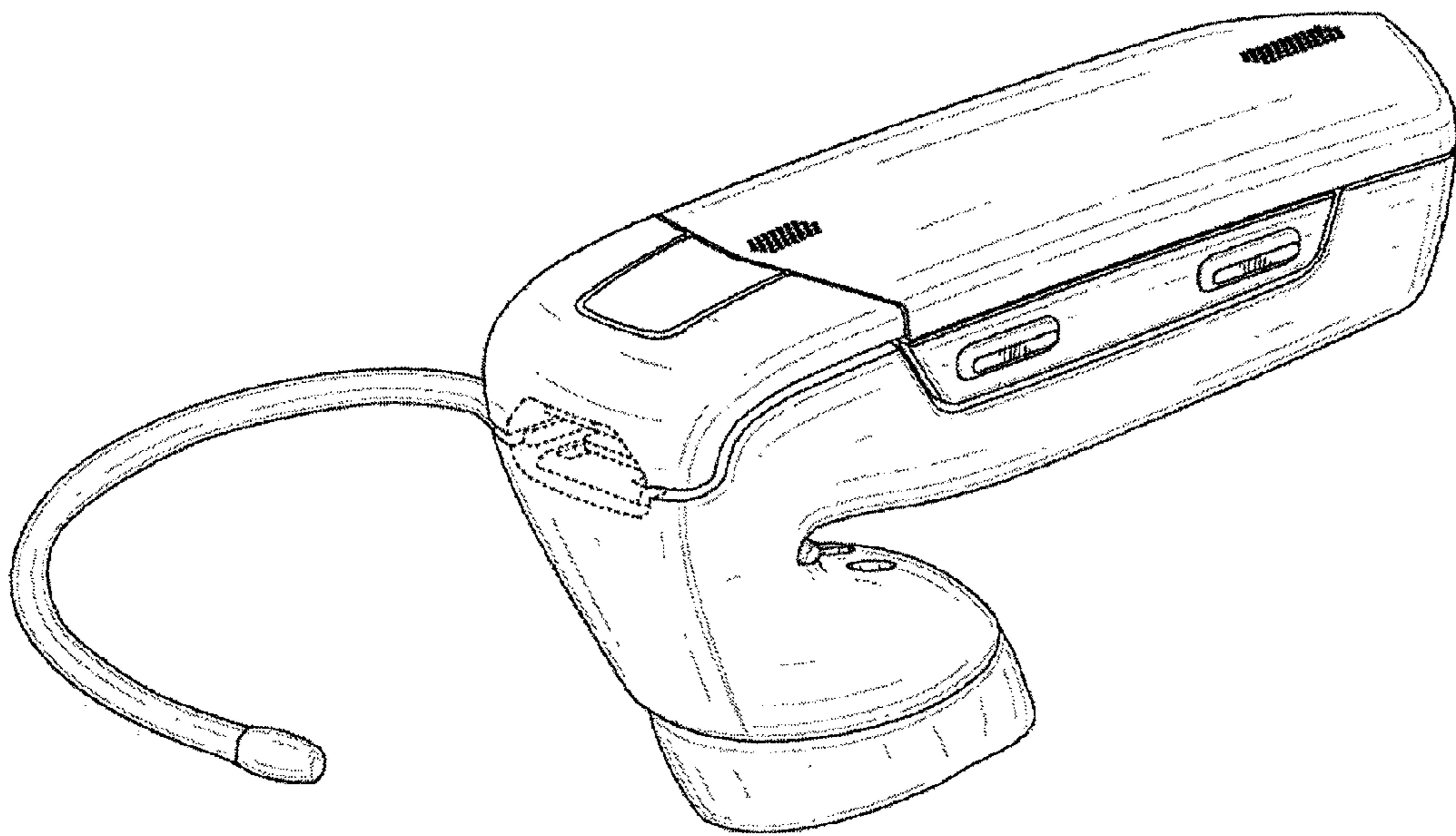


FIG. 1

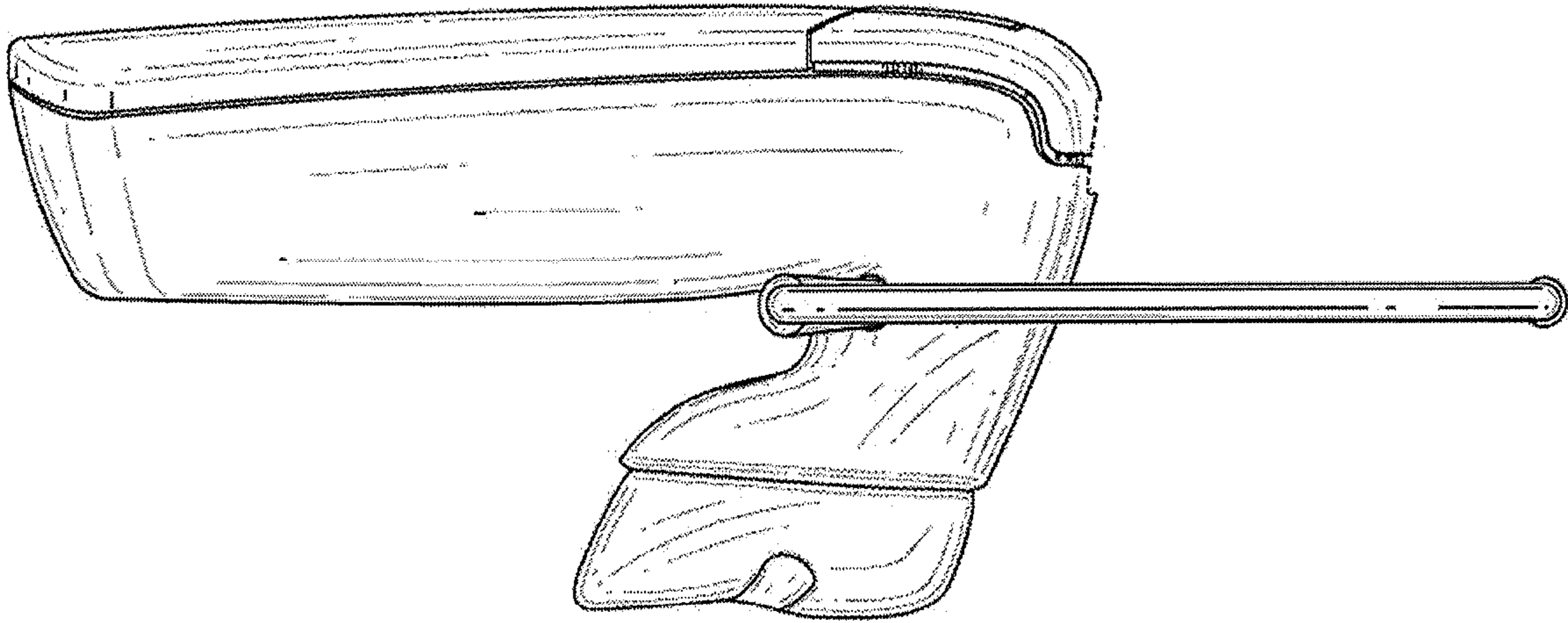


FIG. 2

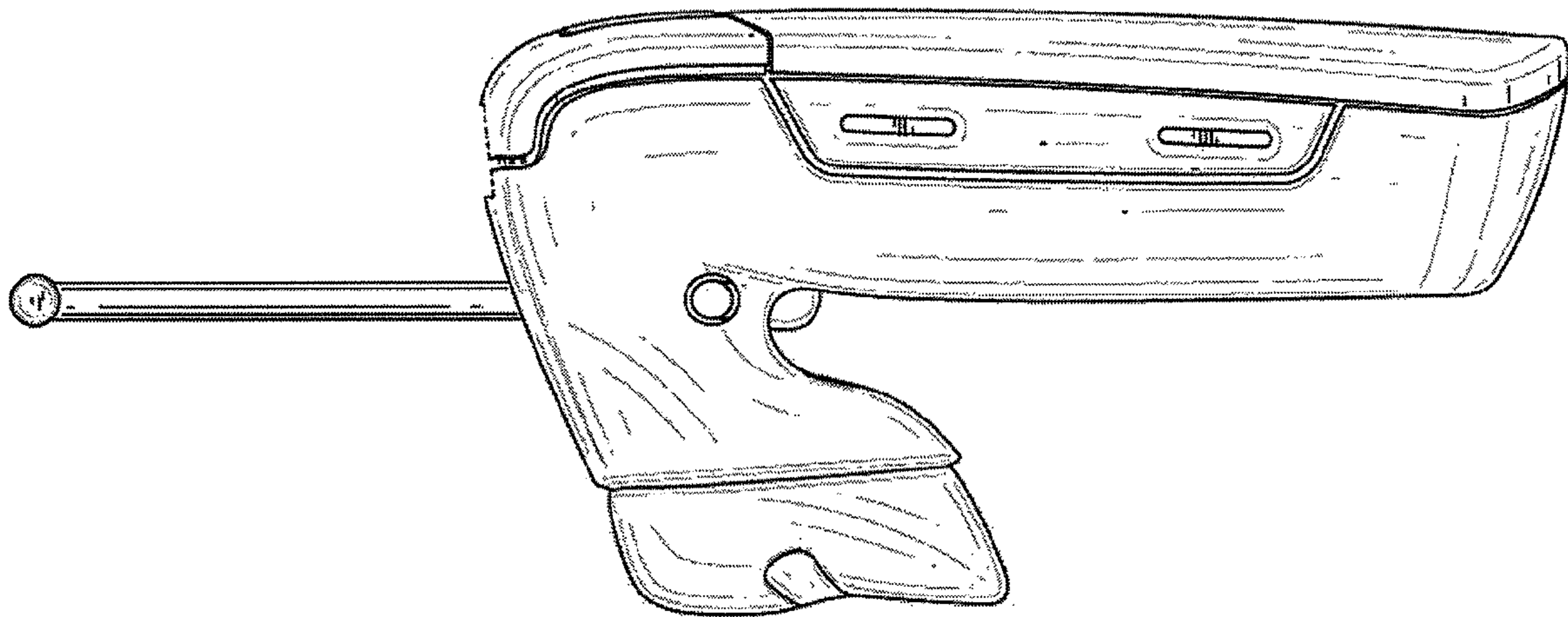


FIG. 3

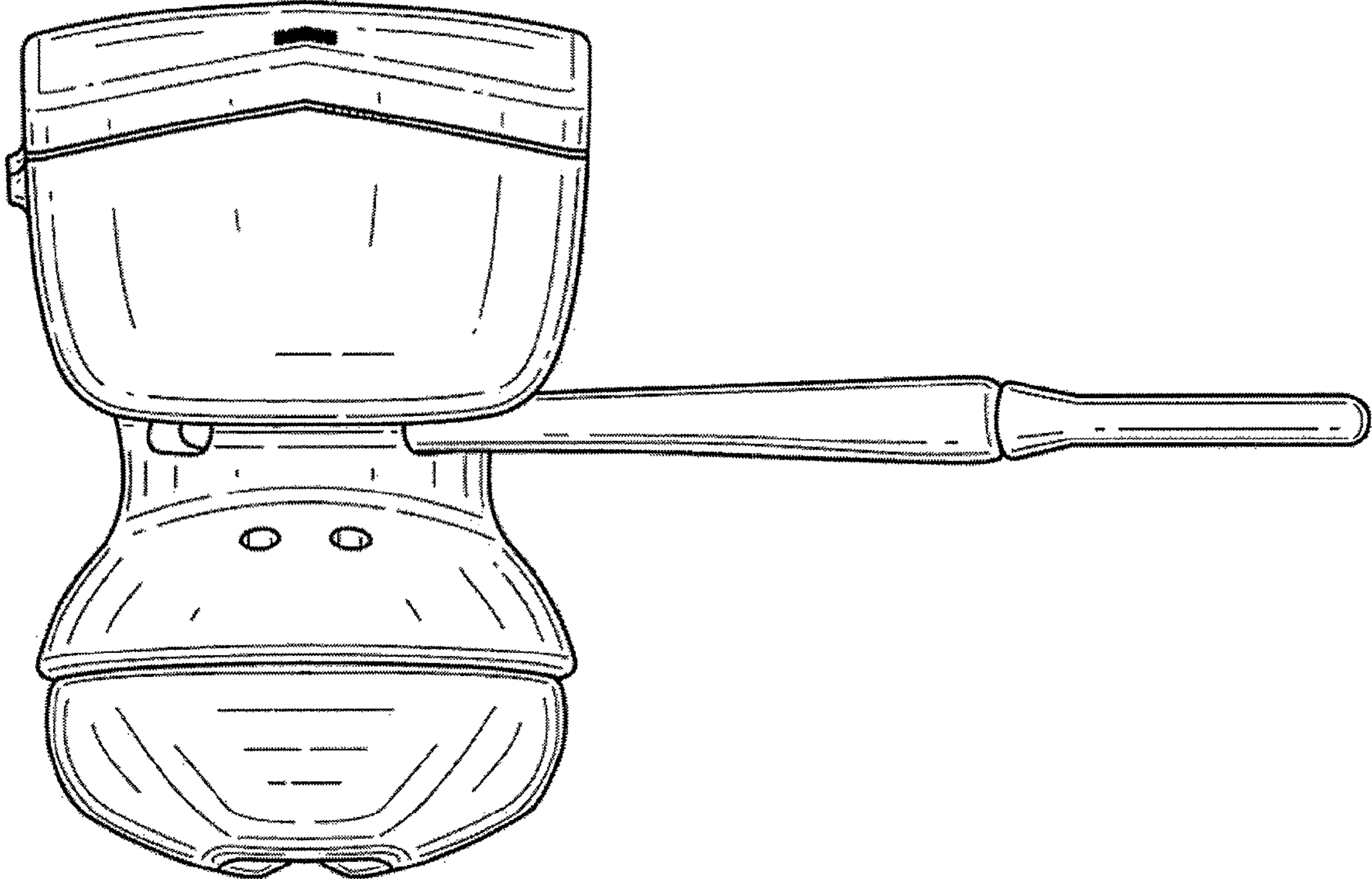


FIG. 4

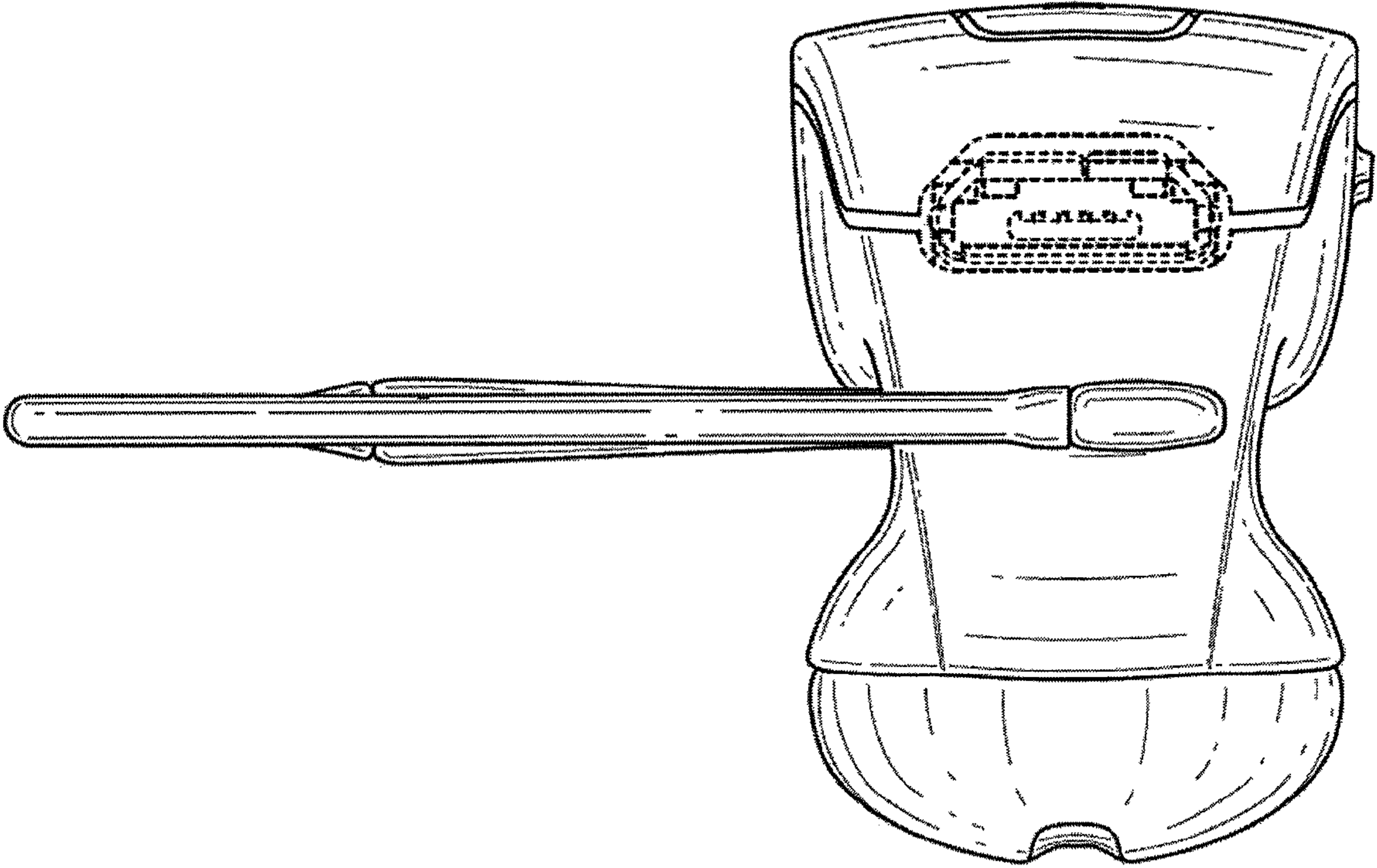


FIG. 5

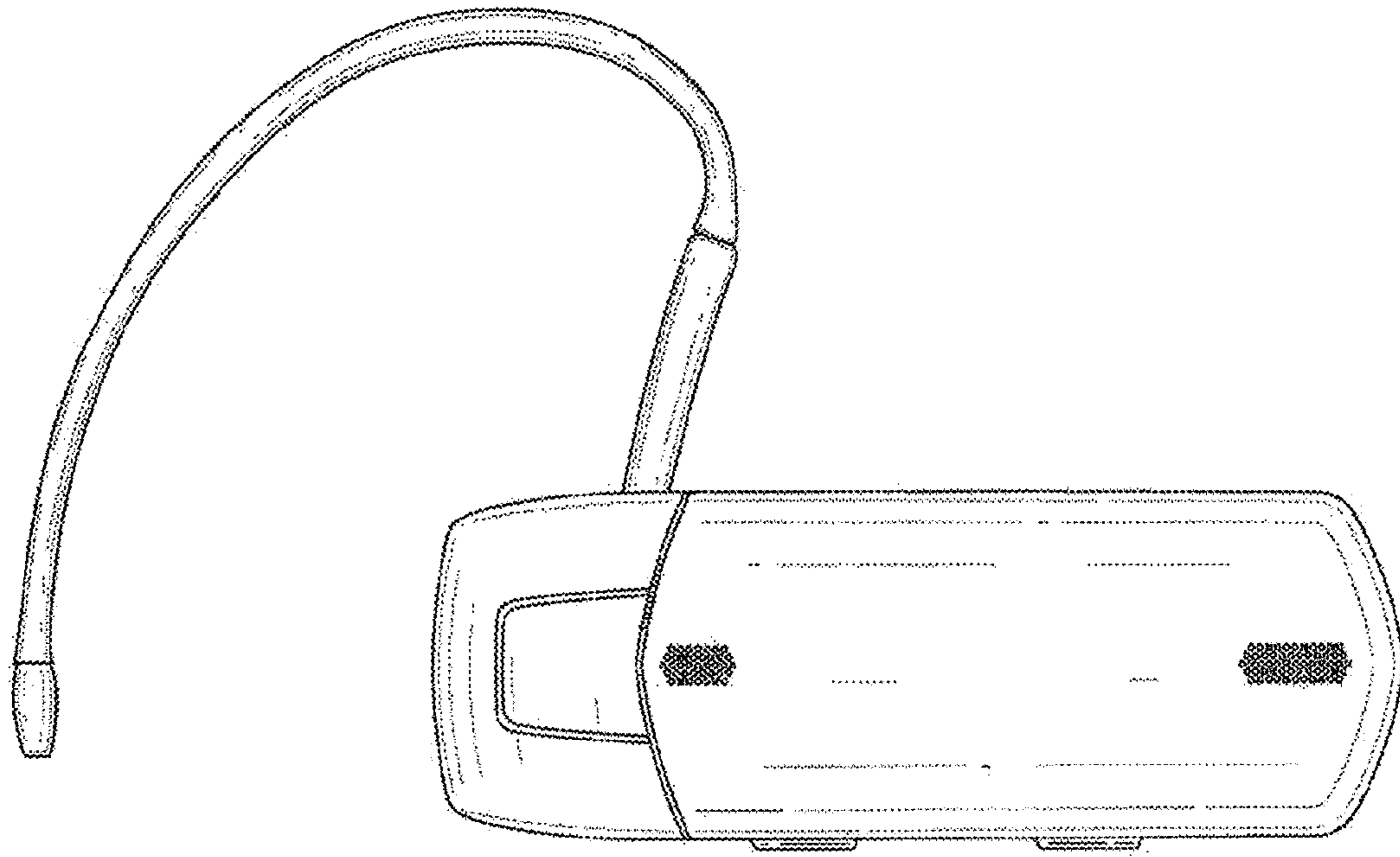


FIG. 6

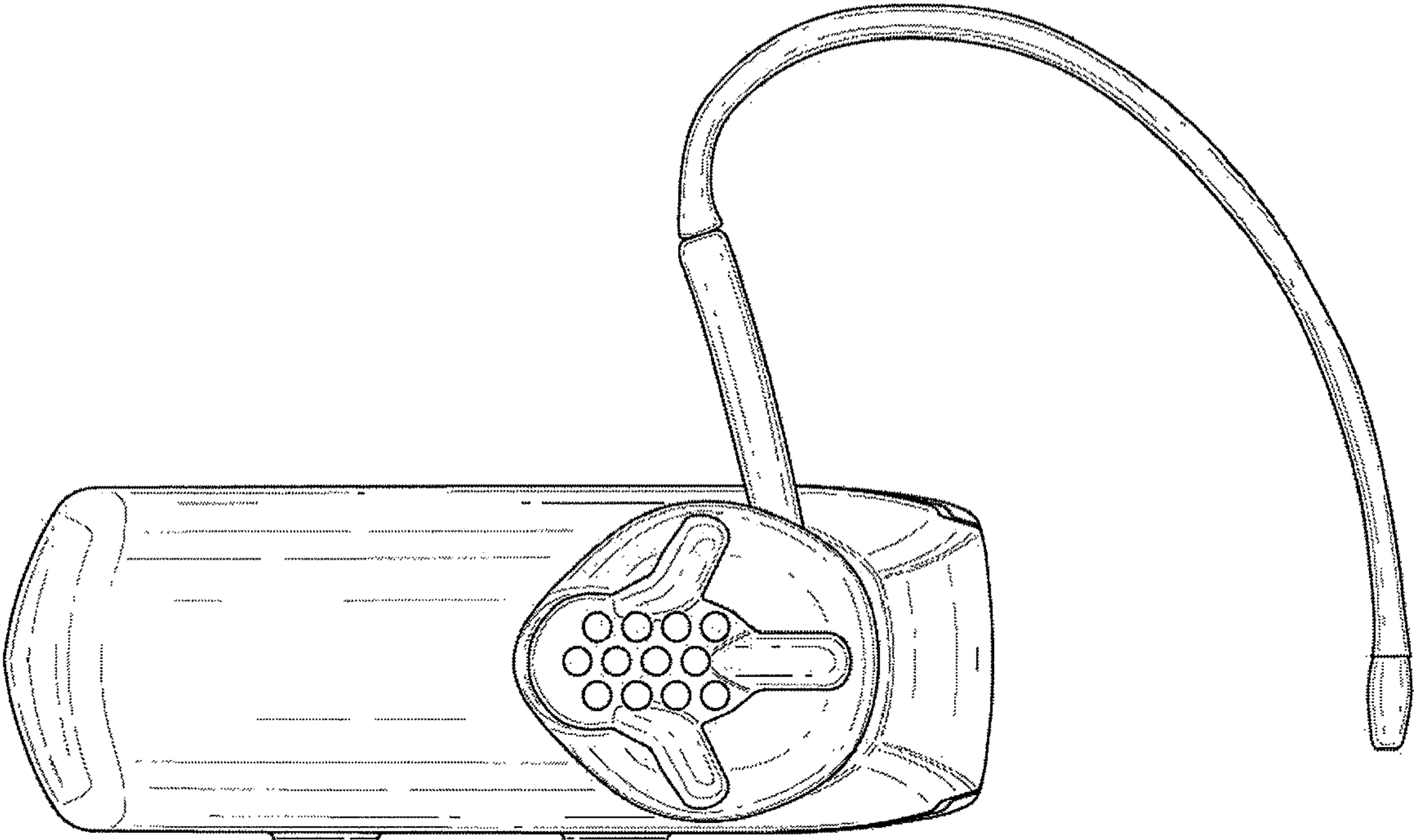


FIG. 7