



US00D662087S

(12) **United States Design Patent**
Peller

(10) **Patent No.:** **US D662,087 S**
(45) **Date of Patent:** **** Jun. 19, 2012**

(54) **EARPHONE HOLDER**

(76) Inventor: **Richard J. Peller**, Lake Worth, FL (US)

(**) Term: **14 Years**

(21) Appl. No.: **29/371,737**

(22) Filed: **Aug. 11, 2011**

(51) **LOC (9) Cl.** **14-01**

(52) **U.S. Cl.** **D14/223; D14/205**

(58) **Field of Classification Search** D14/205,
D14/223, 217, 224.1; D8/356, 358, 359;
379/420.02, 420.04, 430, 433; 242/400.1,
242/405.1, 388.1; 381/370, 384; D3/24,
D3/201; D19/96, 98; 137/355.16; 206/389;
455/569.1

See application file for complete search history.

(56) **References Cited**

U.S. PATENT DOCUMENTS

1,275,735	A *	8/1918	Phillips	242/405.1
2,143,529	A	1/1939	Wallace	206/351
2,422,358	A	3/1947	Lobl		
2,472,300	A	6/1949	Kemplin	242/405.1
2,533,341	A	12/1950	Gustave	242/388
3,803,650	A	4/1974	D'Amico	7/14.1
4,721,268	A	1/1988	Lerner et al.	242/388
4,802,638	A	2/1989	Burger et al.	242/388.1
5,507,667	A *	4/1996	Hahn et al.	439/501
D372,188	S	7/1996	Van Dyke	D8/358
5,832,098	A	11/1998	Chen	381/370
5,984,224	A	11/1999	Yang	242/400.1
D456,692	S	5/2002	Epstein	D84/356
6,658,130	B2	12/2003	Huang	381/384
6,712,304	B1	3/2004	Taylor	242/379

D493,773	S *	8/2004	Hein	D13/156
6,942,173	B1	9/2005	Abramov	242/400.1
7,048,222	B1	5/2006	Curtiss	242/405.1
D525,618	S *	7/2006	Wilson et al.	D14/224
7,086,512	B2	8/2006	Shack et al.	191/12.4
7,108,544	B2	9/2006	Zoller	439/501
D544,338	S	6/2007	Christensen et al.	D8/358
D566,107	S	4/2008	Bowling	D14/223
D570,593	S *	6/2008	Justiss	D3/201
D596,927	S	7/2009	Ting	D8/356
D600,673	S	9/2009	Kim et al.	D14/205
D603,376	S	11/2009	Blasko	D14/223
D620,781	S *	8/2010	Weckworth	D8/356
D637,584	S	5/2011	Peller	D14/223
D638,398	S *	5/2011	Morison	D14/205
2007/0154048	A1	7/2007	Chang	381/371
2009/0194630	A1	8/2009	Thiyagarajan	242/405.1

* cited by examiner

Primary Examiner — Paula Greene

(74) *Attorney, Agent, or Firm* — Jacobson Holman PLLC

(57) **CLAIM**

The ornamental design for an earphone holder, as shown and described.

DESCRIPTION

FIG. 1 is a perspective view showing my new design for an earphone holder,
FIG. 2 is a front view thereof, the rear view being a mirror image thereof,
FIG. 3 is a right side view thereof, the left side view being a mirror image thereof,
FIG. 4 is a top view thereof; and,
FIG. 5 is a bottom view thereof.

1 Claim, 2 Drawing Sheets

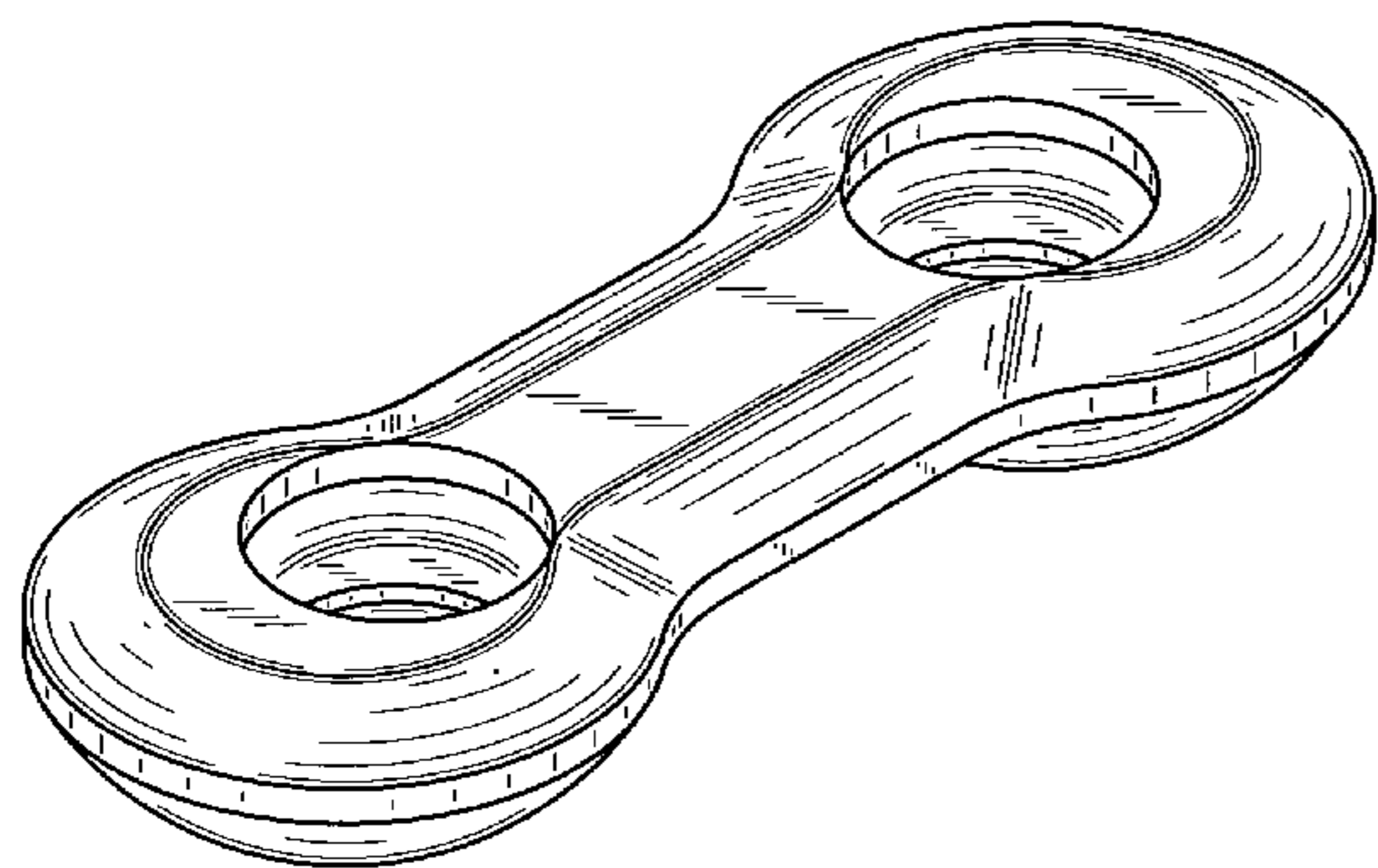


FIG. 1

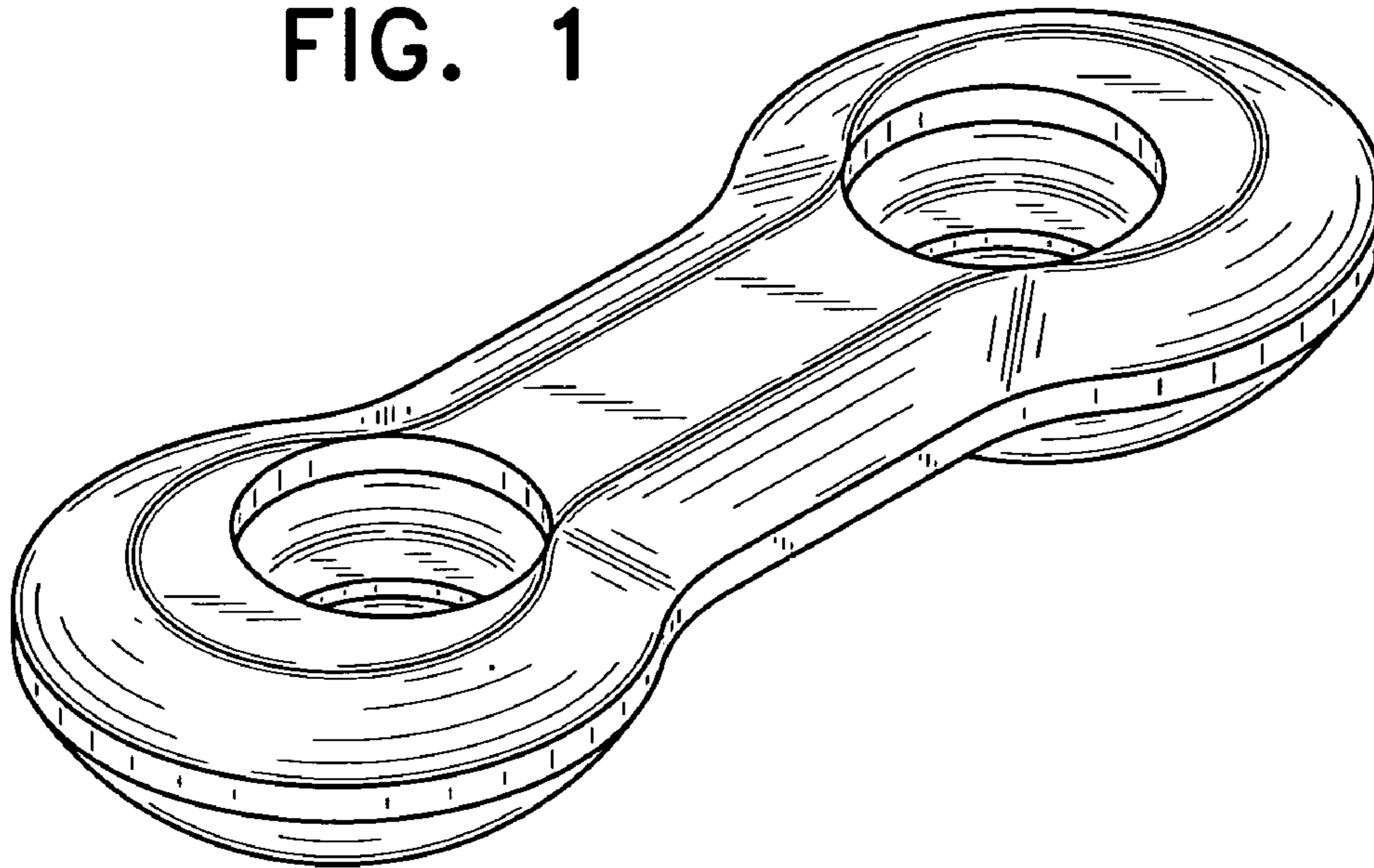


FIG. 2

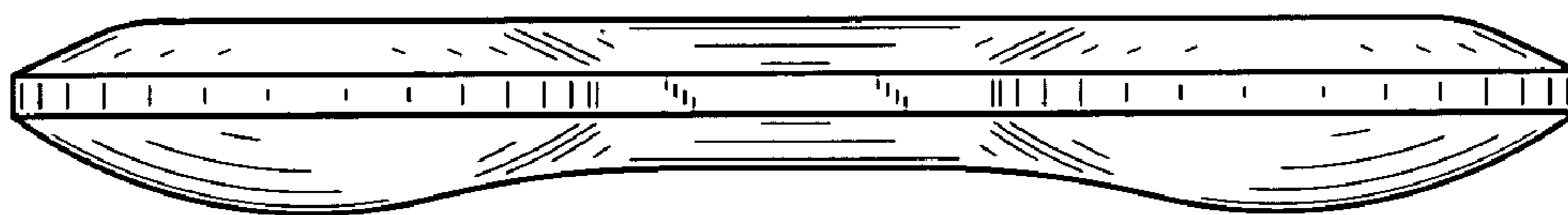


FIG. 3



FIG. 4

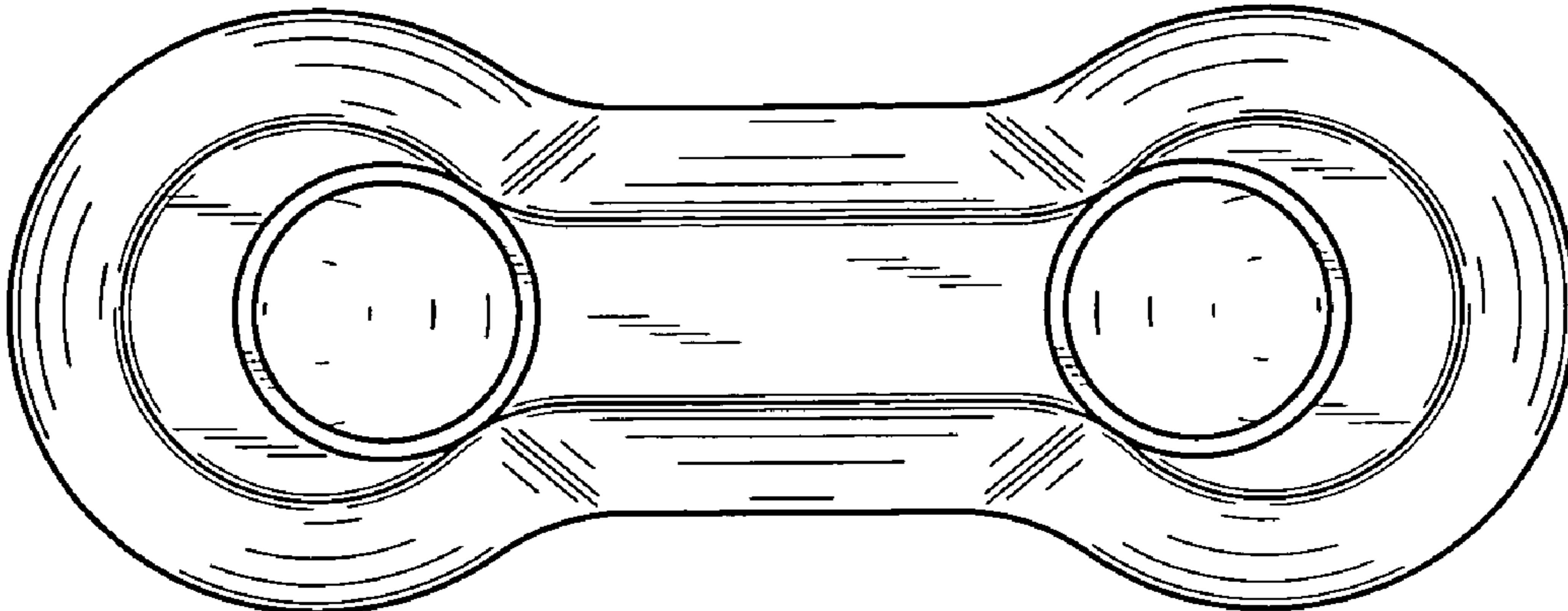


FIG. 5

