



US00D662086S

(12) **United States Design Patent**
Komiyama

(10) **Patent No.:** **US D662,086 S**
(45) **Date of Patent:** **** Jun. 19, 2012**

(54) **EARPHONE**

(75) Inventor: **Jun Komiyama**, Tokyo (JP)

(73) Assignee: **Sony Corporation**, Tokyo (JP)

(**) Term: **14 Years**

(21) Appl. No.: **29/371,679**

(22) Filed: **Jun. 30, 2011**

(30) **Foreign Application Priority Data**

Jan. 25, 2011 (JP) D2011-001451

(51) **LOC (9) Cl.** **14-01**

(52) **U.S. Cl.** **D14/223**

(58) **Field of Classification Search** D14/205,
D14/206, 223; 181/129, 130, 135; 381/380,
381/381; 379/430, 431, 433.01, 433.02;
D3/207; D11/78.1; D16/219, 212, 250;
455/90.3, 575.2, 575.8

See application file for complete search history.

(56) **References Cited**

U.S. PATENT DOCUMENTS

2,428,837 A * 10/1947 Denton 493/196
3,632,878 A * 1/1972 Stratman 379/21
D451,527 S * 12/2001 Suzuki et al. D16/219
D587,248 S 2/2009 Densho
D587,249 S 2/2009 Densho
D597,084 S * 7/2009 Gondo D14/223
D597,534 S * 8/2009 Christopher D14/223

D599,781 S * 9/2009 Lee et al. D14/205
D607,880 S 1/2010 Chung et al.
D626,948 S * 11/2010 Nault D14/223
D631,470 S * 1/2011 Yoneyama et al. D14/223
D635,558 S * 4/2011 Zheng D14/223
D641,010 S * 7/2011 Kwon D14/223
D641,011 S * 7/2011 Gondo D14/223
D647,889 S * 11/2011 Huang D14/223
D648,328 S * 11/2011 Morimoto D14/223

FOREIGN PATENT DOCUMENTS

JP D1393871 S 8/2010

* cited by examiner

Primary Examiner — Paula Greene

(74) *Attorney, Agent, or Firm* — Rader, Fishman & Grauer PLLC

(57) **CLAIM**

The ornamental design for an earphone, as shown and described.

DESCRIPTION

FIG. 1 is a perspective view of an earphone showing my new design;

FIG. 2 is a front elevational view thereof;

FIG. 3 is a rear elevational view thereof;

FIG. 4 is a left side elevational view thereof;

FIG. 5 is a right side elevational view thereof;

FIG. 6 is a top plan view thereof; and,

FIG. 7 is a bottom plan view thereof.

Portions in broken lines are for illustrative purpose only and forms no part of the claimed design.

1 Claim, 4 Drawing Sheets

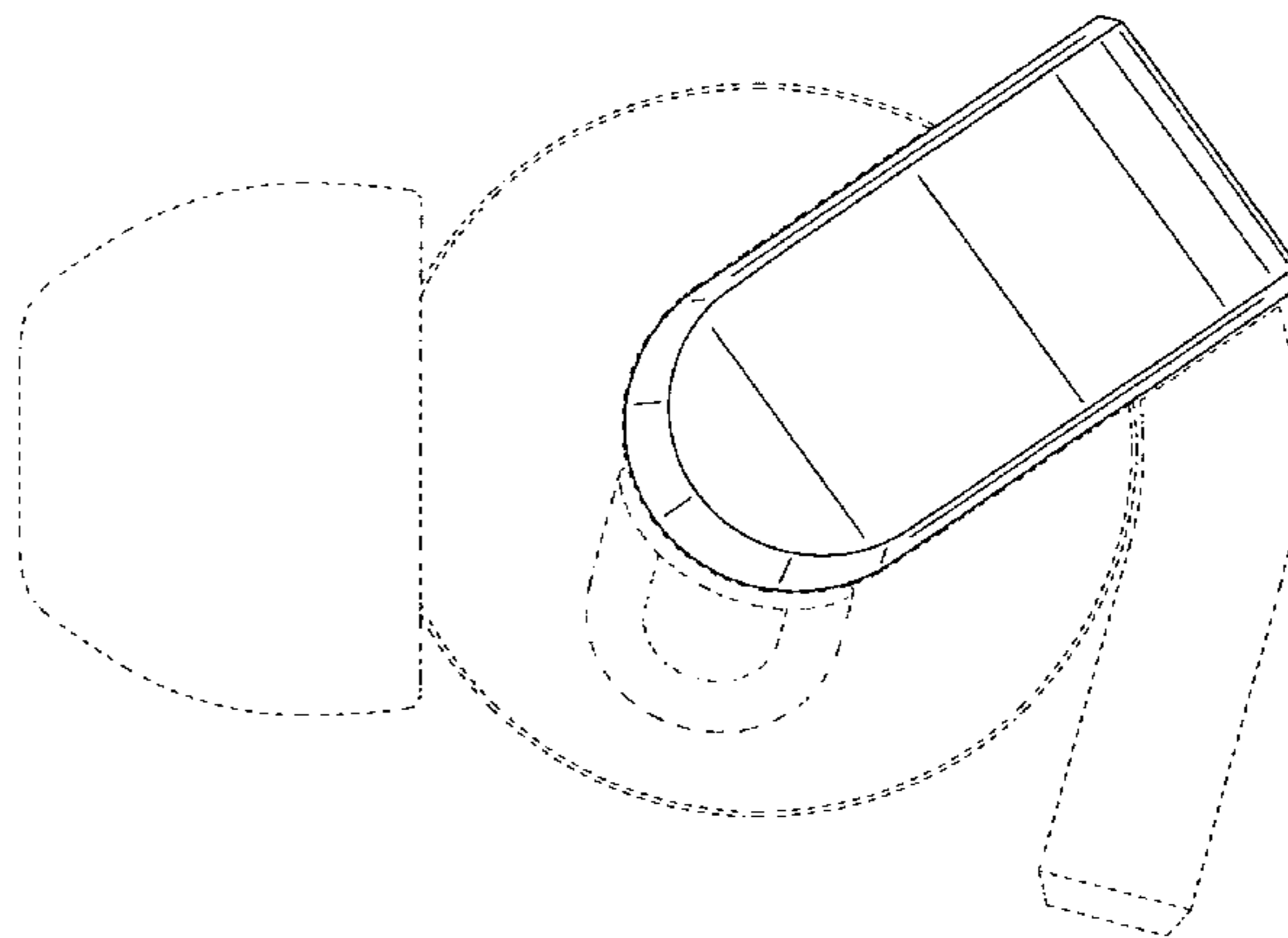
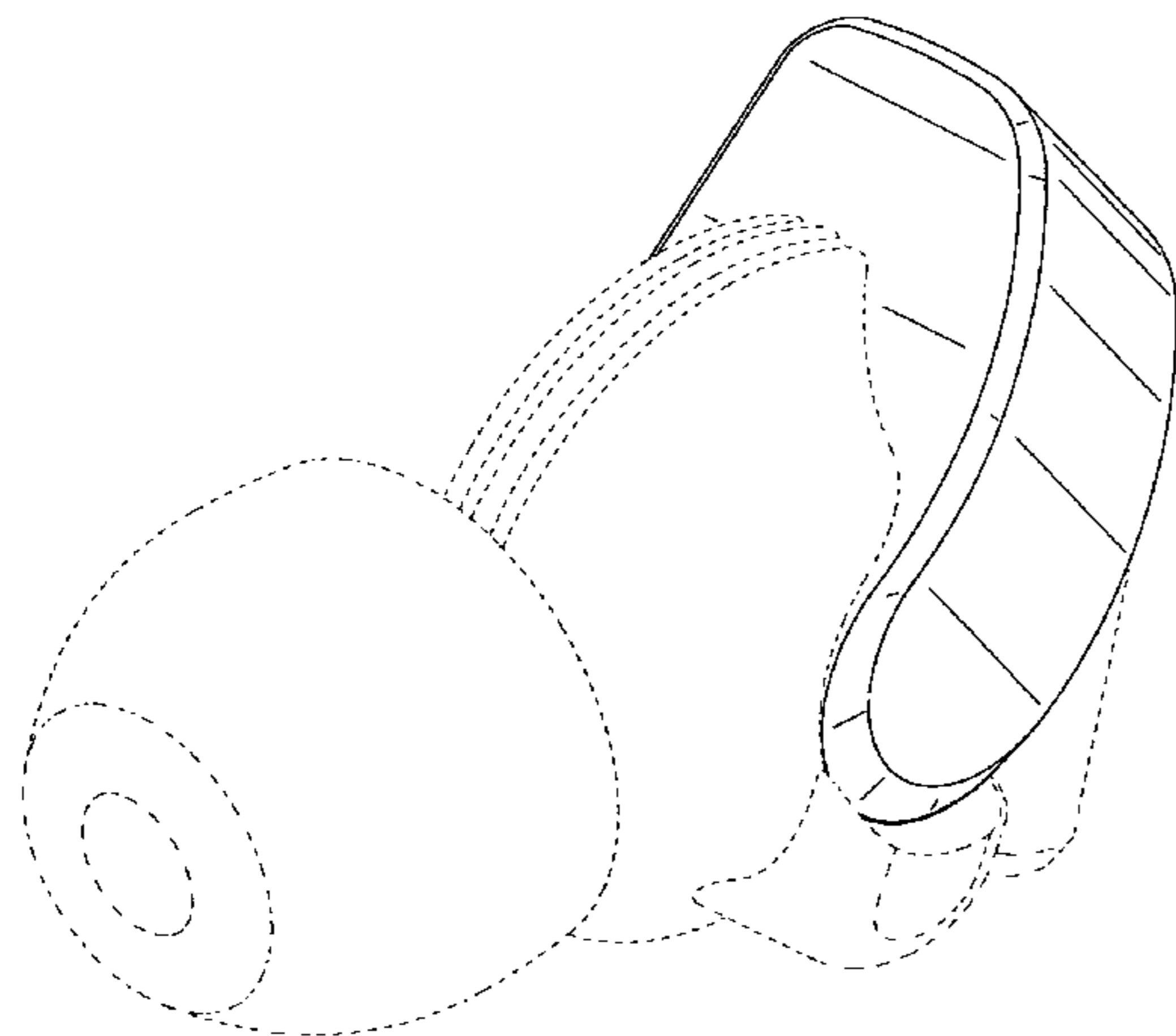


FIG. 1

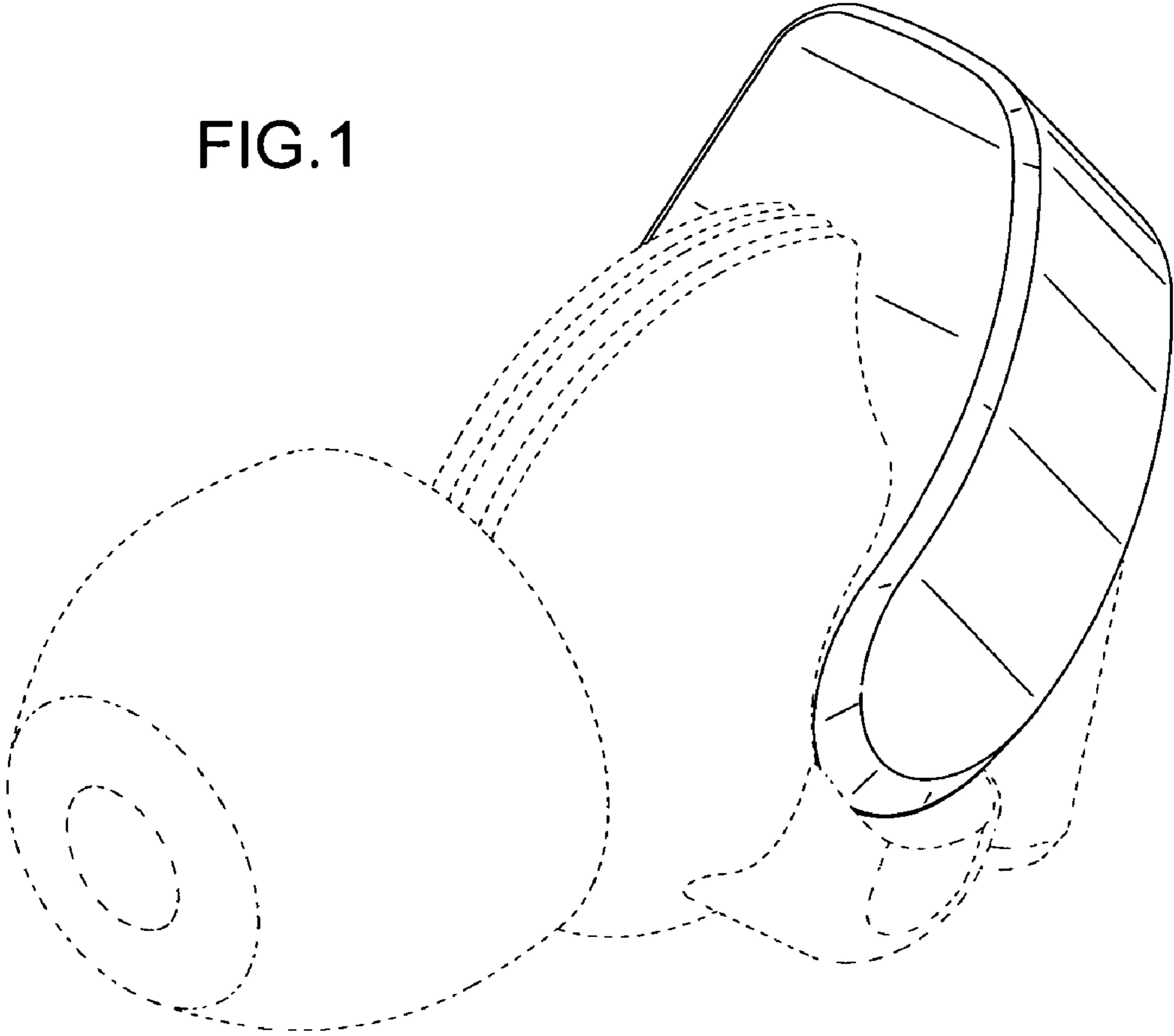


FIG.3

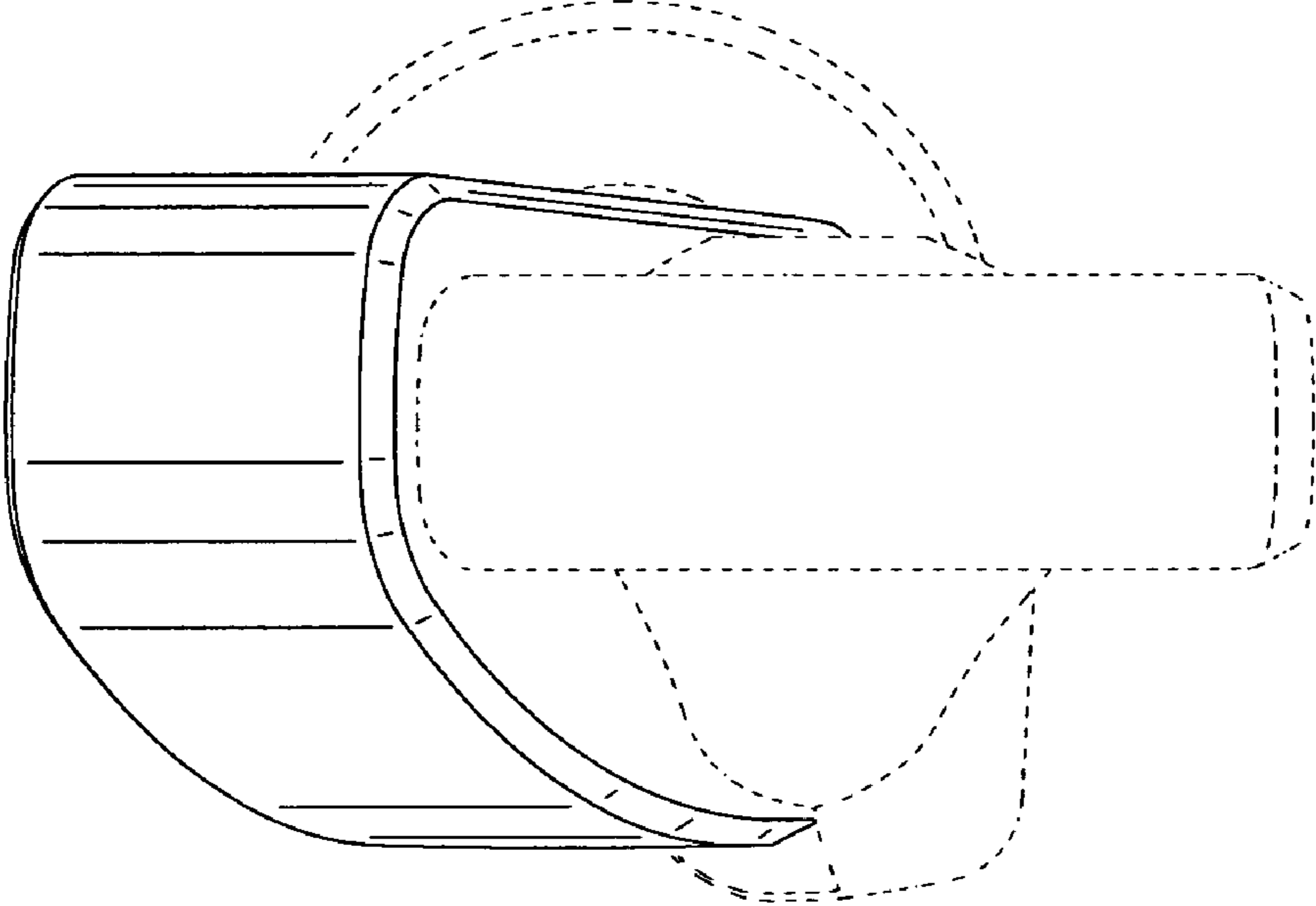
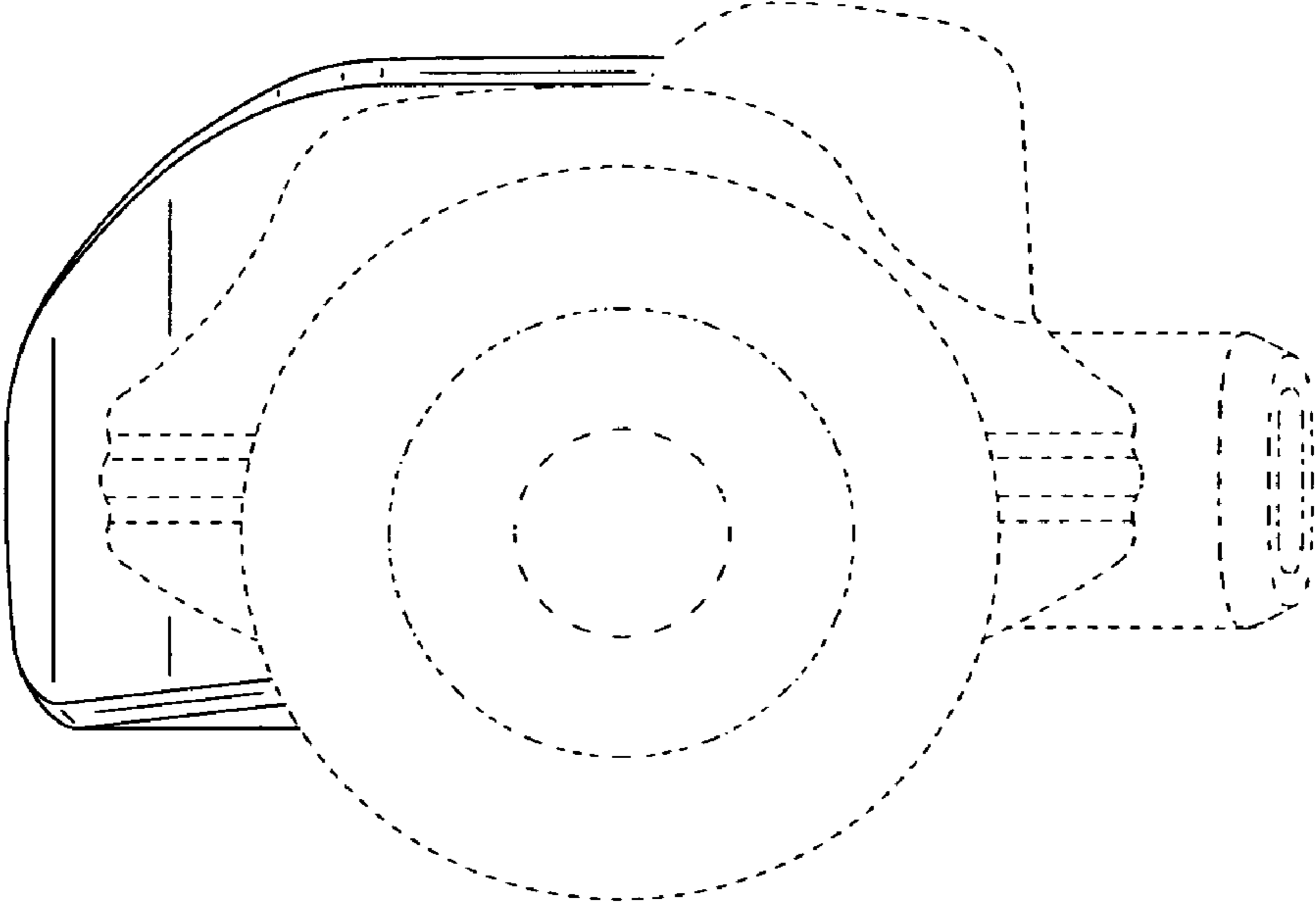
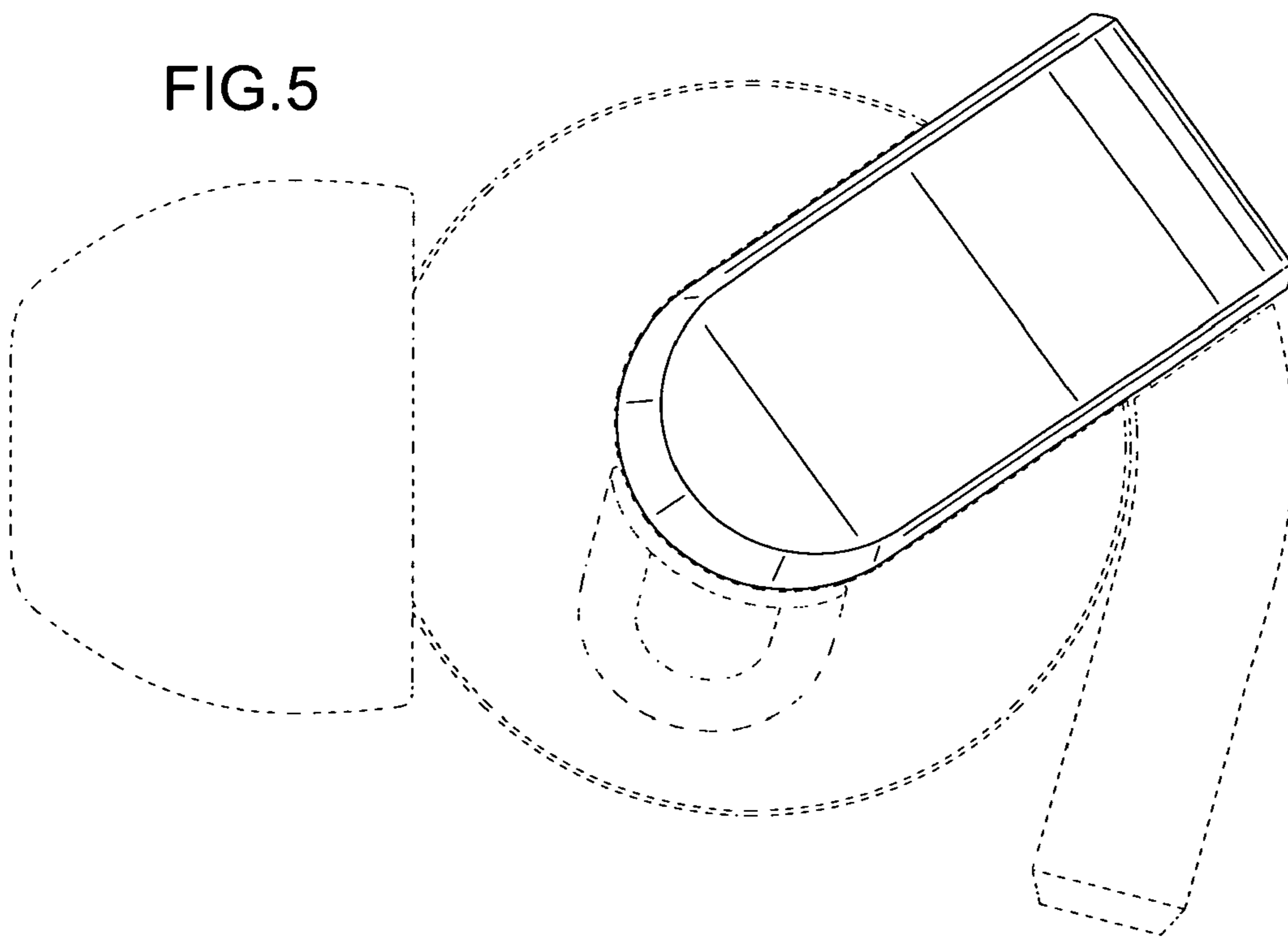
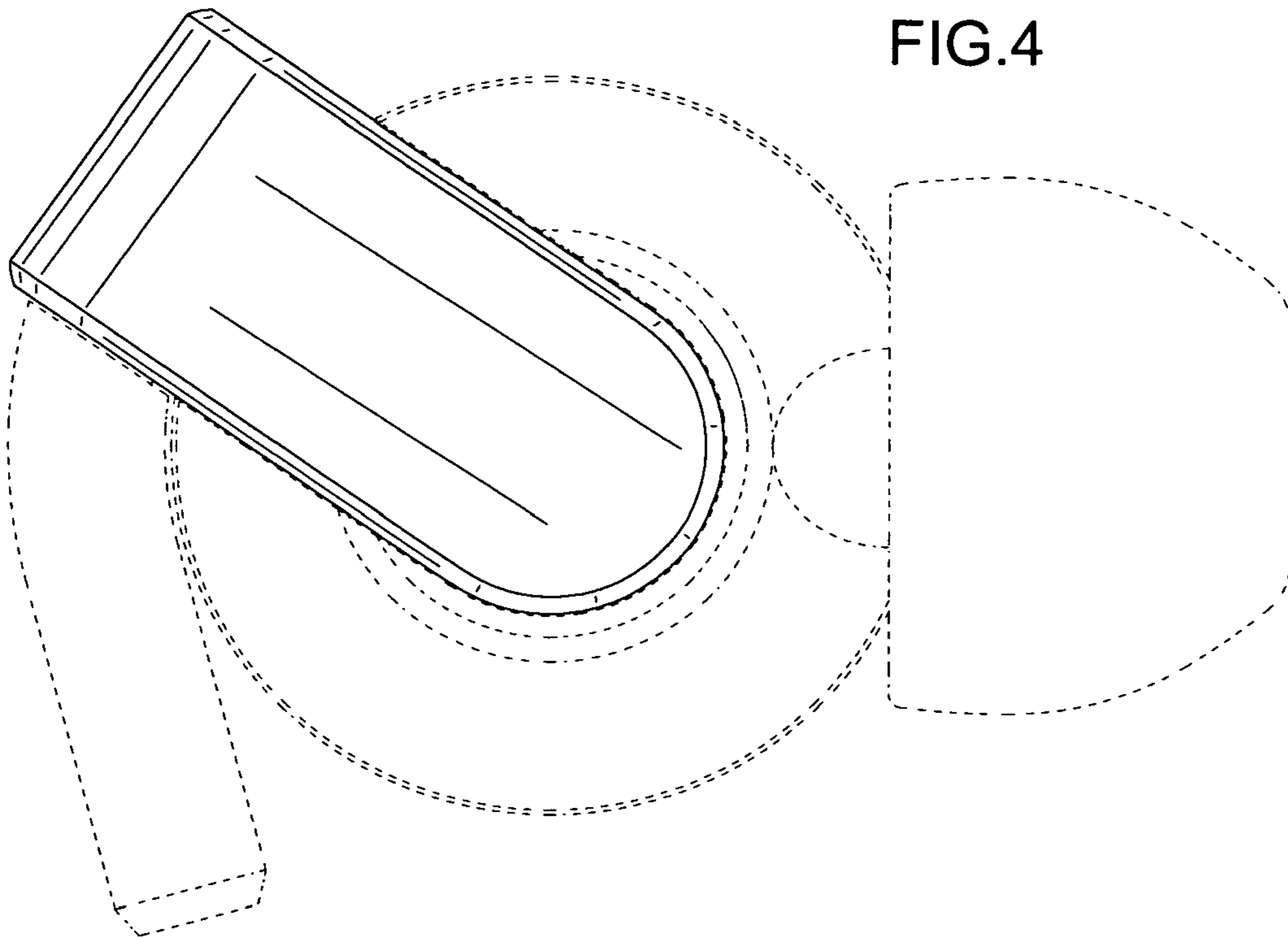


FIG.2





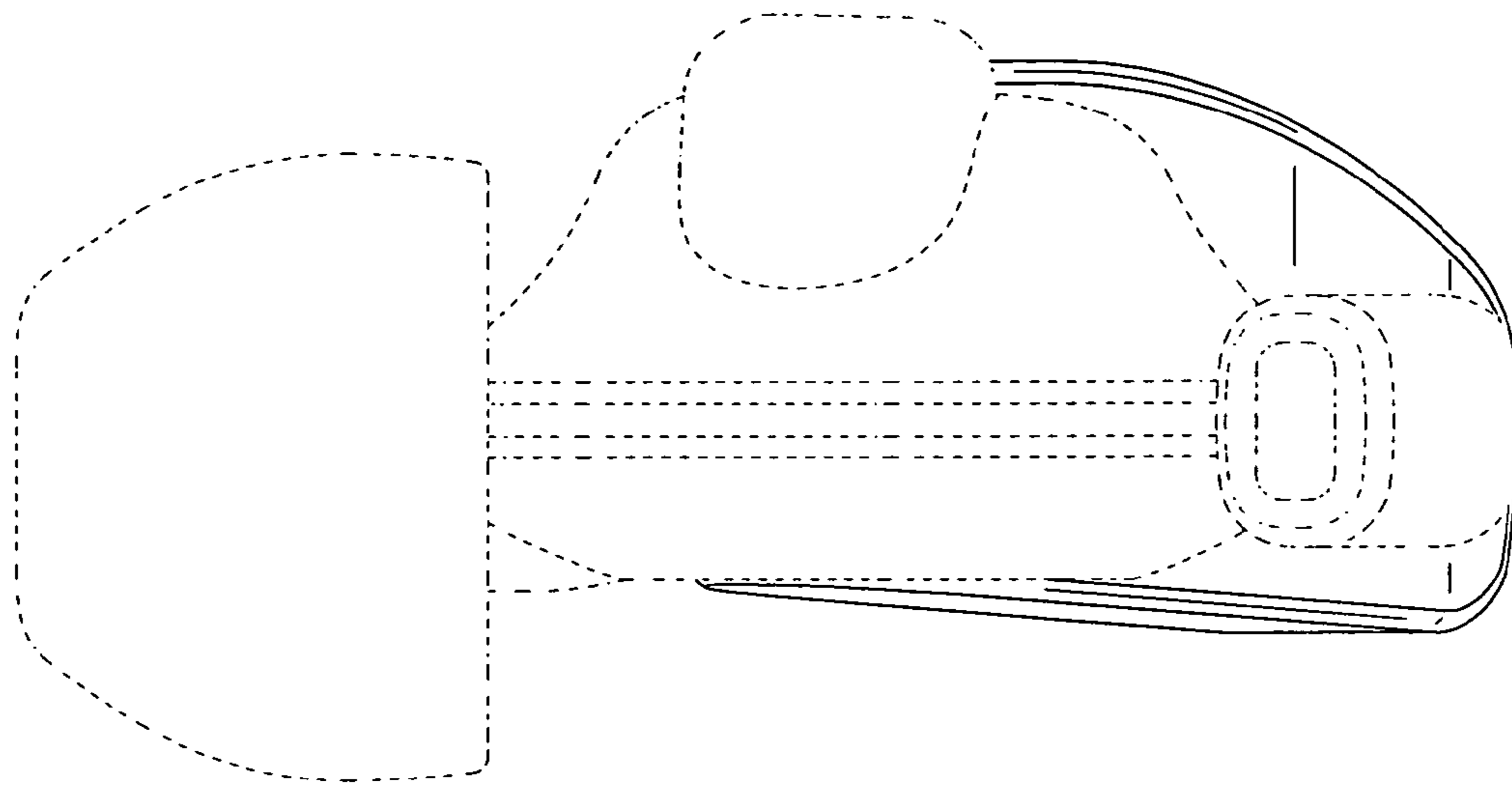


FIG. 7

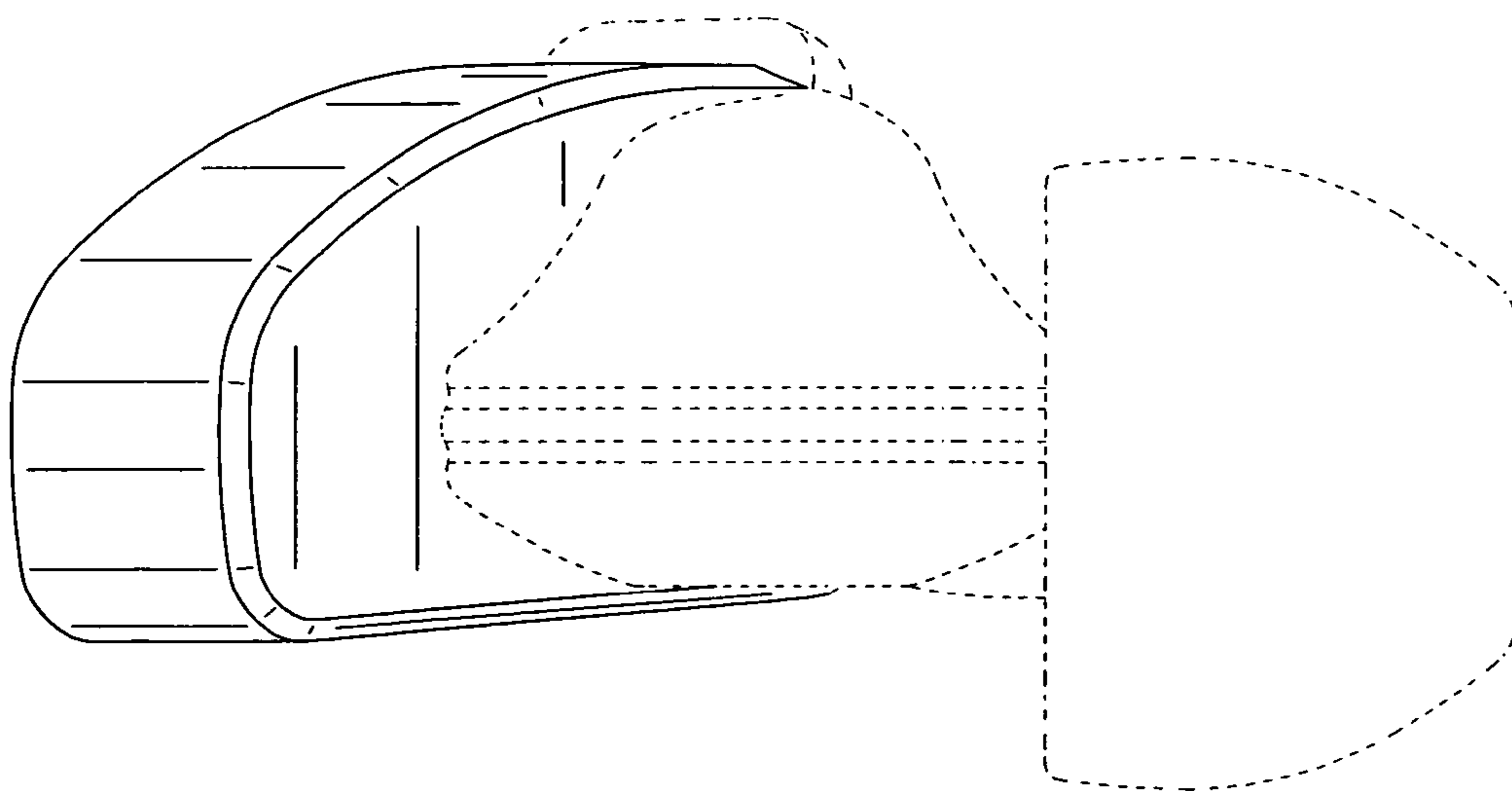


FIG. 6