

US00D662083S

(12) **United States Design Patent**
Akana et al.

(10) **Patent No.:** **US D662,083 S**
(45) **Date of Patent:** **** Jun. 19, 2012**

(54) **DOCKING STATION**

(75) Inventors: **Jody Akana**, San Francisco, CA (US); **Bartley K. Andre**, Menlo Park, CA (US); **Jeremy Bataillou**, San Francisco, CA (US); **Daniel J. Coster**, San Francisco, CA (US); **Daniele De Iuliis**, San Francisco, CA (US); **Evans Hankey**, San Francisco, CA (US); **Richard P. Howarth**, San Francisco, CA (US); **Jonathan P. Ive**, San Francisco, CA (US); **Duncan Robert Kerr**, San Francisco, CA (US); **Shin Nishibori**, Portola Valley, CA (US); **Matthew Dean Rohrbach**, San Francisco, CA (US); **Peter Russell-Clarke**, San Francisco, CA (US); **Christopher J. Stringer**, Woodside, CA (US); **Eugene Antony Whang**, San Francisco, CA (US); **Rico Zorkendorfer**, San Francisco, CA (US)

(73) Assignee: **Apple Inc.**, Cupertino, CA (US)

(**) Term: **14 Years**

(21) Appl. No.: **29/403,241**

(22) Filed: **Oct. 3, 2011**

Related U.S. Application Data

(60) Continuation of application No. 29/383,469, filed on Jan. 18, 2011, now Pat. No. Des. 647,080, which is a division of application No. 29/354,598, filed on Jan. 26, 2010, now Pat. No. Des. 631,468, which is a continuation of application No. 29/353,321, filed on Jan. 6, 2010, now Pat. No. Des. 628,562.

(51) **LOC (9) Cl.** **14-02**

(52) **U.S. Cl.** **D14/217; D14/434**

(58) **Field of Classification Search** D14/142, D14/149, 155, 157, 188, 191-193, 203.1-203.8, D14/217, 251, 253, 432-435.1, 447, 451, D14/457, 460, 461, 474, 480.1-480.7, 496; D13/107, 108, 118; 248/221.11, 309.1; 320/107, 320/110, 113-115; 361/600; 439/529, 534; 455/556.1-556.2, 557

See application file for complete search history.

(56) **References Cited**

U.S. PATENT DOCUMENTS
D335,861 S 5/1993 Tattari
(Continued)

FOREIGN PATENT DOCUMENTS
KR 30-0392871 9/2005

OTHER PUBLICATIONS
Garrett, Chad, "Quick Review: Apple iPad Dock," TiPb.com, accessed at <http://www.tipd.com/2010/04/09/quick-review-ipad-dock/>, Apr. 9, 2010, 3 pages.

(Continued)

Primary Examiner — Stella Reid
Assistant Examiner — Keli L Hill
(74) *Attorney, Agent, or Firm* — Sterne, Kessler, Goldstein & Fox P.L.L.C.

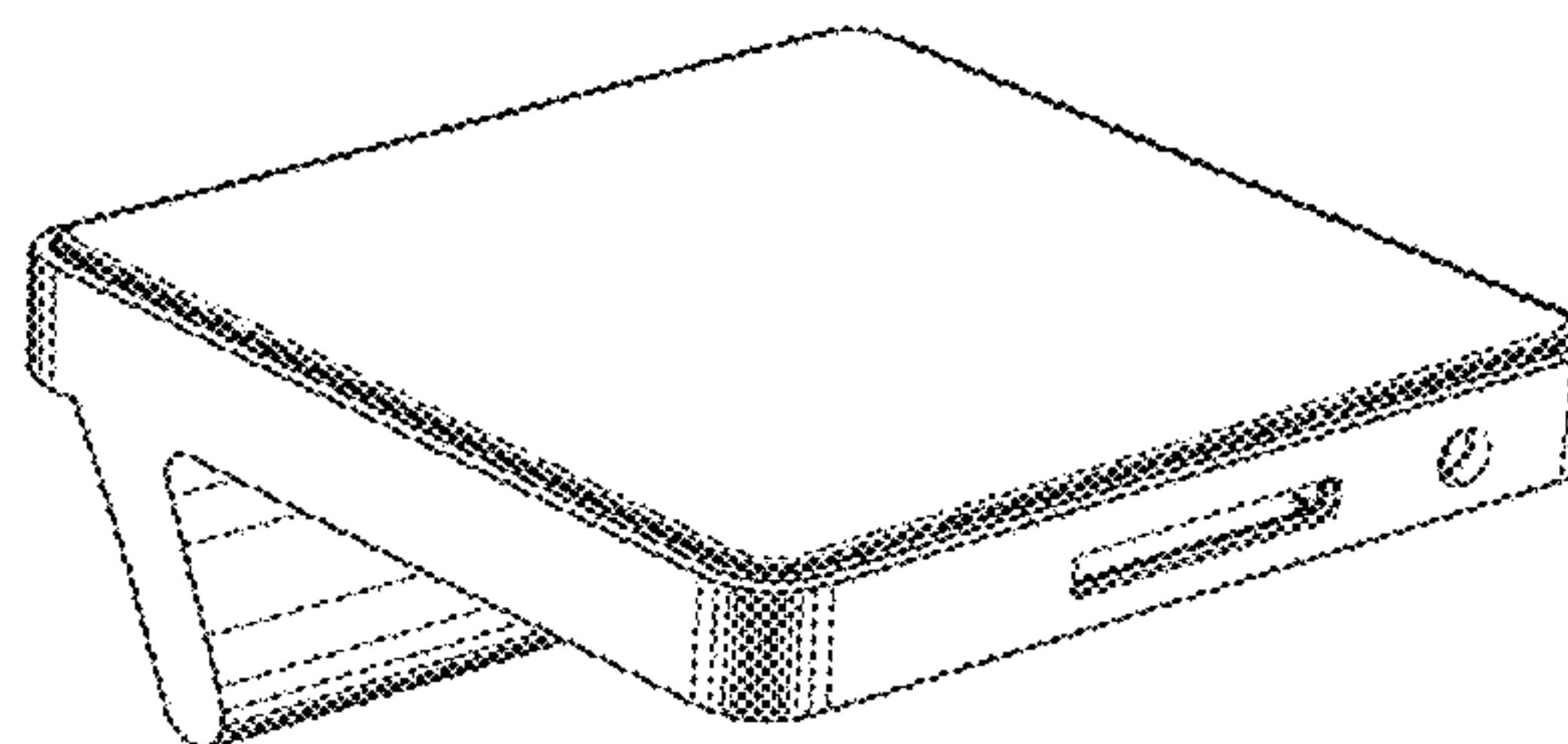
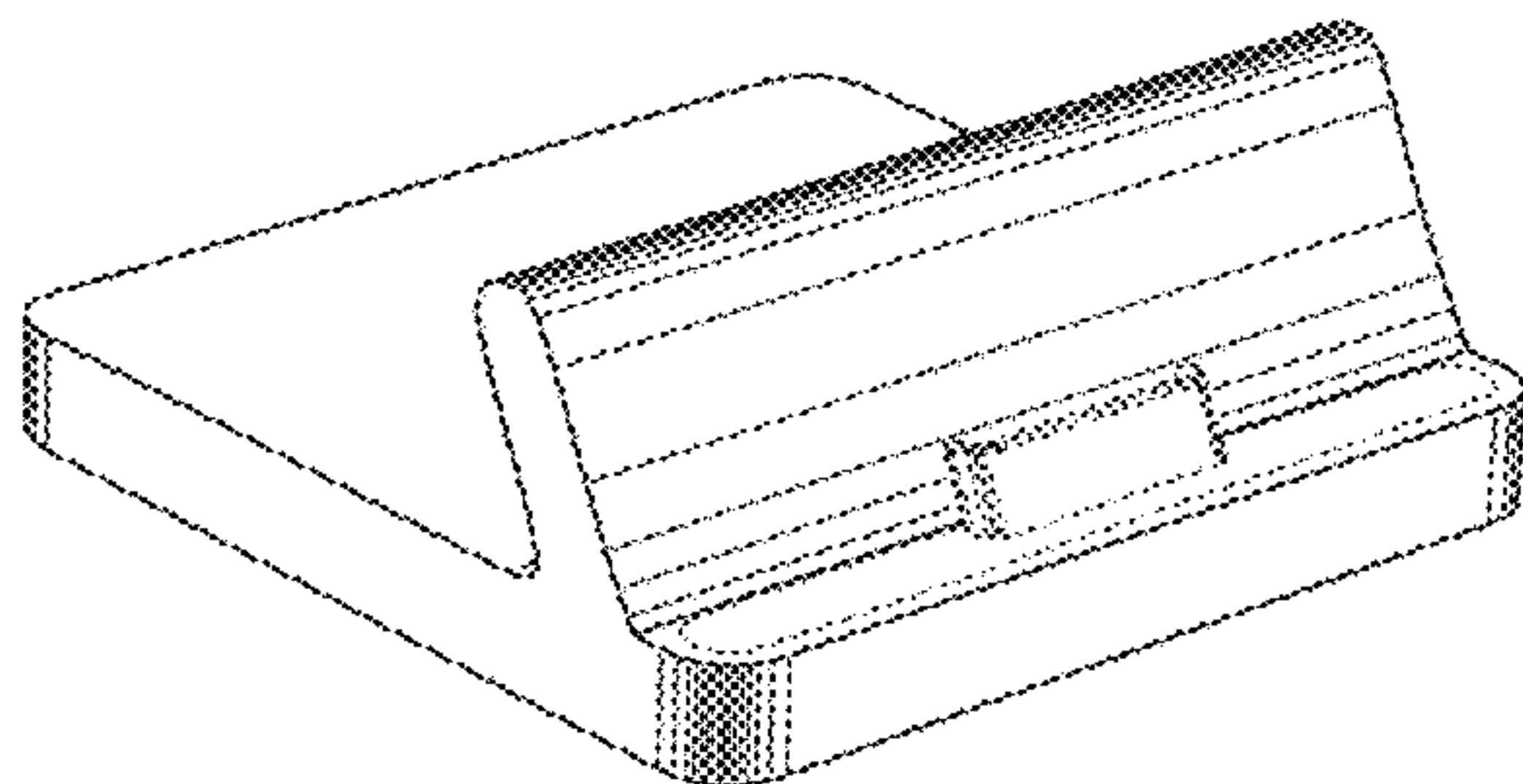
(57) **CLAIM**

The ornamental design for a docking station, as shown and described.

DESCRIPTION

FIG. 1 is a top front perspective view of a docking station showing our new design;
FIG. 2 is a top rear perspective view thereof;
FIG. 3 is a bottom front perspective view thereof;
FIG. 4 is a bottom rear perspective view thereof;
FIG. 5 is a top view thereof;
FIG. 6 is a bottom view thereof;
FIG. 7 is a front view thereof;
FIG. 8 is rear view thereof;
FIG. 9 is a side view thereof; and,
FIG. 10 is another side view thereof.
The shade lines in the Figures show contour and not surface ornamentation. The dashed broken lines in the figures show portions of the docking station which form no part of the claimed design.

1 Claim, 5 Drawing Sheets



US D662,083 S

Page 2

U.S. PATENT DOCUMENTS

6,031,924 A 2/2000 Etzel
D429,242 S 8/2000 Sun
D465,532 S 11/2002 Hussaini et al.
D472,900 S 4/2003 Matsumoto
D488,440 S 4/2004 Senda
D494,182 S 8/2004 Singer et al.
D507,526 S 7/2005 Ohta
D515,062 S 2/2006 Winebrenner et al.
D551,214 S 9/2007 Hussaini et al.
D551,658 S 9/2007 Hussaini et al.
D552,611 S 10/2007 Hagiwara et al.
D553,106 S 10/2007 Griffin
D579,917 S 11/2008 Marchand et al.
D584,731 S 1/2009 Montgomery et al.
D593,988 S 6/2009 Liu et al.
D599,801 S 9/2009 Skaf et al.
D607,879 S 1/2010 Ferber et al.
D608,351 S 1/2010 Song
D609,697 S 2/2010 Legrand et al.
D619,996 S 7/2010 Demskie et al.
D624,919 S 10/2010 Bull
D635,918 S 4/2011 Le et al.
D642,121 S 7/2011 Lee et al.

D642,519 S 8/2011 Woo et al.
D644,230 S * 8/2011 Lin D14/447
D644,645 S * 9/2011 Huang et al. D14/434
D645,867 S * 9/2011 Wong et al. D14/447
D646,268 S * 10/2011 DeLorenzo et al. D14/253
D647,080 S * 10/2011 Akana et al. D14/217
D647,520 S * 10/2011 Wikel D14/253
D647,525 S * 10/2011 Seto D14/434
D647,881 S * 11/2011 Warner D14/217
D648,325 S * 11/2011 Akana et al. D14/217
D648,707 S * 11/2011 Akana et al. D14/217
D649,137 S * 11/2011 DeVesto D14/217
D649,932 S * 12/2011 Symons D13/108
D651,213 S * 12/2011 Magness et al. D14/447
D652,834 S * 1/2012 Jones et al. D14/434
D653,666 S * 2/2012 Zhou D14/434
2010/0118485 A1 5/2010 Crooijmans et al.

OTHER PUBLICATIONS

Search Report for New Design Patnt [sic] Application No.
099302711, Taiwanese Patent Office, completed Jan. 20, 2011.

* cited by examiner

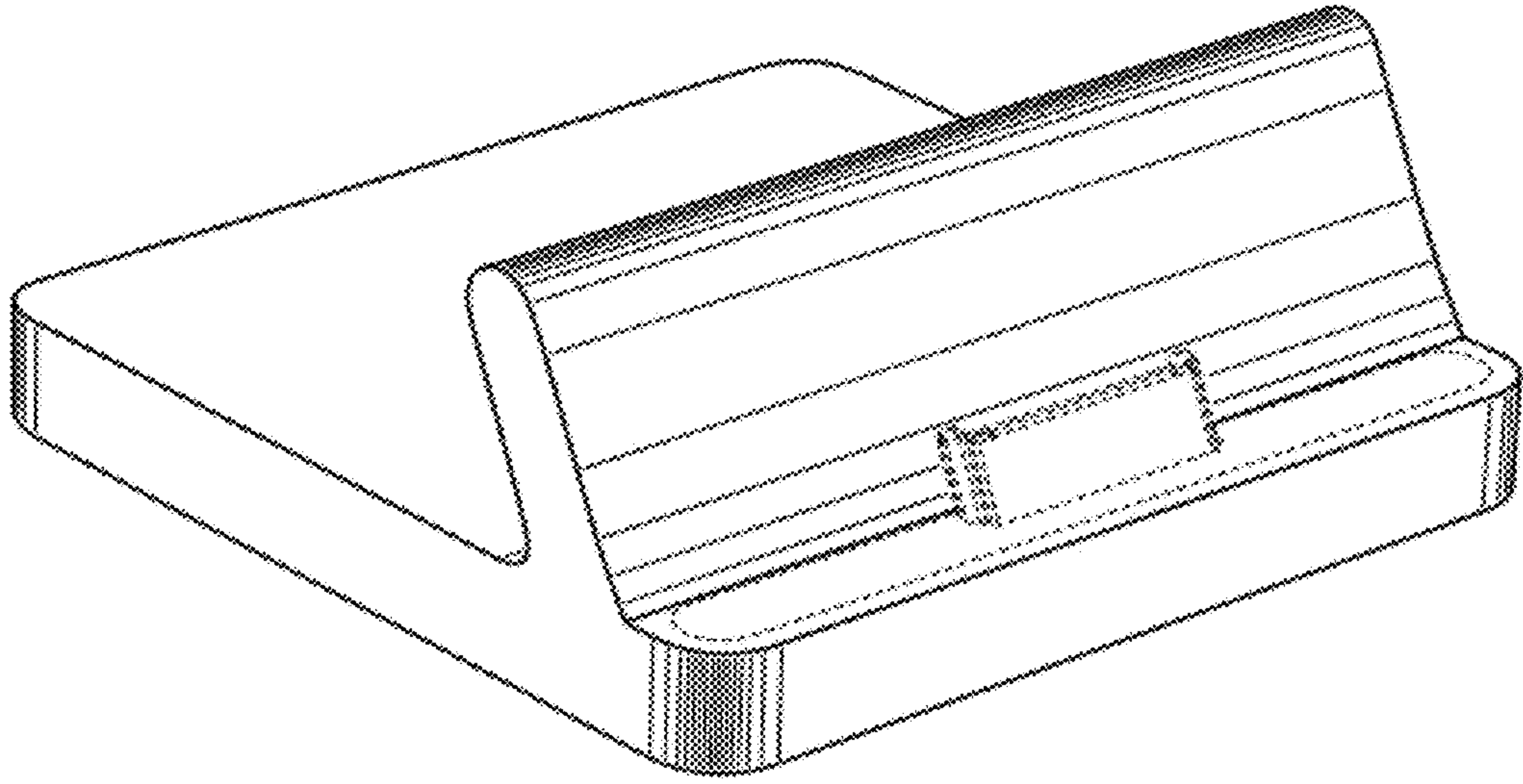


FIG. 1

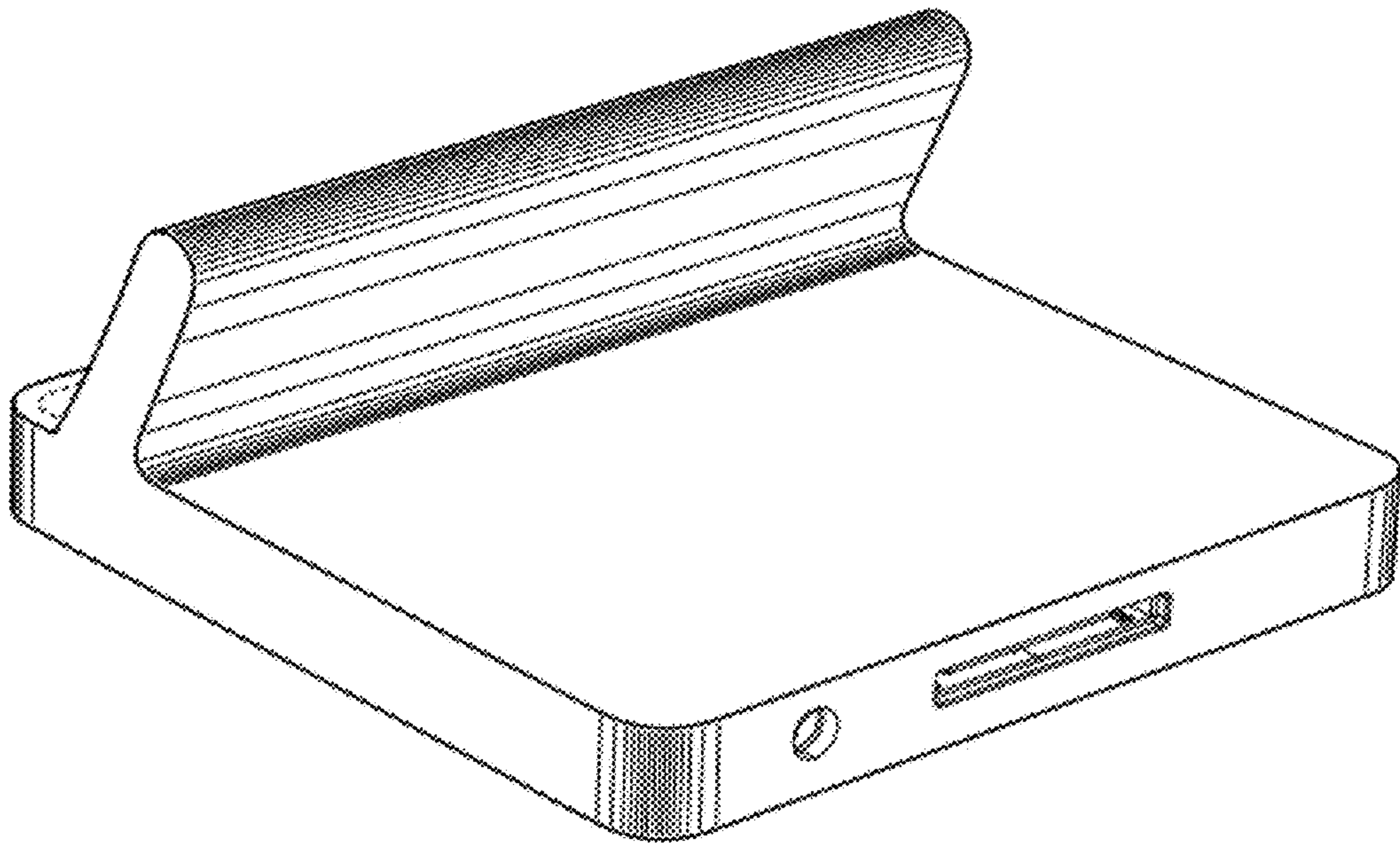


FIG. 2

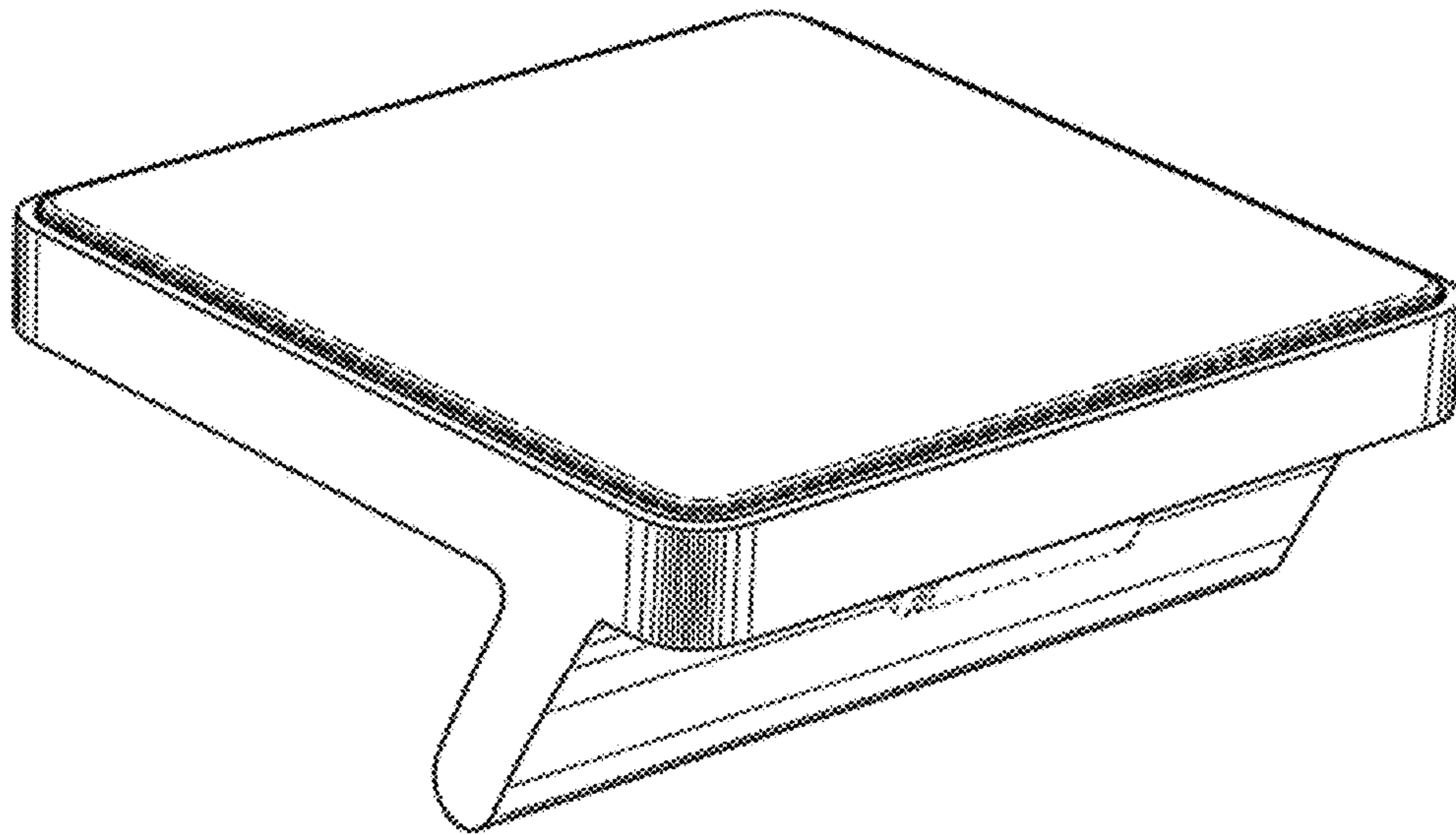


FIG. 3

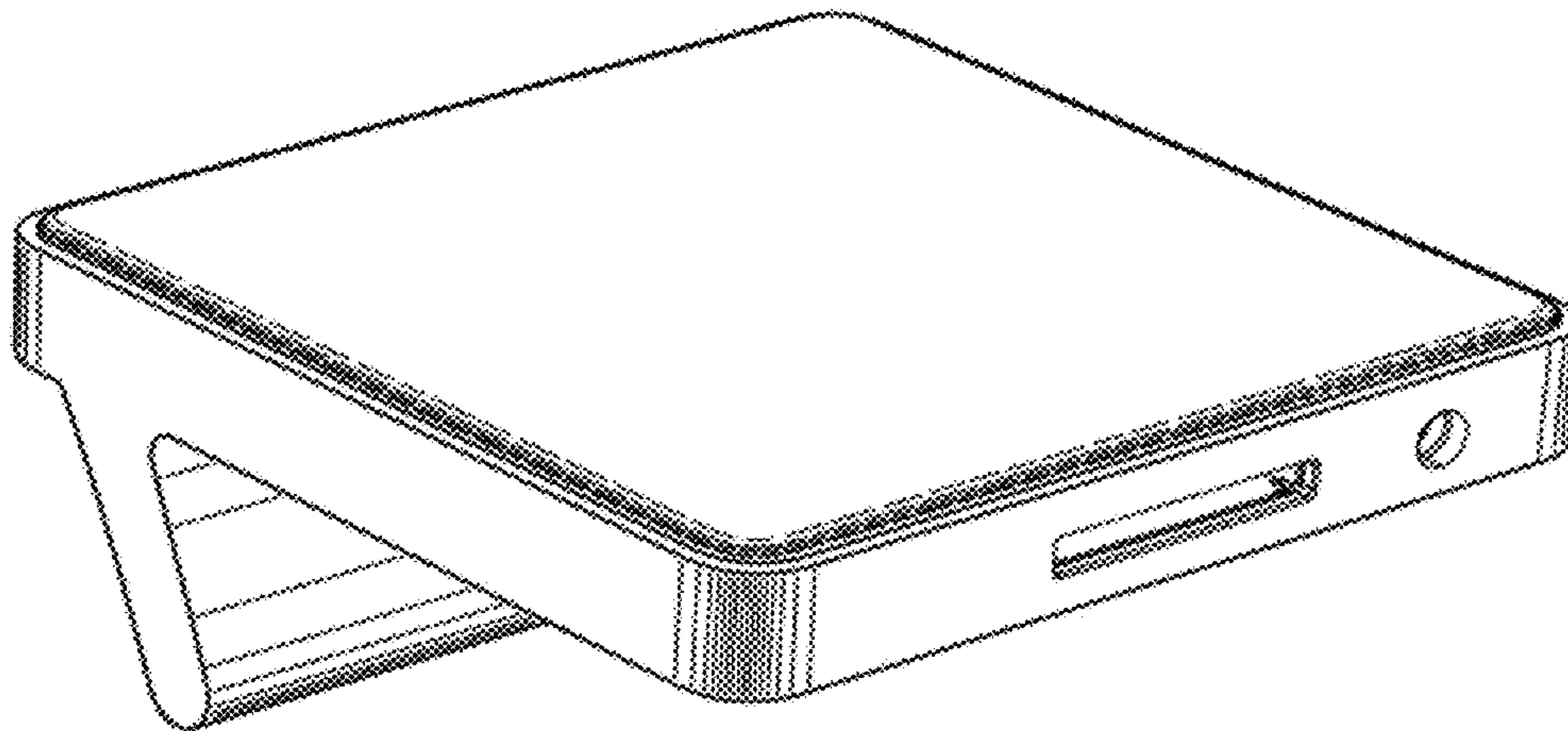


FIG. 4

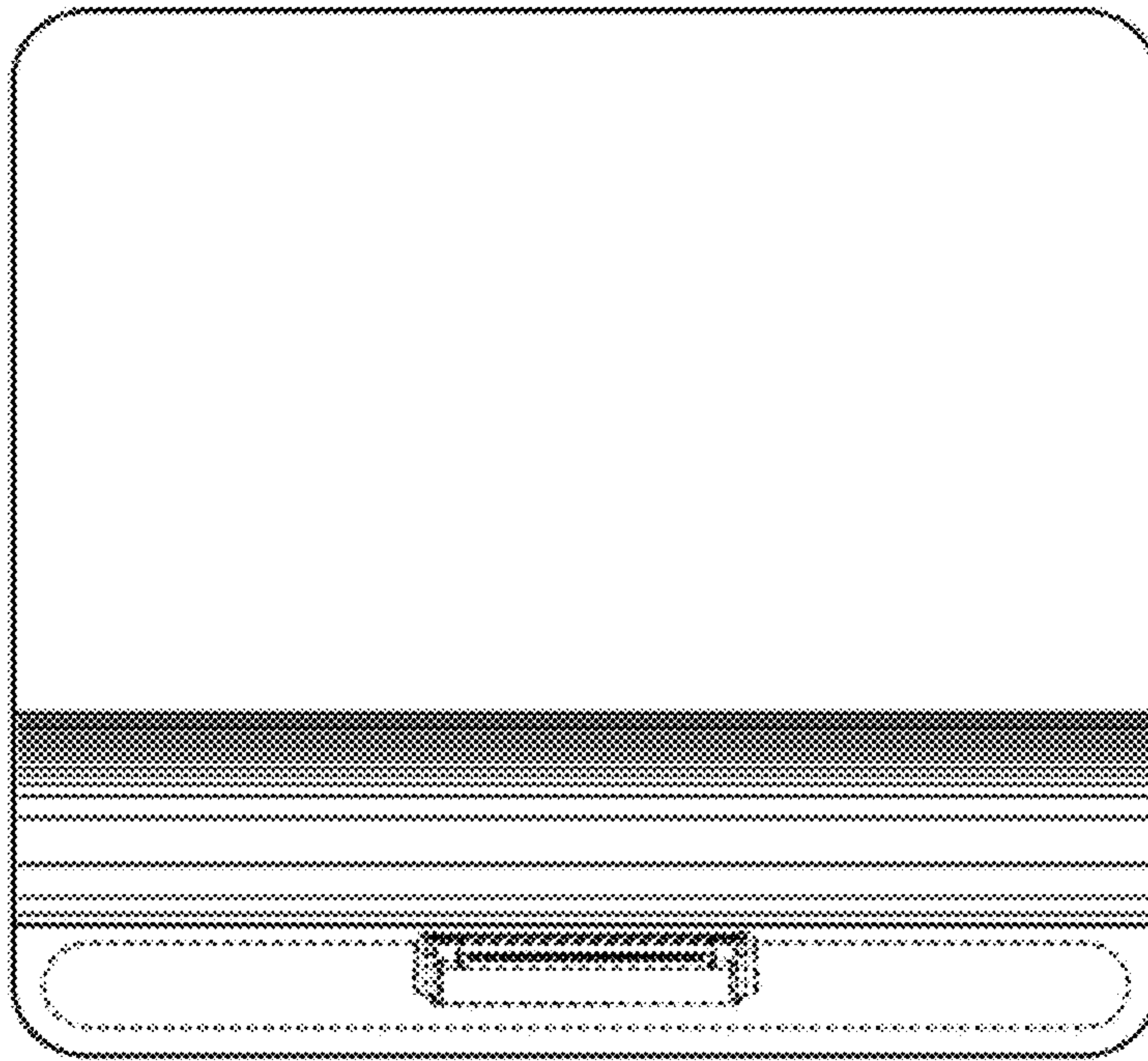


FIG. 5

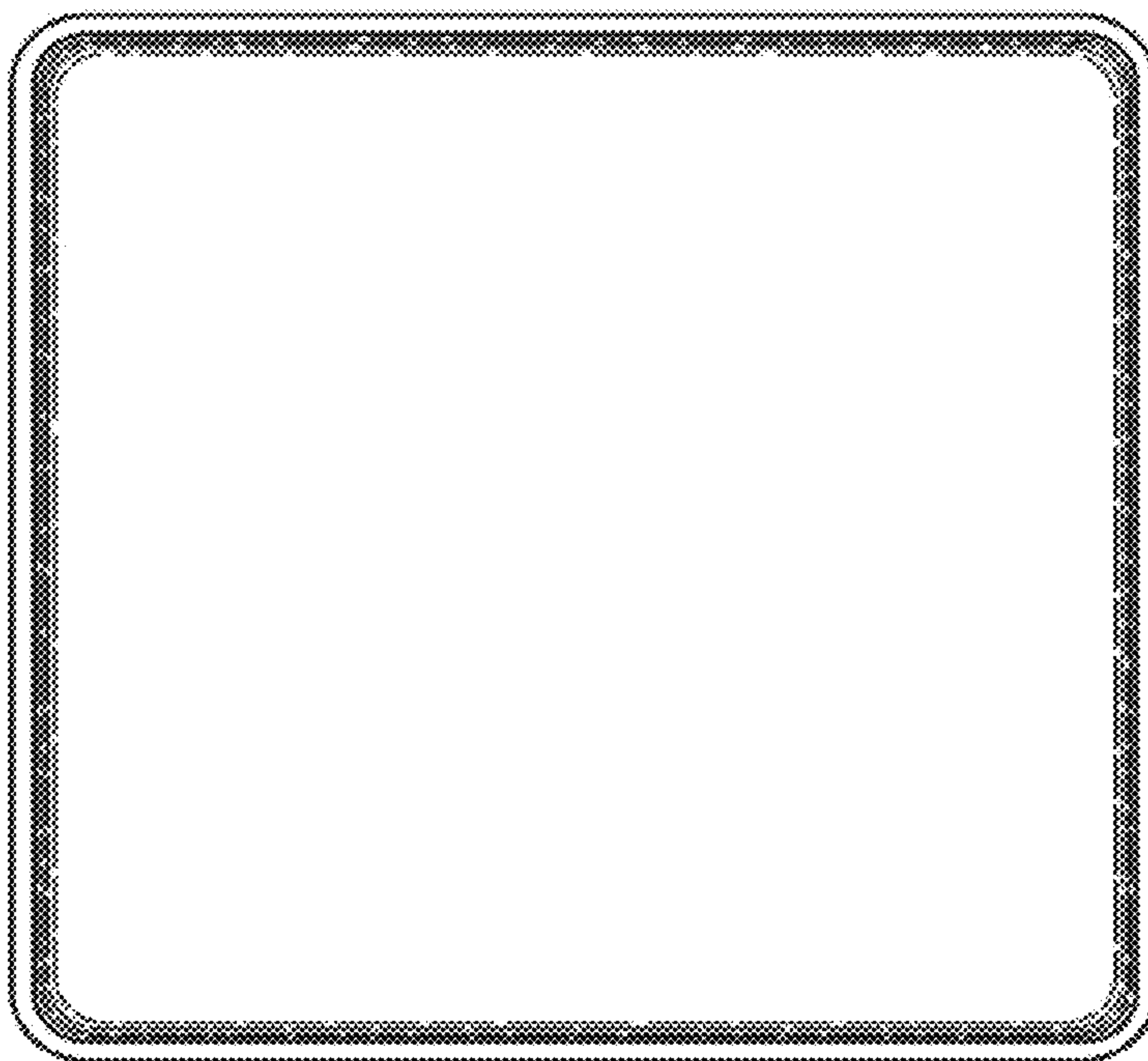


FIG. 6

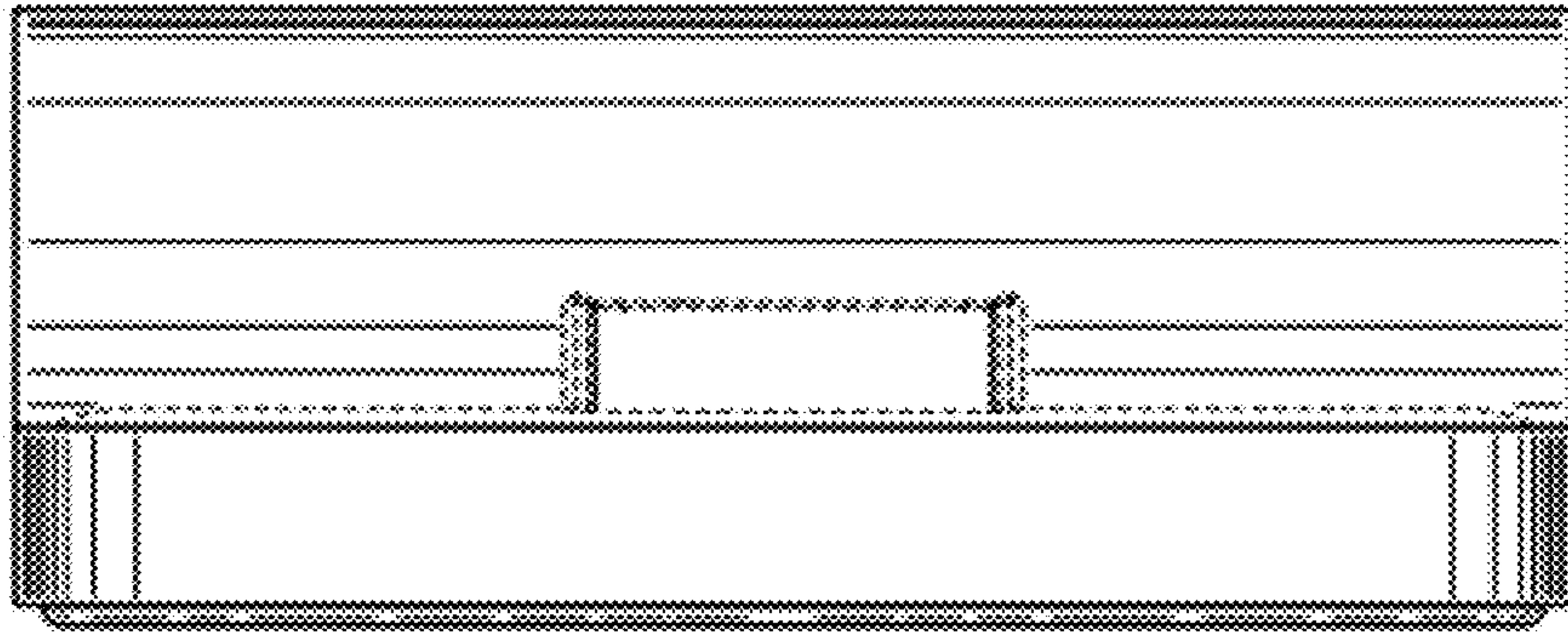


FIG. 7

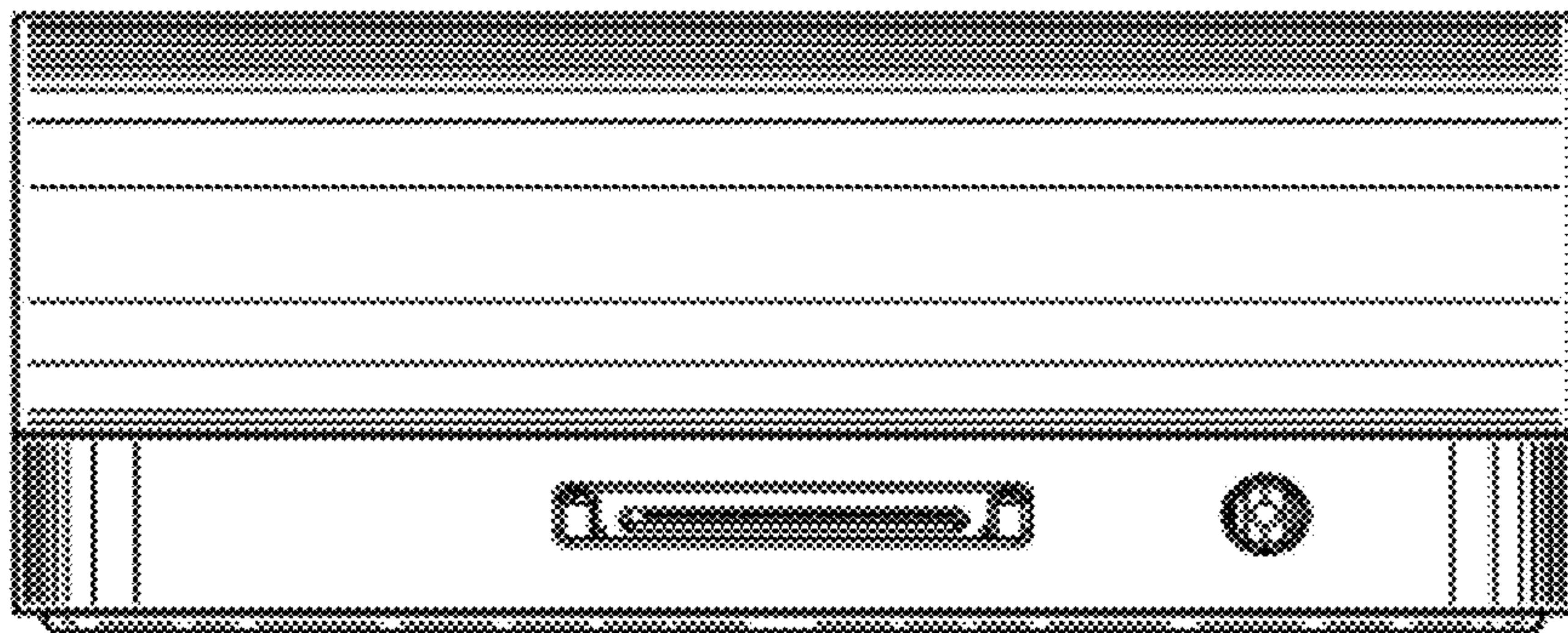


FIG. 8

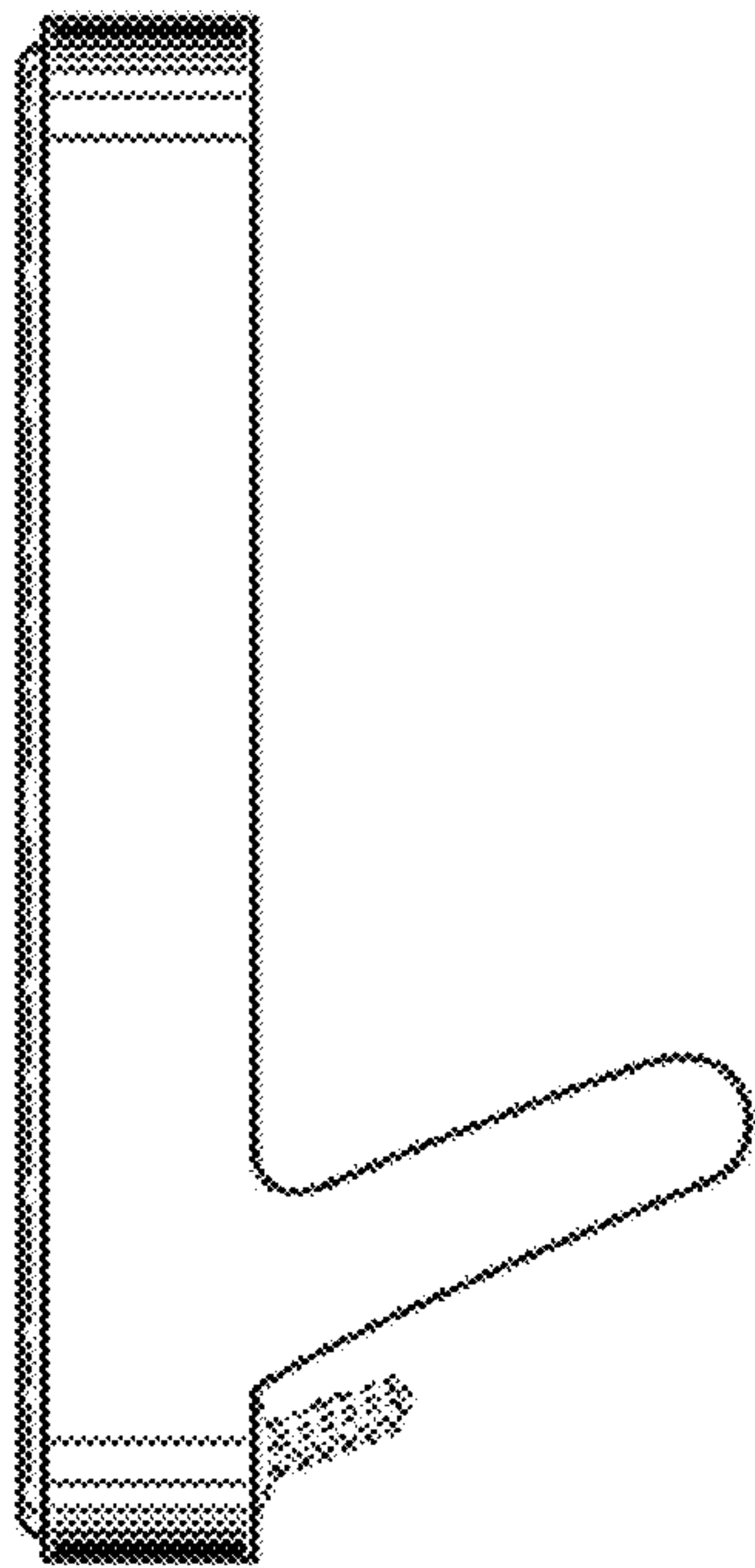


FIG. 9

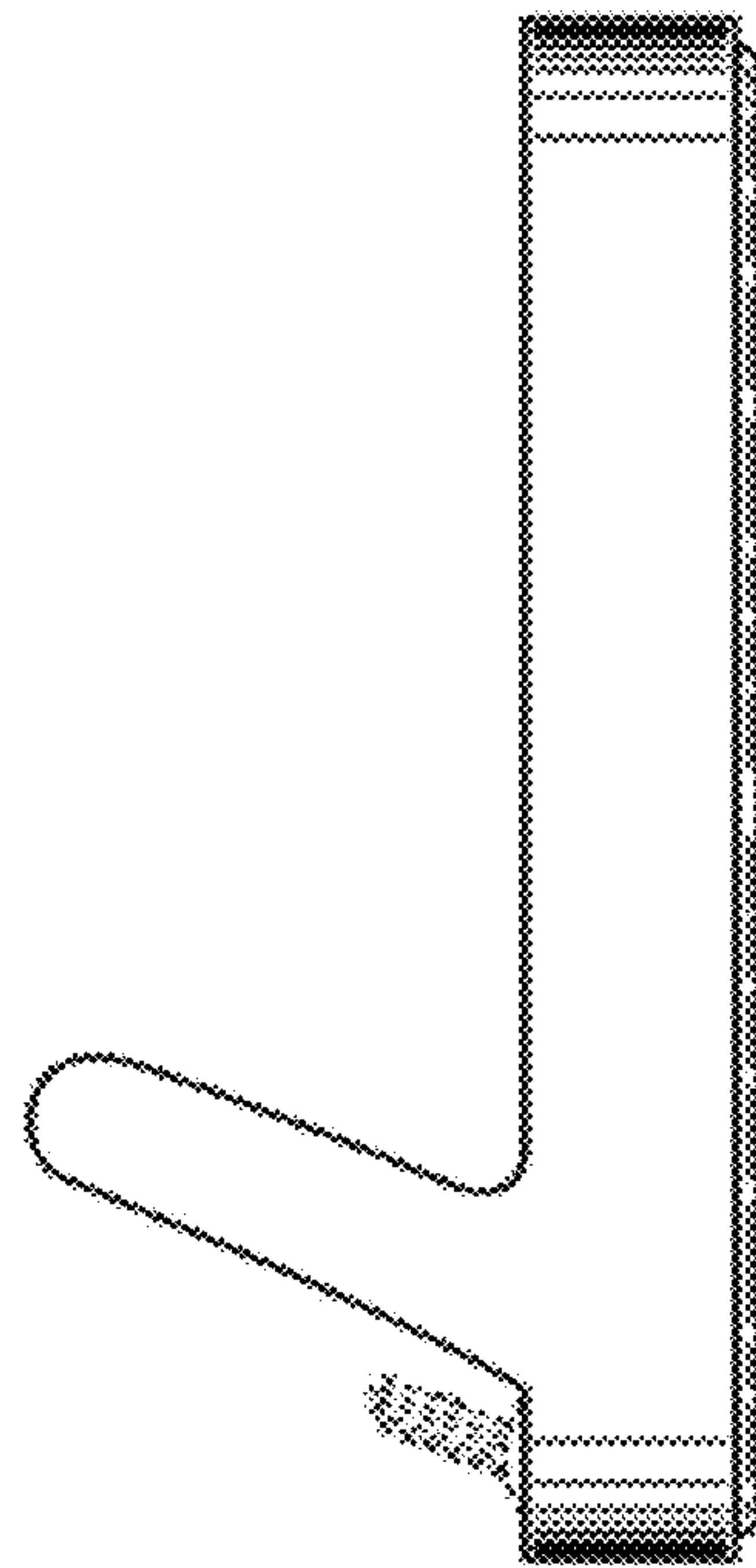


FIG. 10