

US00D662082S

(12) **United States Design Patent**  
**McManigal**

(10) **Patent No.:** **US D662,082 S**  
(45) **Date of Patent:** **\*\* Jun. 19, 2012**

(54) **PORTABLE DEVICE DOCKING STATION**

(75) Inventor: **Scott Paul McManigal**, Newport Beach, CA (US)

(73) Assignee: **Vizio Inc.**, Irvine, CA (US)

(\*\*) Term: **14 Years**

(21) Appl. No.: **29/379,718**

(22) Filed: **Nov. 23, 2010**

(51) **LOC (9) Cl.** ..... **14-03**

(52) **U.S. Cl.** ..... **D14/217**

(58) **Field of Classification Search** ..... D14/140, D14/142, 149, 155, 157, 188, 191-193, 203.1-203.8, D14/217, 240, 243, 251, 253, 432-435.1, D14/447, 451, 496, 474, 480.1-480.7; D13/107, D13/108, 118; 248/221.11, 309.1; 320/107, 320/110, 113-115; 361/600; 439/529, 534; 455/556.1-556.2, 557

See application file for complete search history.

(56) **References Cited**

**U.S. PATENT DOCUMENTS**

D420,671 S *	2/2000	Jacobsen et al.	.....	D14/240
D507,526 S *	7/2005	Ohta	.....	D13/108
D537,807 S *	3/2007	Griffin et al.	.....	D14/155
D553,106 S *	10/2007	Griffin et al.	.....	D14/434
D554,107 S *	10/2007	Calco et al.	.....	D14/217
D594,849 S *	6/2009	Ko	.....	D14/217

D606,545 S *	12/2009	Salmon	.....	D14/434
D611,930 S *	3/2010	Cho et al.	.....	D14/209.1
D637,583 S *	5/2011	Beal et al.	.....	D14/217
D637,952 S *	5/2011	Tan	.....	D13/108
D638,019 S *	5/2011	Weisshaupt	.....	D14/434

\* cited by examiner

*Primary Examiner* — Stella Reid

*Assistant Examiner* — Keli L. Hill

(74) *Attorney, Agent, or Firm* — Law Office of Scott C. Harris, Inc.

(57) **CLAIM**

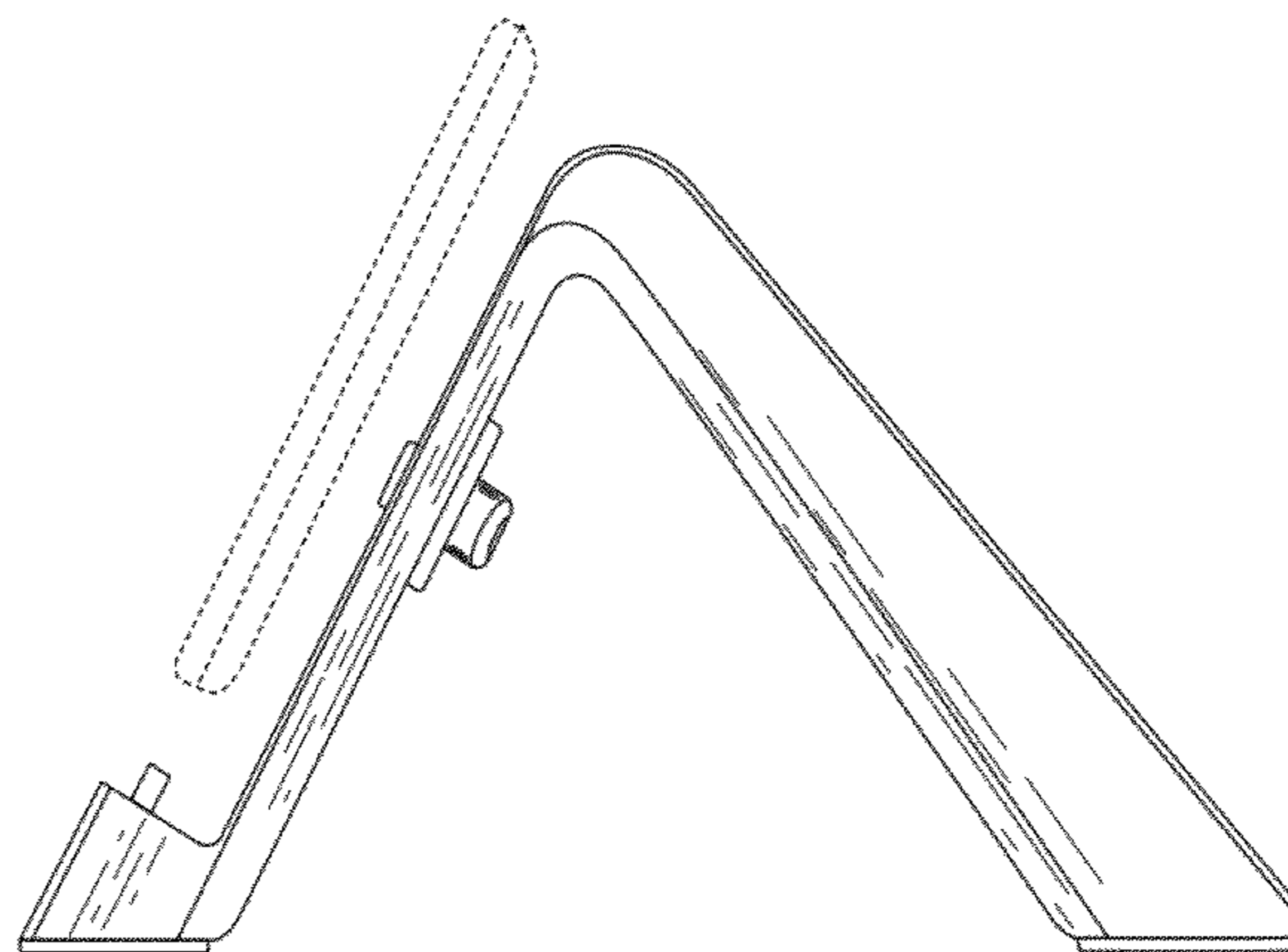
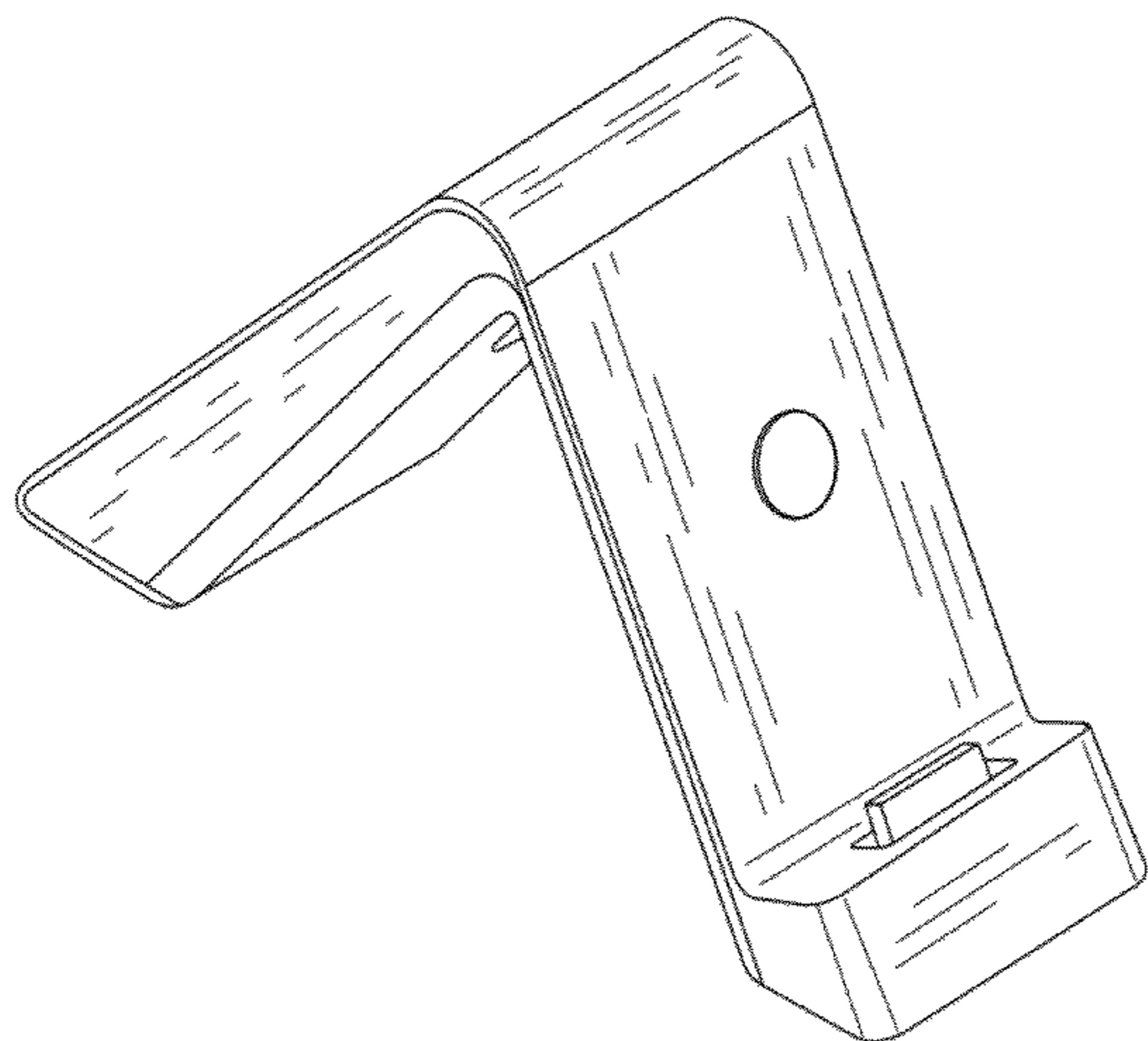
I claim the ornamental design for a portable device docking station, as shown and described.

**DESCRIPTION**

FIG. 1 is a front perspective view of the portable device docking station showing my novel design; FIG. 2 is a right side view thereof; FIG. 3 is a left side view thereof; FIG. 4 is a front view thereof; FIG. 5 is a rear view thereof; FIG. 6 is a bottom view thereof; and, FIG. 7 is a top view thereof.

The broken lines depicting a portable device such as a cellular phone in FIGS. 2 and 3 and are for illustrative purposes only and form no part of the claimed design.

**1 Claim, 7 Drawing Sheets**



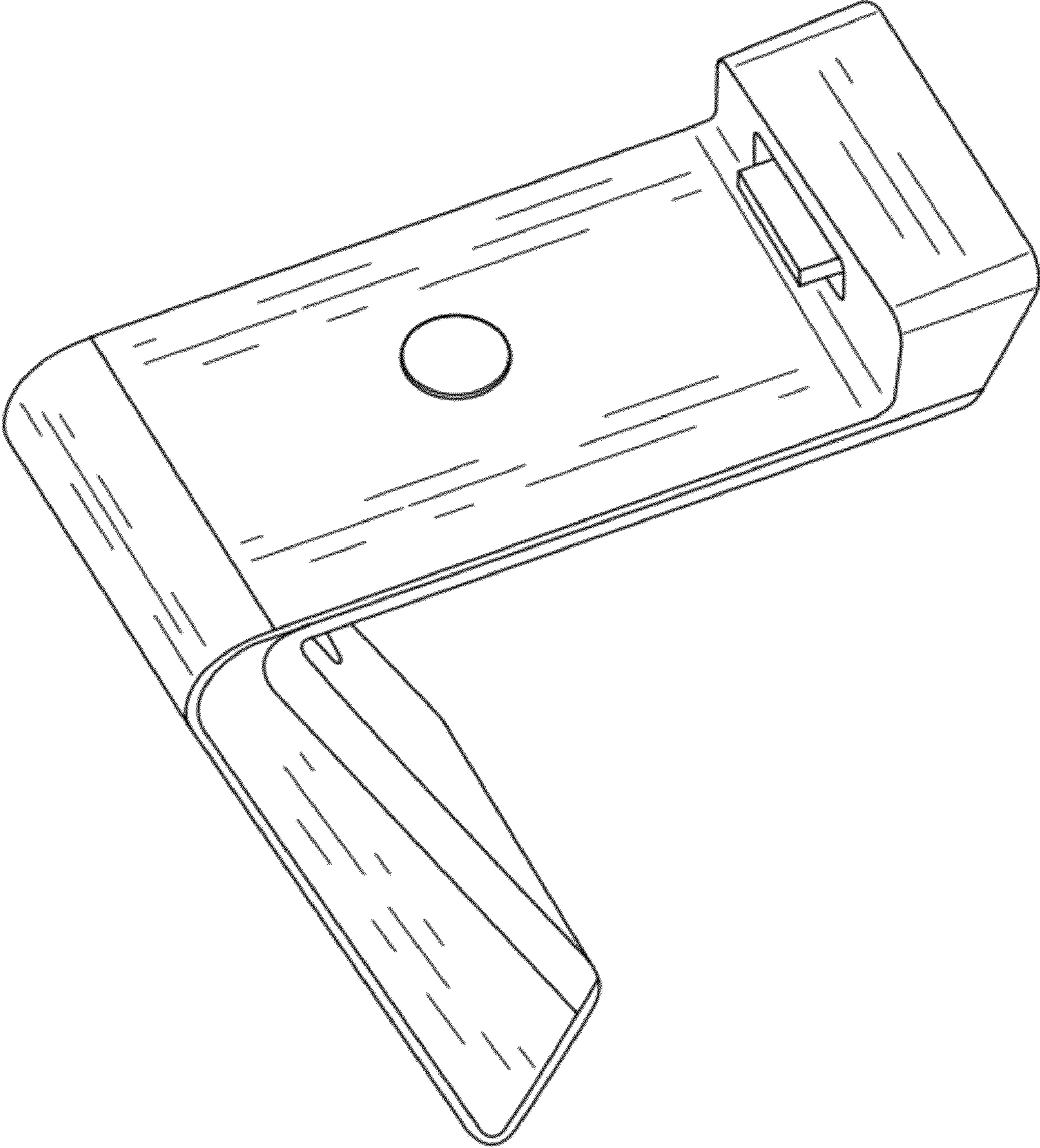


FIG. 1

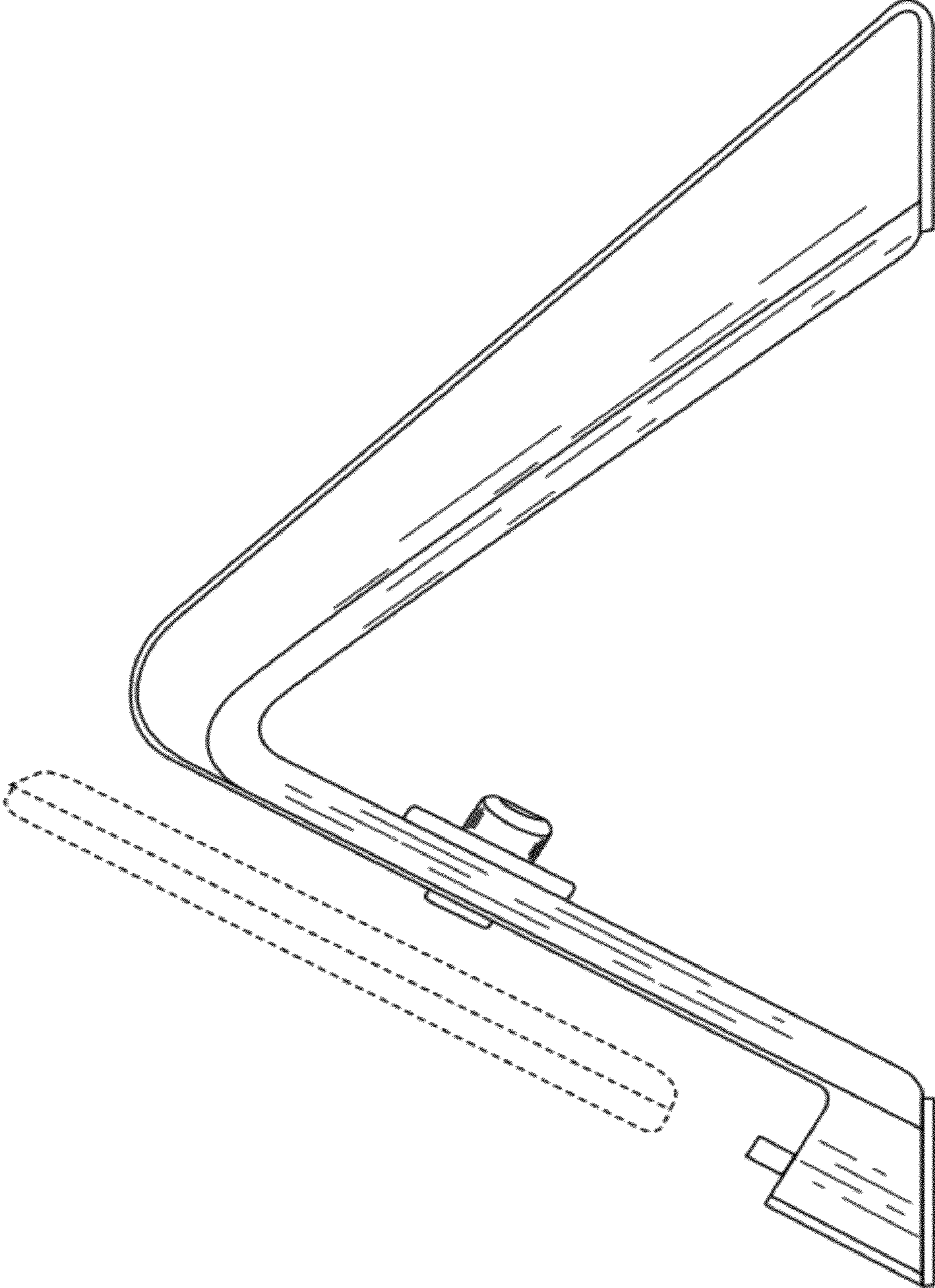


FIG. 2



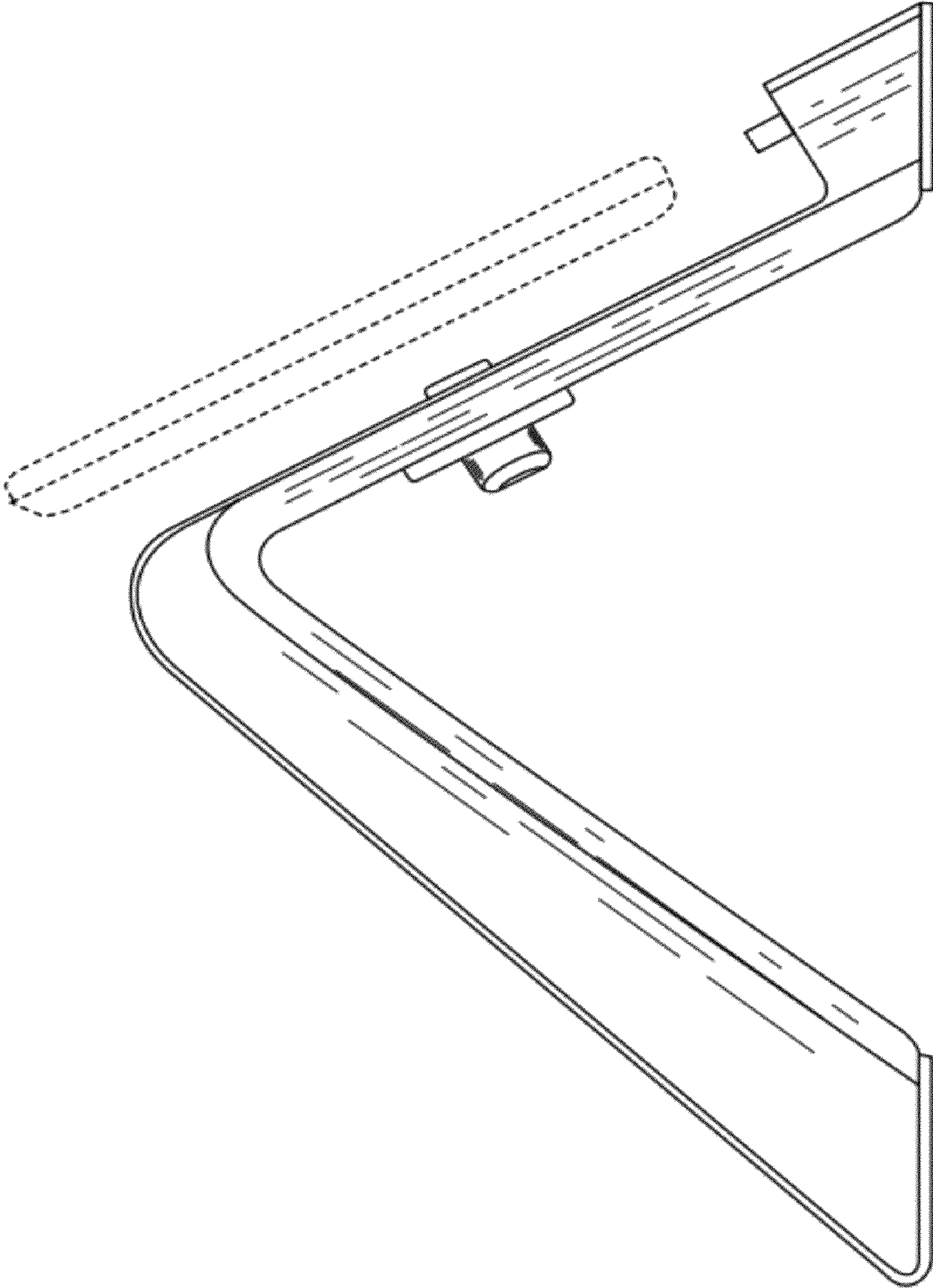
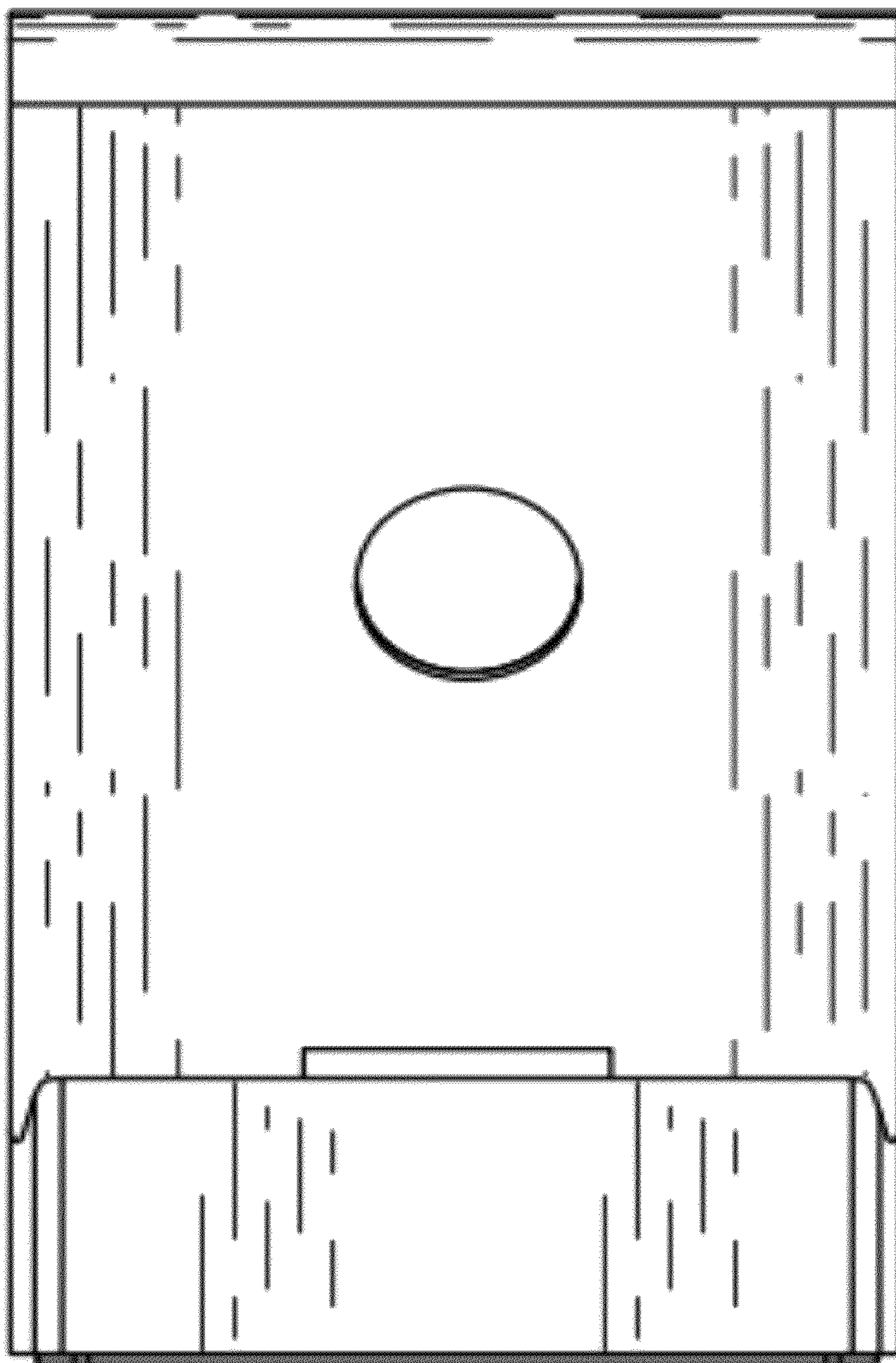
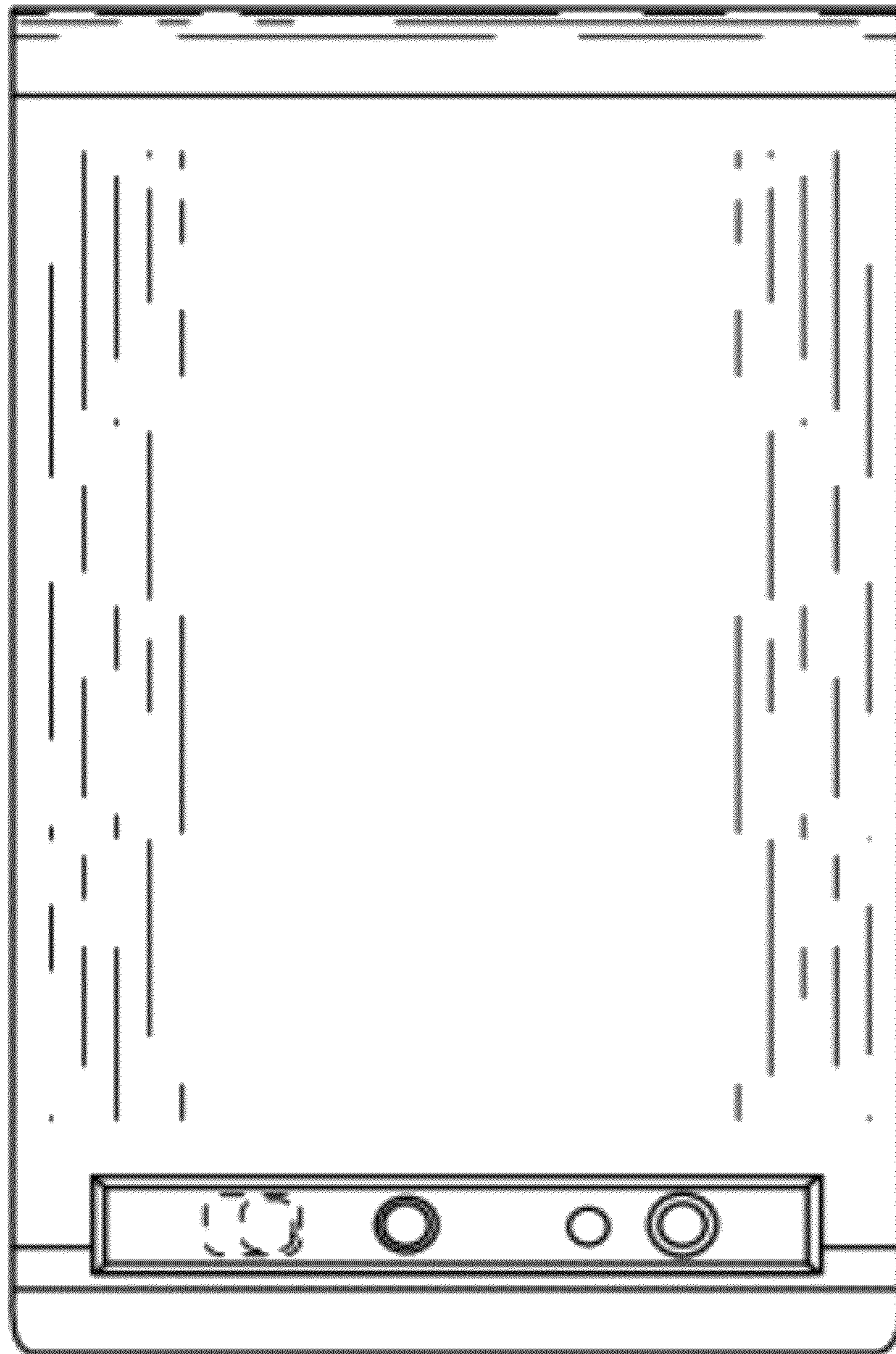


FIG. 3



**FIG. 4**





**FIG. 5**

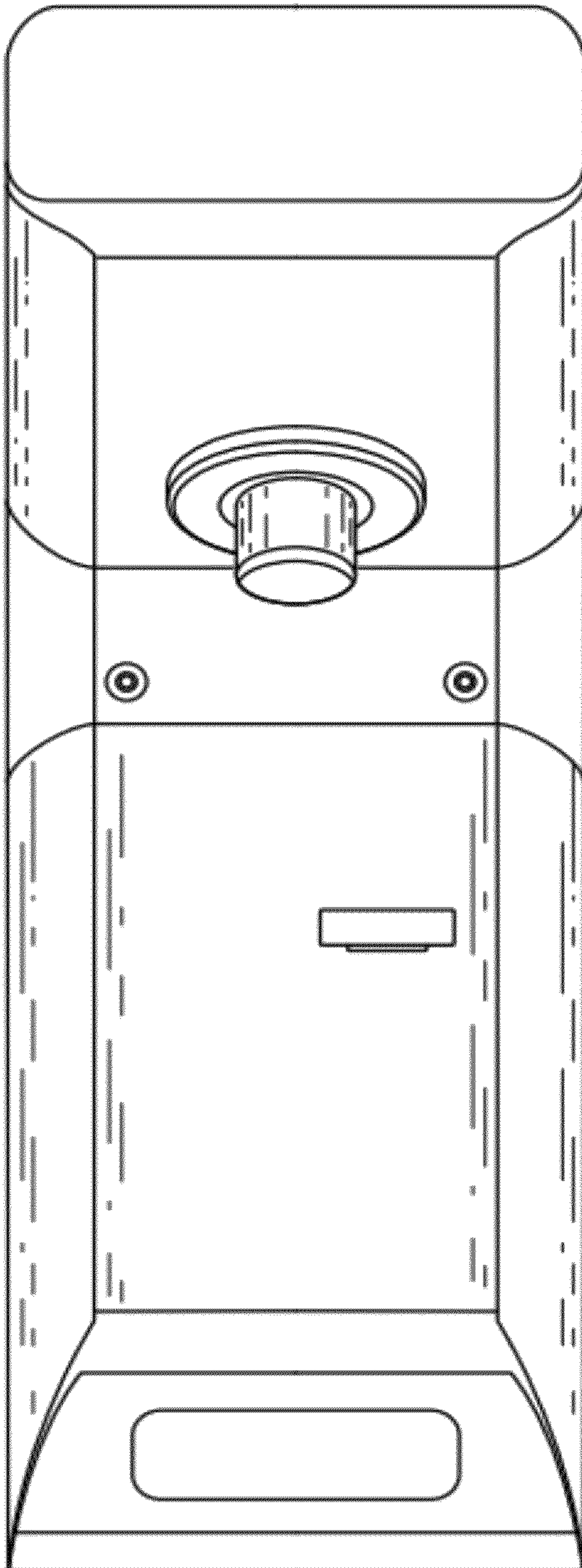


FIG. 6



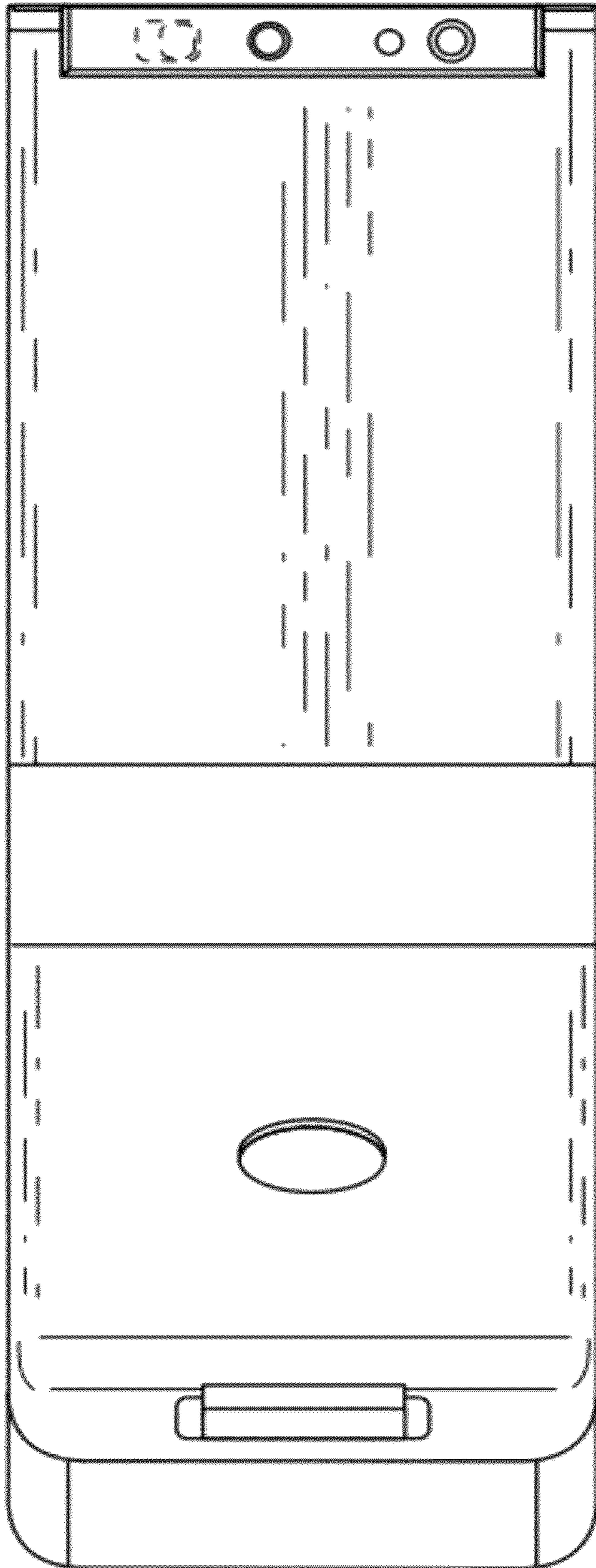


FIG. 7