

US00D662080S

(12) **United States Design Patent**
Carr et al.

(10) **Patent No.:** **US D662,080 S**
(45) **Date of Patent:** **** Jun. 19, 2012**

(54) **HEADSET**

(75) Inventors: **Adam A. Carr**, Marlborough, MA (US);
Kevin M. Krauss, Maynard, MA (US);
Michael E. Laude, Upton, MA (US);
Nathan David Schaal, Cambridge, MA
(US); **Julie E. Tierney**, Shrewsbury, MA
(US); **Jonathan D. Turner**, Natick, MA
(US)

(73) Assignee: **Bose Corporation**, Framingham, MA
(US)

(**) Term: **14 Years**

(21) Appl. No.: **29/402,138**

(22) Filed: **Sep. 21, 2011**

(51) **LOC (9) Cl.** **14-01**

(52) **U.S. Cl.** **D14/205**

(58) **Field of Classification Search** D14/205,
D14/206, 223, 188, 192; 181/129, 130, 135;
379/430, 431; 381/380, 381, 384, 378, 379;
D29/112; 2/423; 455/575.1, 575.2
See application file for complete search history.

D538,261	S	3/2007	Taylor et al.	
D541,255	S	4/2007	Taylor et al.	
D558,735	S *	1/2008	Carr et al.	D14/206
D573,581	S *	7/2008	Gondo et al.	D14/205
7,412,070	B2	8/2008	Kleinschmidt et al.	
D582,389	S *	12/2008	Bose et al.	D14/205
D582,889	S *	12/2008	Bose et al.	D14/205
D585,871	S	2/2009	Lee	
D585,872	S *	2/2009	Lee	D14/205
D588,098	S	3/2009	Kurihara	
D593,995	S *	6/2009	Shimizu	D14/205
D594,847	S	6/2009	Suzuki	
D600,674	S *	9/2009	Brennwald	D14/205
D616,865	S *	6/2010	Marchand et al.	D14/205
D634,732	S *	3/2011	Kondo et al.	D14/205
D641,727	S *	7/2011	Krauss et al.	D14/206
D641,737	S *	7/2011	Krauss et al.	D14/223
D642,554	S *	8/2011	Schaal et al.	D14/205
D645,456	S *	9/2011	Carr et al.	D14/223
D645,547	S *	9/2011	Lombardi et al.	D23/262
8,098,872	B2 *	1/2012	Chang	381/371

* cited by examiner

Primary Examiner — Paula Greene

(74) *Attorney, Agent, or Firm* — Bose Corporation

(57) **CLAIM**

The ornamental design for a headset, substantially as shown and described.

(56) **References Cited**

U.S. PATENT DOCUMENTS

3,272,926	A	9/1966	Falkenberg	
3,454,964	A	7/1969	Brinkhoff	
3,787,899	A	1/1974	Krawagna	
3,815,155	A	6/1974	Davison et al.	
D337,115	S	7/1993	Yamazaki et al.	
D353,817	S	12/1994	Wada	
5,640,458	A	6/1997	Nishiguchi et al.	
D476,639	S	7/2003	Bergeron et al.	
6,654,966	B2 *	12/2003	Rolla	2/209
D491,163	S	6/2004	Green	
D512,708	S *	12/2005	Harris et al.	D14/205
7,020,902	B1	4/2006	Tyler	

DESCRIPTION

FIG. 1 is a perspective view of a headset as seen from the front, top and right side;
FIG. 2 is a front view thereof;
FIG. 3 is a back view thereof;
FIG. 4 is a left side view thereof;
FIG. 5 is a right side view thereof;
FIG. 6 is a top view thereof; and,
FIG. 7 is a bottom view thereof.
The broken lines form no part of the claimed design.

1 Claim, 5 Drawing Sheets

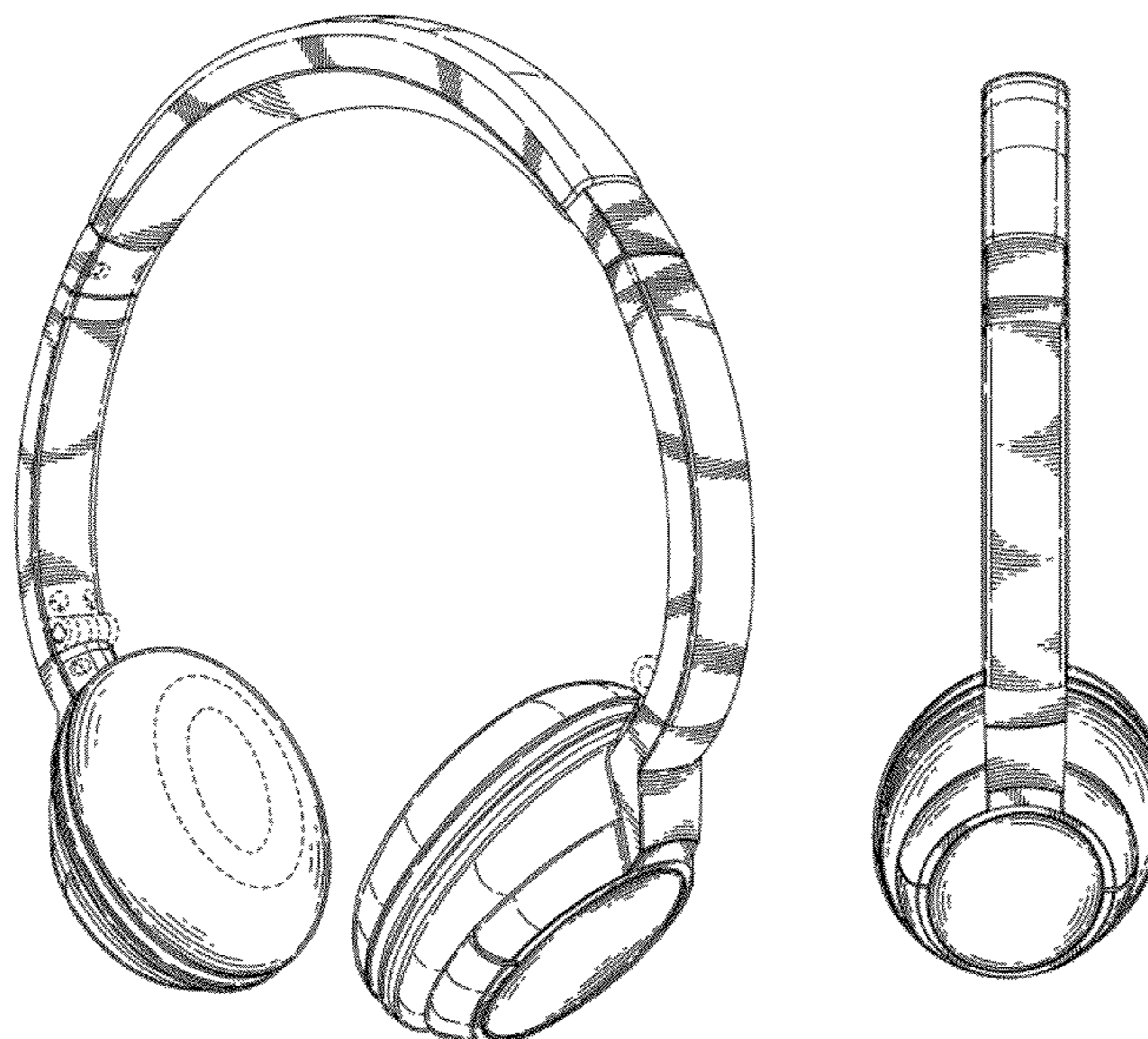




FIG. 1

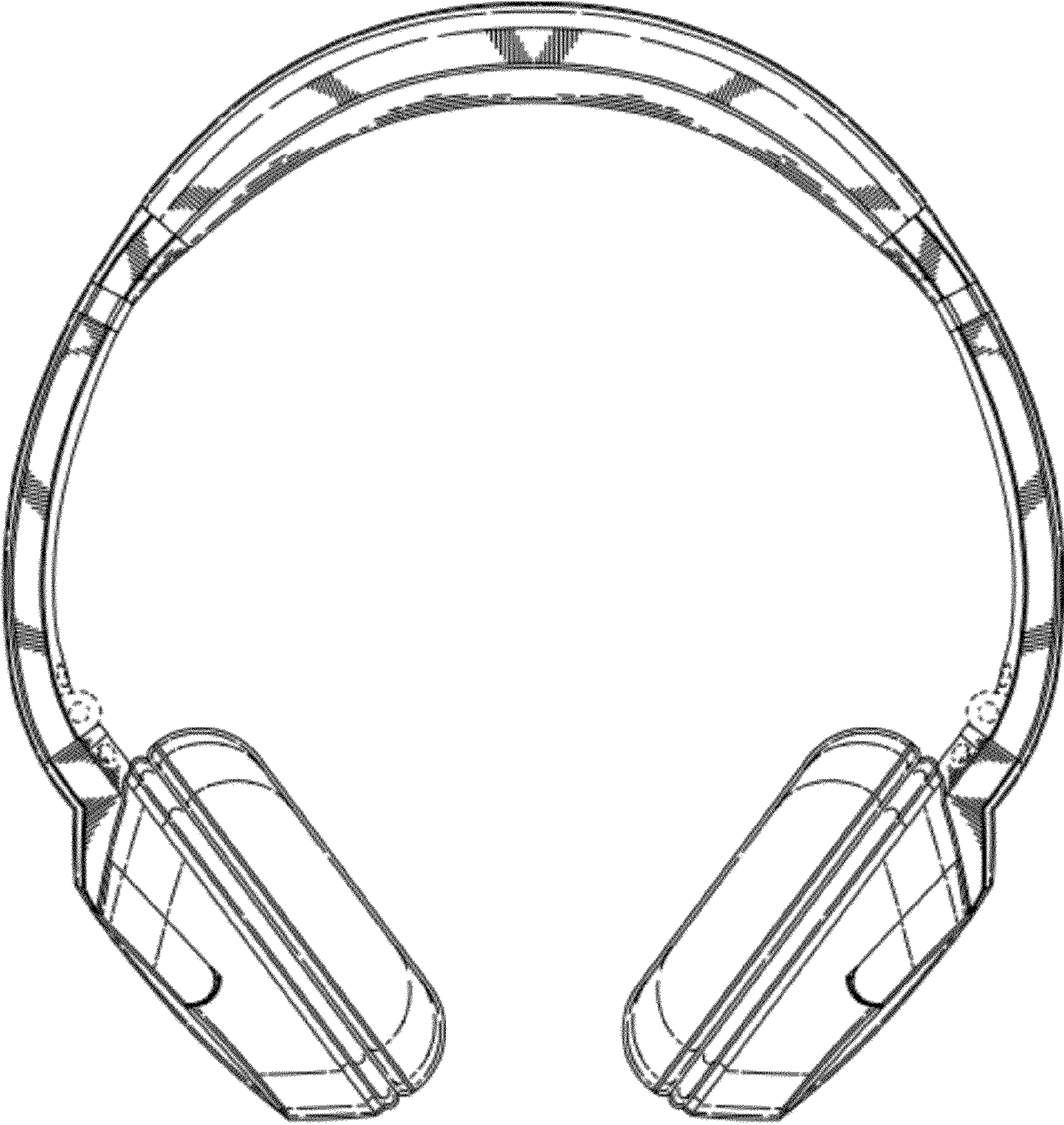


FIG. 2



FIG. 3

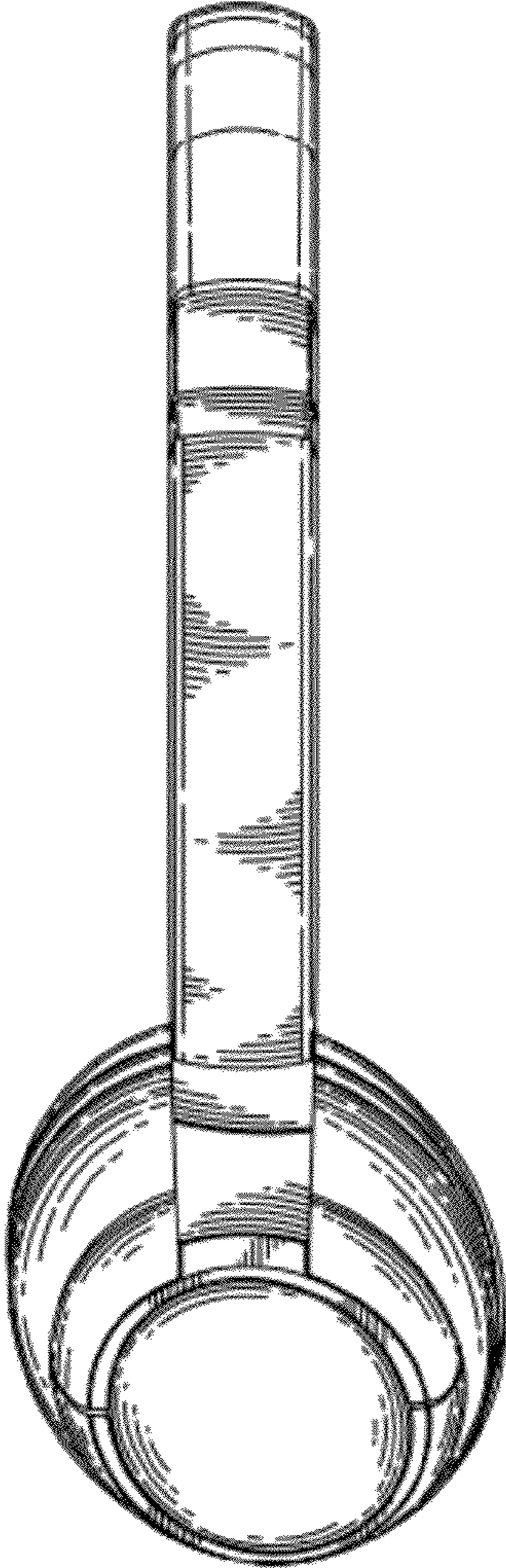


FIG. 4

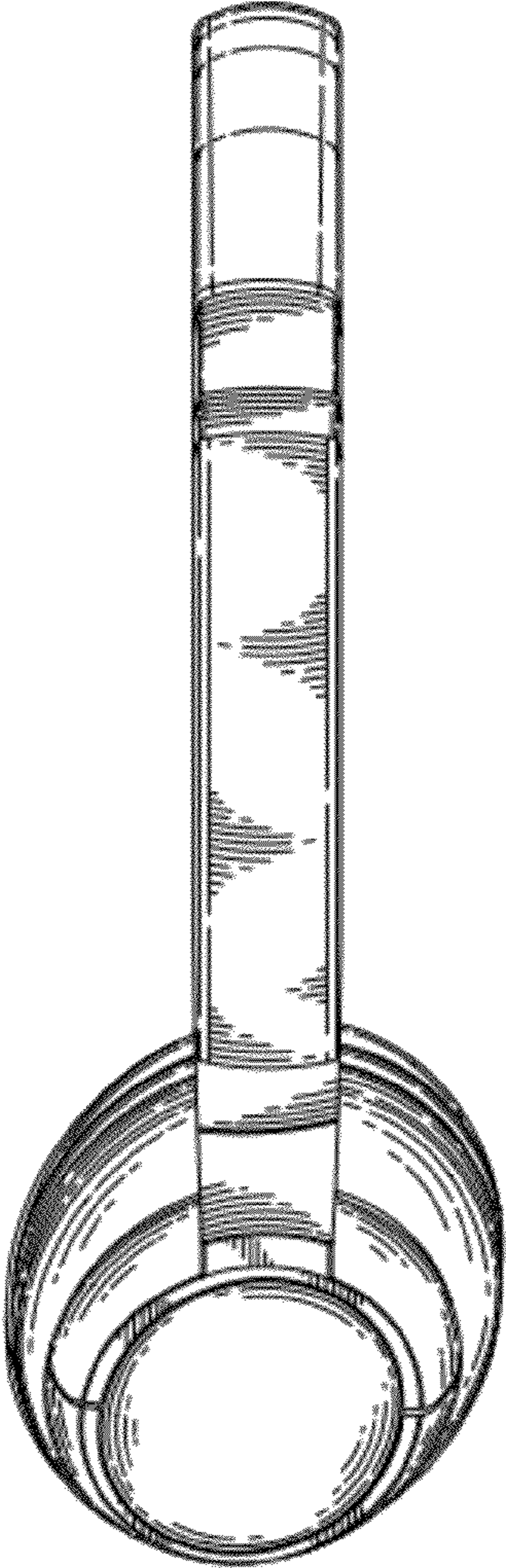


FIG. 5

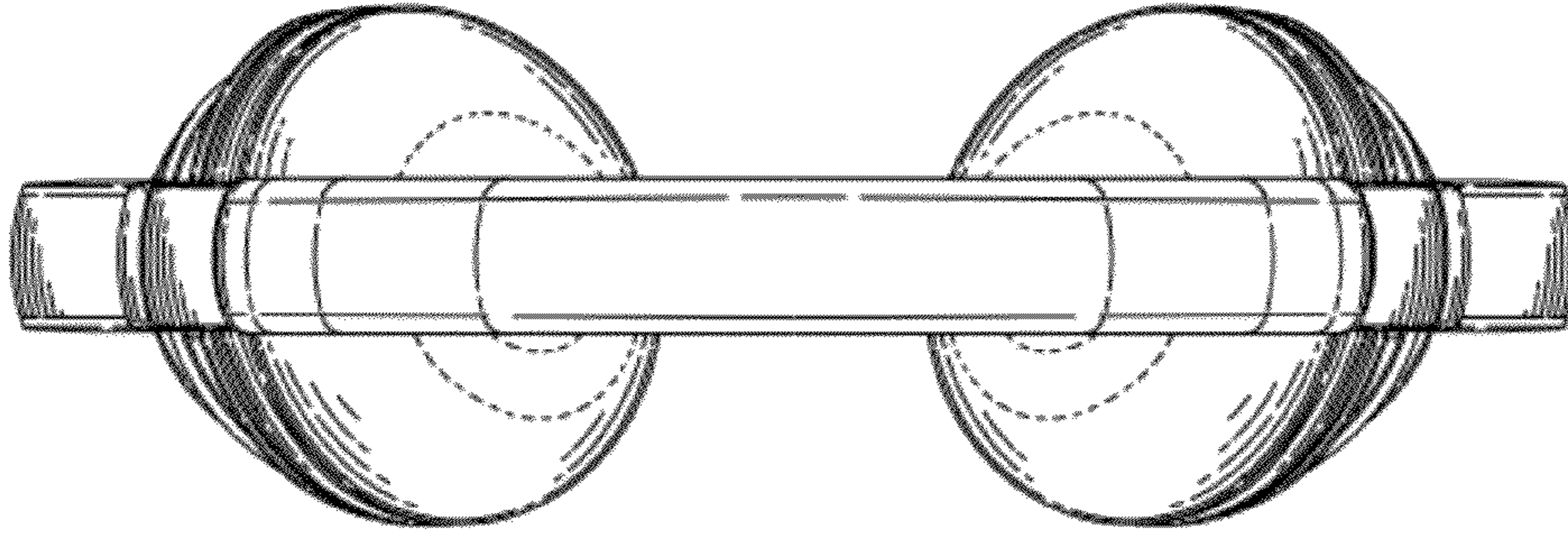


FIG. 6

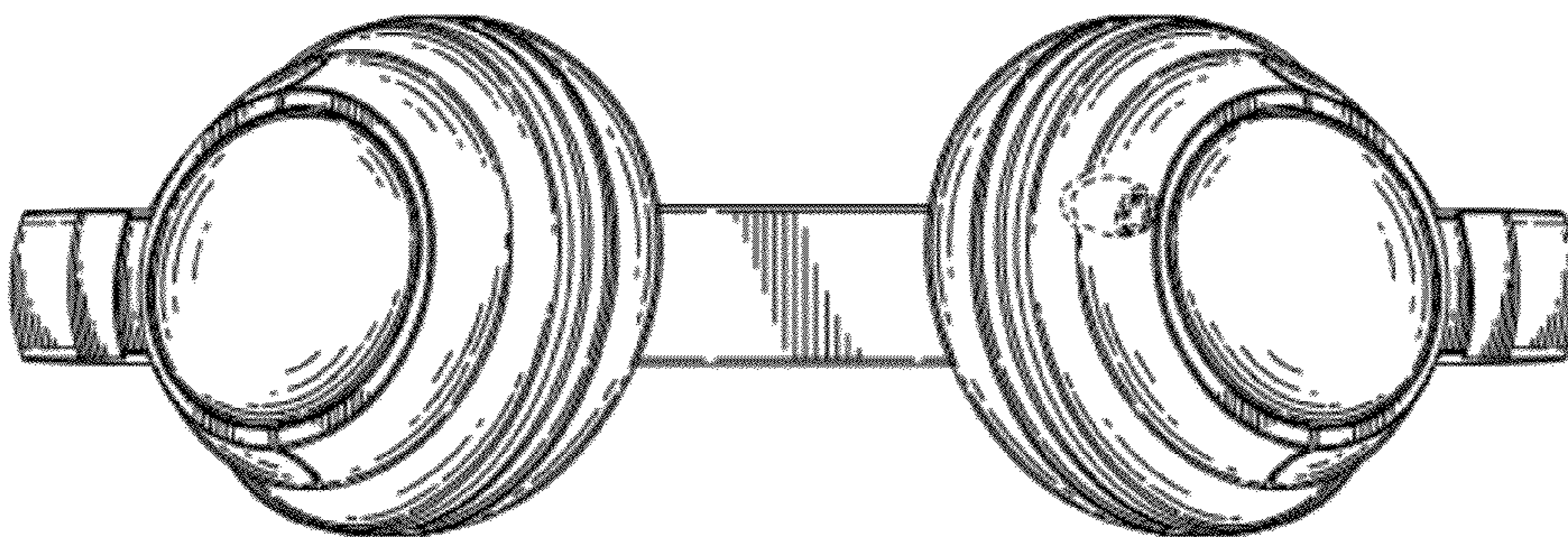


FIG. 7