



US00D662077S

(12) **United States Design Patent**
Deffarges

(10) **Patent No.:** **US D662,077 S**
(45) **Date of Patent:** **** Jun. 19, 2012**

(54) **LOUDSPEAKER**

(75) Inventor: **François Deffarges**, Neuilly-sur-Seine (FR)

(73) Assignee: **Nexo**, Plailly (FR)

(**) Term: **14 Years**

(21) Appl. No.: **29/384,670**

(22) Filed: **Feb. 2, 2011**

(30) **Foreign Application Priority Data**

Aug. 3, 2010 (EM) 001229397-0001

(51) **LOC (9) Cl.** **14-01**

(52) **U.S. Cl.** **D14/204**

(58) **Field of Classification Search** D14/204,
D14/207, 210–216, 172; 181/143–144, 147–148,
181/150–153, 157, 198–199; 381/300–303,
381/306, 332–333, 336, 345, 361–364, 386–388

See application file for complete search history.

(56) **References Cited**

U.S. PATENT DOCUMENTS

5,229,555	A	*	7/1993	Inoue et al.	181/146
D395,888	S	*	7/1998	Fenner et al.	D14/214
D552,081	S	*	10/2007	Yano	D14/214
D590,287	S	*	4/2009	Bartlett	D14/204

* cited by examiner

Primary Examiner — Prabhakar Deshmukh

(74) *Attorney, Agent, or Firm* — Young & Thompson

(57) **CLAIM**

The ornamental design for a loudspeaker, as shown.

DESCRIPTION

FIG. 1 is a front elevational view of a loudspeaker showing my new design;

FIG. 2 is a rear elevational view thereof;

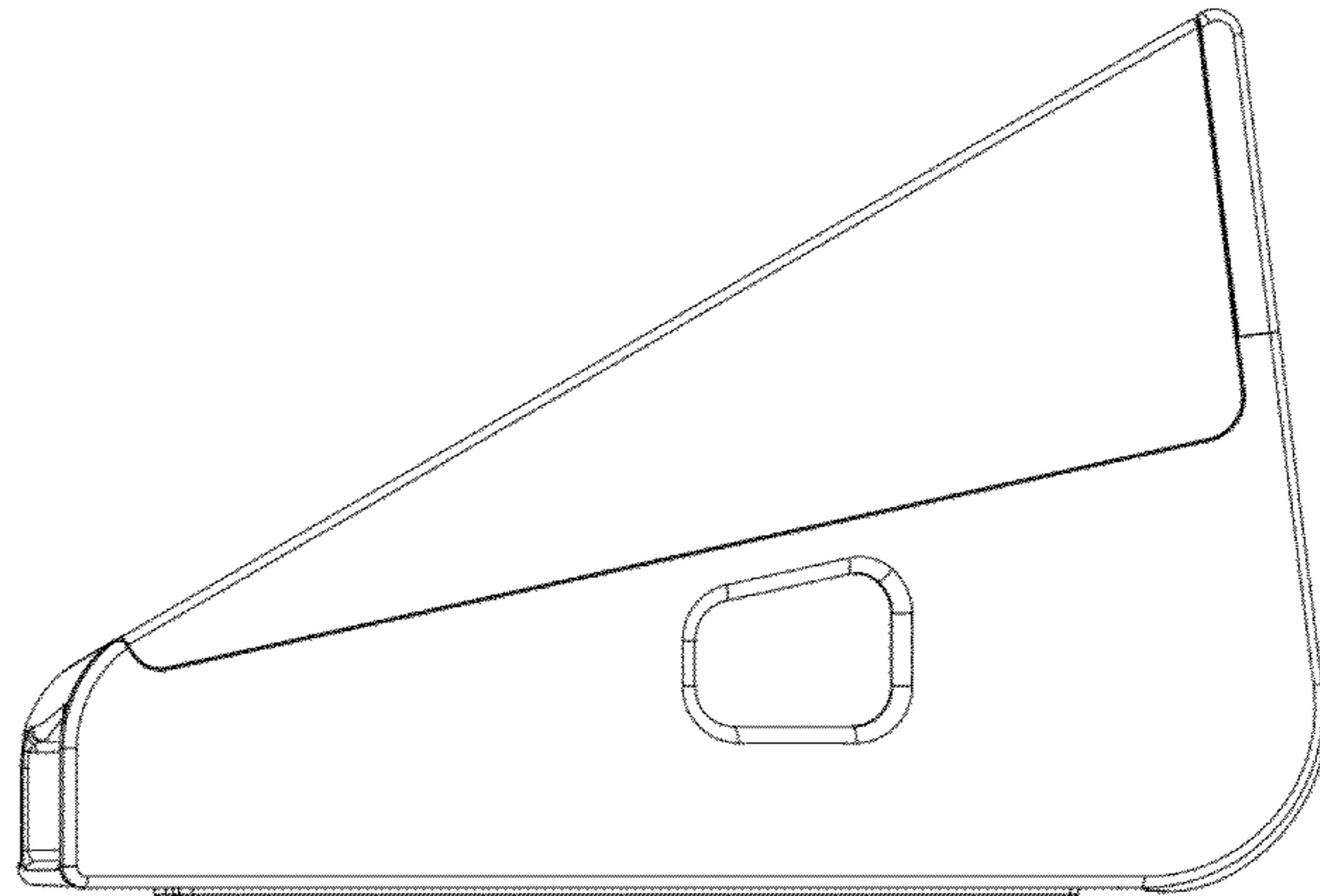
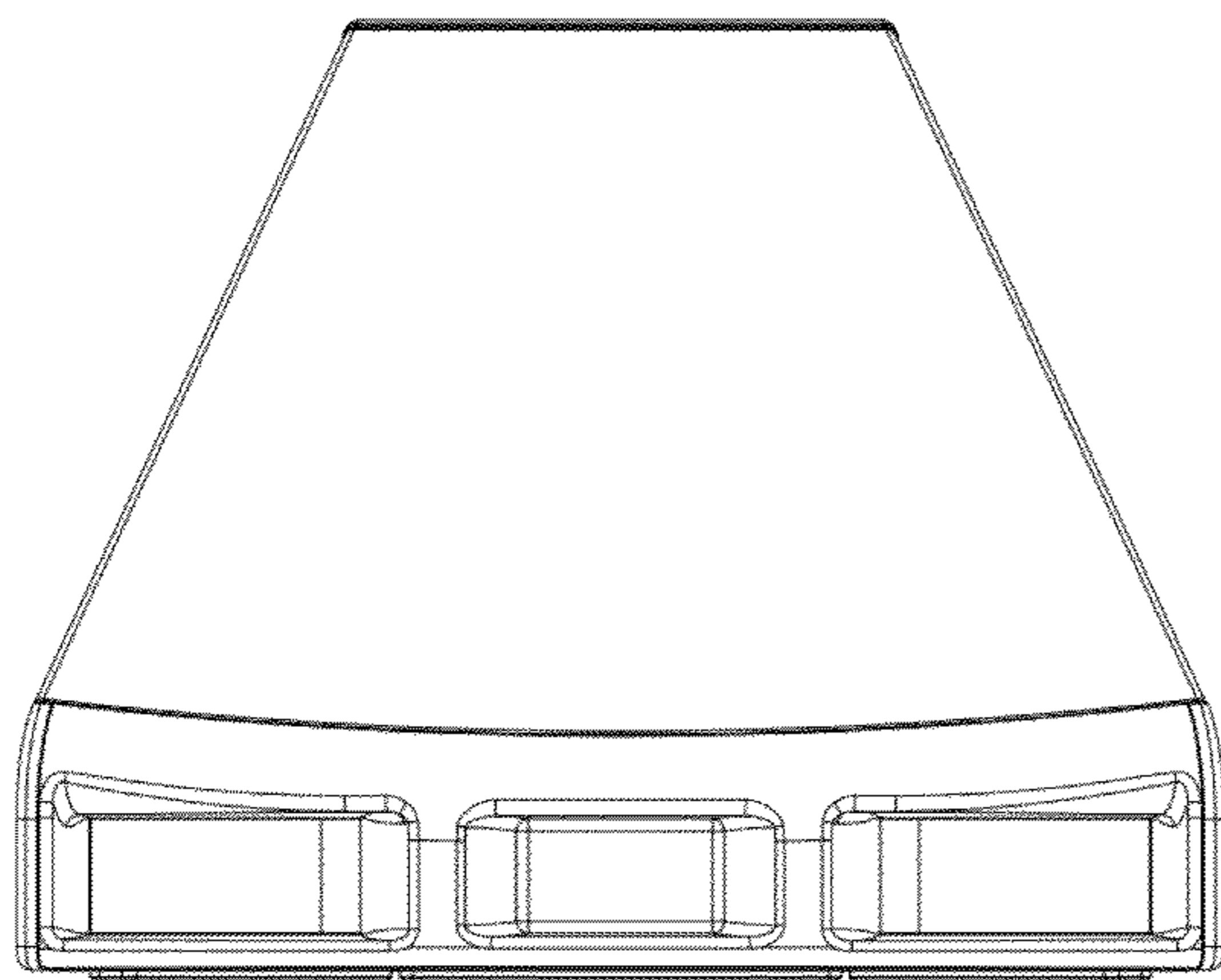
FIG. 3 is a side elevational view thereof from the right of FIG. 1;

FIG. 4 is a side elevational view thereof from the left of FIG. 1;

FIG. 5 is a top plan view thereof; and,

FIG. 6 is a bottom plan view thereof.

1 Claim, 6 Drawing Sheets



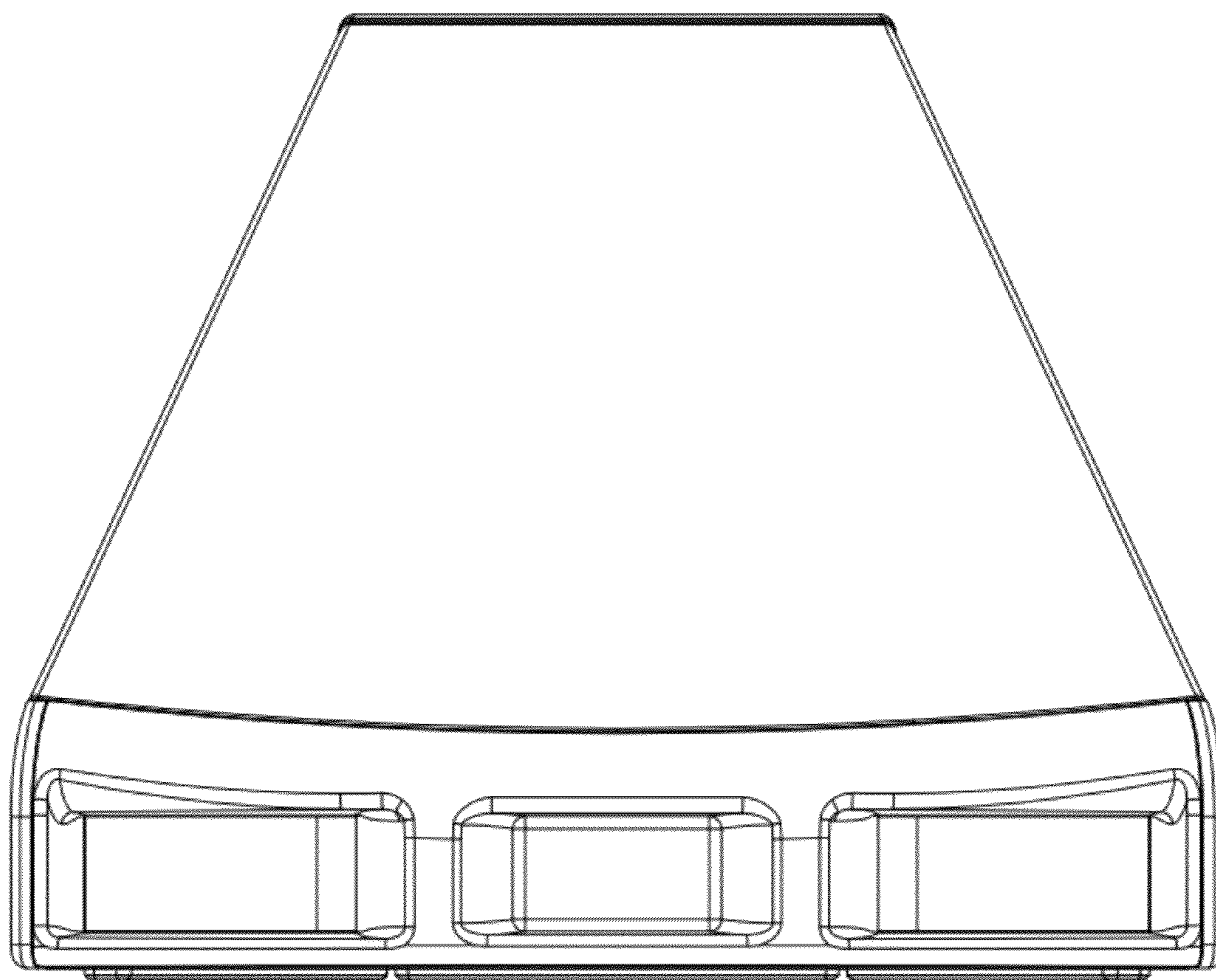


Figure 1

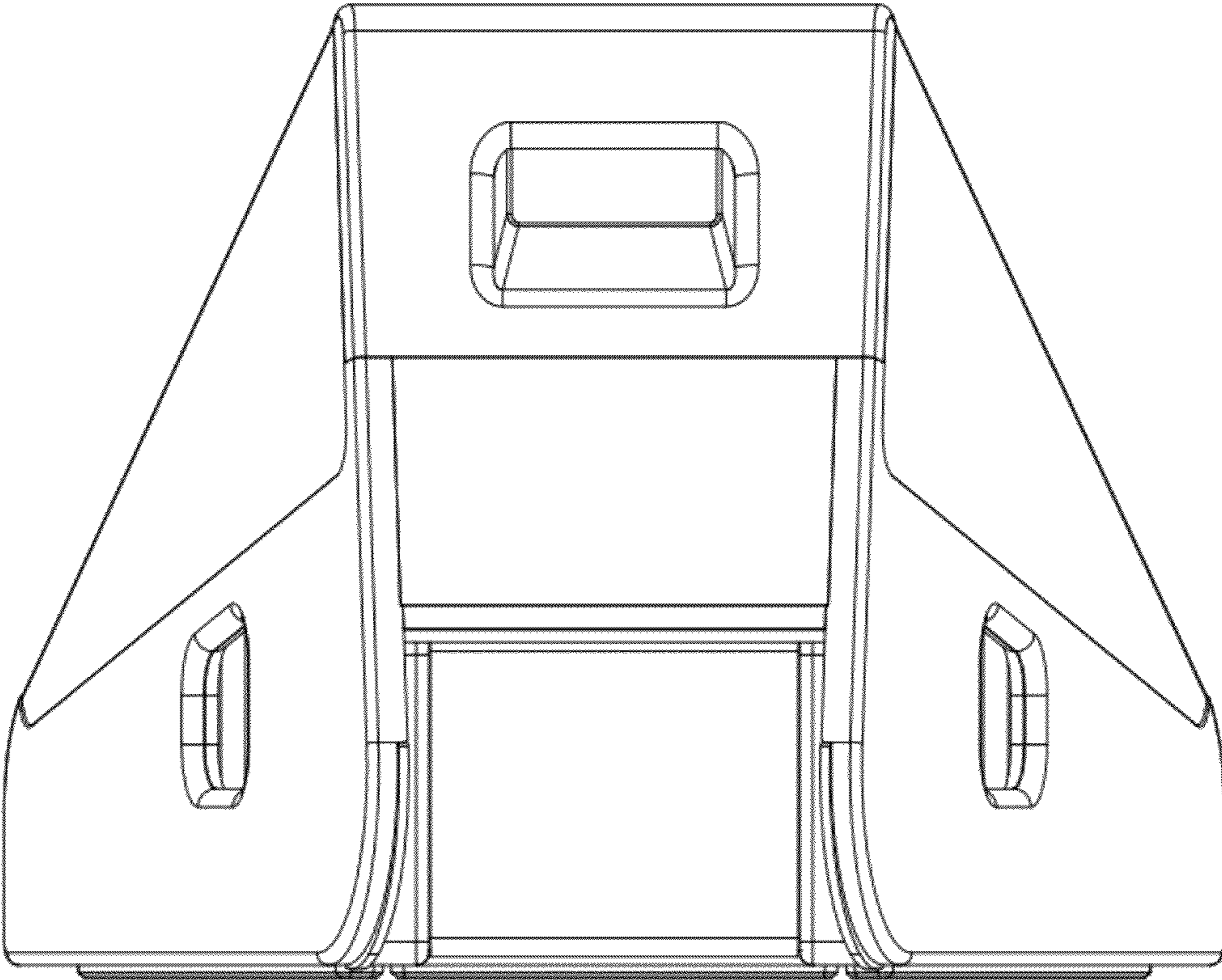


Figure 2

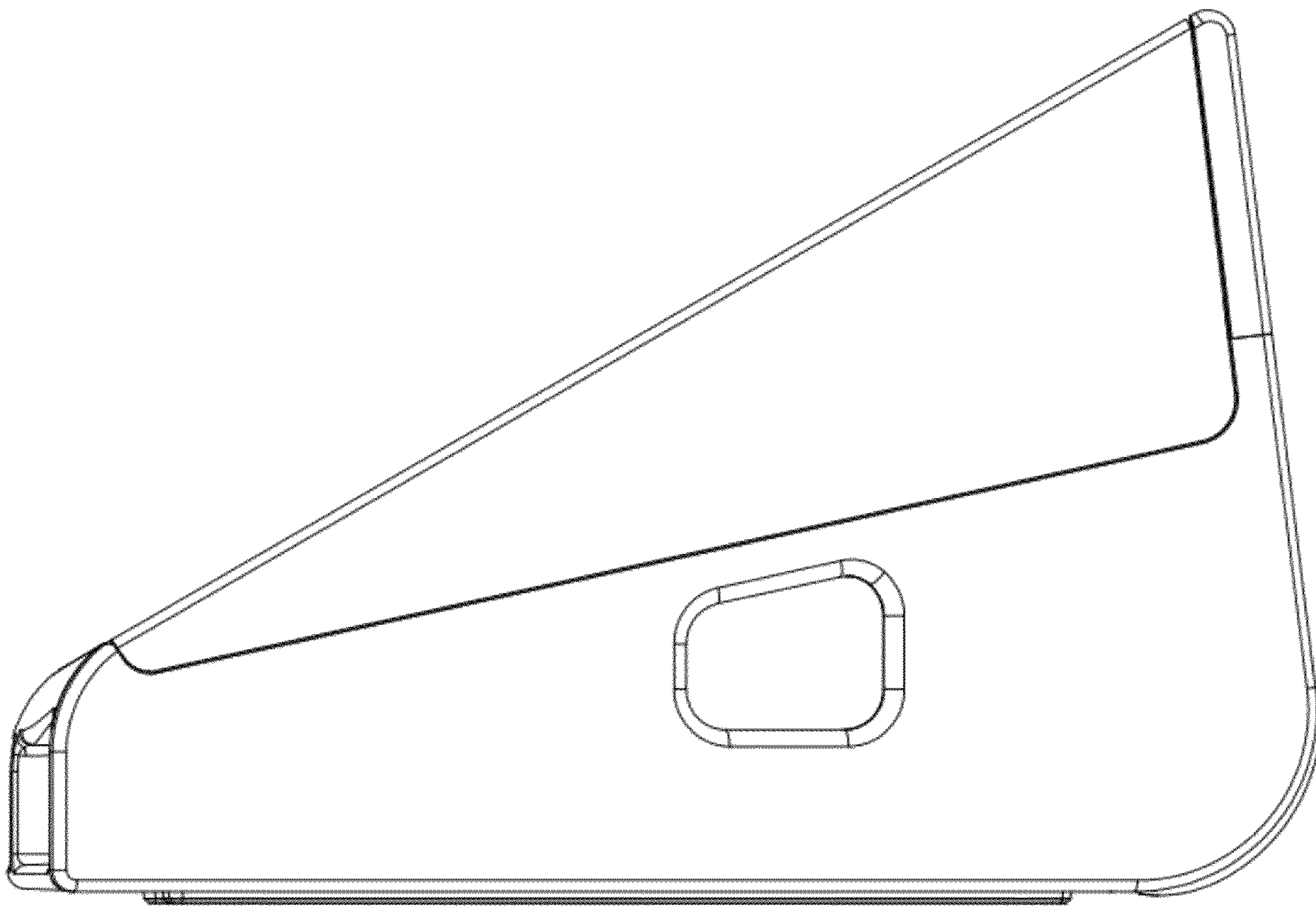


Figure 3

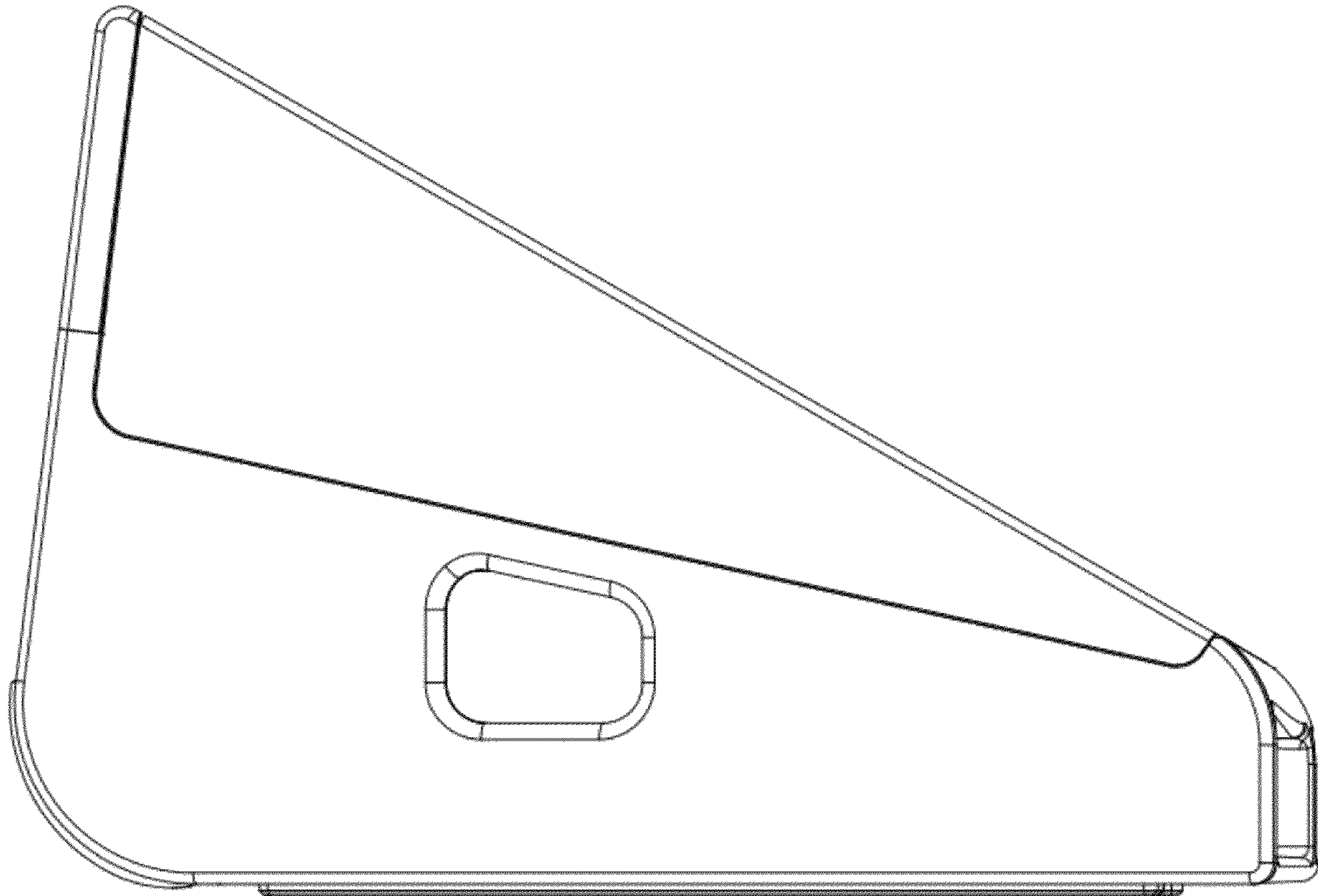


Figure 4

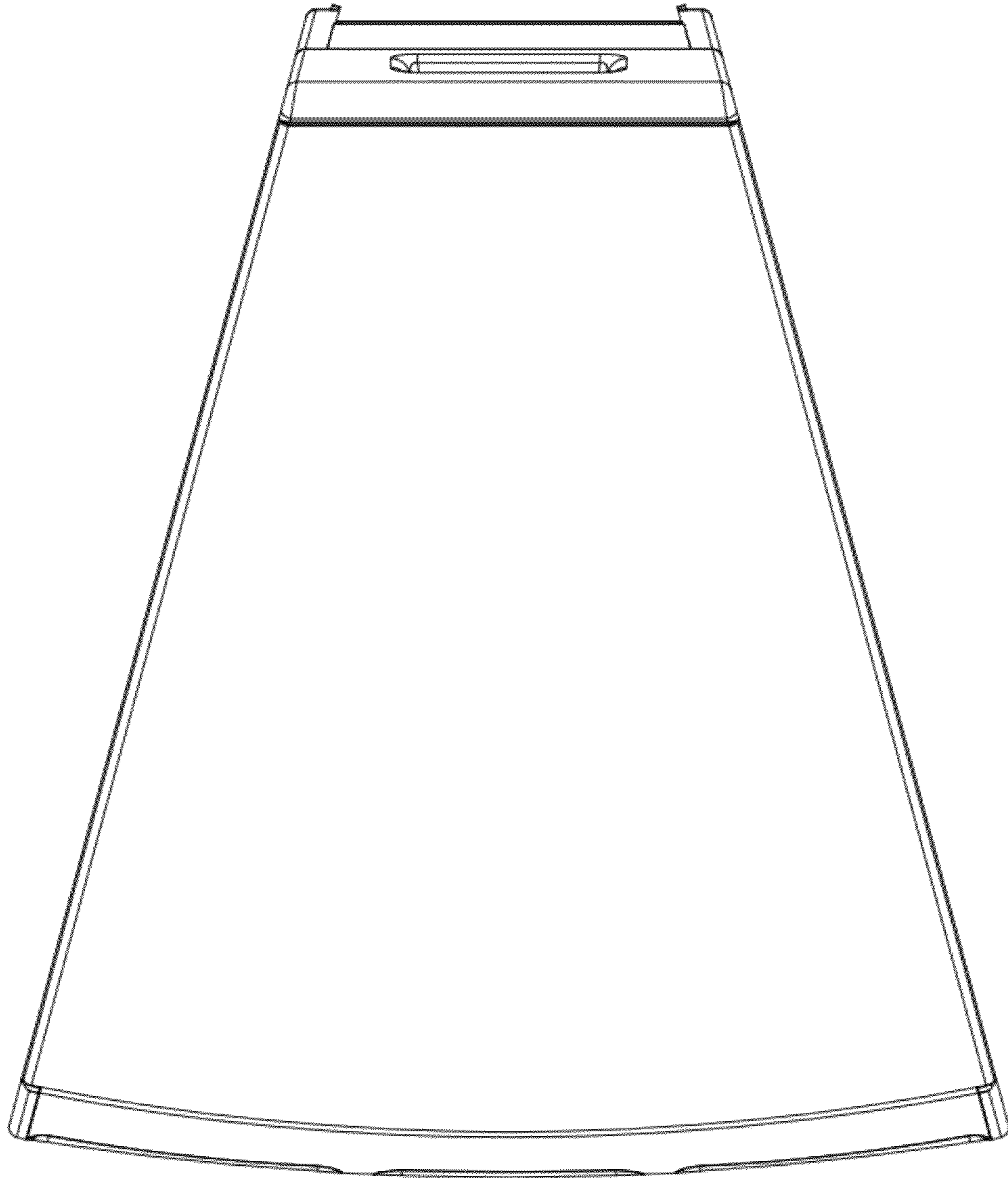


Figure 5

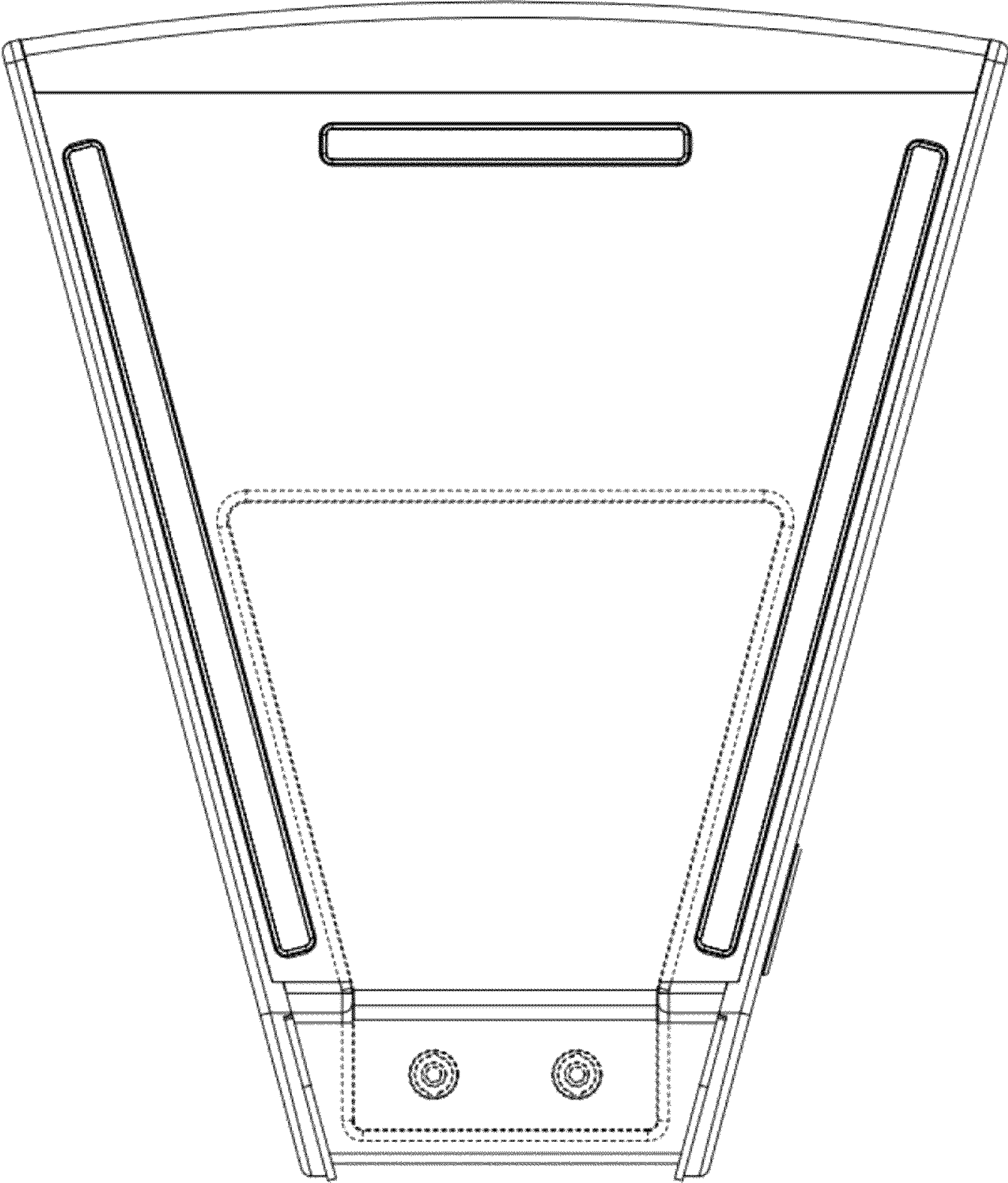


Figure 6