



US00D662070S

(12) **United States Design Patent**
Loughlin

(10) **Patent No.:** **US D662,070 S**

(45) **Date of Patent:** **** Jun. 19, 2012**

(54) **AUDIO/VIDEO CABLING ENCLOSURE**

(76) **Inventor:** **Kent Loughlin**, Rocklin, CA (US)

(**) **Term:** **14 Years**

(21) **Appl. No.:** **29/364,010**

(22) **Filed:** **Jun. 17, 2010**

(51) **LOC (9) Cl.** **13-99**

(52) **U.S. Cl.** **D13/184**

(58) **Field of Classification Search** D13/184,
D13/199, 139.4; D14/358, 363; 174/50,
174/68.1, 72; 254/134.3 CL; 385/99, 135;
439/501; 725/78

See application file for complete search history.

(56) **References Cited**

U.S. PATENT DOCUMENTS

5,682,453	A *	10/1997	Daniel et al.	385/99
D424,528	S *	5/2000	Dernehl	D13/184
D427,978	S *	7/2000	Kabat	D13/184
D532,785	S *	11/2006	Lo et al.	D14/363
D560,609	S *	1/2008	Rosenthal et al.	D13/139.4
7,548,680	B2 *	6/2009	Castonguay et al.	385/135
D596,636	S *	7/2009	Kim et al.	D14/363

2005/0164545	A1 *	7/2005	Rosenthal et al.	439/501
2007/0220560	A1 *	9/2007	Devine	725/78
2010/0086266	A1 *	4/2010	Marcouiller et al.	385/99

* cited by examiner

Primary Examiner — Freda S Nunn

(57) **CLAIM**

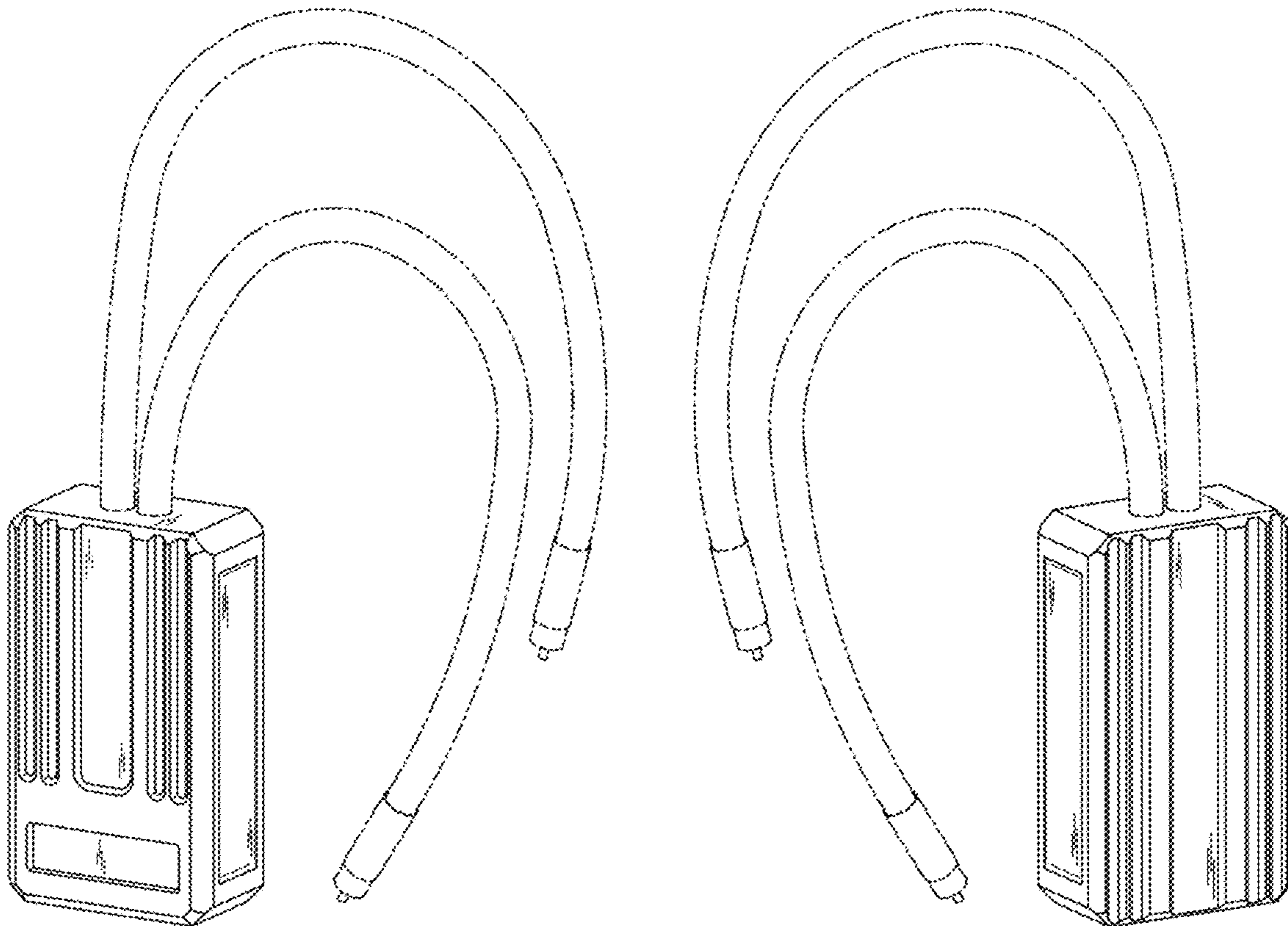
The ornamental design for audio/video cabling enclosure, as shown and described.

DESCRIPTION

FIG. 1 is a front perspective view of an audio/video cabling enclosure embodying my new design; FIG. 2 is a back perspective thereof; FIG. 3 is back perspective view thereof; FIG. 4 is a front view thereof; FIG. 5 is a back view thereof; FIG. 6 is a side view thereof; FIG. 7 is a side view thereof; FIG. 8 is an end view thereof; and, FIG. 9 is an end view thereof.

The broken line showing is included for the purpose of illustrating and forms no part of the claimed design.

1 Claim, 6 Drawing Sheets



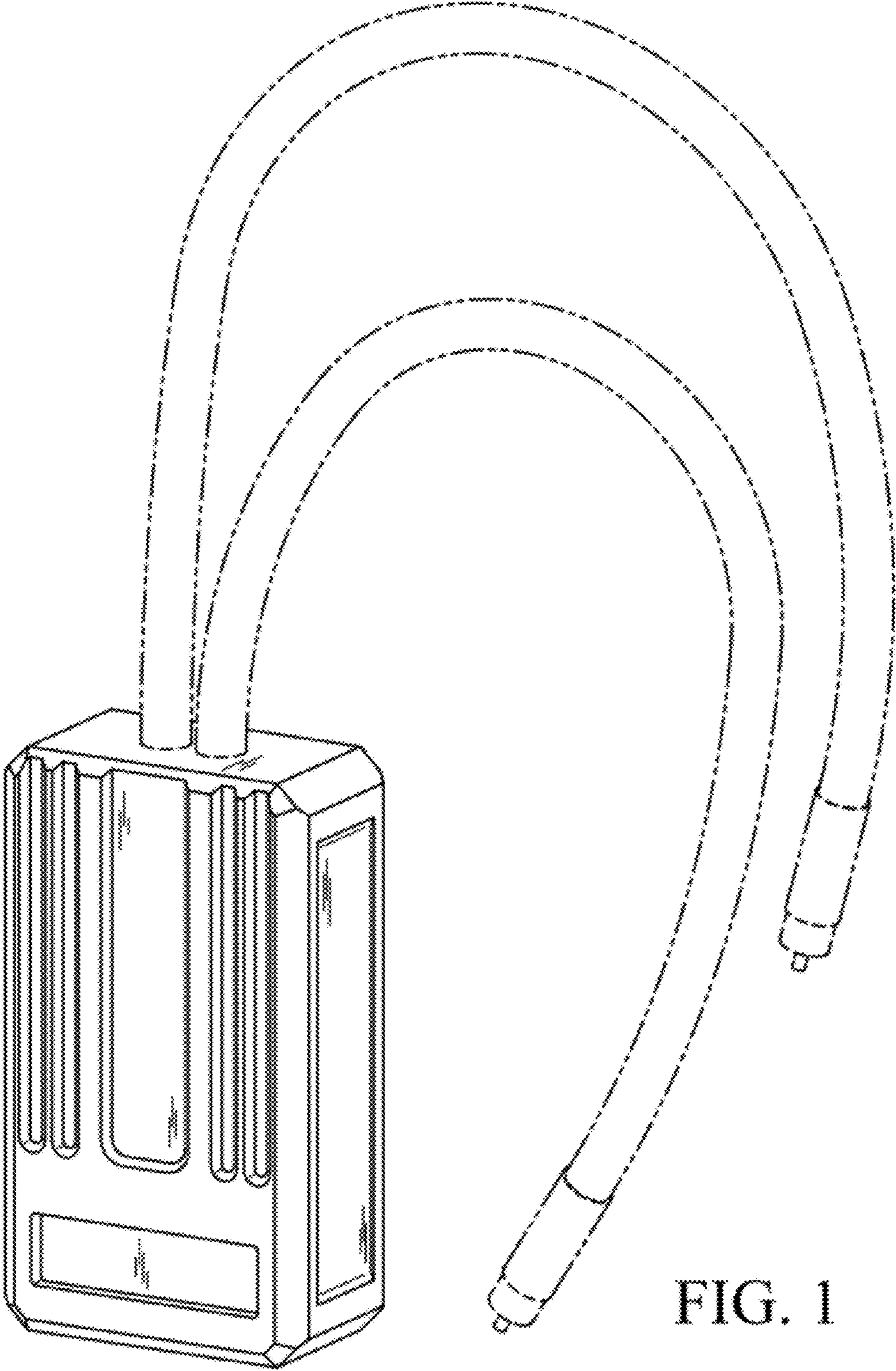


FIG. 1

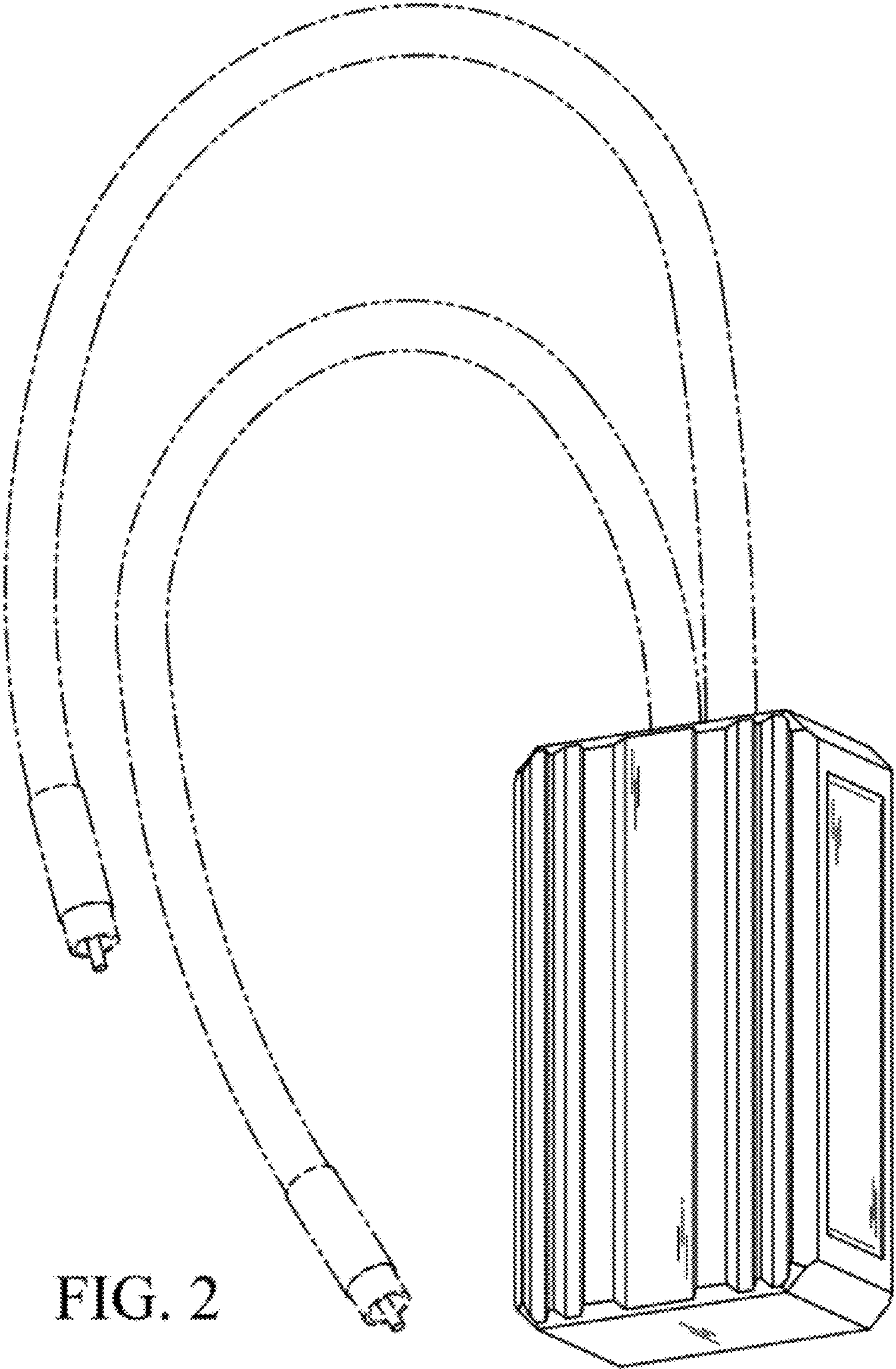


FIG. 2

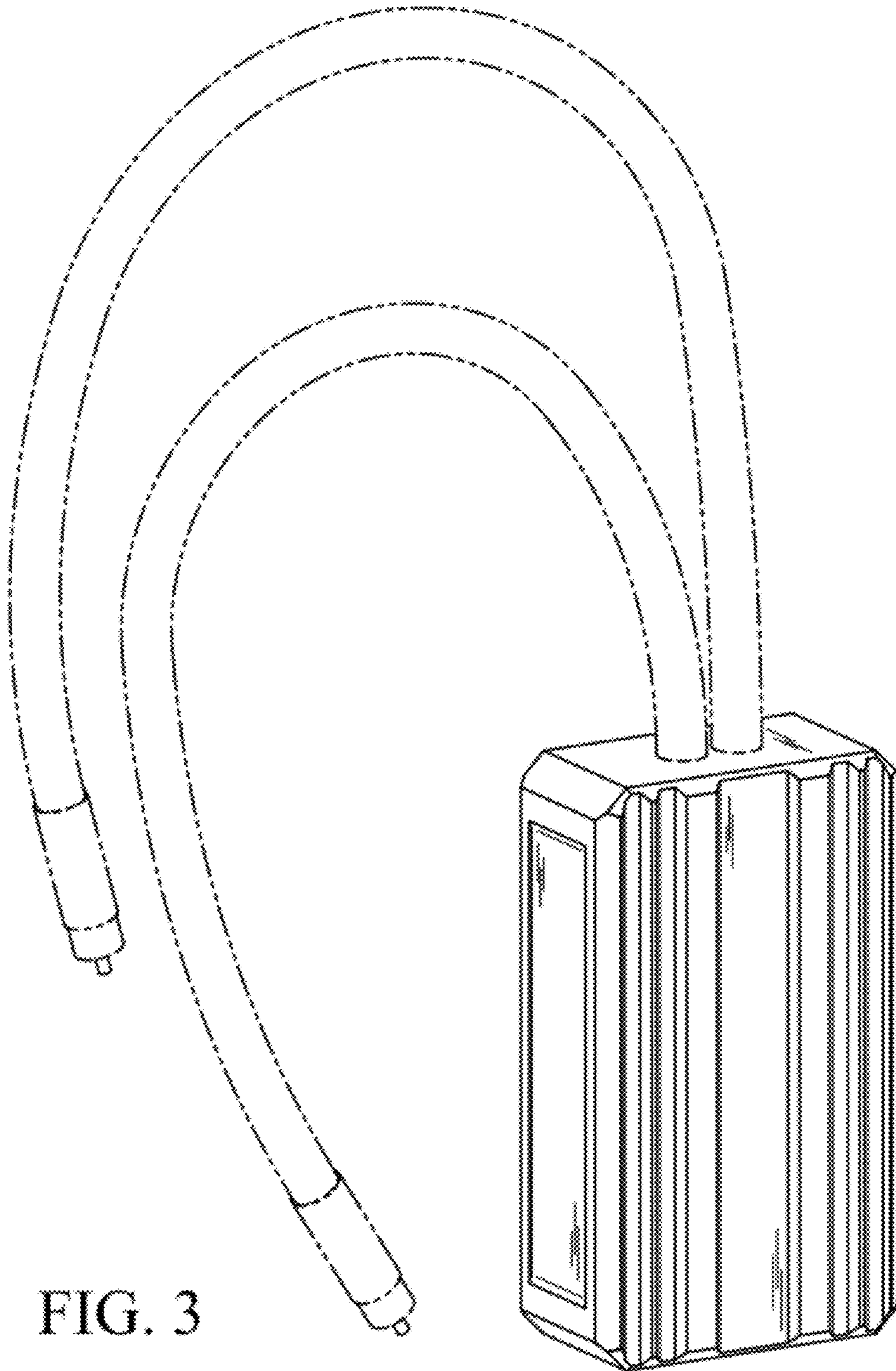


FIG. 3

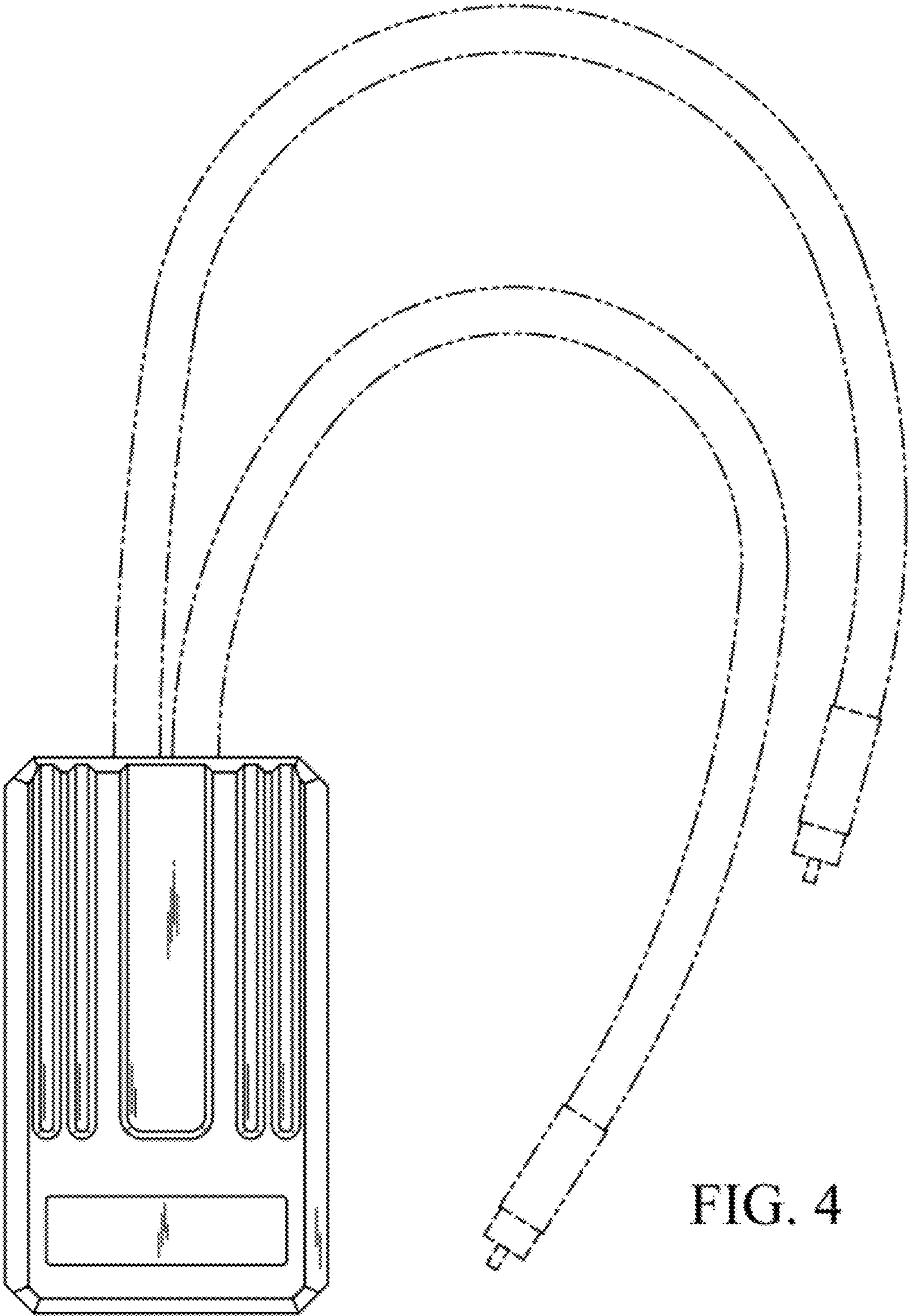


FIG. 4

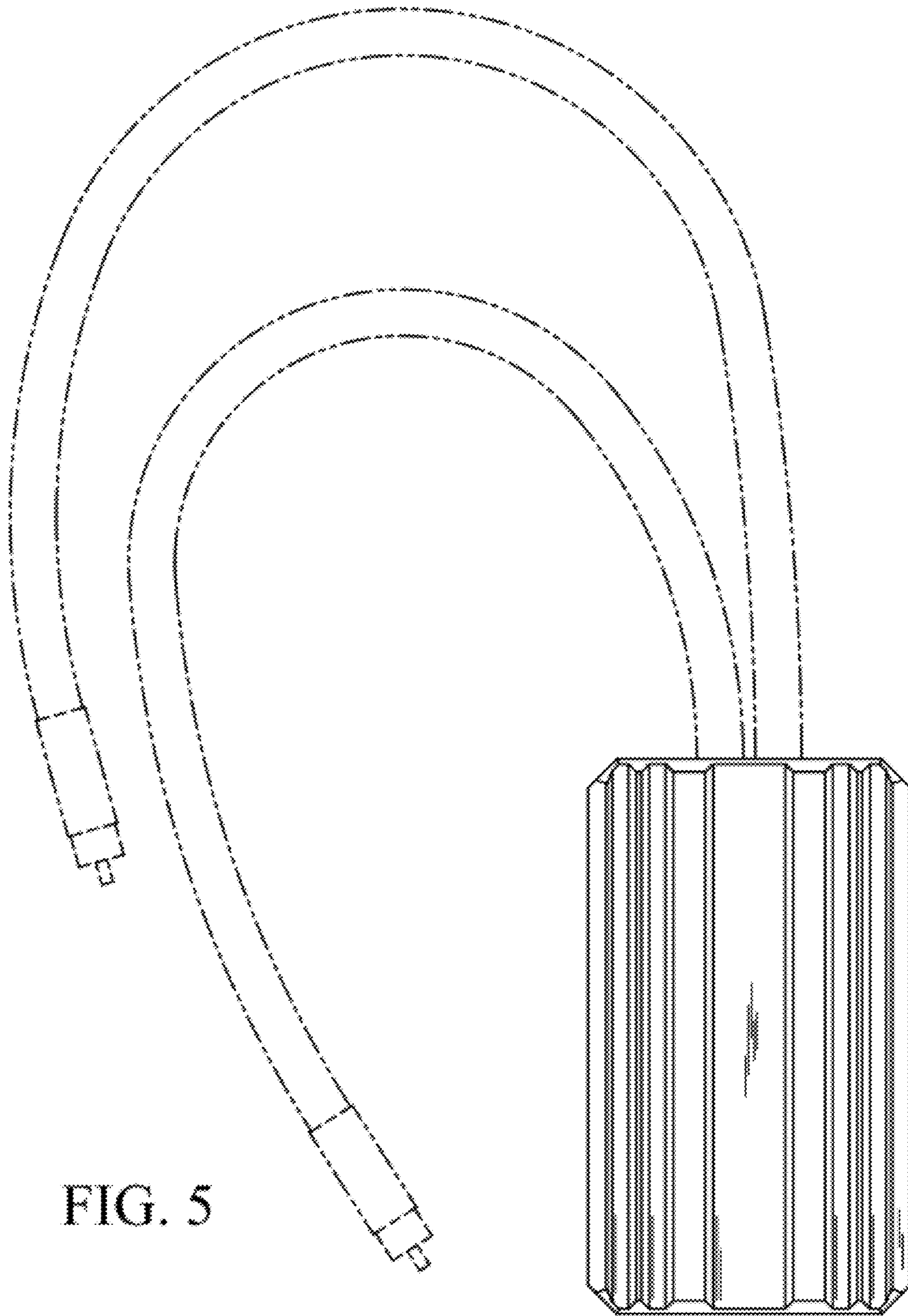


FIG. 5

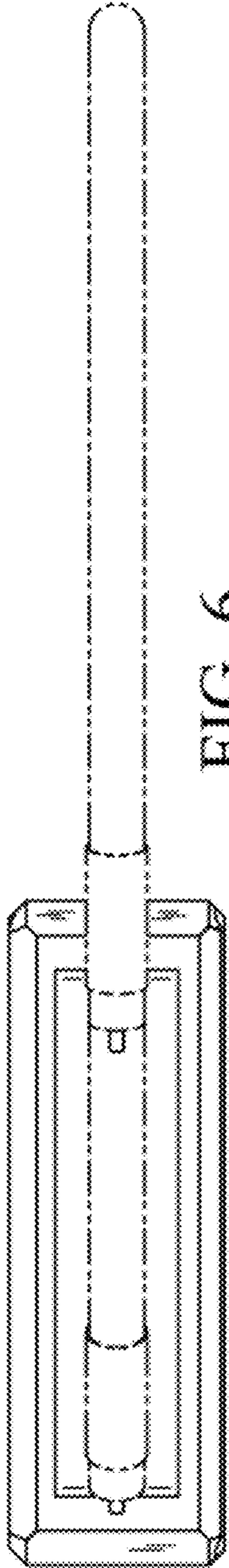


FIG. 6

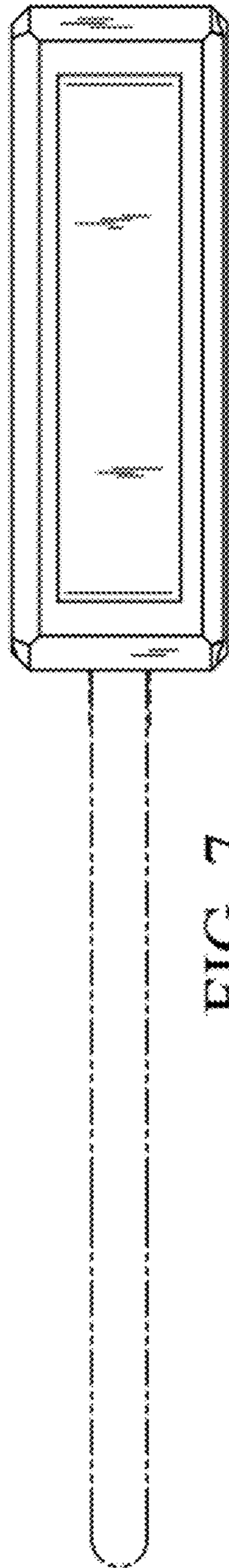


FIG. 7

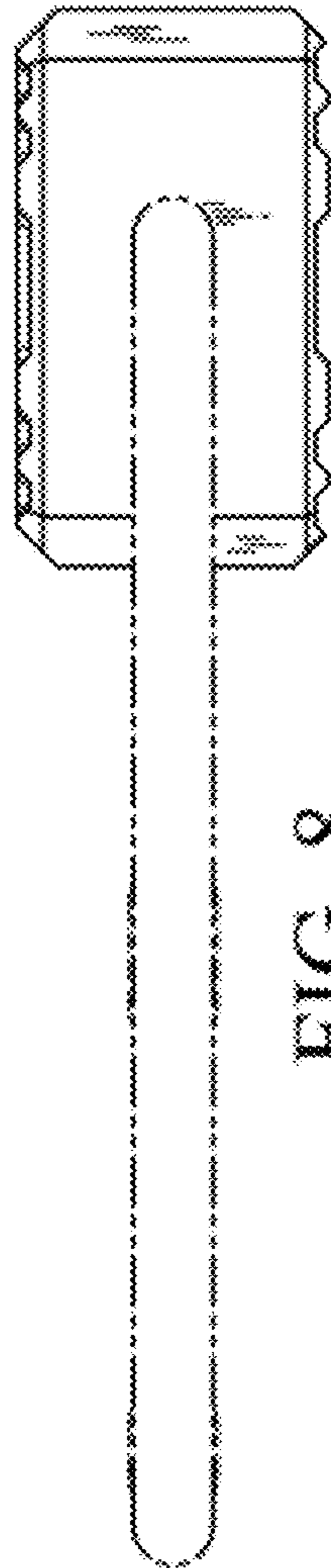


FIG. 8

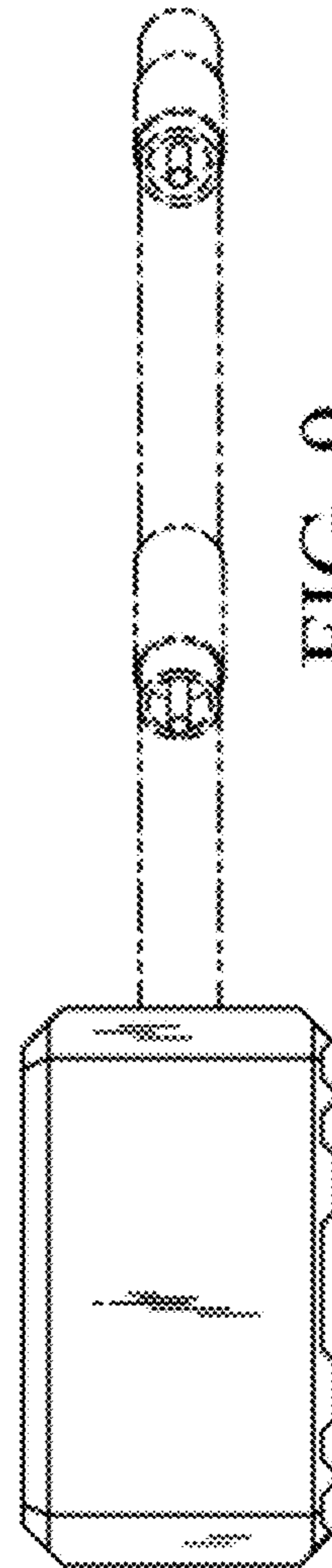


FIG. 9