



US00D662061S

(12) **United States Design Patent**  
**Eriksen et al.**

(10) **Patent No.:** **US D662,061 S**  
(45) **Date of Patent:** **\*\* Jun. 19, 2012**

- (54) **OPEN COMPRESSION-TYPE COAXIAL CABLE CONNECTOR**
- (75) Inventors: **Kim Eriksen**, Vordingborg (DK); **Noah Montena**, Syracuse, NY (US)
- (73) Assignee: **John Mezzalingua Associates, Inc.**, East Syracuse, NY (US)
- (\*\*) Term: **14 Years**
- (21) Appl. No.: **29/367,172**
- (22) Filed: **Aug. 4, 2010**
- (51) **LOC (9) Cl.** ..... **13-03**
- (52) **U.S. Cl.** ..... **D13/151; D13/154**
- (58) **Field of Classification Search** ..... D13/133, D13/151, 153, 154, 156, 184; 439/180, 253, 439/254, 255, 256, 257, 378, 380, 447, 527, 439/533, 543, 578, 583, 584, 585, 623, 944  
See application file for complete search history.

D578,073 S	10/2008	Amidon	
D578,077 S	10/2008	Amidon	
D578,482 S	10/2008	Amidon	
D578,488 S	10/2008	Amidon	
D580,874 S	11/2008	Amidon	
D580,875 S	11/2008	Amidon	
D596,579 S	7/2009	Chawgo et al.	
D596,580 S	7/2009	Chawgo et al.	
D596,581 S	7/2009	Amidon	
D603,802 S	11/2009	Amidon	
D603,803 S	11/2009	Amidon	
D605,136 S	12/2009	Amidon	
D607,820 S	* 1/2010	Thorner	..... D13/133
D610,999 S	* 3/2010	Purdy et al.	..... D13/151
D611,912 S	3/2010	Montena	
D617,286 S	6/2010	Montena	
D626,920 S	* 11/2010	Purdy et al.	..... D13/151
D643,370 S	8/2011	Eriksen et al.	
D644,612 S	9/2011	Purdy et al.	

(Continued)

*Primary Examiner* — Thomas Johannes  
(74) *Attorney, Agent, or Firm* — Stephen R. Yoder, Esq.

(57) **CLAIM**  
The ornamental design for an open compression-type coaxial cable connector, as shown and described.

**DESCRIPTION**

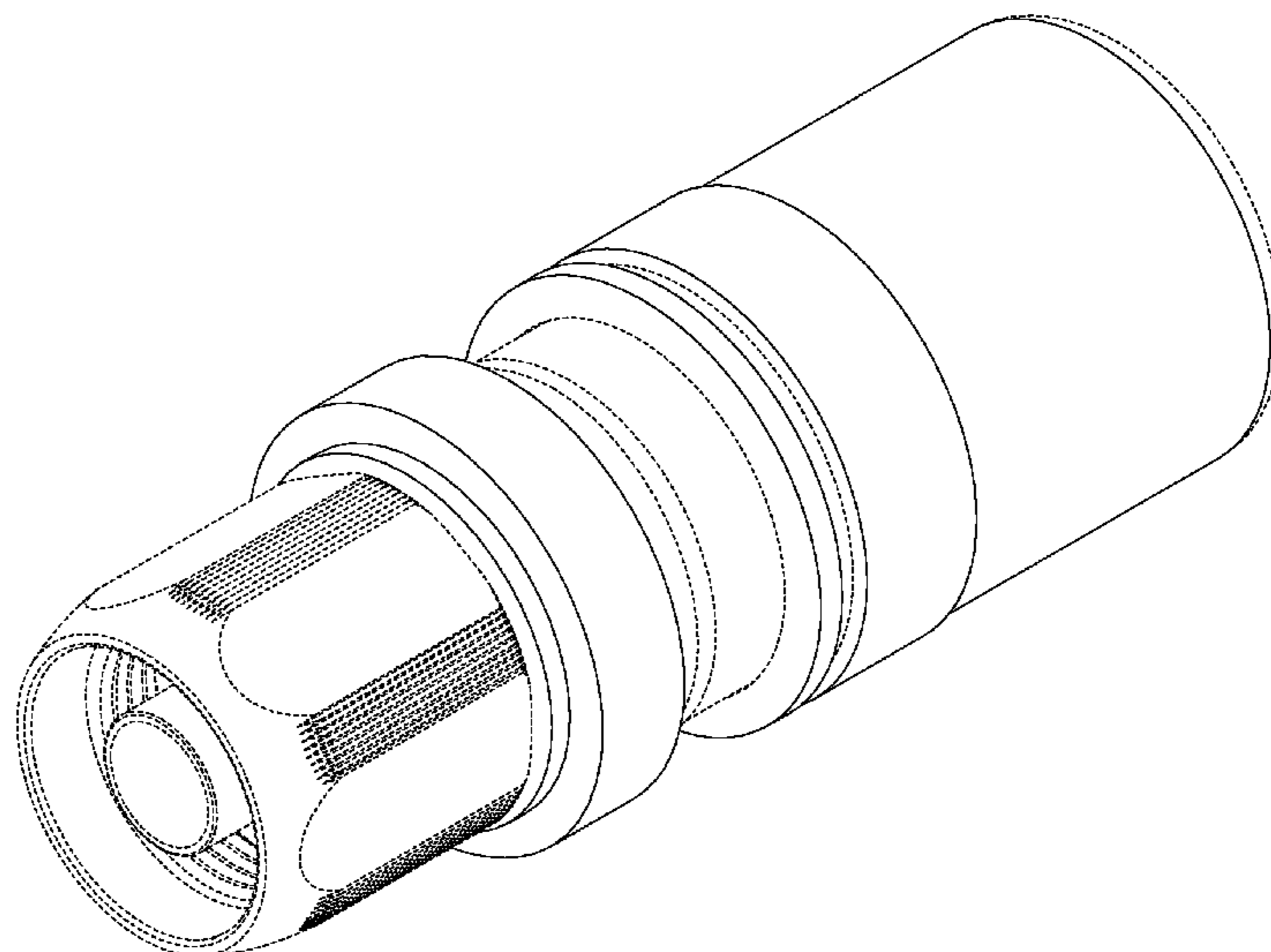
FIG. 1 is a front perspective view of the present invention showing our design for an open compression-type coaxial cable connector;  
FIG. 2 is a back perspective view thereof;  
FIG. 3 is a top view thereof, the claimed portion of which is a mirror image to a bottom view;  
FIG. 4 is a right side view thereof, the claimed portion of which is a mirror image to a left side view;  
FIG. 5 is an enlarged front view thereof; and,  
FIG. 6 is an enlarged back view thereof.  
Broken lines, where shown, show unclaimed subject matter only and form no part of the claimed design.

**1 Claim, 6 Drawing Sheets**

(56) **References Cited**

U.S. PATENT DOCUMENTS

D436,076 S	*	1/2001	Montena	.....	D13/133
D437,826 S	*	2/2001	Montena	.....	D13/133
D505,391 S	*	5/2005	Rodrigues et al.	.....	D13/151
D556,693 S		12/2007	Montena		
D571,732 S		6/2008	Chawgo et al.		
D572,197 S		7/2008	Chawgo et al.		
D572,198 S		7/2008	Chawgo et al.		
D572,199 S		7/2008	Chawgo et al.		
D572,200 S		7/2008	Chawgo		
D572,663 S		7/2008	Chawgo et al.		
D574,780 S		8/2008	Chawgo et al.		
D574,781 S		8/2008	Chawgo et al.		
D574,782 S		8/2008	Chawgo et al.		
D574,783 S		8/2008	Chawgo et al.		
D574,784 S		8/2008	Chawgo		
D577,681 S		9/2008	Amidon		
D577,682 S		9/2008	Amidon		
D577,683 S		9/2008	Chawgo et al.		



# US D662,061 S

Page 2

---

U.S. PATENT DOCUMENTS  
D644,998 S 9/2011 Purdy et al.  
D646,225 S 10/2011 Purdy et al.  
D646,226 S 10/2011 Purdy et al.

2007/0042642 A1\* 2/2007 Montena et al. .... 439/578  
2010/0112855 A1\* 5/2010 Paynter et al. .... 439/584  
2011/0009000 A1\* 1/2011 Paynter ..... 439/584

\* cited by examiner

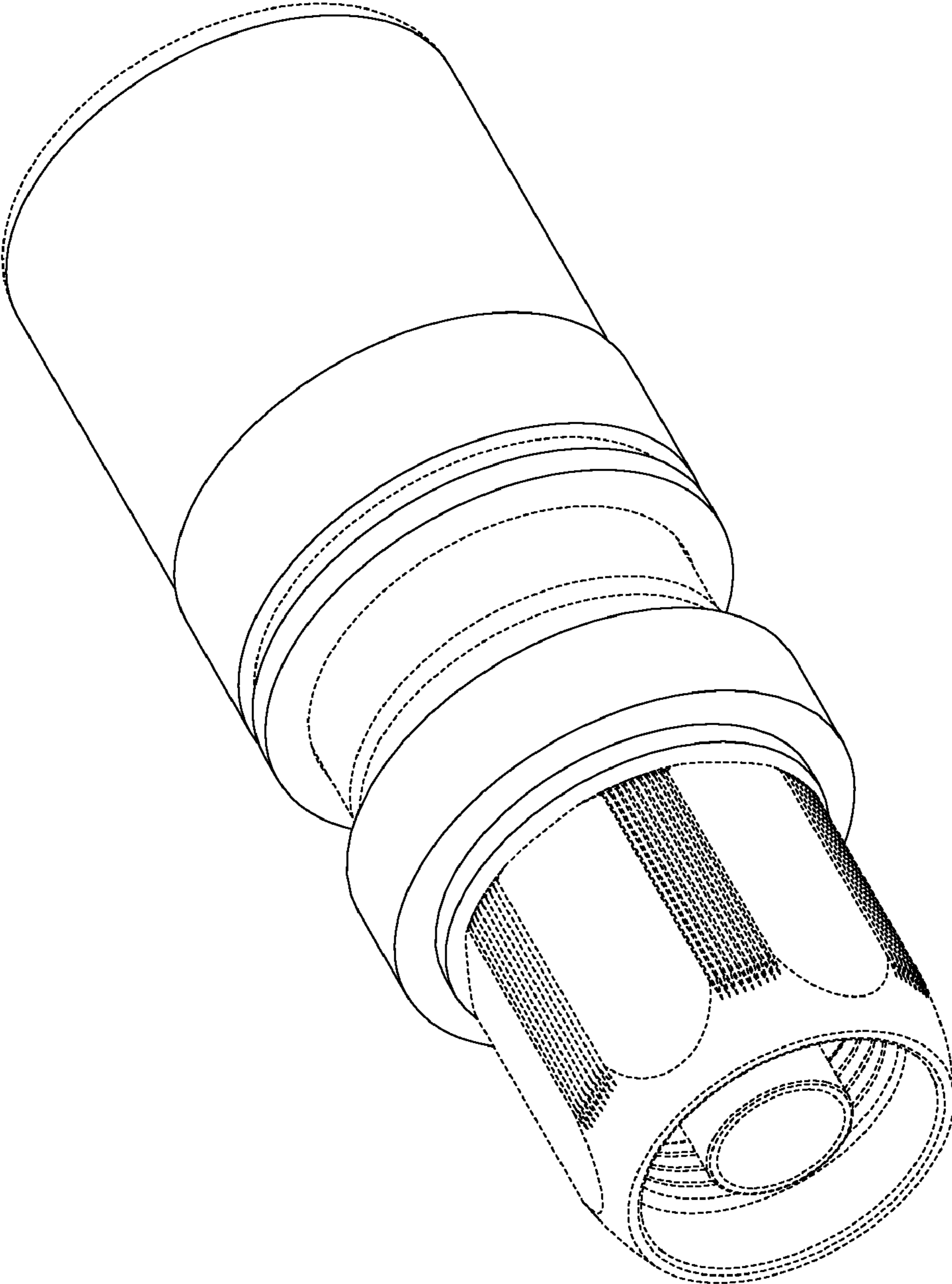


FIG. 1

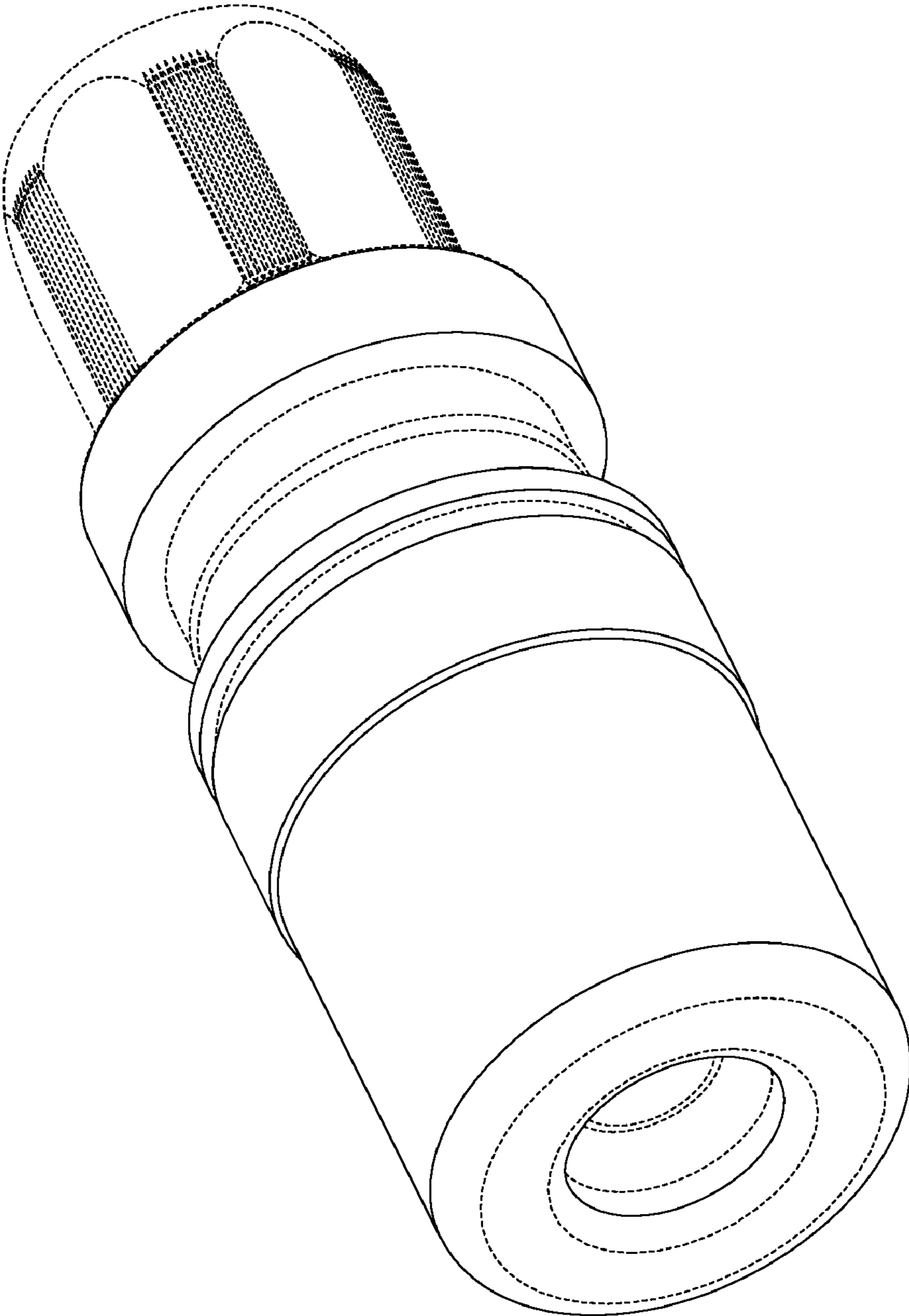


FIG. 2

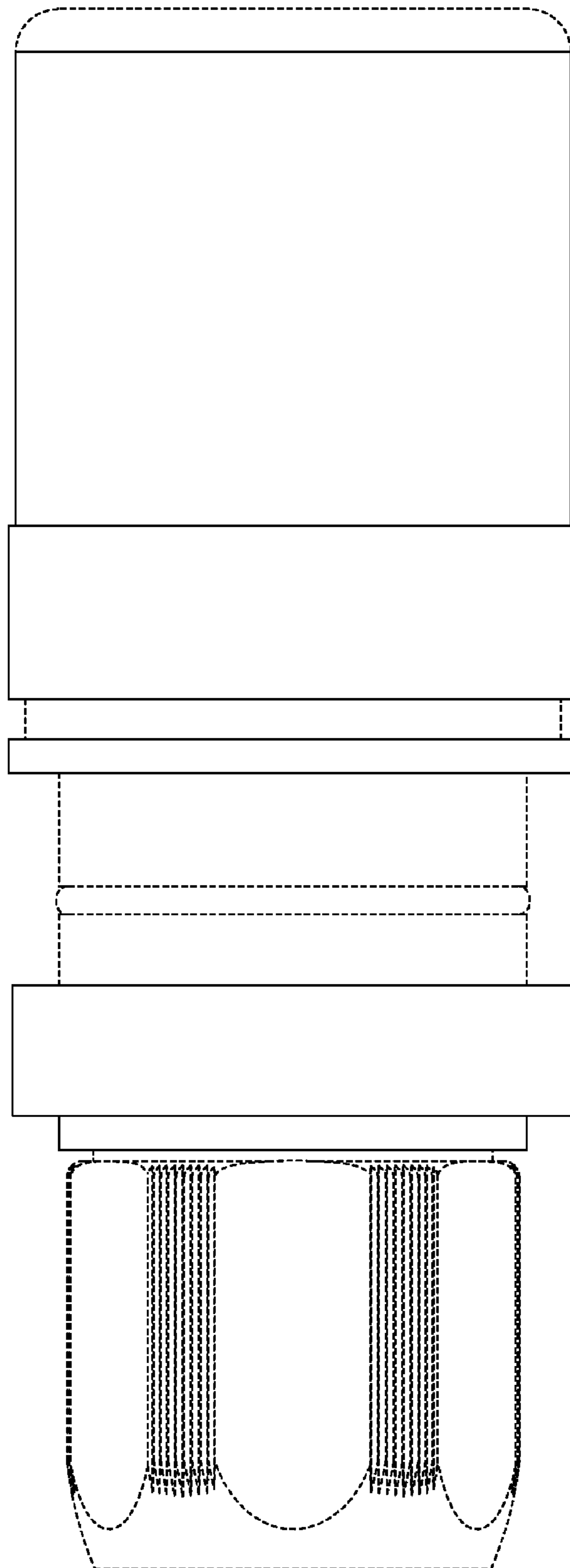


FIG. 3

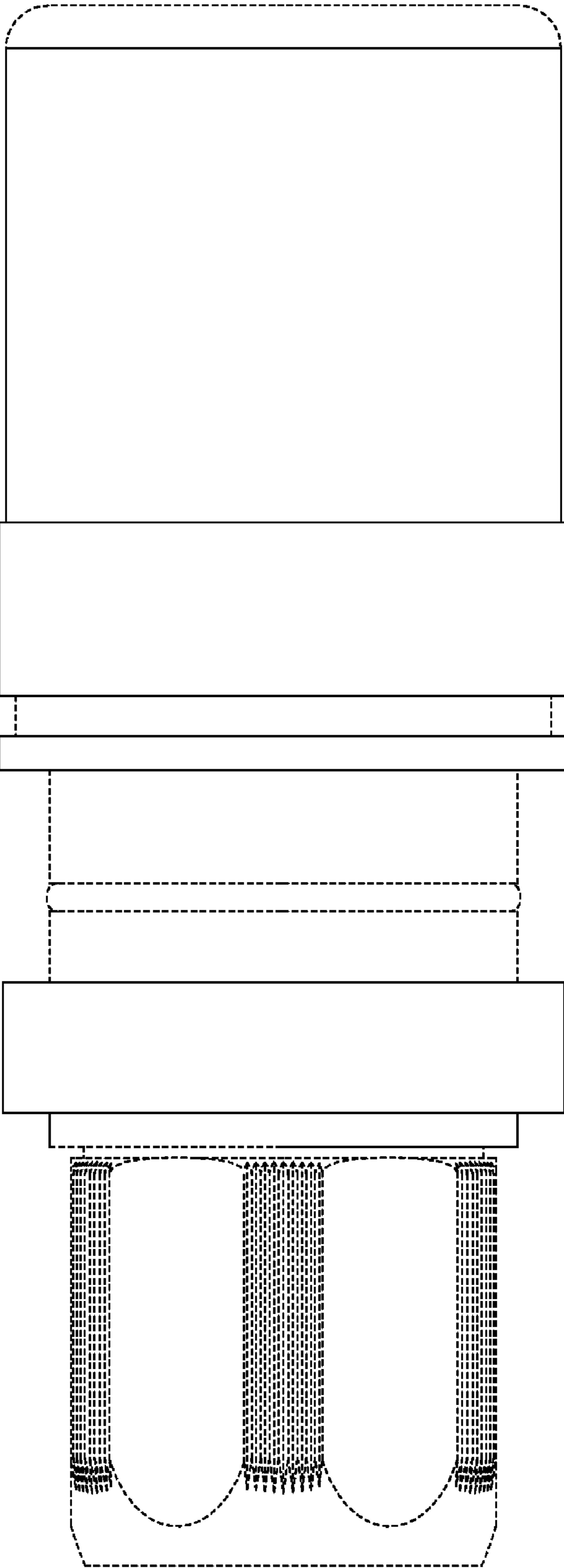


FIG. 4



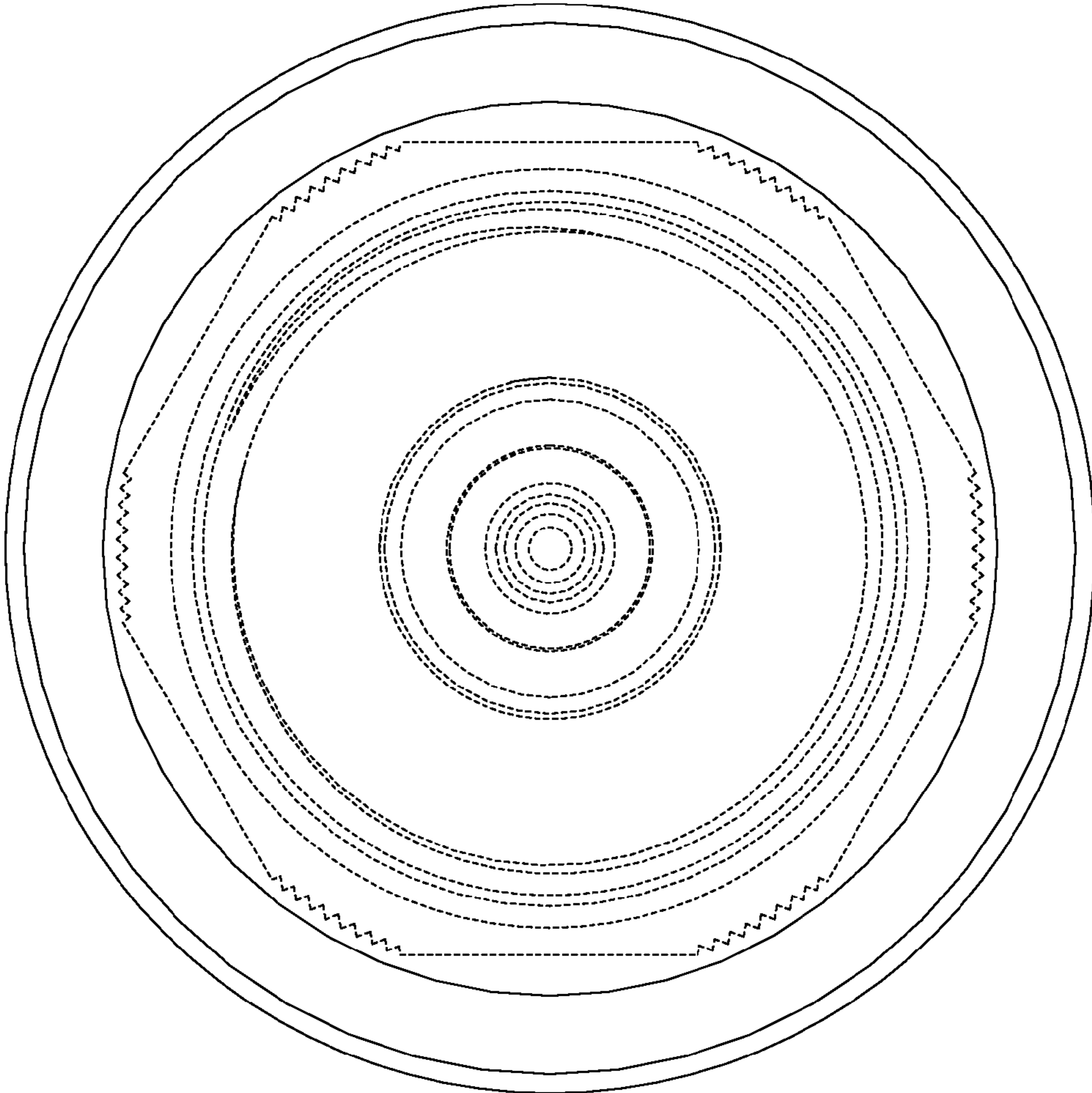


FIG. 5

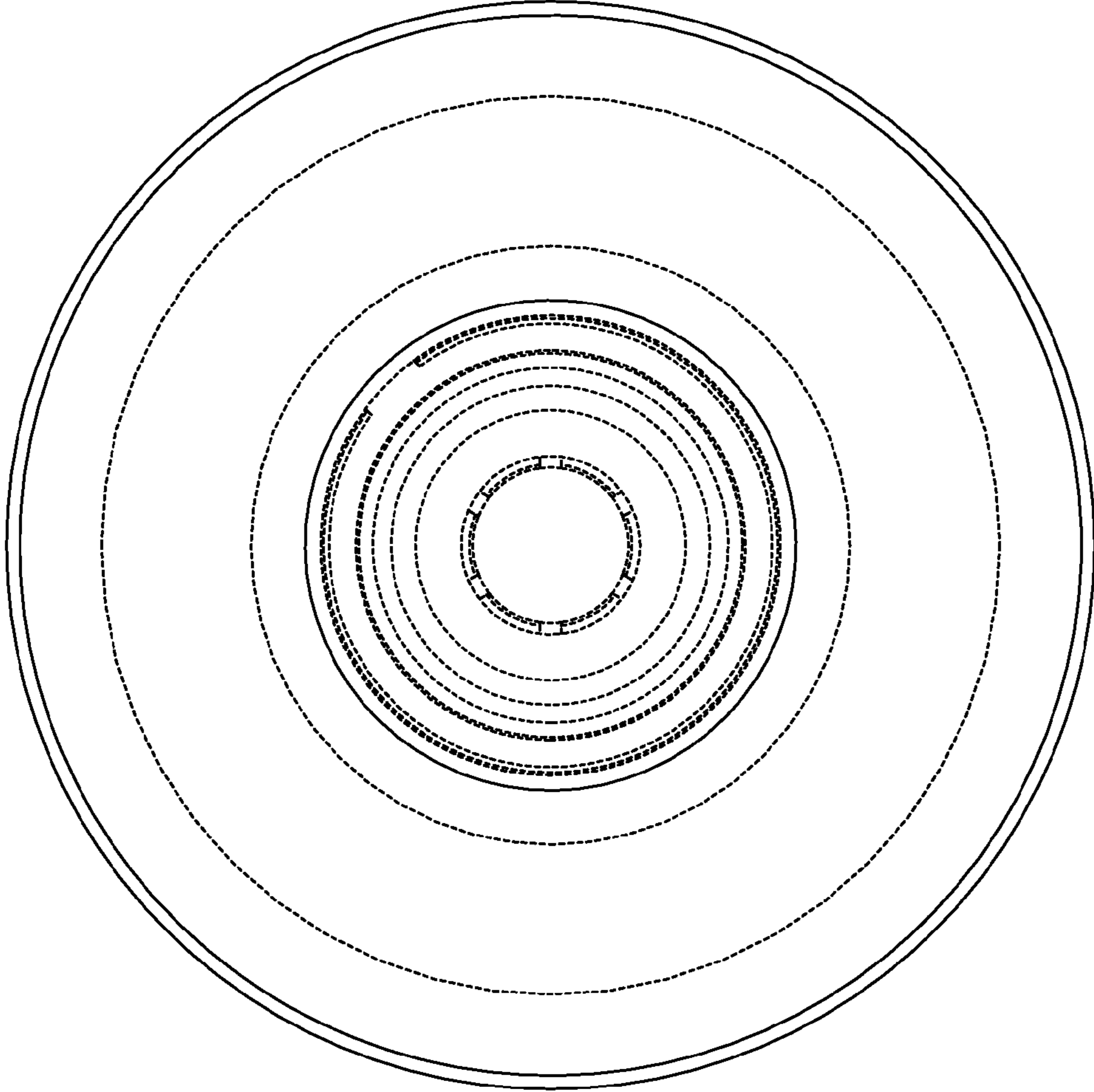


FIG. 6