



US00D662059S

(12) **United States Design Patent**
Amidon et al.

(10) **Patent No.:** **US D662,059 S**
(45) **Date of Patent:** **** Jun. 19, 2012**

- (54) **OPEN COMPRESSION-TYPE COAXIAL CABLE CONNECTOR**
- (75) Inventors: **Jeremy Amidon**, Marcellus, NY (US);
Shawn M. Chawgo, Cicero, NY (US)
- (73) Assignee: **John Mezzalingua Associates, Inc.**,
East Syracuse, NY (US)
- (**) Term: **14 Years**
- (21) Appl. No.: **29/366,110**
- (22) Filed: **Jul. 20, 2010**
- (51) **LOC (9) Cl.** **13-03**
- (52) **U.S. Cl.** **D13/151; D13/154**
- (58) **Field of Classification Search** D13/133,
D13/151, 153, 154, 156, 184; 439/180, 253,
439/254, 255, 256, 257, 378, 380, 447, 527,
439/533, 543, 578, 583, 584, 585, 623, 944
See application file for complete search history.

- D578,077 S 10/2008 Amidon
- D578,482 S 10/2008 Amidon
- D578,488 S 10/2008 Amidon
- D580,874 S 11/2008 Amidon
- D580,875 S 11/2008 Amidon
- D596,579 S 7/2009 Chawgo et al.
- D596,580 S 7/2009 Chawgo et al.
- D596,581 S 7/2009 Amidon
- D603,802 S 11/2009 Amidon
- D603,803 S 11/2009 Amidon
- D605,136 S 12/2009 Amidon
- D607,820 S * 1/2010 Thorner D13/133
- D610,999 S * 3/2010 Purdy et al. D13/151
- D611,912 S 3/2010 Montena
- D617,286 S 6/2010 Montena
- D626,920 S * 11/2010 Purdy et al. D13/151
- D643,370 S 8/2011 Eriksen et al.

(Continued)

Primary Examiner — Thomas Johannes
(74) *Attorney, Agent, or Firm* — Stephen R. Yoder, Esq.

(57) **CLAIM**
The ornamental design for an open compression-type coaxial cable connector, as shown and described.

(56) **References Cited**

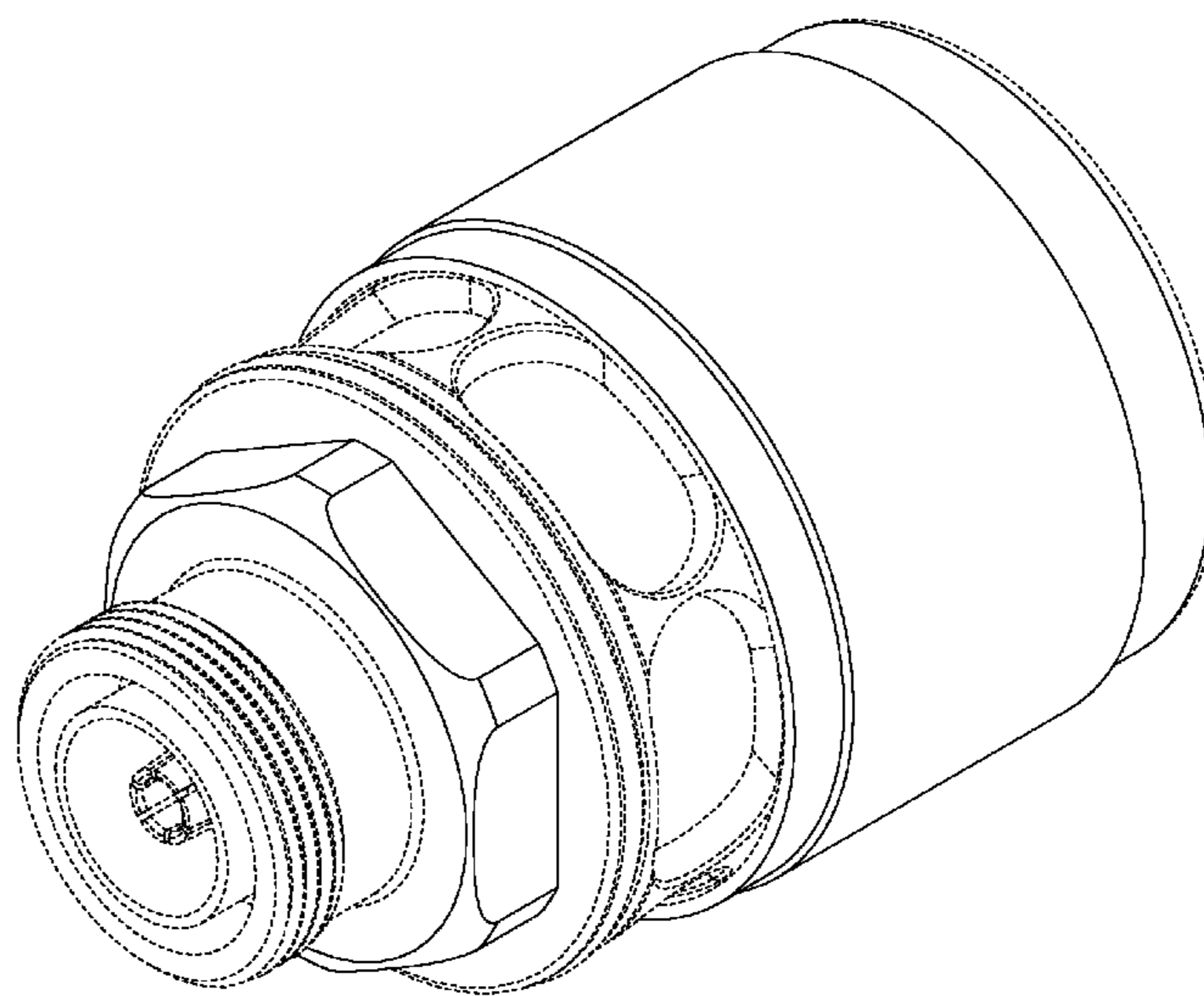
U.S. PATENT DOCUMENTS

- D436,076 S * 1/2001 Montena D13/133
- D437,826 S * 2/2001 Montena D13/133
- D505,391 S * 5/2005 Rodrigues et al. D13/151
- D556,693 S 12/2007 Montena
- D571,732 S 6/2008 Chawgo et al.
- D572,197 S 7/2008 Chawgo et al.
- D572,198 S 7/2008 Chawgo et al.
- D572,199 S 7/2008 Chawgo et al.
- D572,200 S 7/2008 Chawgo
- D572,663 S 7/2008 Chawgo et al.
- D574,780 S 8/2008 Chawgo et al.
- D574,781 S 8/2008 Chawgo et al.
- D574,782 S 8/2008 Chawgo et al.
- D574,783 S 8/2008 Chawgo et al.
- D574,784 S 8/2008 Chawgo
- D577,681 S 9/2008 Amidon
- D577,682 S 9/2008 Amidon
- D577,683 S 9/2008 Chawgo et al.
- D578,073 S 10/2008 Amidon

DESCRIPTION

FIG. 1 is a front perspective view of the present invention showing our design for an open compression-type coaxial cable connector;
FIG. 2 is a back perspective view thereof;
FIG. 3 is a top view thereof, the claimed portion of which is a mirror image to a bottom view;
FIG. 4 is a right side view thereof, the claimed portion of which is a mirror image to a left side view;
FIG. 5 is an enlarged front view thereof;
FIG. 6 is an enlarged back view thereof; and,
FIG. 7 is a front perspective view thereof, in a usage condition.
Broken lines, where shown, show unclaimed subject matter only and form no part of the claimed design.

1 Claim, 7 Drawing Sheets



US D662,059 S

Page 2

| U.S. PATENT DOCUMENTS | | | | | |
|-----------------------|---------|--------------|---------------------|--------|-----------------------------|
| D644,612 S | 9/2011 | Purdy et al. | 2007/0042642 A1* | 2/2007 | Montena et al. 439/578 |
| D644,998 S | 9/2011 | Purdy et al. | 2010/0112855 A1* | 5/2010 | Paynter et al. 439/584 |
| D646,225 S | 10/2011 | Purdy et al. | 2011/0009000 A1* | 1/2011 | Paynter 439/584 |
| D646,226 S | 10/2011 | Purdy et al. | * cited by examiner | | |

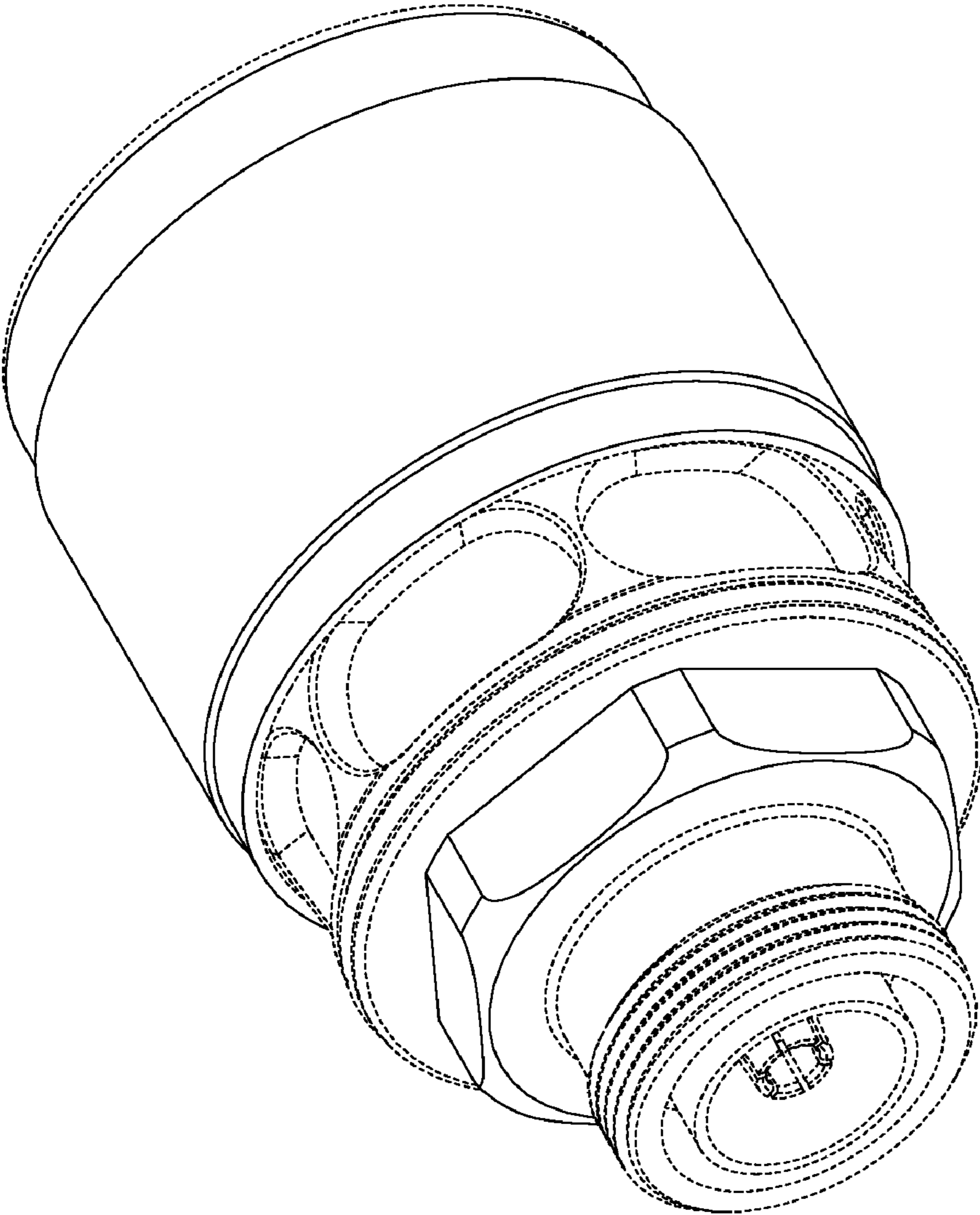


FIG. 1

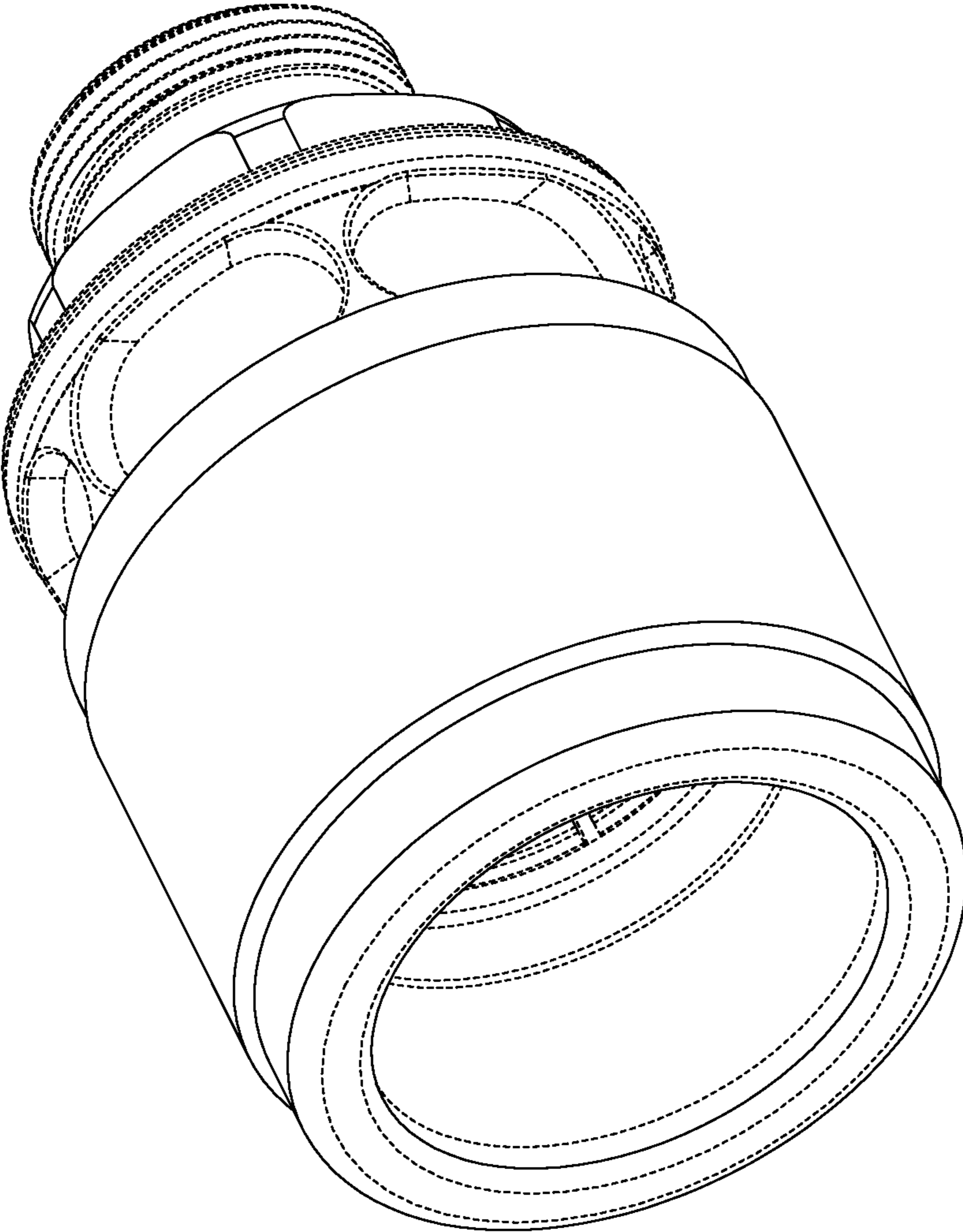


FIG. 2

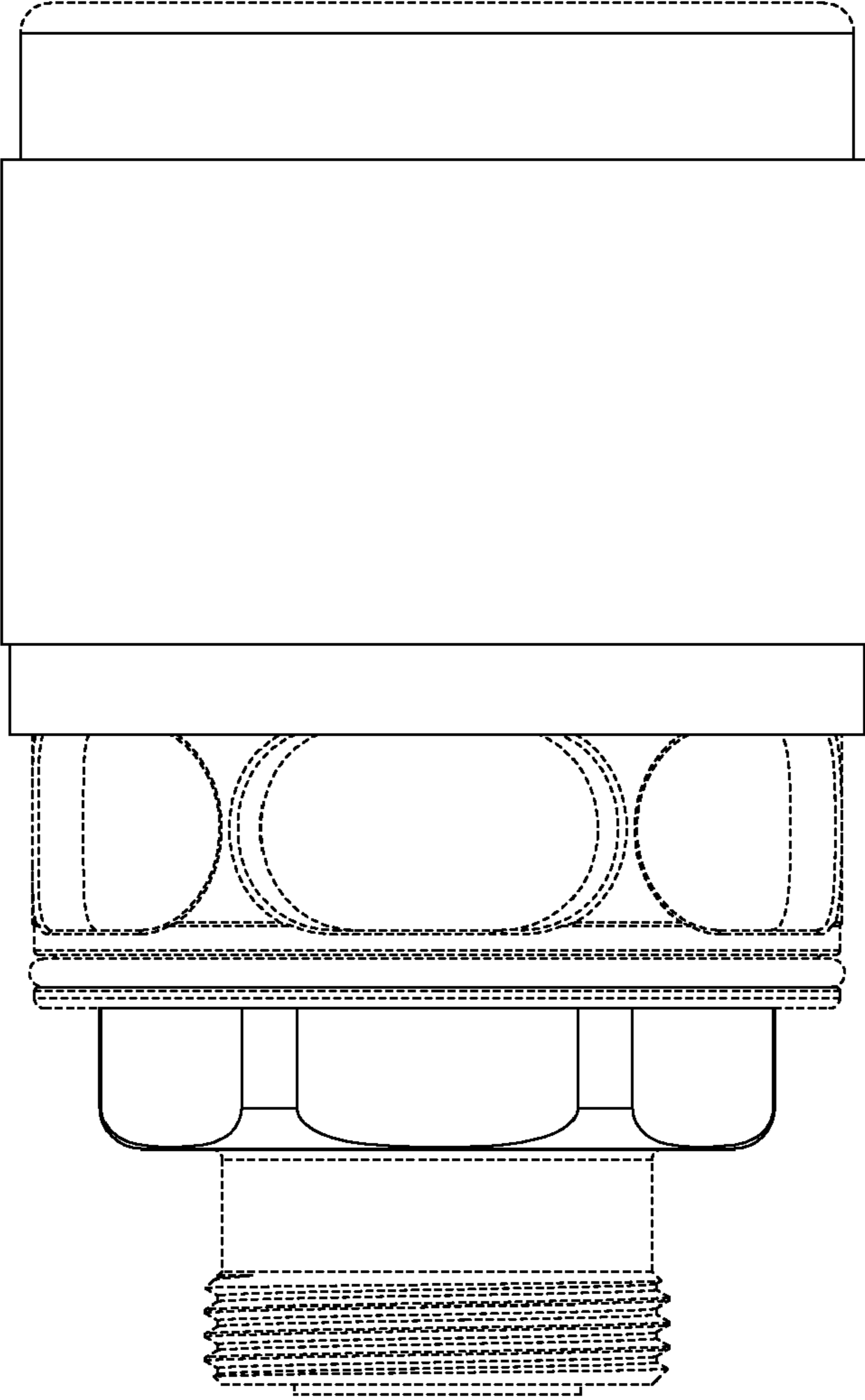


FIG. 3

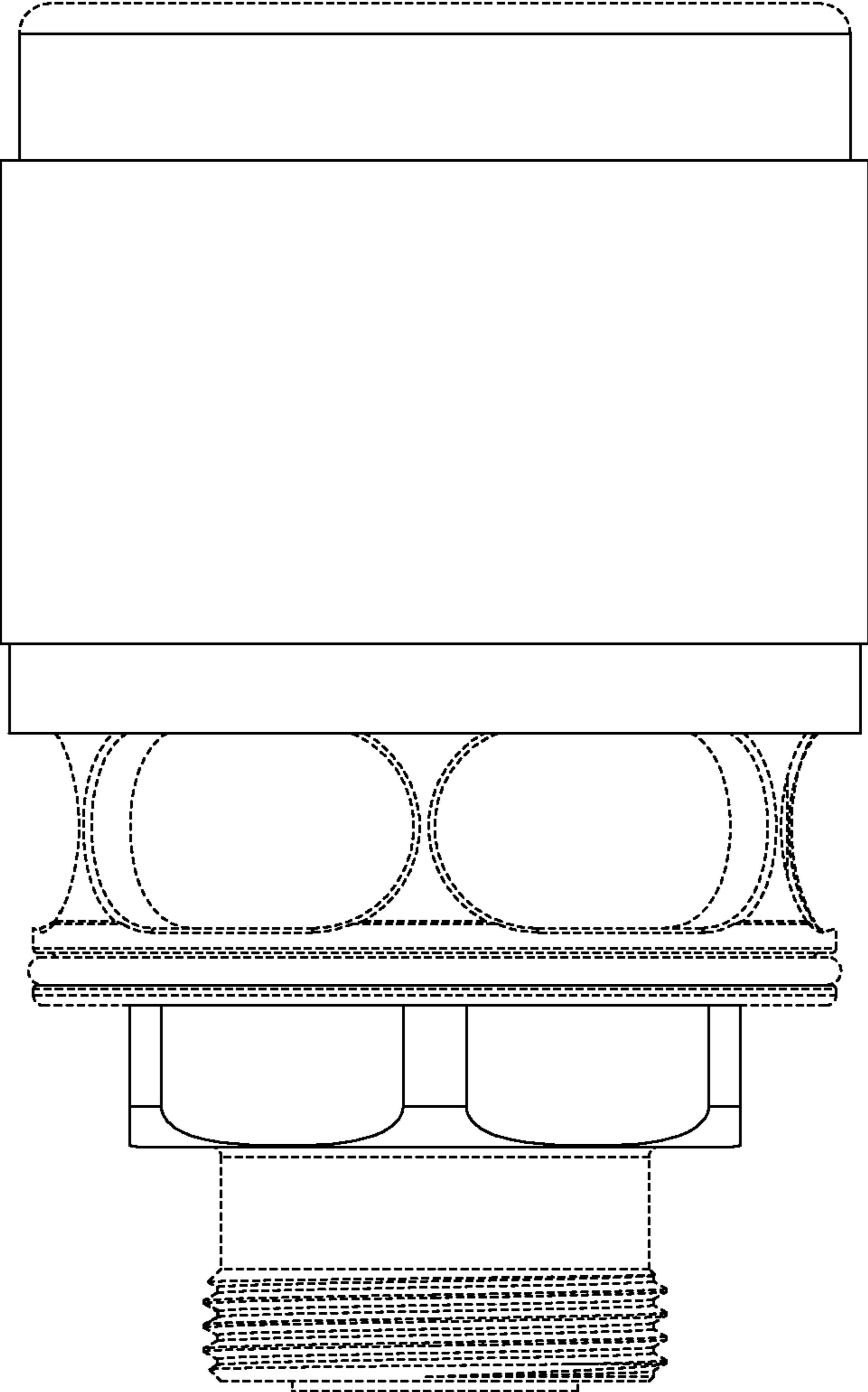


FIG. 4

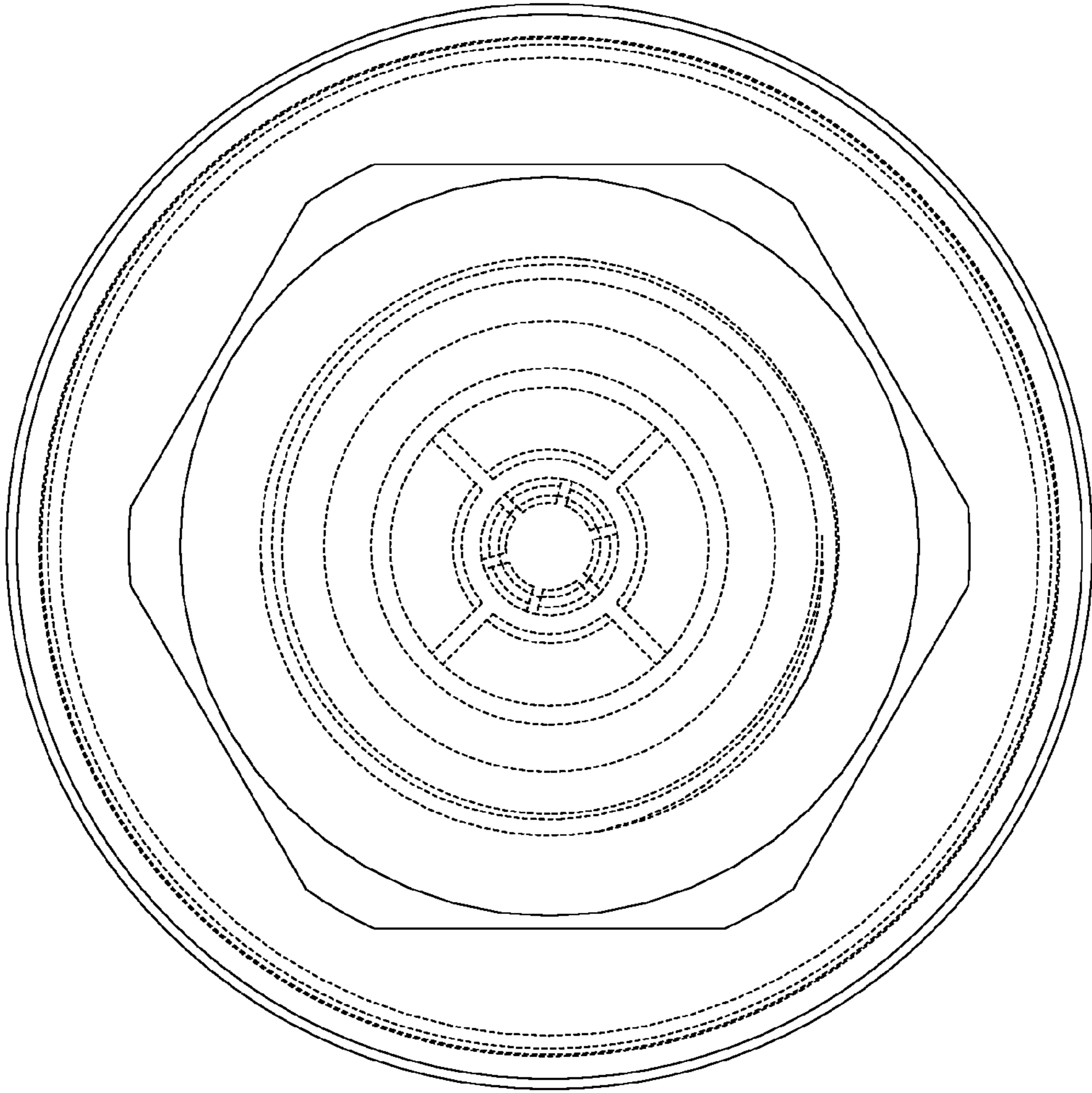


FIG. 5

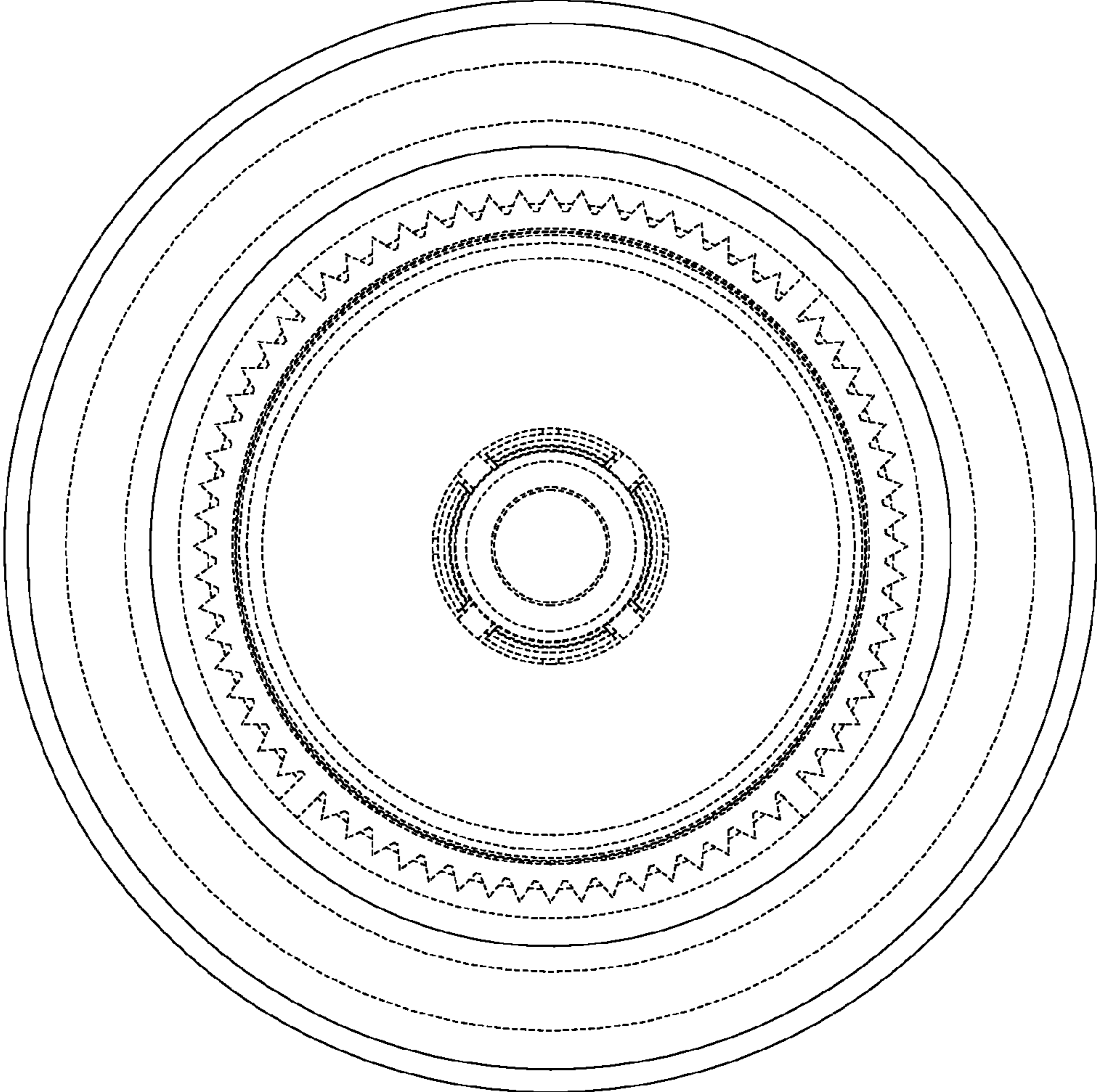


FIG. 6

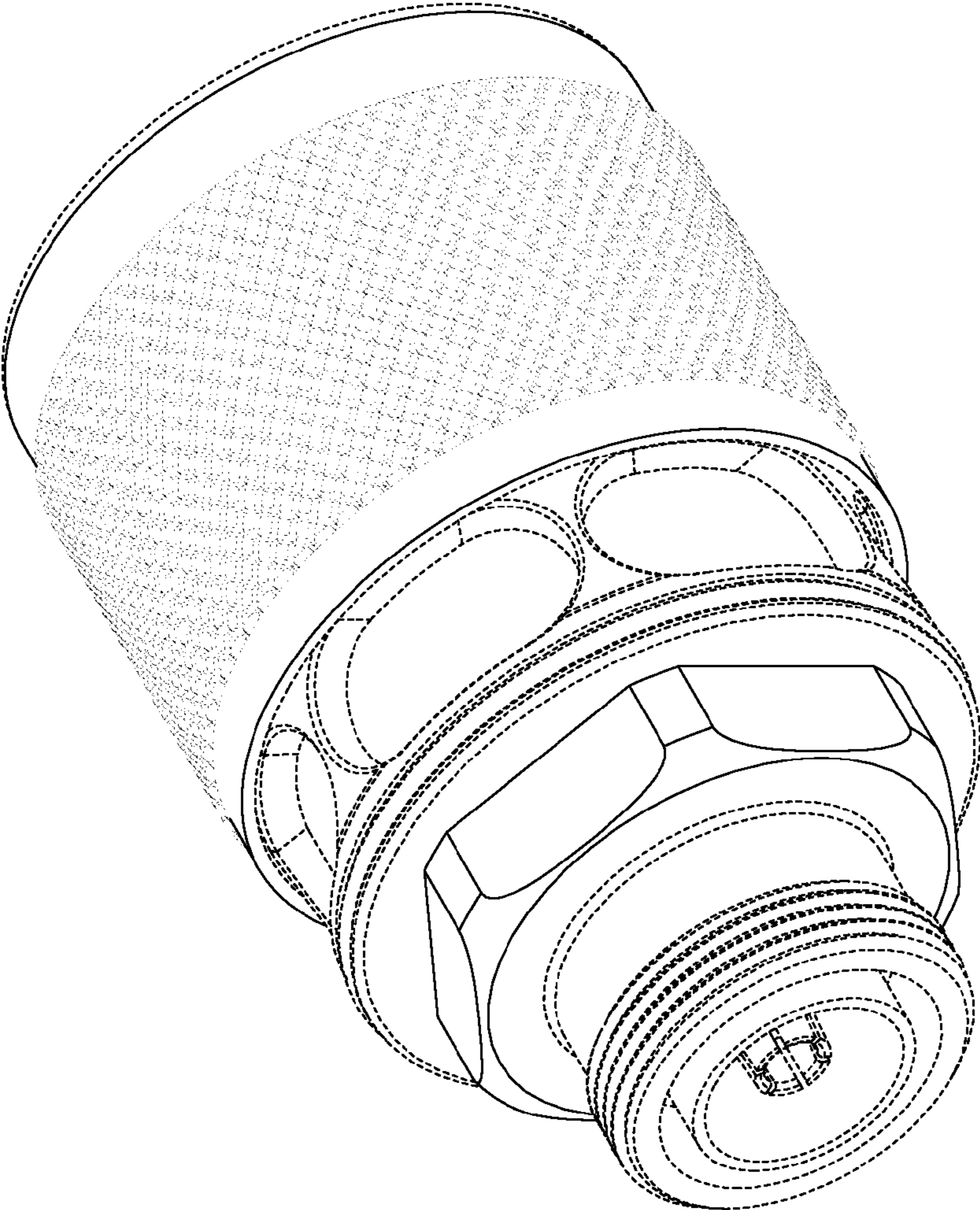


FIG. 7