

US00D662054S

(12) **United States Design Patent**
Urano

(10) **Patent No.:** **US D662,054 S**
(45) **Date of Patent:** **** Jun. 19, 2012**

(54) **COIL PART**

(75) Inventor: **Yuichiro Urano**, Chuo-ku (JP)

(73) Assignee: **Sumida Corporation** (JP)

(**) Term: **14 Years**

(21) Appl. No.: **29/411,113**

(22) Filed: **Jan. 17, 2012**

(30) **Foreign Application Priority Data**

Jul. 25, 2011 (JP) 2011-016997

(51) **LOC (9) Cl.** **13-02**

(52) **U.S. Cl.** **D13/117**

(58) **Field of Classification Search** D13/117,
D13/101, 118, 130, 183, 199; 123/634; 250/231.12;
336/83, 90, 92, 96, 160, 178, 192, 198, 200;
D15/199; D8/349, 354, 366
See application file for complete search history.

(56) **References Cited**

U.S. PATENT DOCUMENTS

5,175,525 A * 12/1992 Smith 336/83
D436,310 S * 1/2001 Arnold D8/354
7,129,810 B1 * 10/2006 Kimura 336/83
7,471,179 B2 * 12/2008 Hatakeyama et al. 336/192

D586,745 S * 2/2009 Shibata et al. D13/117
D629,749 S * 12/2010 Kobayashi et al. D13/118
D649,115 S * 11/2011 Miura D13/117

* cited by examiner

Primary Examiner — Derrick Holland

(74) *Attorney, Agent, or Firm* — Harness, Dickey & Pierce,
P.L.C.

(57) **CLAIM**

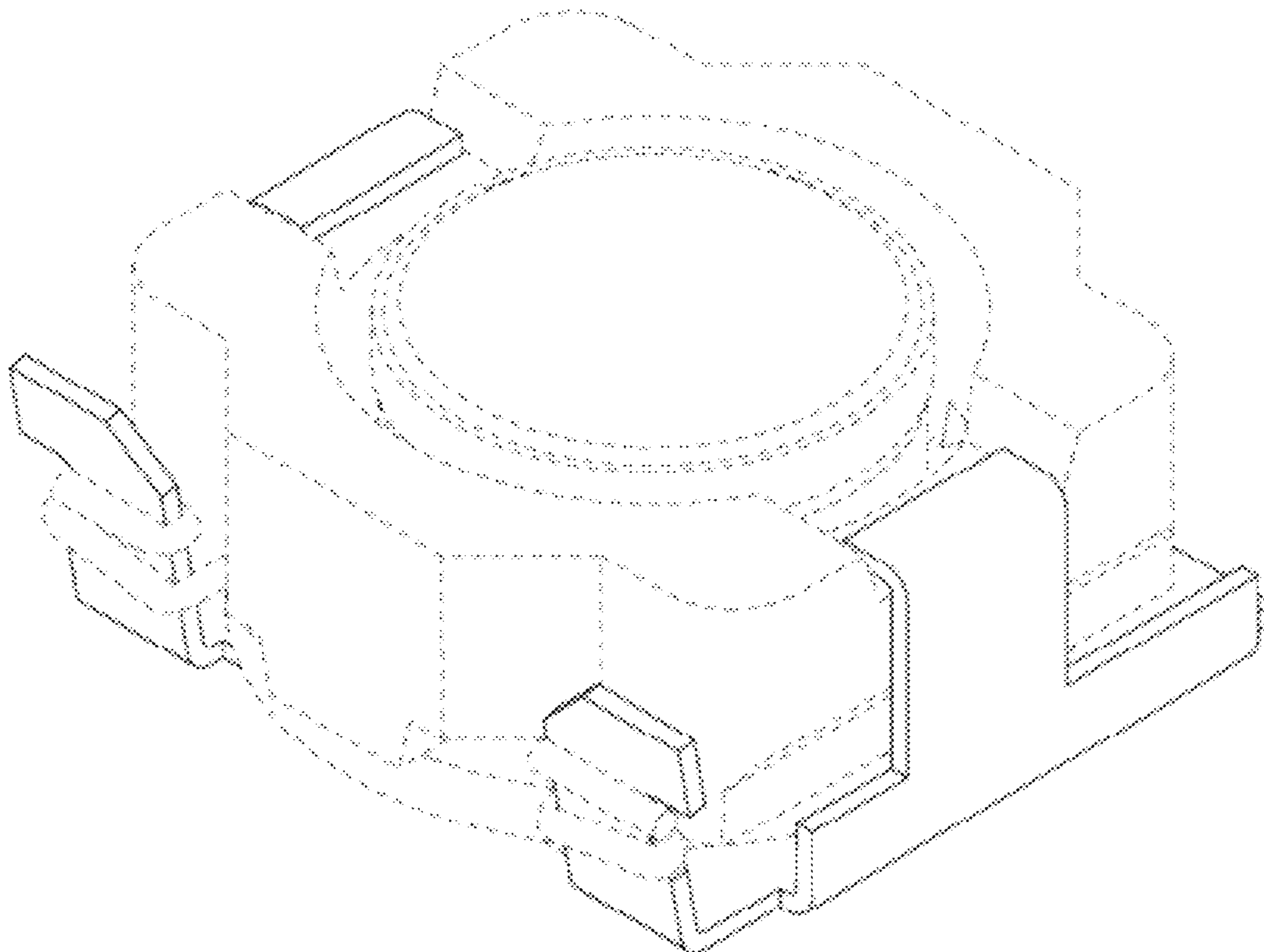
The ornamental design for a coil part, as shown and described.

DESCRIPTION

FIG. 1 is a top, front and right side perspective view of a coil part showing my new design;
FIG. 2 is a top, front and right side perspective view thereof, shown in environmental use;
FIG. 3 is a front view thereof;
FIG. 4 is a rear view thereof;
FIG. 5 is a right side view thereof;
FIG. 6 is a left side view thereof;
FIG. 7 is a top view thereof; and,
FIG. 8 is a bottom view thereof.

The broken lines shown represent unclaimed subject matter and form no part of the claimed design.

1 Claim, 5 Drawing Sheets



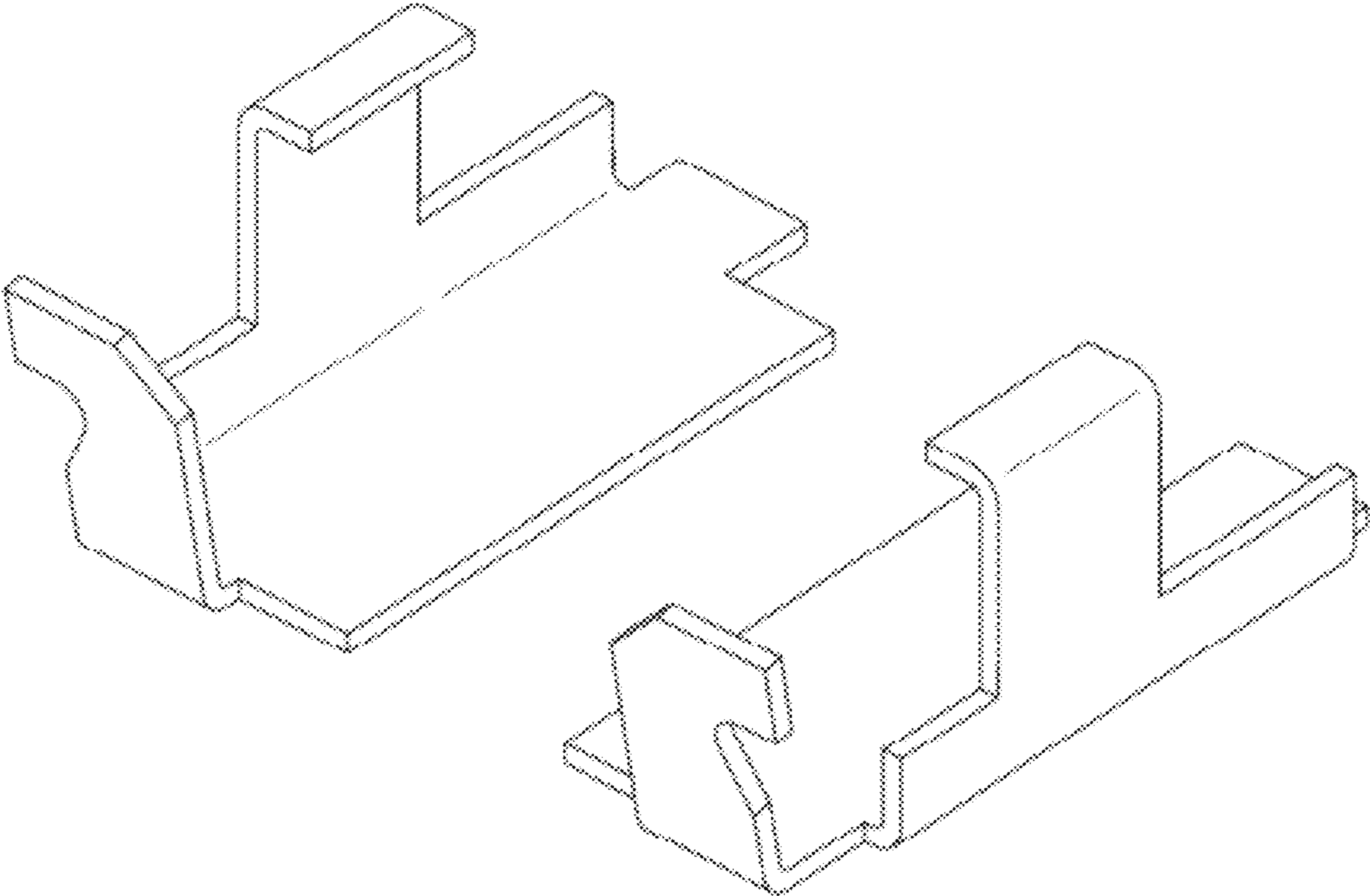


FIG. 1

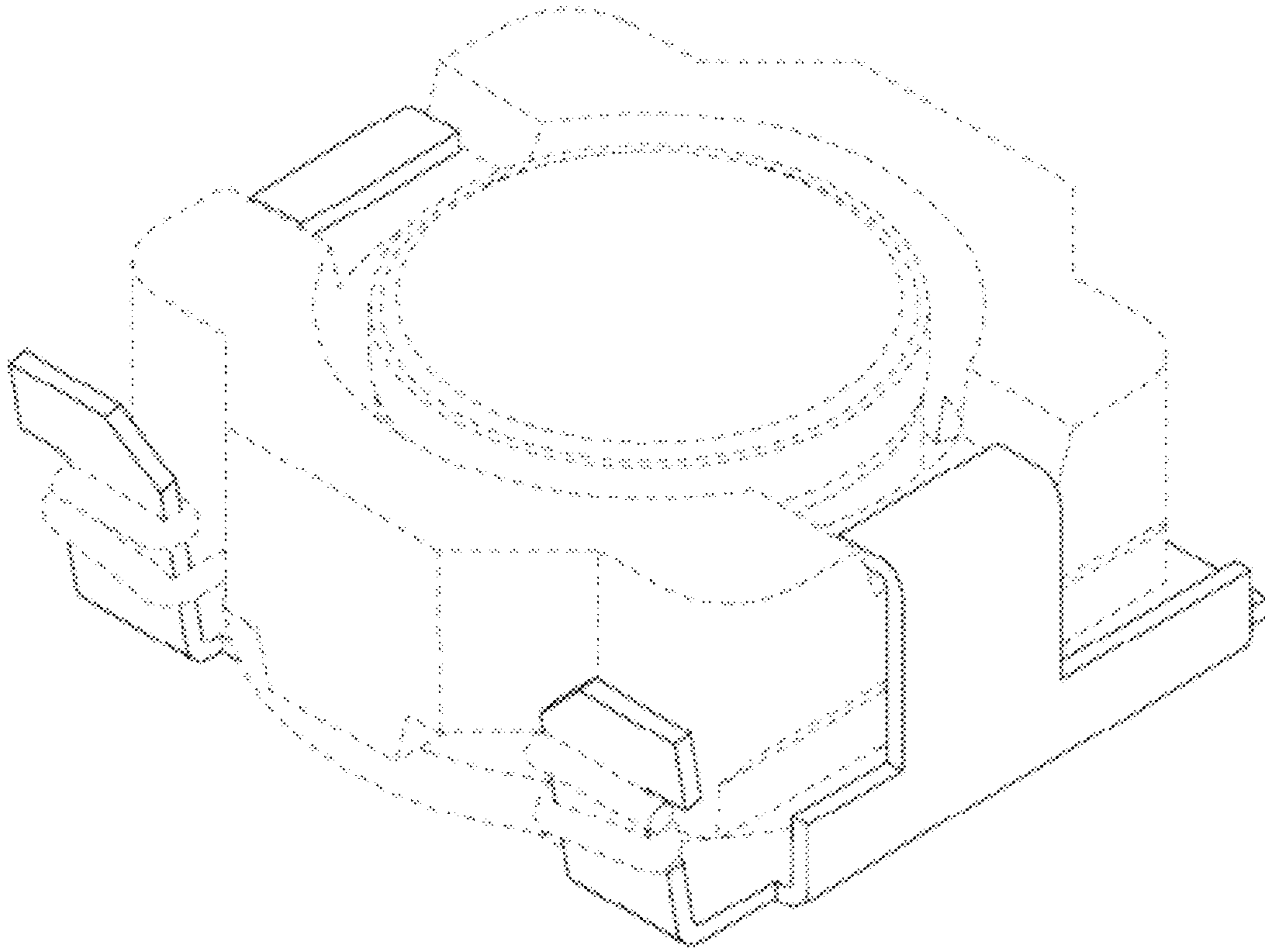


FIG. 2

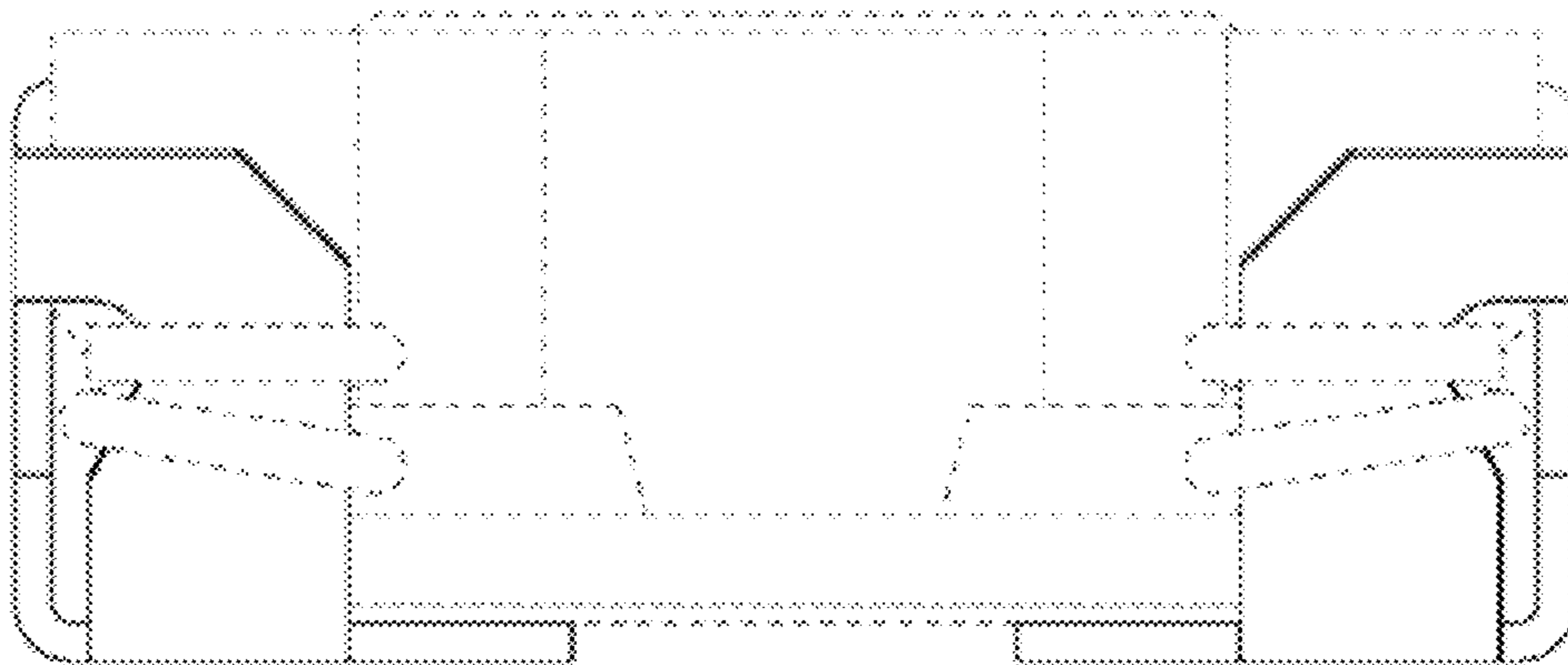


FIG. 3

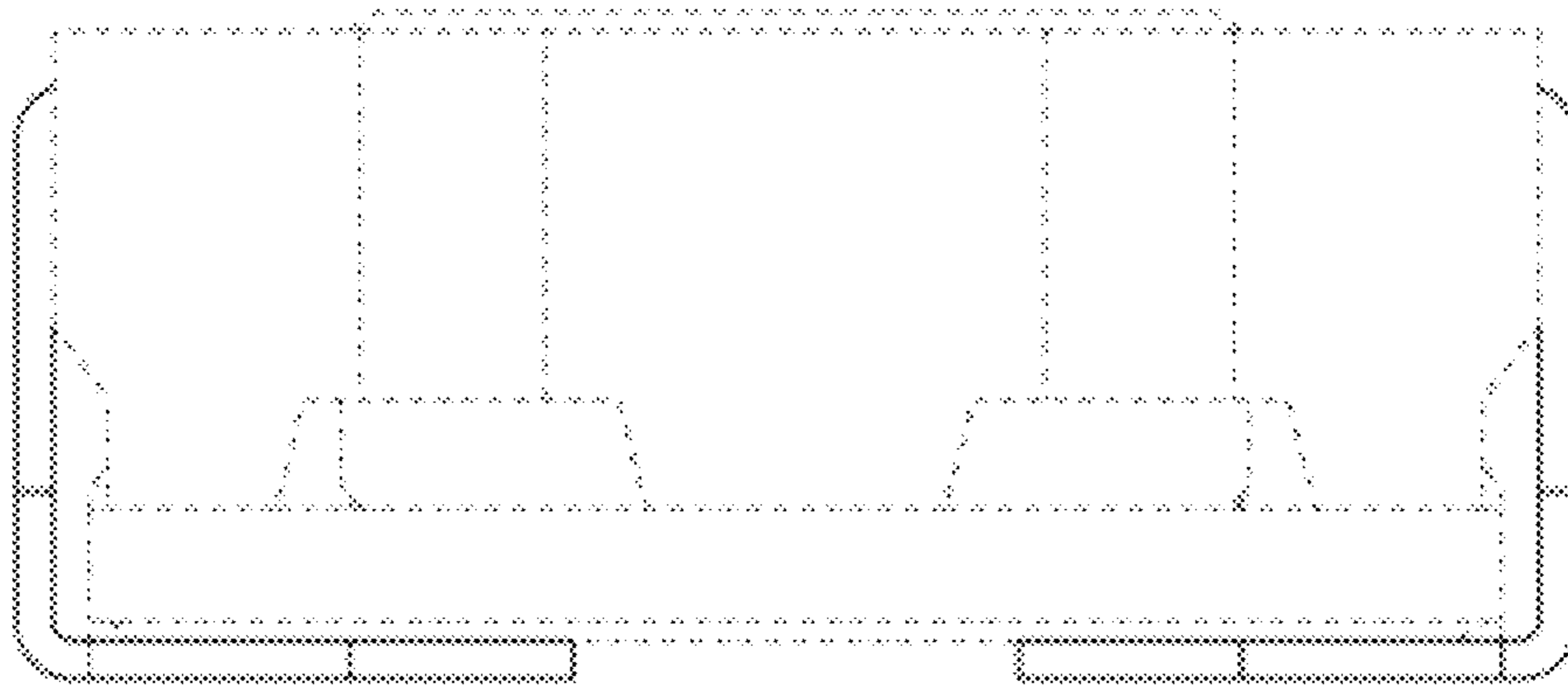


FIG. 4

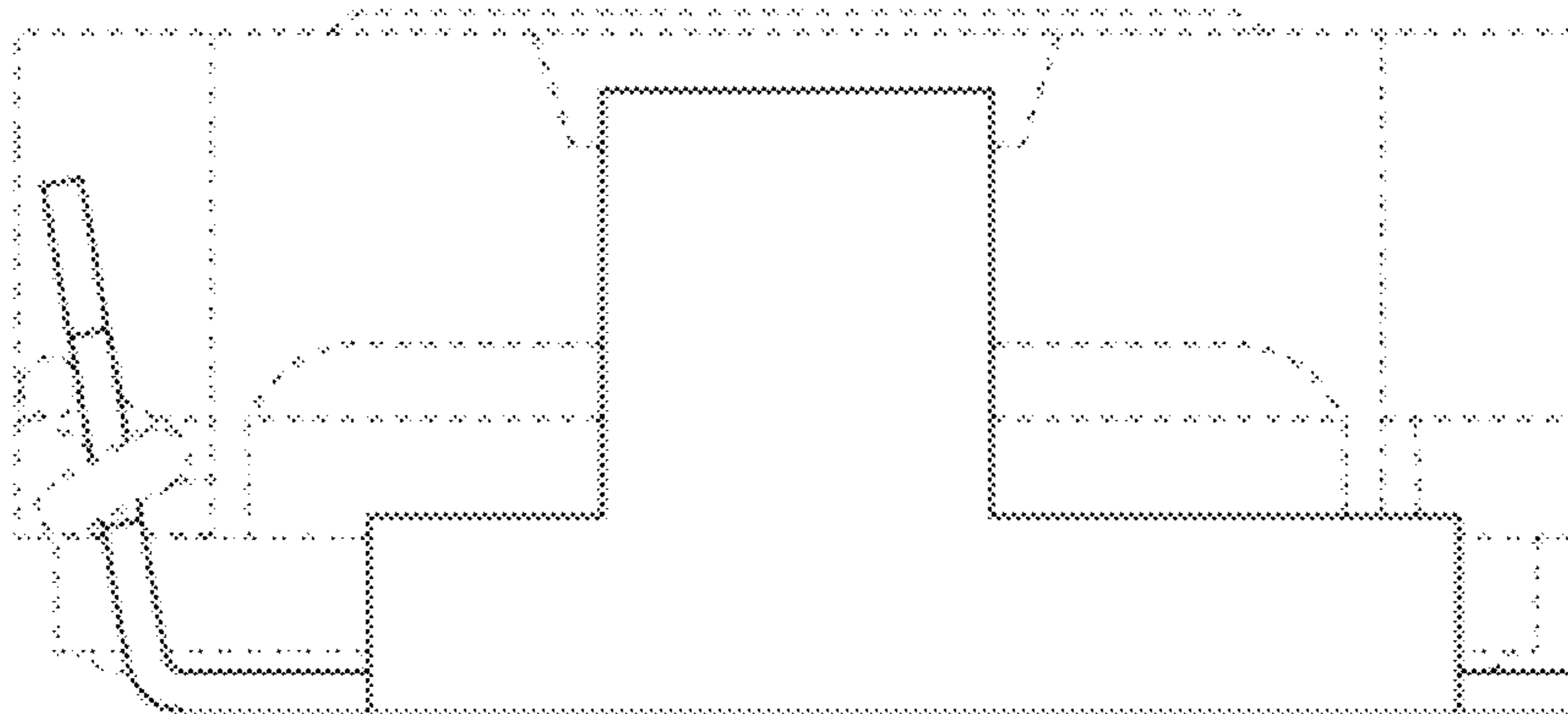


FIG. 5

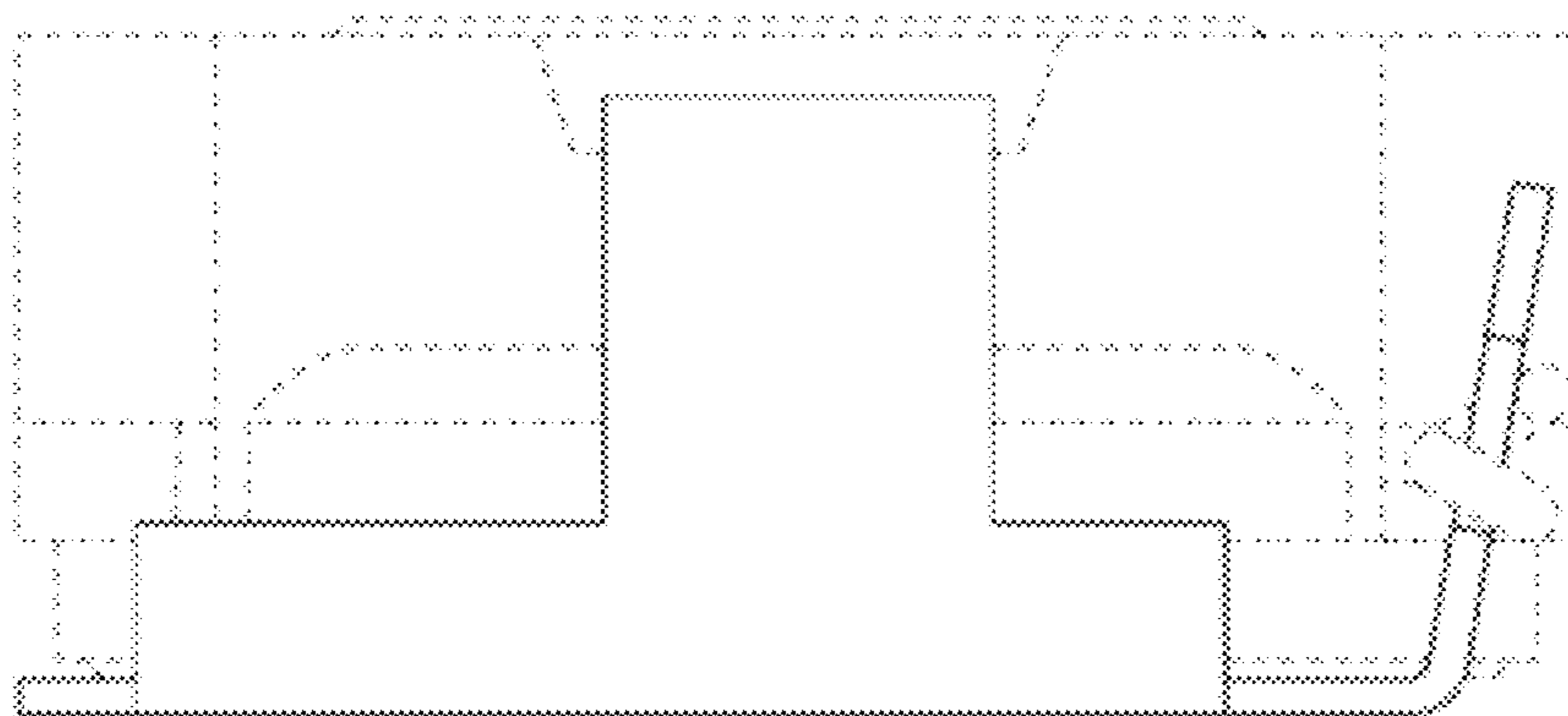


FIG. 6

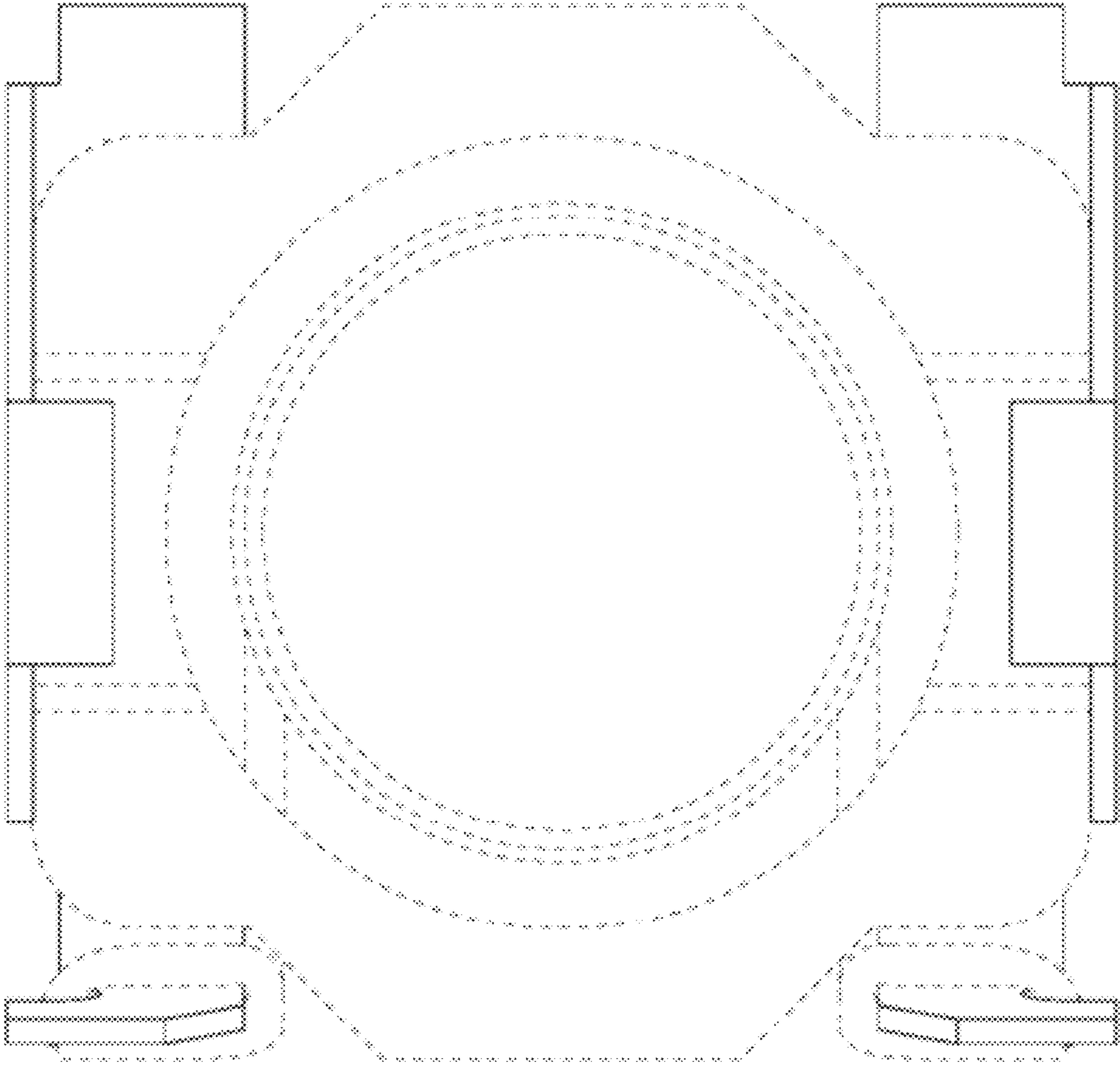


FIG. 7

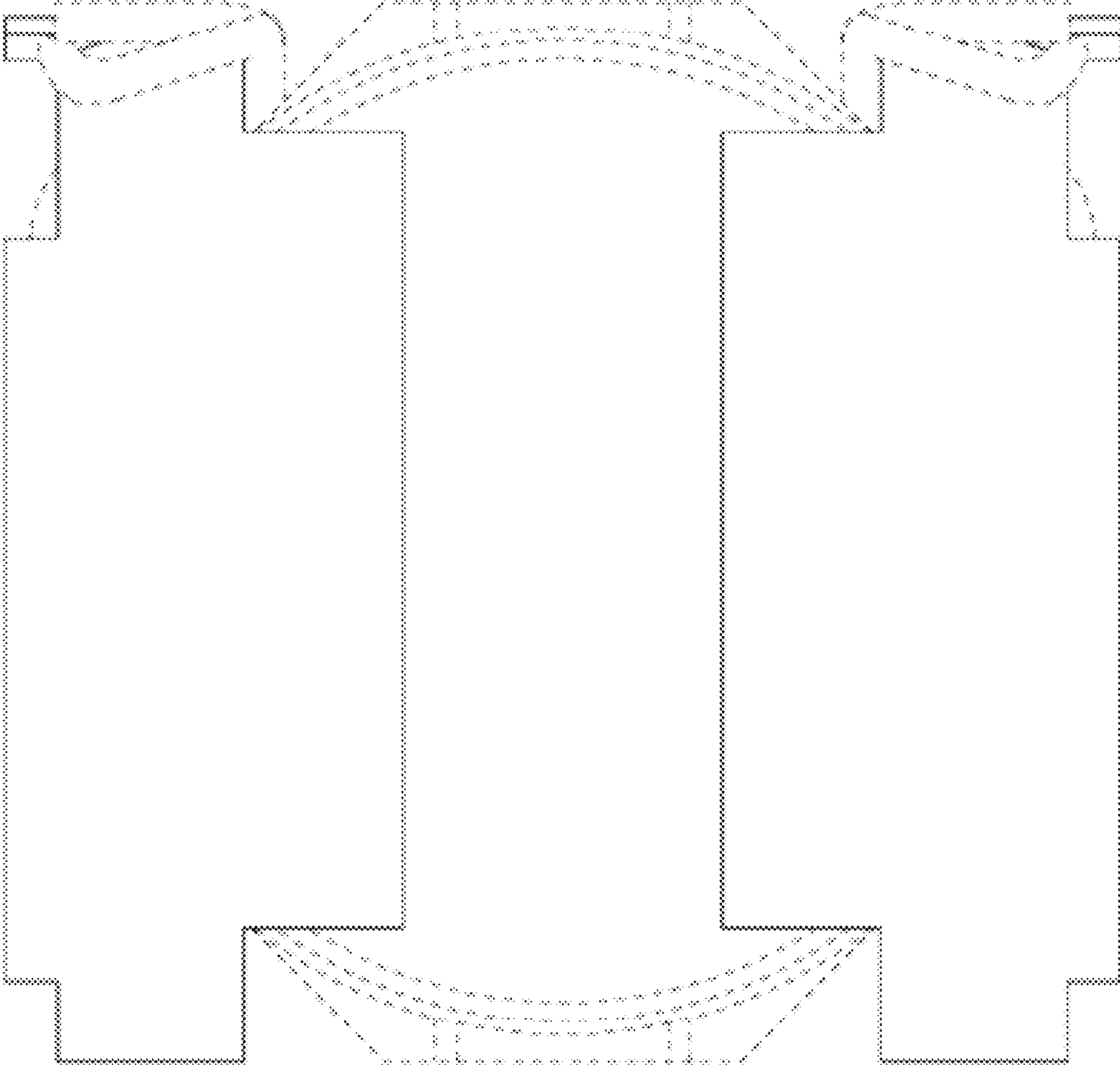


FIG. 8