

US00D662053S

(12) **United States Design Patent**  
**Inskeep**

(10) **Patent No.:** **US D662,053 S**

(45) **Date of Patent:** **\*\* Jun. 19, 2012**

(54) **INVERTER**

(76) Inventor: **Mathew Inskeep**, Boca Raton, FL (US)

(\*\*) Term: **14 Years**

(21) Appl. No.: **29/410,779**

(22) Filed: **Jan. 12, 2012**

(51) **LOC (9) Cl.** ..... **13-02**

(52) **U.S. Cl.** ..... **D13/110**

(58) **Field of Classification Search** ..... D13/110,  
D13/101, 102, 103, 107, 108, 118, 119, 123,  
D13/184, 199; D15/7, 199; 307/62, 82,  
307/109, 150, 151; 320/104, 107, 111, 112,  
320/113, 115, 132, 134, 150; 361/600, 601,  
361/623; 429/96, 97, 98, 99, 100, 163, 170,  
429/176

See application file for complete search history.

(56) **References Cited**

**U.S. PATENT DOCUMENTS**

5,949,640 A \* 9/1999 Cameron et al. .... 361/600  
D504,396 S \* 4/2005 Hussaini et al. .... D13/107  
D504,662 S \* 5/2005 Person et al. .... D13/110

D526,614 S \* 8/2006 Kajiura ..... D13/110  
D559,778 S \* 1/2008 Tsuzuki et al. .... D13/110  
D586,291 S \* 2/2009 Wei ..... D13/102  
D609,180 S \* 2/2010 Suzuki et al. .... D13/110  
D609,634 S \* 2/2010 Daniels et al. .... D13/107

\* cited by examiner

*Primary Examiner* — Derrick Holland

(57) **CLAIM**

The ornamental design for an inverter, as shown.

**DESCRIPTION**

FIG. 1 is a top perspective view of the inverter showing my new design.

FIG. 2 is a bottom perspective view.

FIG. 3 is a top view.

FIG. 4 is a bottom view.

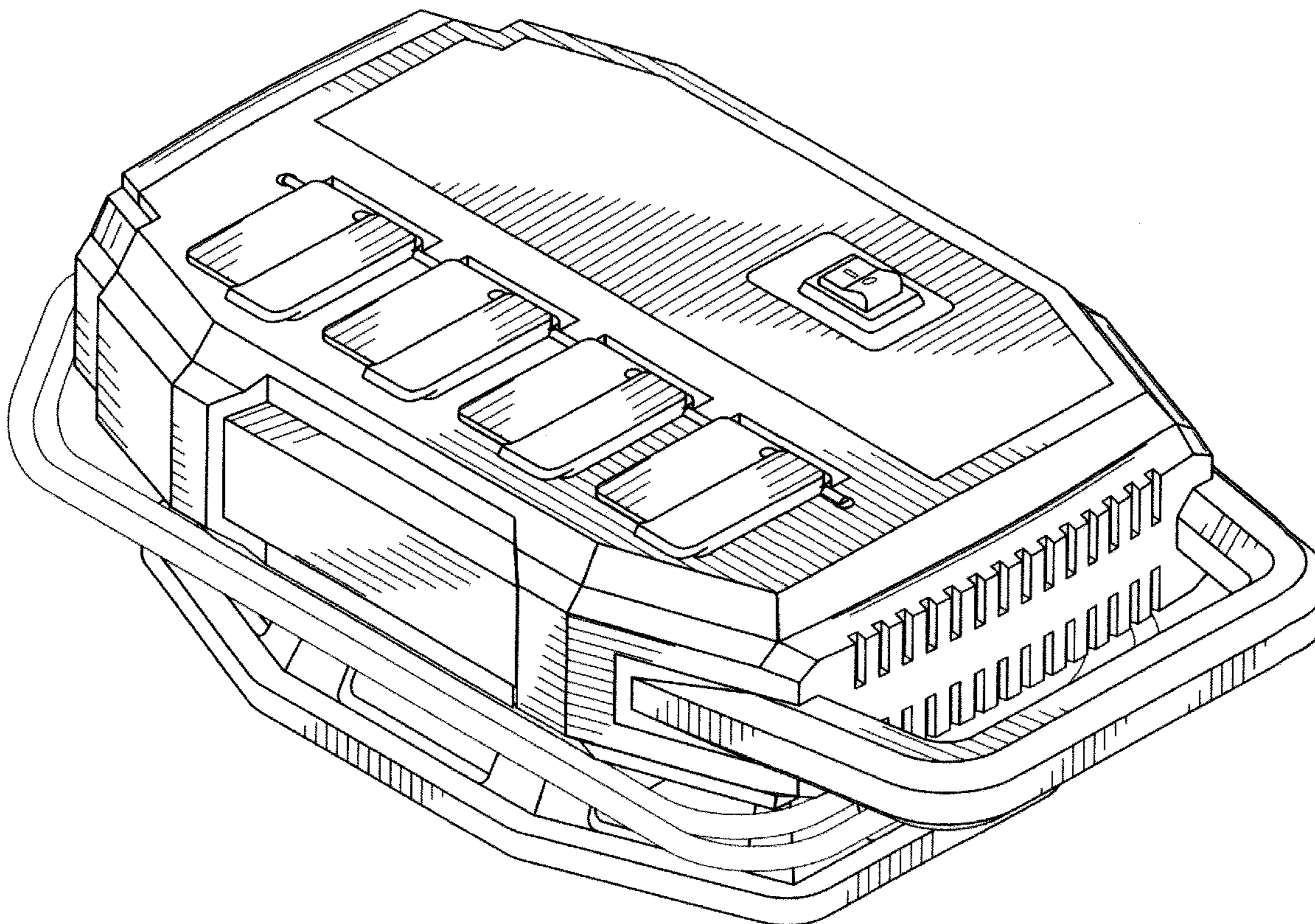
FIG. 5 is right side view thereof.

FIG. 6 is a left side view thereof.

FIG. 7 is a front view thereof; and,

FIG. 8 is a back view thereof.

**1 Claim, 8 Drawing Sheets**



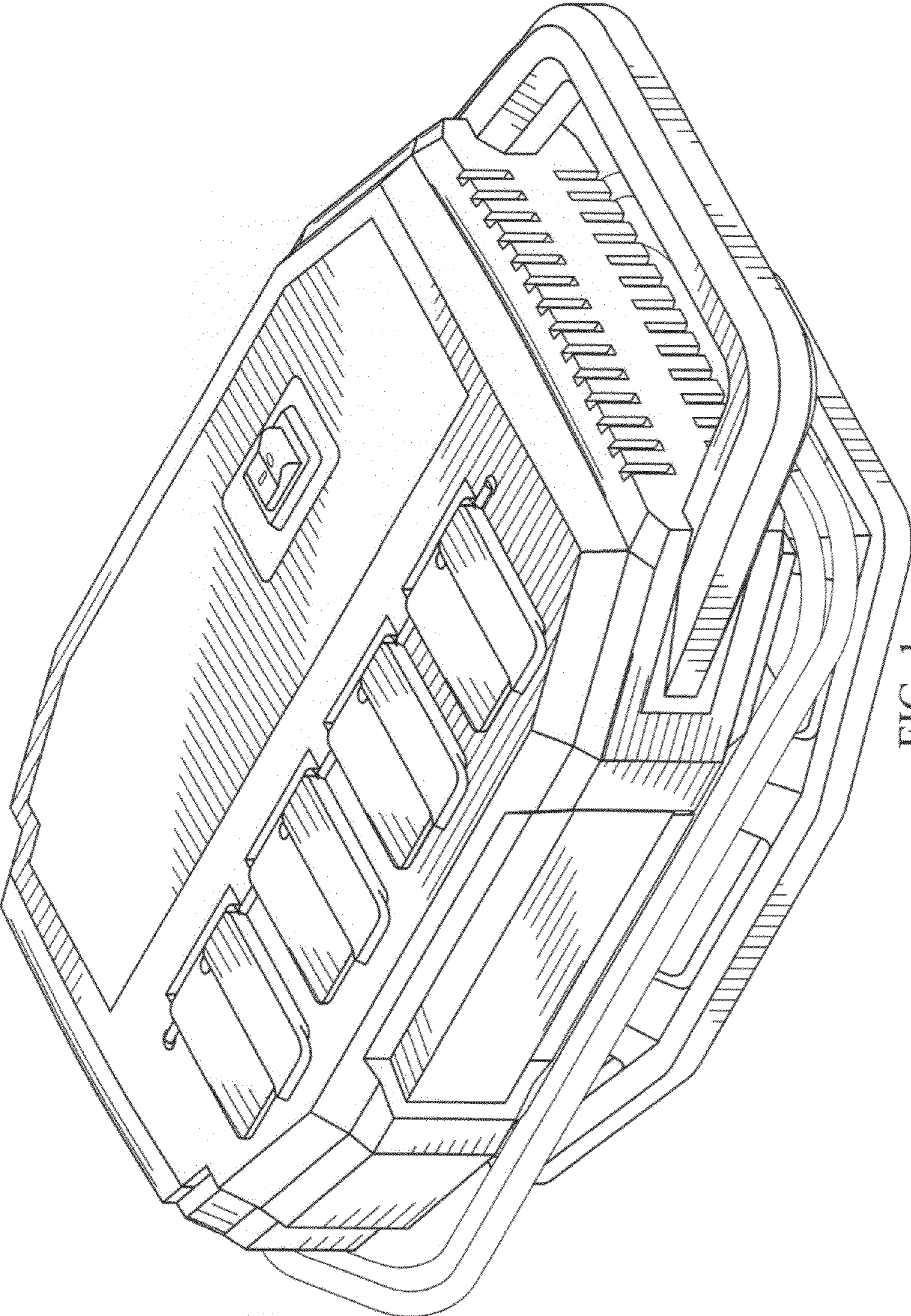


FIG. 1

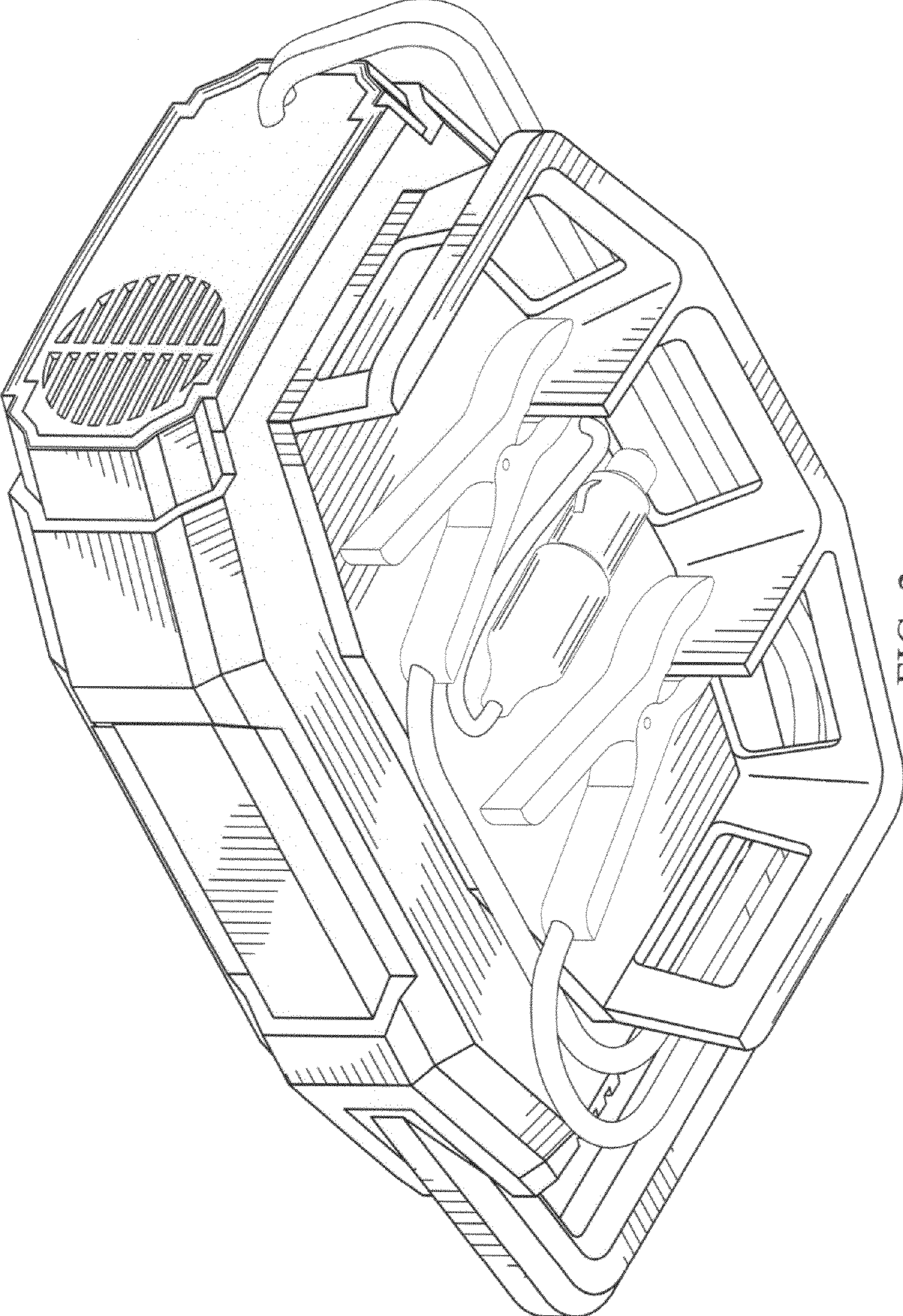


FIG. 2

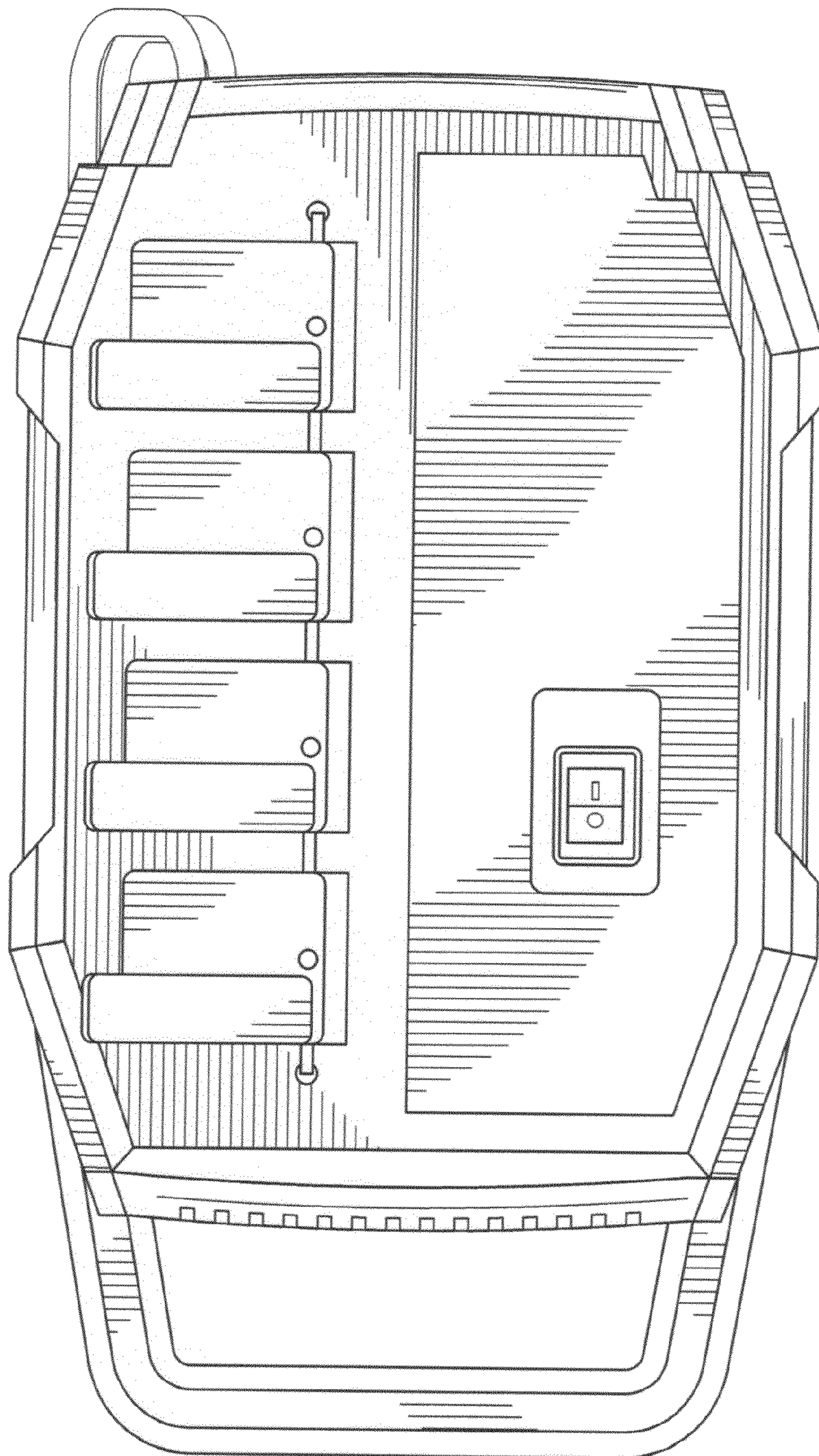


FIG. 3

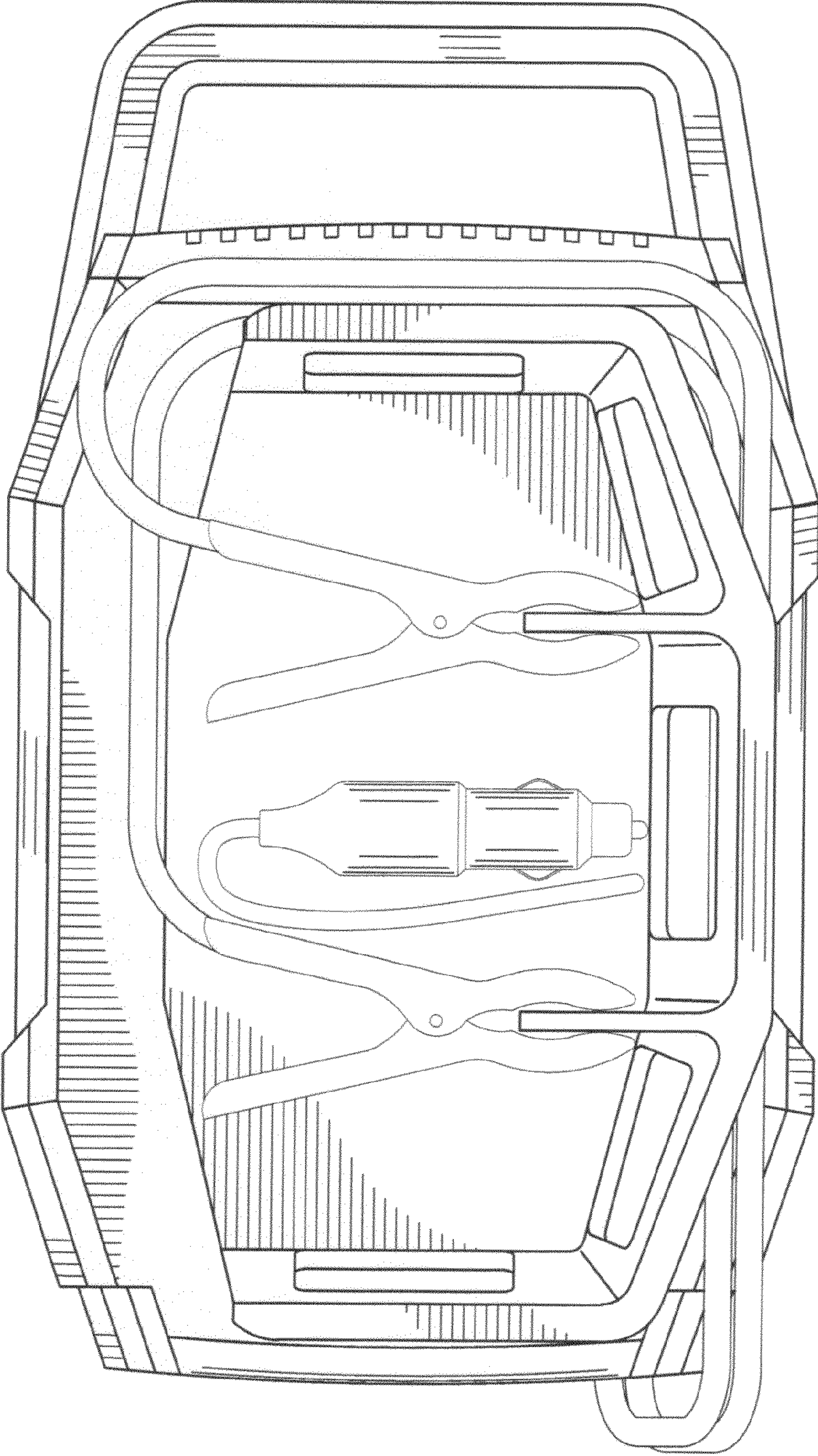


FIG. 4

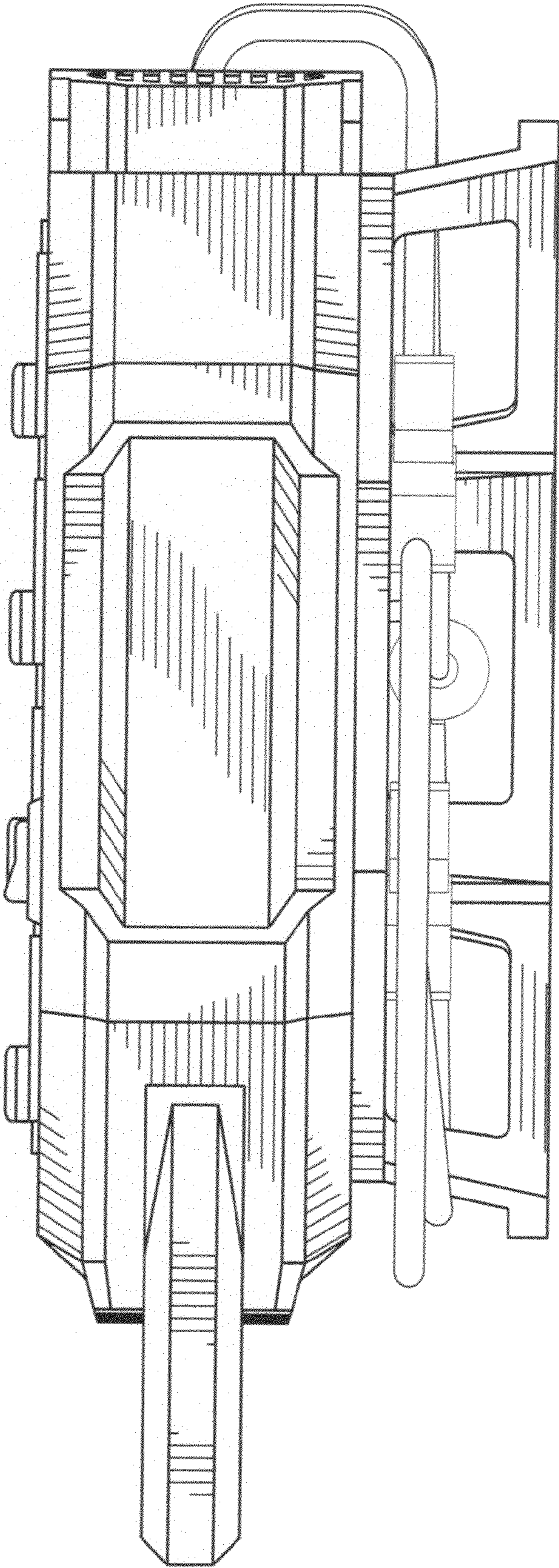


FIG. 5

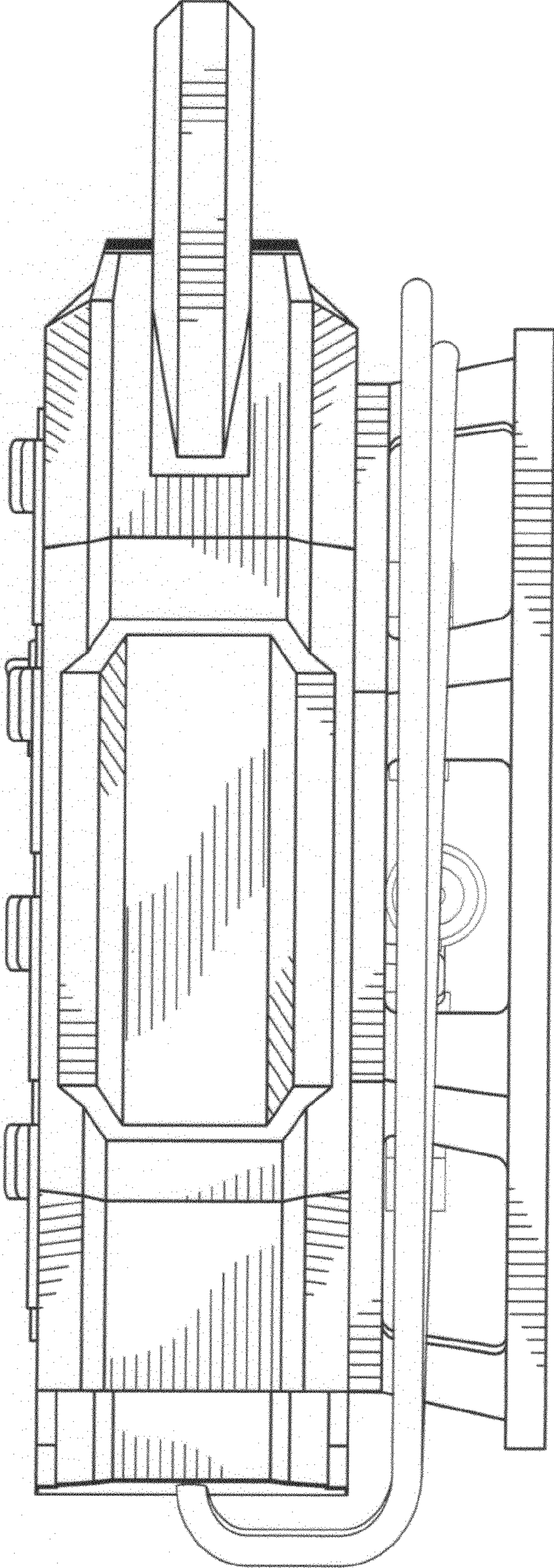


FIG. 6

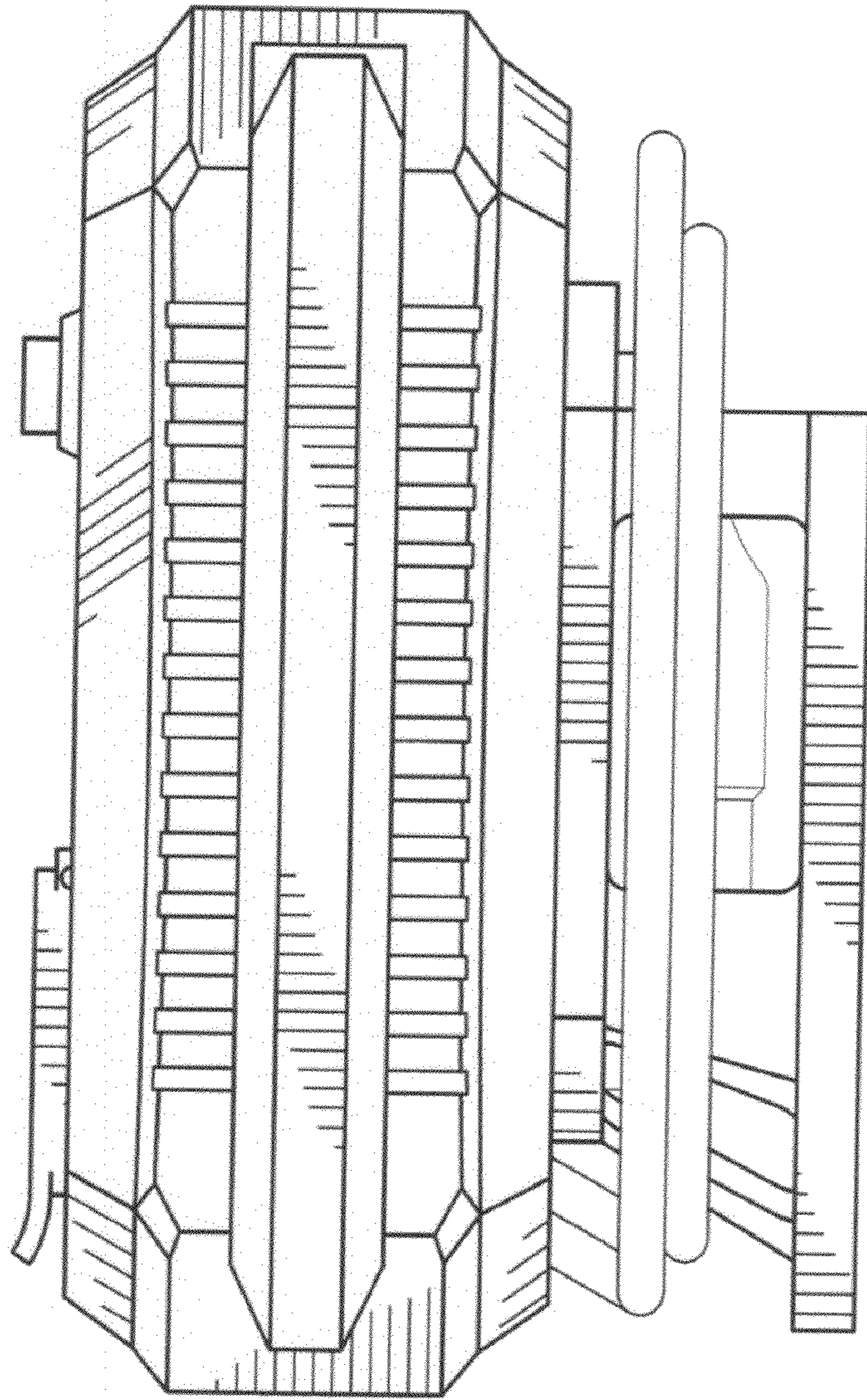


FIG. 7



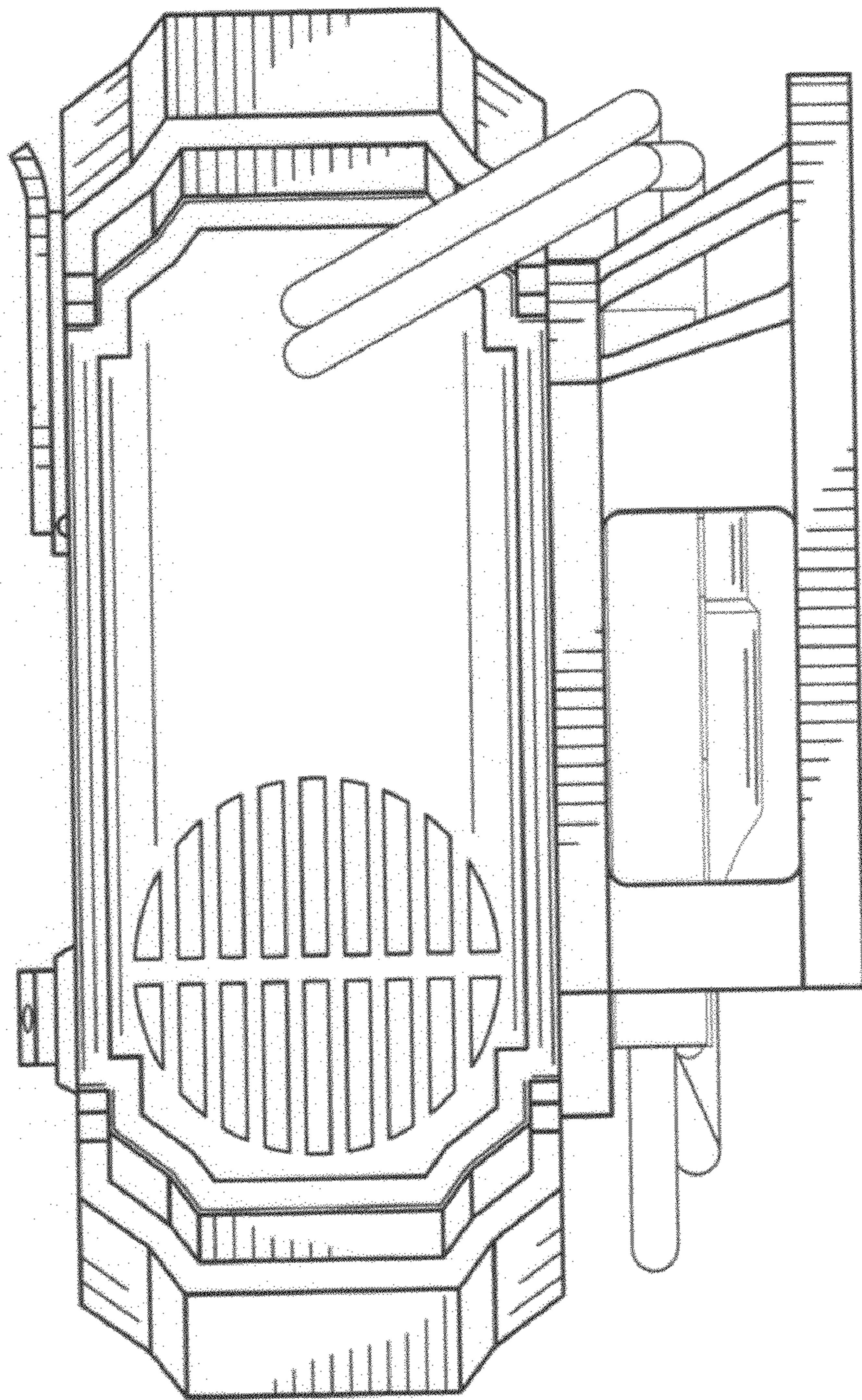


FIG. 8