



US00D662050S

(12) **United States Design Patent**  
**Tien**

(10) **Patent No.:** **US D662,050 S**

(45) **Date of Patent:** **\*\* Jun. 19, 2012**

(54) **PORTABLE POWER BANK**

(75) Inventor: **Li-Wen Tien**, New Taipei (TW)

(73) Assignee: **Hon Hai Precision Industry Co., Ltd.**,  
Tu-Cheng, New Taipei (TW)

(\*\*) Term: **14 Years**

(21) Appl. No.: **29/405,055**

(22) Filed: **Oct. 28, 2011**

(51) **LOC (9) Cl.** ..... **13-02**

(52) **U.S. Cl.** ..... **D13/108**

(58) **Field of Classification Search** ..... D13/107–110,  
D13/118–119, 184; D14/251, 253, 432,  
D14/434; 320/107–115

See application file for complete search history.

(56) **References Cited**

**U.S. PATENT DOCUMENTS**

5,901,056	A	*	5/1999	Hung	.....	363/142
D607,817	S	*	1/2010	Tan	.....	D13/108
D628,153	S	*	11/2010	Fujii et al.	.....	D13/108
D628,535	S	*	12/2010	Cheng	.....	D13/108
D637,952	S	*	5/2011	Tan	.....	D13/108
D645,049	S	*	9/2011	Faranda et al.	.....	D14/480.5

D645,050	S	*	9/2011	Faranda et al.	.....	D14/480.5
D650,328	S	*	12/2011	Fitch et al.	.....	D13/107
D652,379	S	*	1/2012	Vandiver	.....	D13/108

\* cited by examiner

*Primary Examiner* — Rosemary K Tarcza

(74) *Attorney, Agent, or Firm* — Altis Law Group, Inc.

(57) **CLAIM**

The ornamental design for a portable power bank, as shown and described.

**DESCRIPTION**

FIG. 1 is a perspective view of a portable power bank showing my new design;

FIG. 2 is a front elevational view thereof;

FIG. 3 is a rear elevational view thereof;

FIG. 4 is a left side elevational view thereof;

FIG. 5 is a right side elevational view thereof;

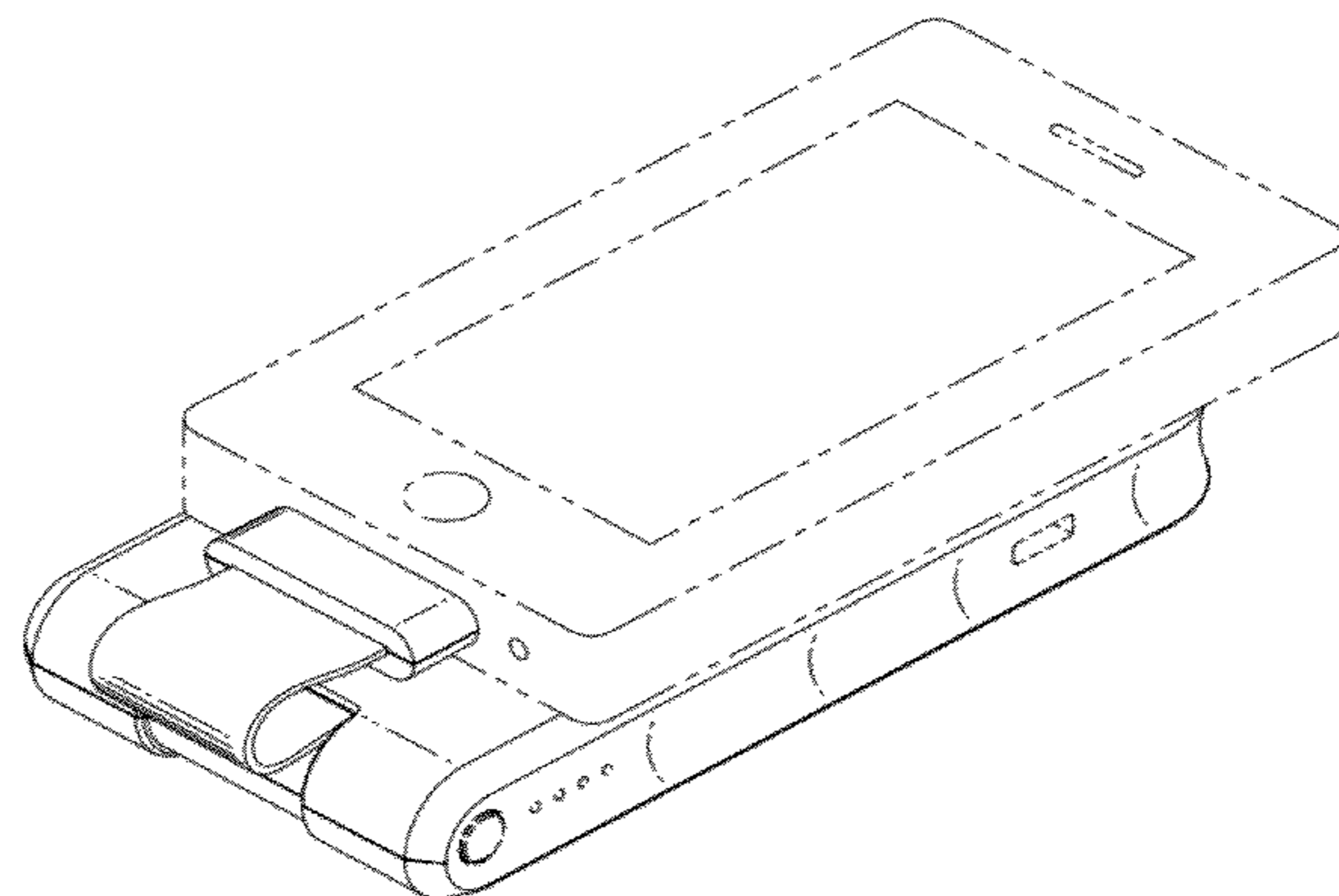
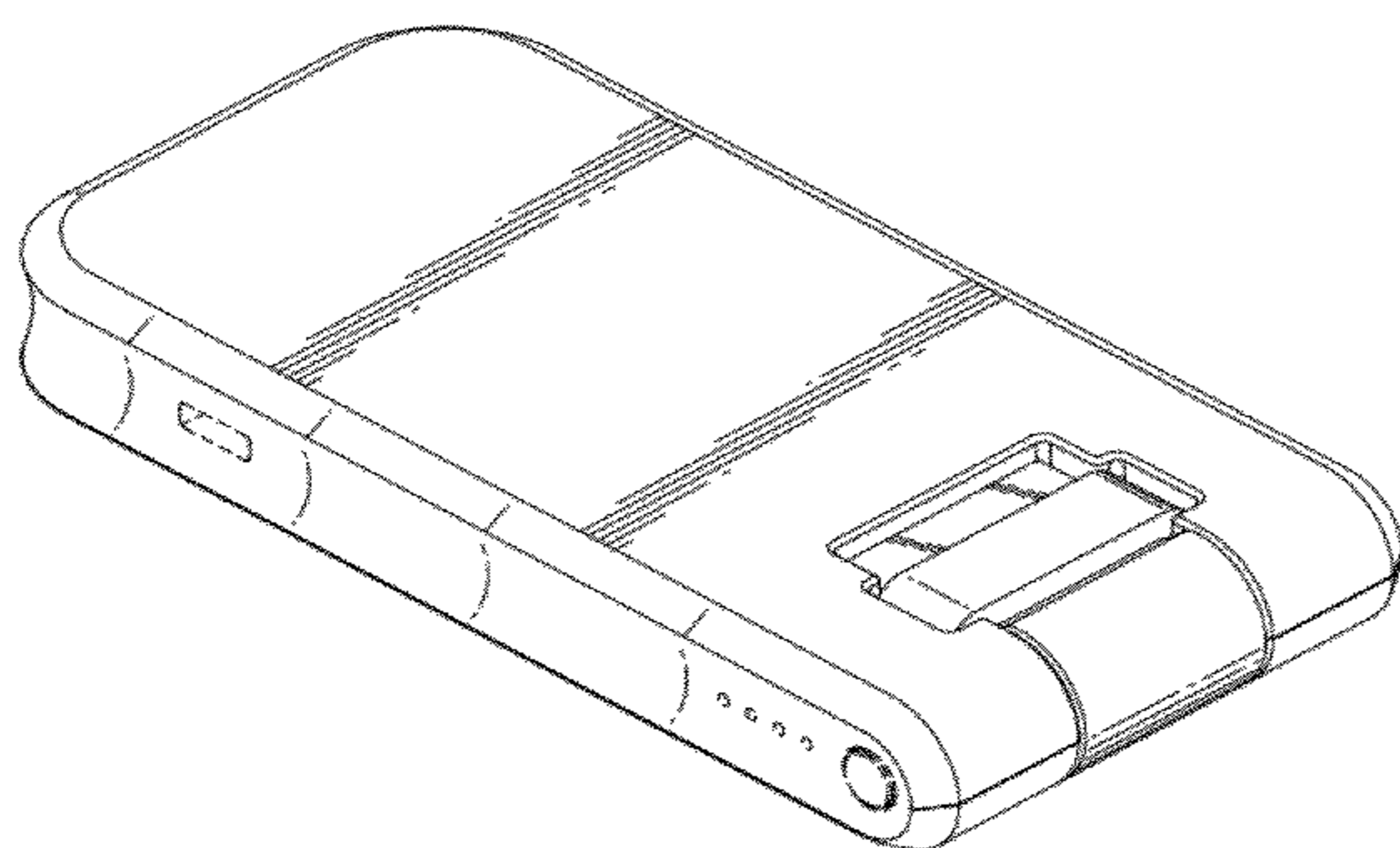
FIG. 6 is a top plan view thereof;

FIG. 7 is a bottom plan view thereof; and,

FIG. 8 is a perspective view of the portable power bank of FIG. 1 with an electronic device connected thereto.

The broken lines of the figures are for the purpose of illustrating environment and form no part of the claimed design.

**1 Claim, 8 Drawing Sheets**



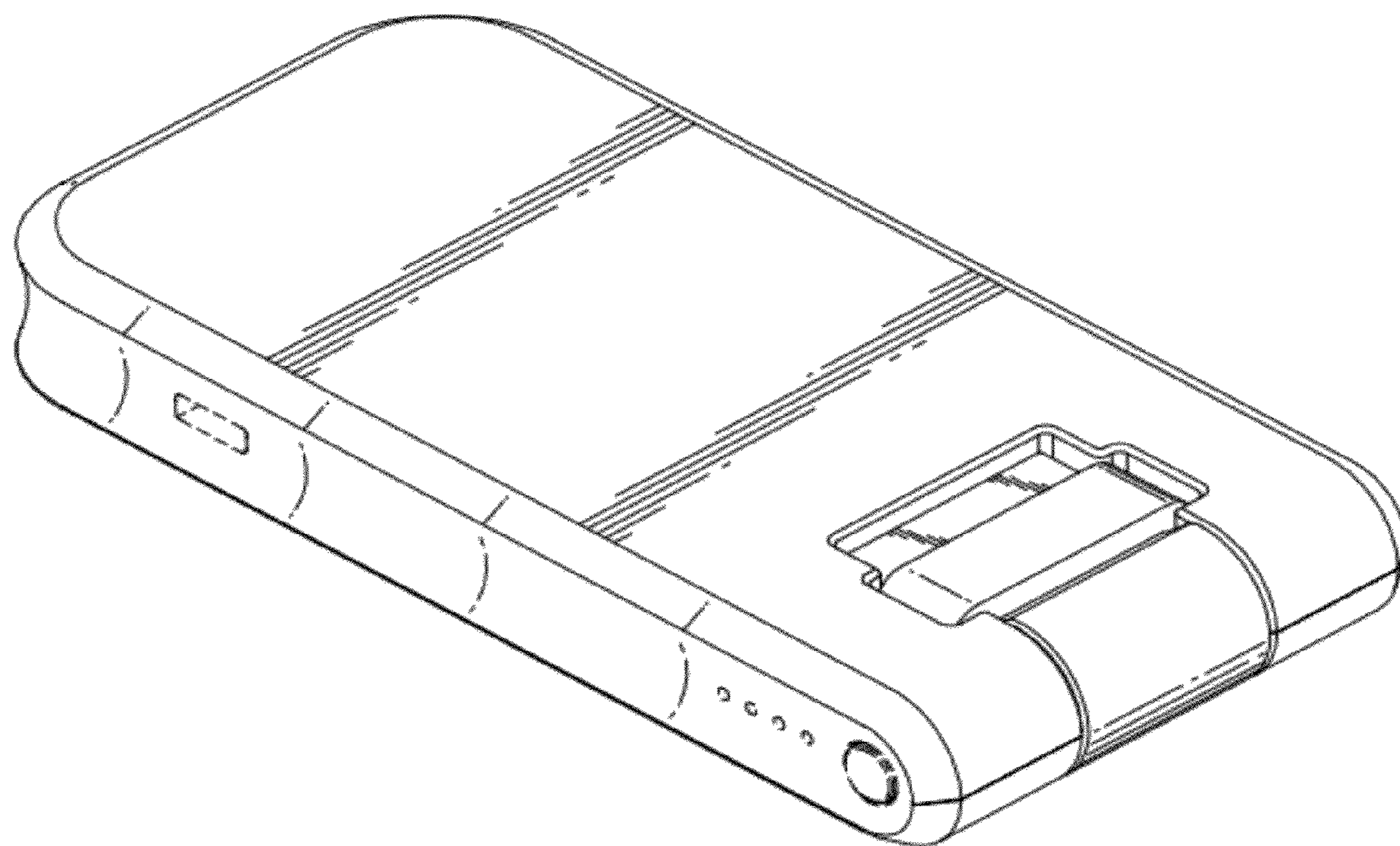


FIG. 1

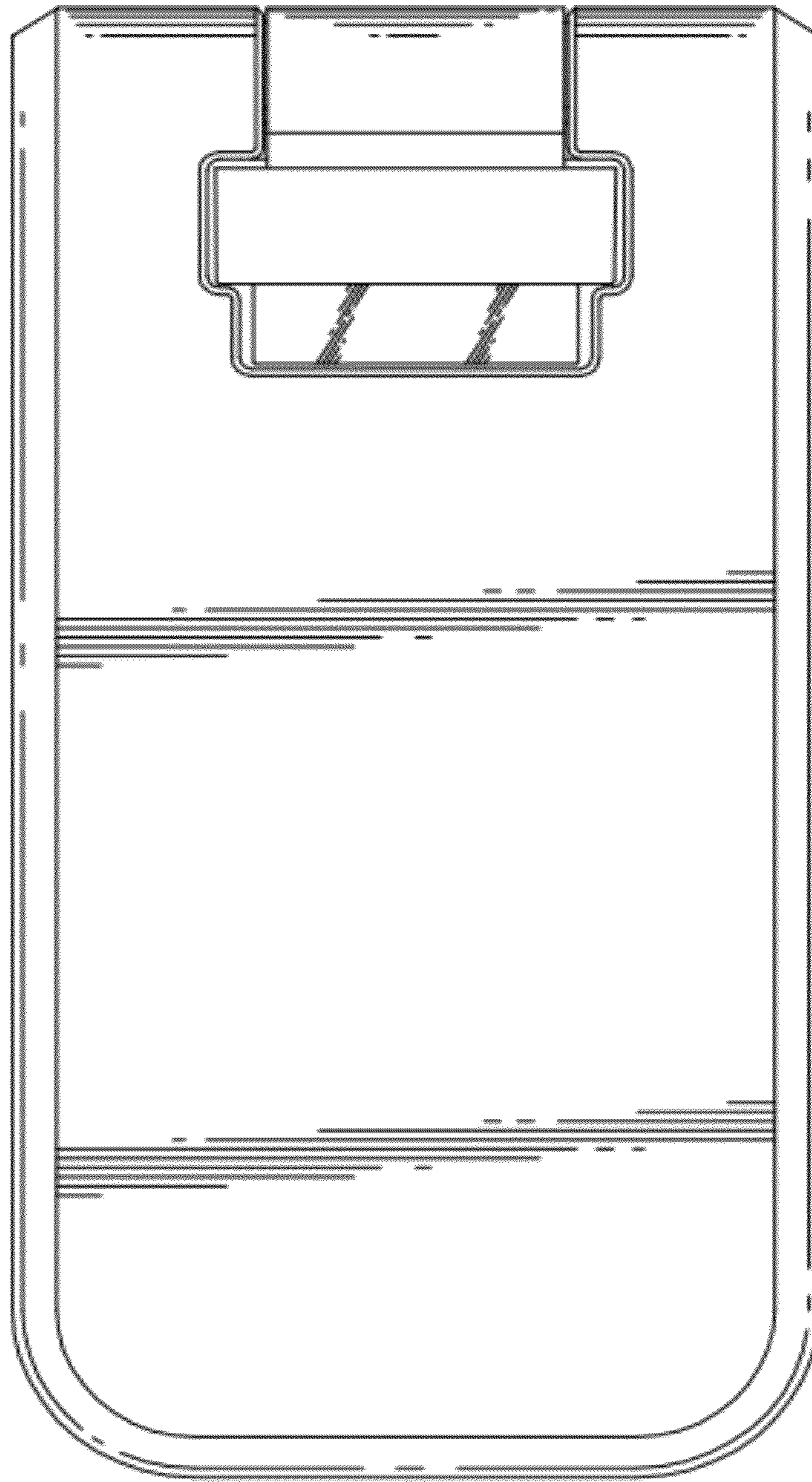


FIG. 2



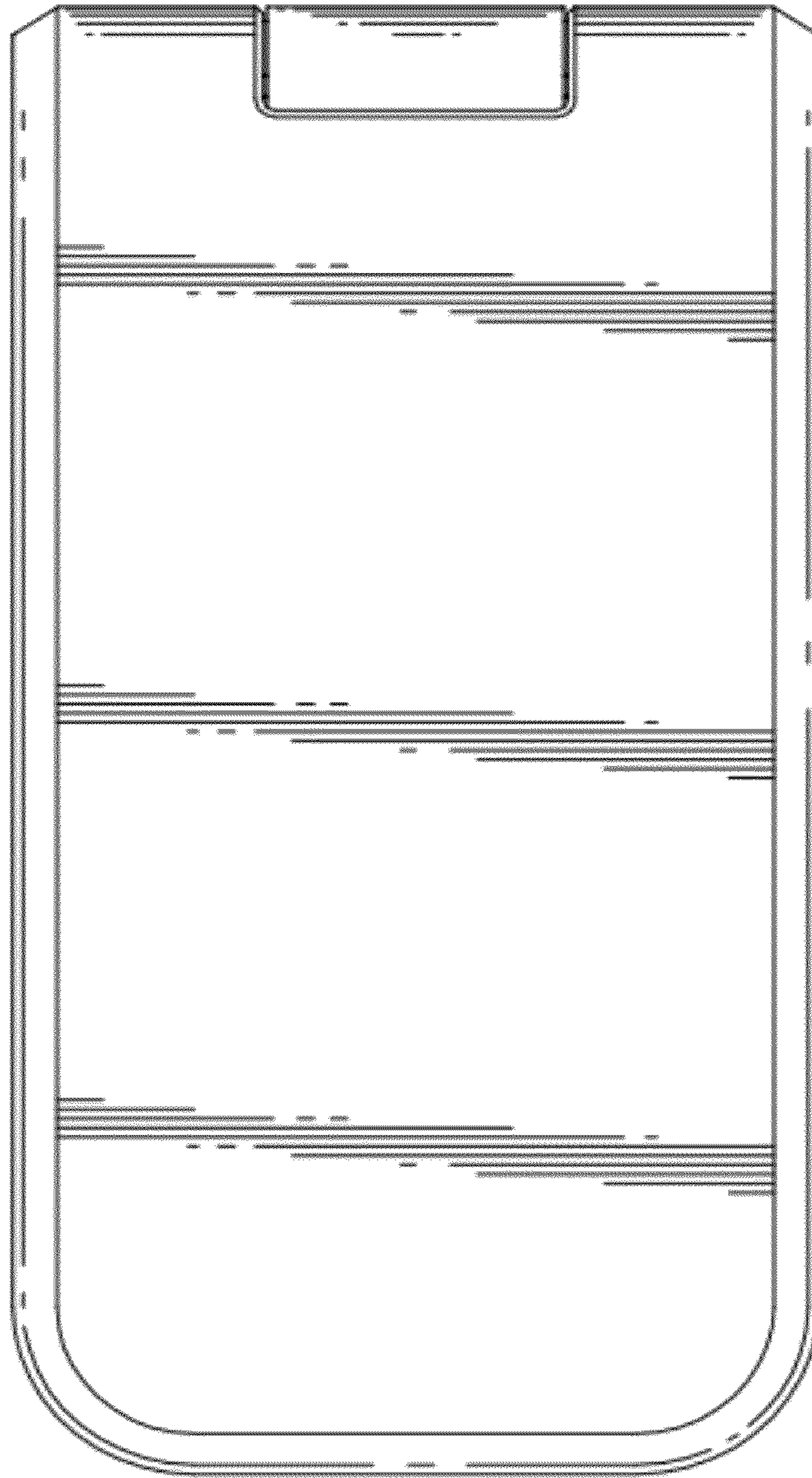


FIG. 3

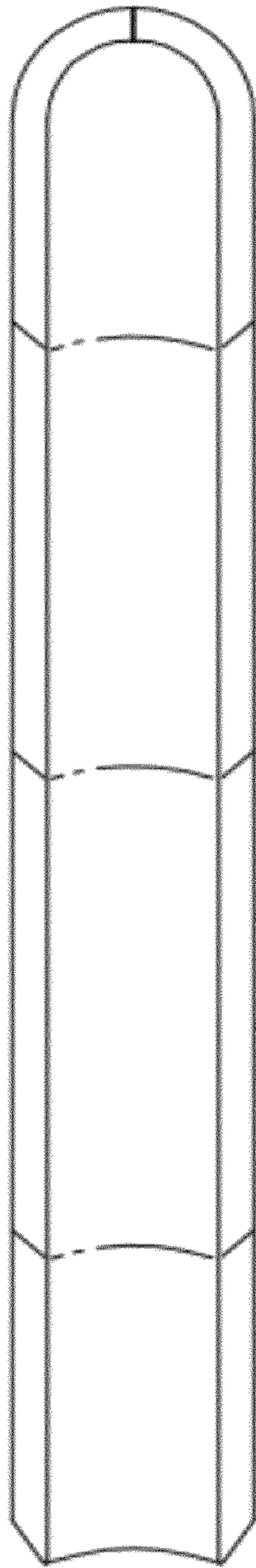


FIG. 4

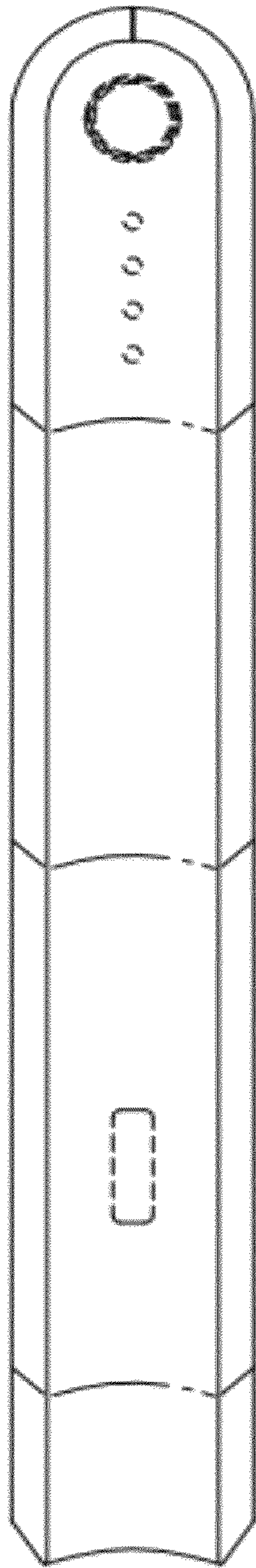


FIG. 5

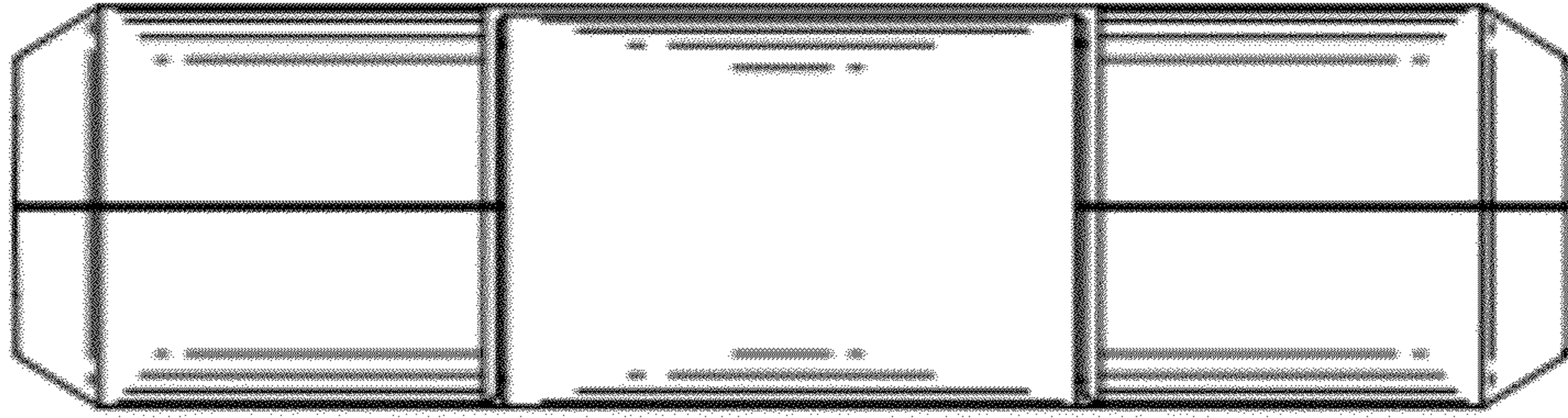


FIG. 6



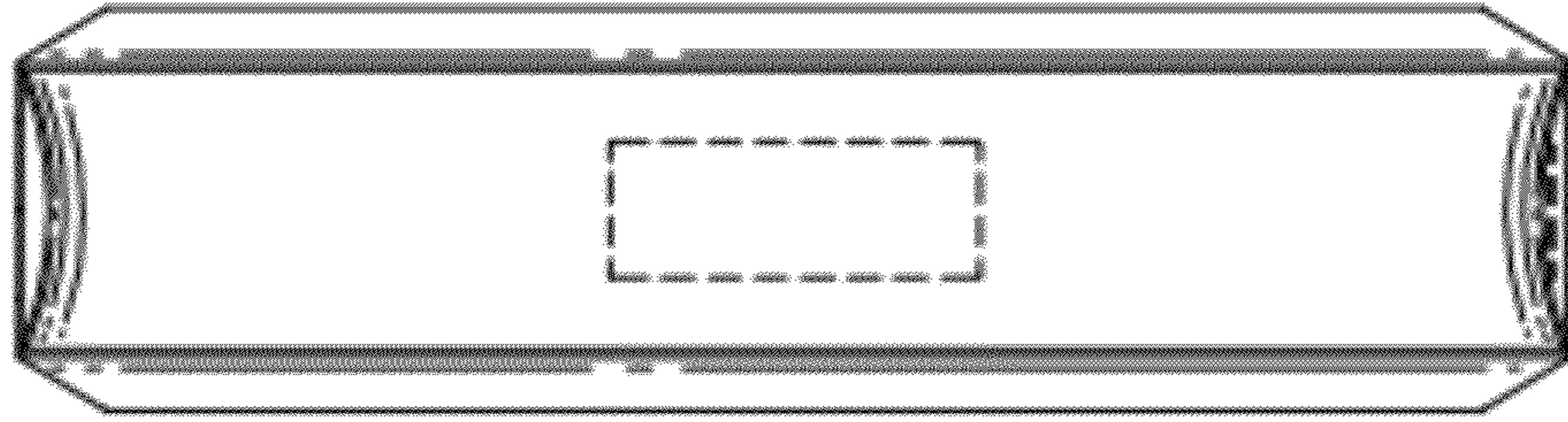


FIG. 7



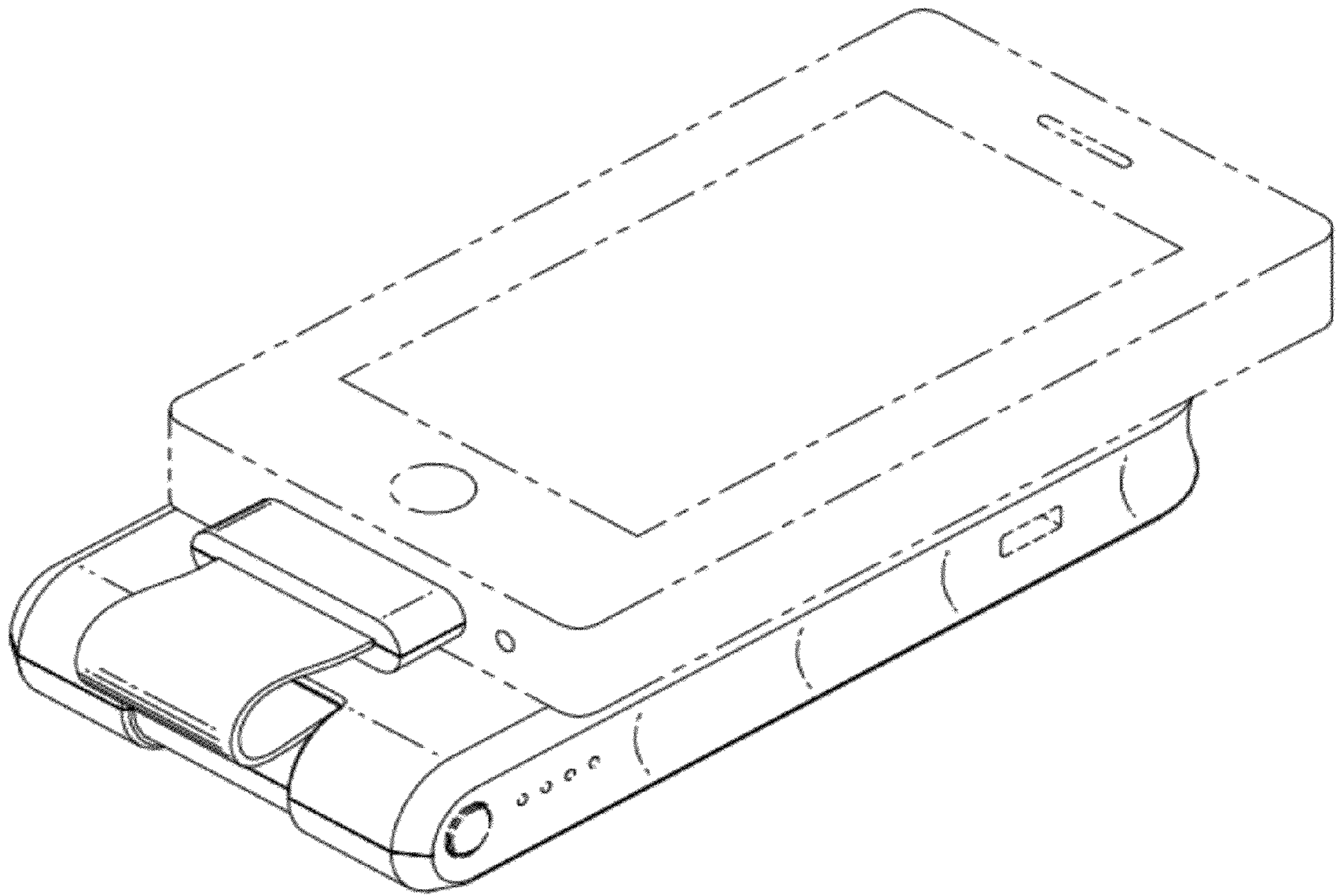


FIG. 8