

US00D662047S

(12) **United States Design Patent**  
**Brockman et al.**

(10) **Patent No.:** **US D662,047 S**  
(45) **Date of Patent:** **\*\* Jun. 19, 2012**

(54) **BATTERY CHARGER HOUSING**

(75) Inventors: **Daryl Charles Brockman**, Shorewood, WI (US); **James Cameron Douglass**, Shorewood, WI (US); **Robert Fred Unger**, Rye, NH (US); **Timothy Corcoran Repp**, Pleasant Valley, CT (US)

(73) Assignee: **Johnson Controls Technology Company**, Holland, MI (US)

(\*\*) Term: **14 Years**

(21) Appl. No.: **29/404,492**

(22) Filed: **Oct. 21, 2011**

(51) **LOC (9) Cl.** ..... **13-02**

(52) **U.S. Cl.** ..... **D13/107**

(58) **Field of Classification Search** ..... D13/107-110,  
D13/118-119, 184; D15/9; 320/103-105,  
320/107-115

See application file for complete search history.

(56) **References Cited**

U.S. PATENT DOCUMENTS

D450,035 S \* 11/2001 Ahlgren ..... D13/119  
D549,170 S \* 8/2007 Yen ..... D13/107  
D585,822 S \* 2/2009 Hsu ..... D13/107

D601,496 S \* 10/2009 Shum et al. .... D13/107  
D606,940 S \* 12/2009 Mack ..... D13/119  
D610,089 S \* 2/2010 Mack ..... D13/119  
D621,353 S \* 8/2010 Mack ..... D13/119  
D649,931 S \* 12/2011 James ..... D13/107

\* cited by examiner

*Primary Examiner* — Rosemary K Tarcza

(74) *Attorney, Agent, or Firm* — Fletcher Yoder, P.C.

(57) **CLAIM**

The ornamental design for a battery charger housing, as shown and described.

**DESCRIPTION**

FIG. 1 is a perspective view of the ornamental design for the battery charger housing;

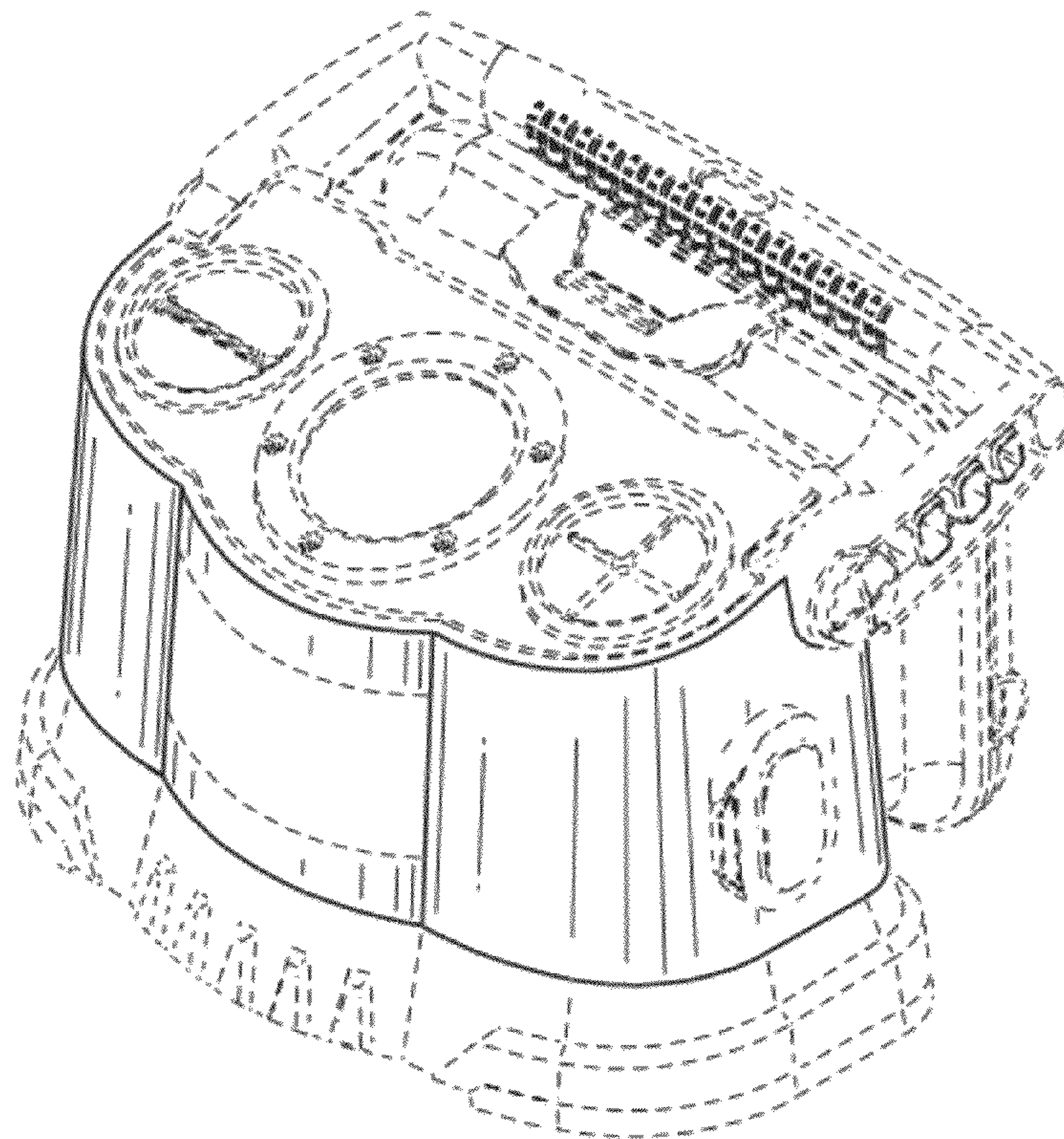
FIG. 2 is a front view of the battery charger housing of FIG. 1;

FIG. 3 is a right side view of the battery charger housing of FIG. 1, the left side view being a mirror image of the right side view shown; and,

FIG. 4 is a top view of the battery charger housing of FIG. 1.

In these drawings, the solid lines illustrate the claimed ornamental design, whereas the broken lines illustrate environmental features that form no part of the claimed ornamental design.

**1 Claim, 2 Drawing Sheets**





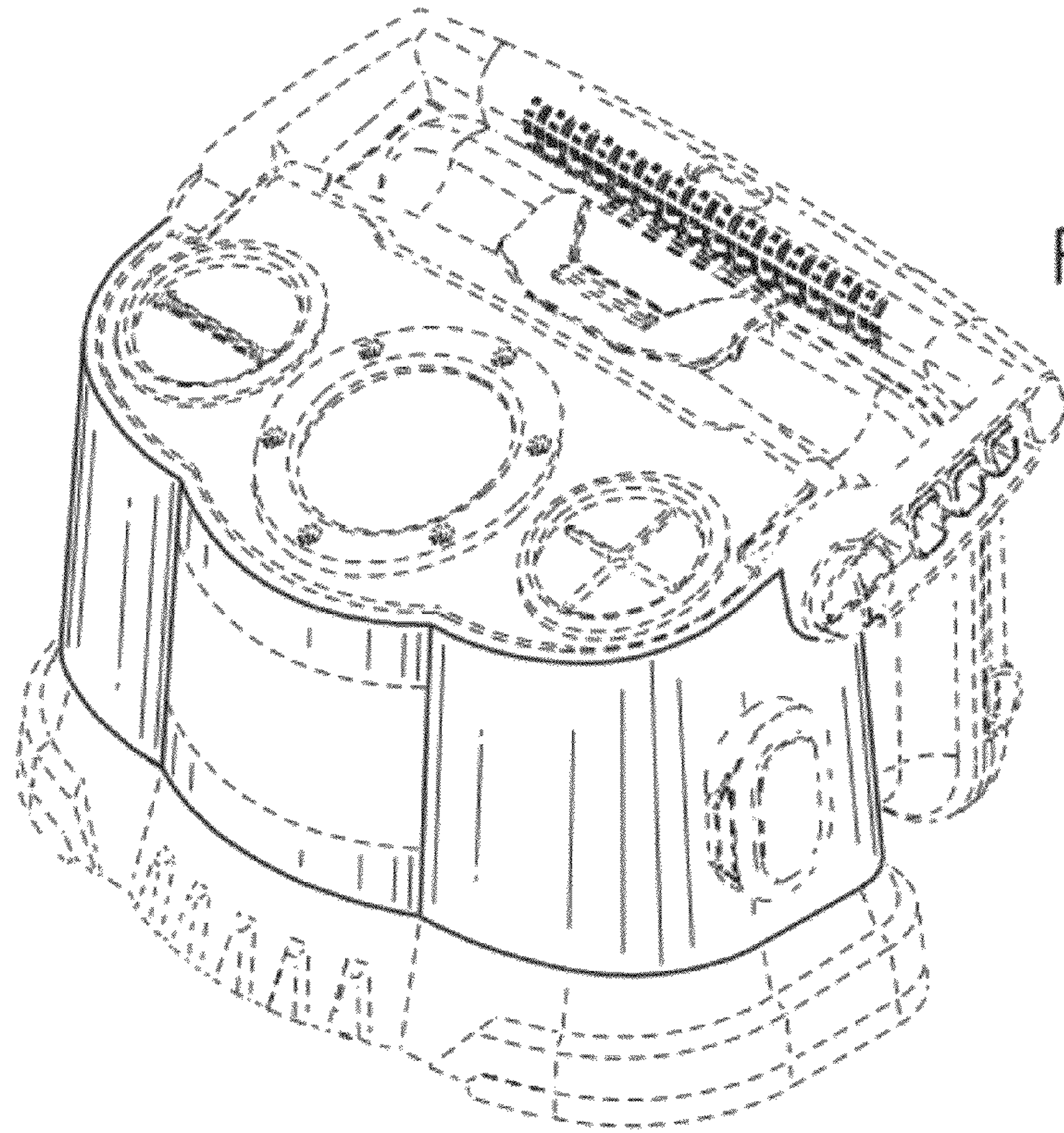


FIG. 1

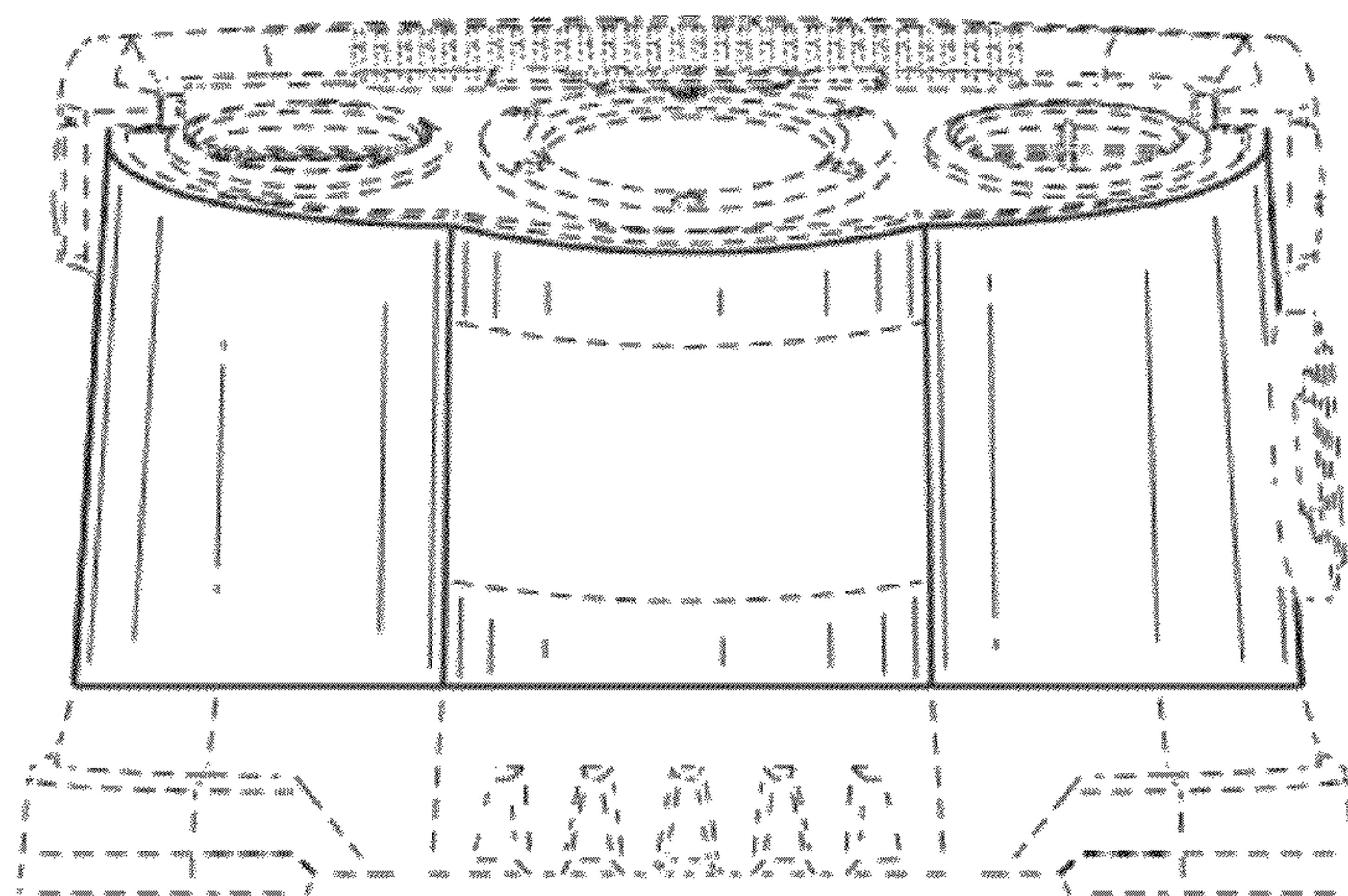


FIG. 2



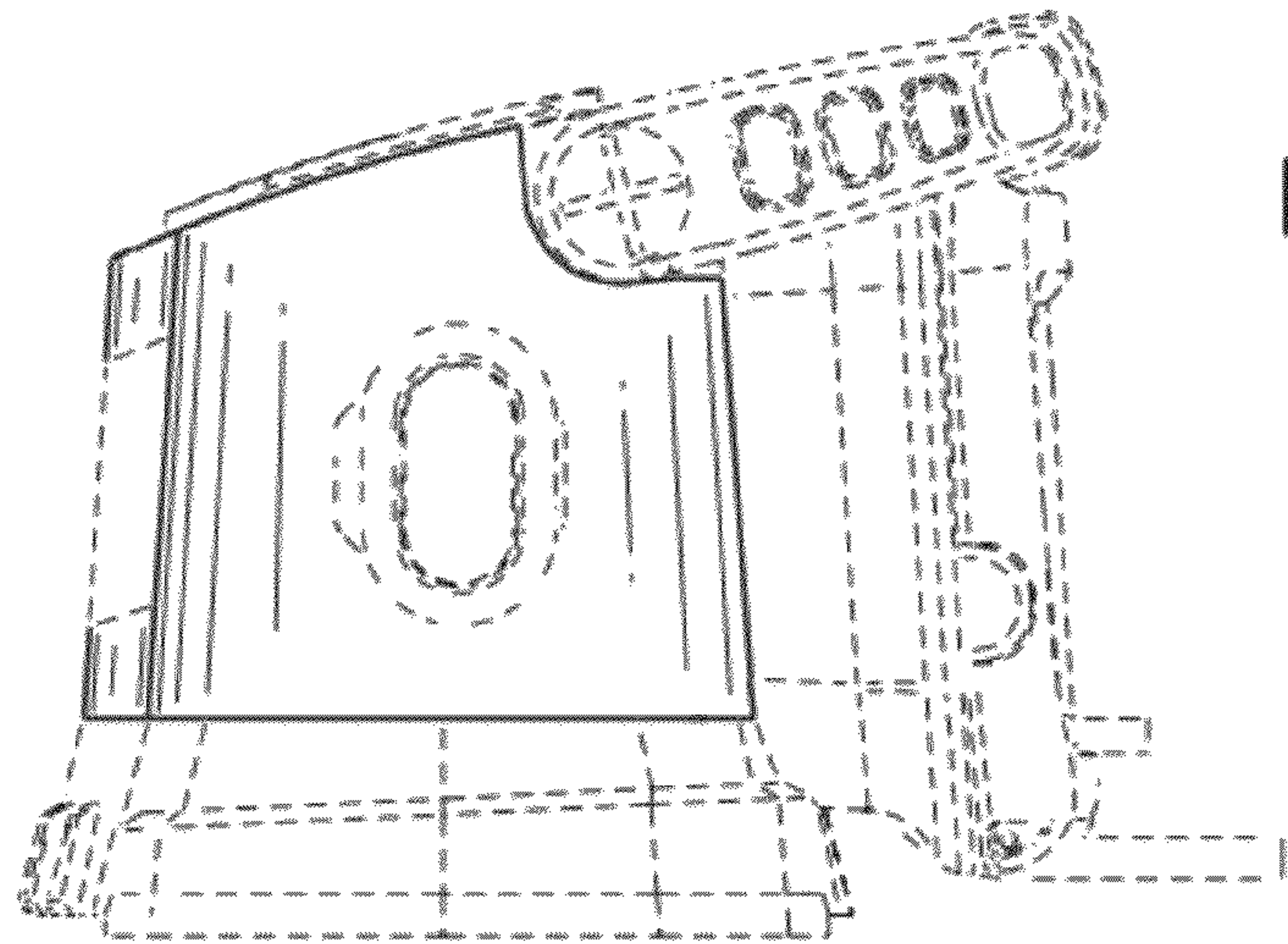


FIG. 3

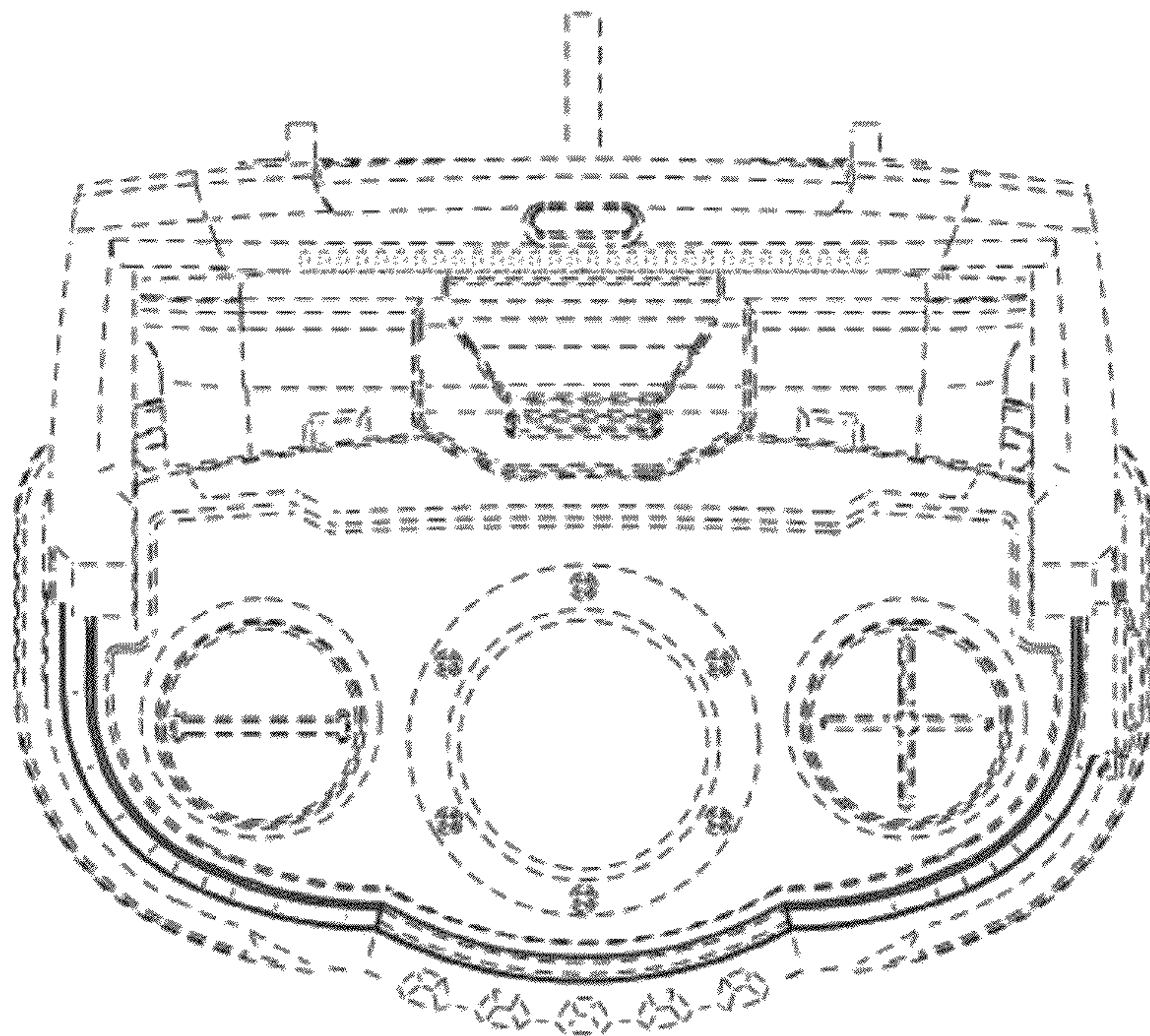


FIG. 4