



US00D662046S

(12) **United States Design Patent**  
**Unger et al.**

(10) **Patent No.:** **US D662,046 S**  
(45) **Date of Patent:** **\*\* Jun. 19, 2012**

(54) **BATTERY CHARGER DASHBOARD**

(75) Inventors: **Robert Fred Unger**, Rye, NH (US);  
**Timothy Corcoran Repp**, Pleasant  
Valley, CT (US)

(73) Assignee: **Johnson Controls Technology  
Company**, Holland, MI (US)

(\*\*) Term: **14 Years**

(21) Appl. No.: **29/404,488**

(22) Filed: **Oct. 21, 2011**

(51) **LOC (9) Cl.** ..... **13-02**

(52) **U.S. Cl.** ..... **D13/107**

(58) **Field of Classification Search** ..... D13/107-110,  
D13/118-119, 184; D15/9; 320/103-105,  
320/107-115

See application file for complete search history.

(56) **References Cited**

**U.S. PATENT DOCUMENTS**

D299,639 S *	1/1989	Anderson et al. ....	D13/119
D428,852 S *	8/2000	Klutt .....	D13/119
D450,035 S *	11/2001	Ahlgren .....	D13/119
D464,935 S *	10/2002	Krieger et al. ....	D13/110
D503,378 S *	3/2005	Hussaini et al. ....	D13/107
D504,396 S *	4/2005	Hussaini et al. ....	D13/107
D530,271 S *	10/2006	Hriscu et al. ....	D13/107

D549,170 S *	8/2007	Yen .....	D13/107
D594,405 S *	6/2009	Murray et al. ....	D13/107
D606,938 S *	12/2009	Mack .....	D13/119
D621,353 S *	8/2010	Mack .....	D13/119
D636,332 S *	4/2011	Hsu .....	D13/109
D649,931 S *	12/2011	James .....	D13/107

\* cited by examiner

*Primary Examiner* — Rosemary K Tarcza

(74) *Attorney, Agent, or Firm* — Fletcher Yoder, P.C.

(57) **CLAIM**

The ornamental design for a battery charger dashboard, as shown and described.

**DESCRIPTION**

FIG. 1 is a perspective view of the ornamental design for the battery charger dashboard;

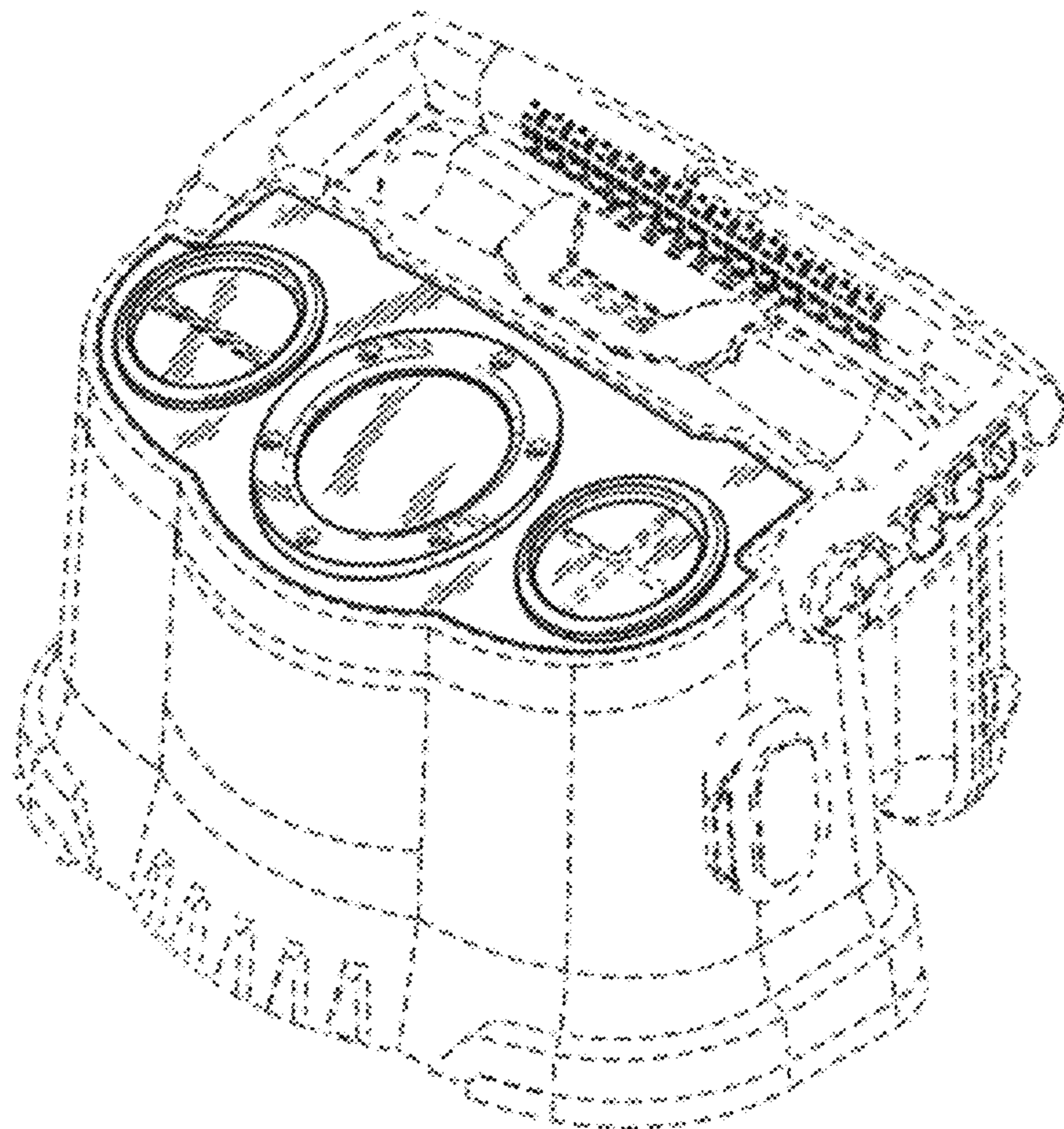
FIG. 2 is a front view of the battery charger dashboard of FIG. 1;

FIG. 3 is a right side view of the battery charger dashboard of FIG. 1, the left side view being a mirror image of the right side view shown; and,

FIG. 4 is a top view of the battery charger dashboard of FIG. 1.

In these drawings, the solid lines illustrate the claimed ornamental design, whereas the broken lines illustrate environmental features that form no part of the claimed ornamental design.

**1 Claim, 2 Drawing Sheets**





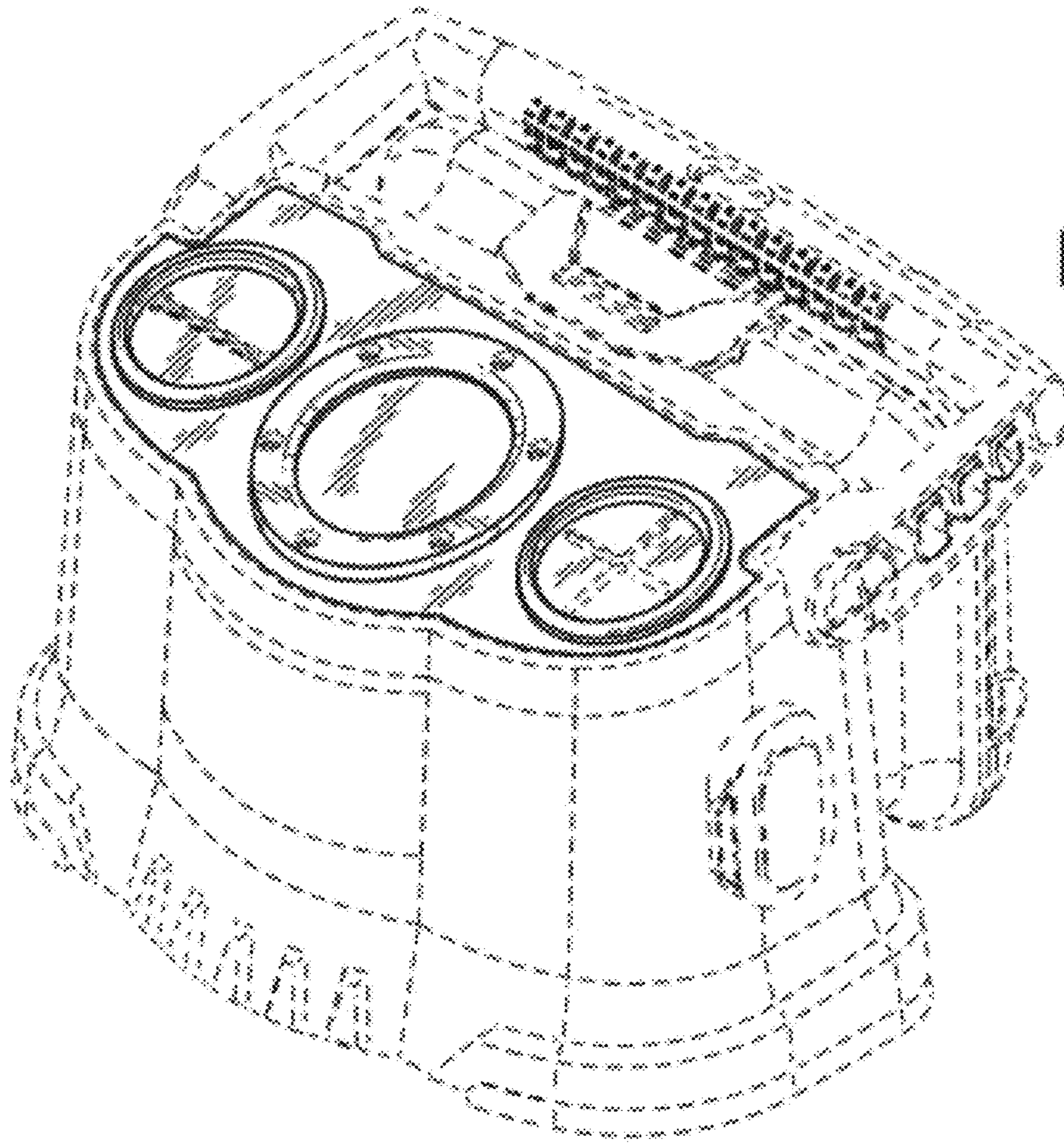


FIG. 1

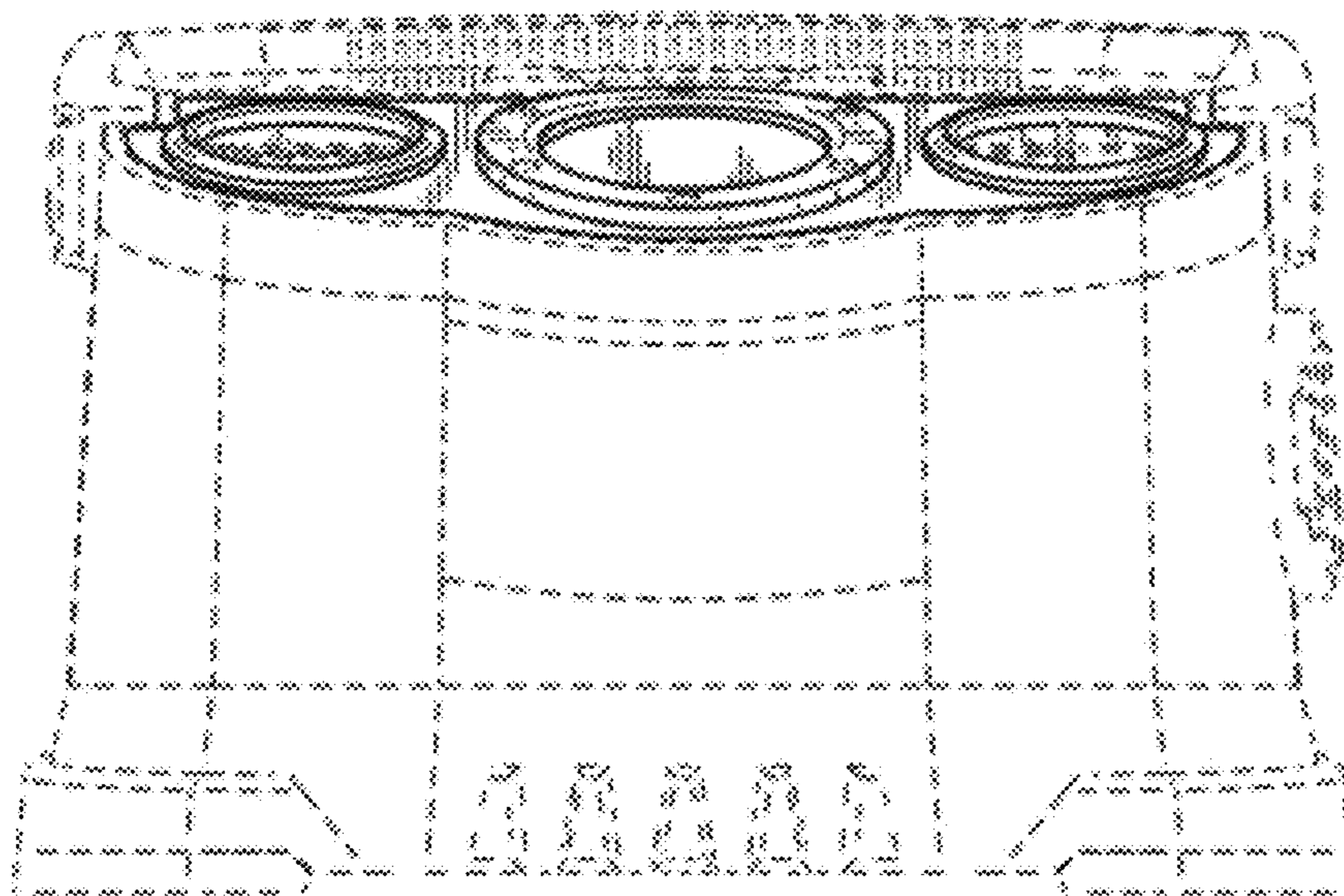


FIG. 2



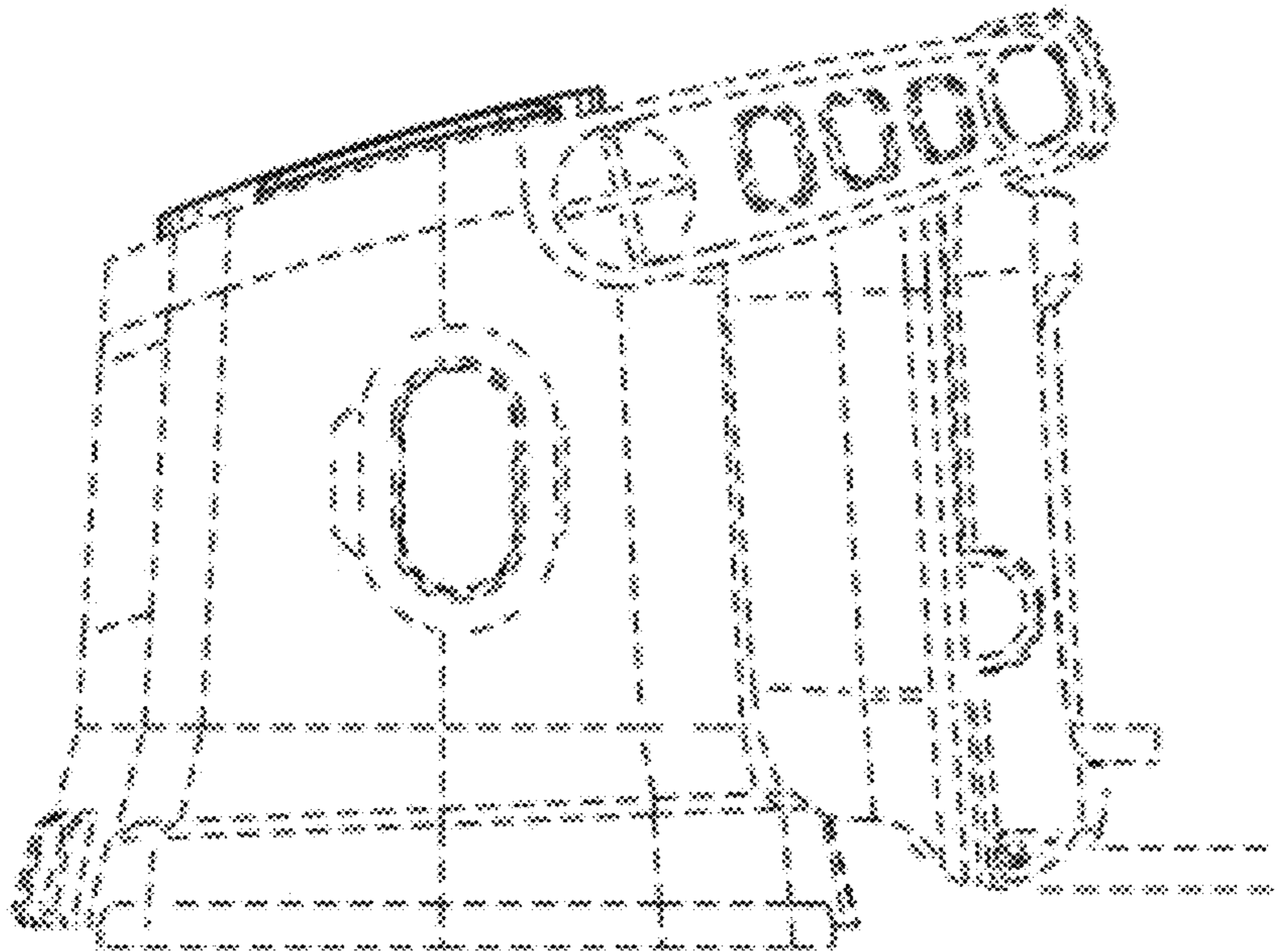


FIG. 3

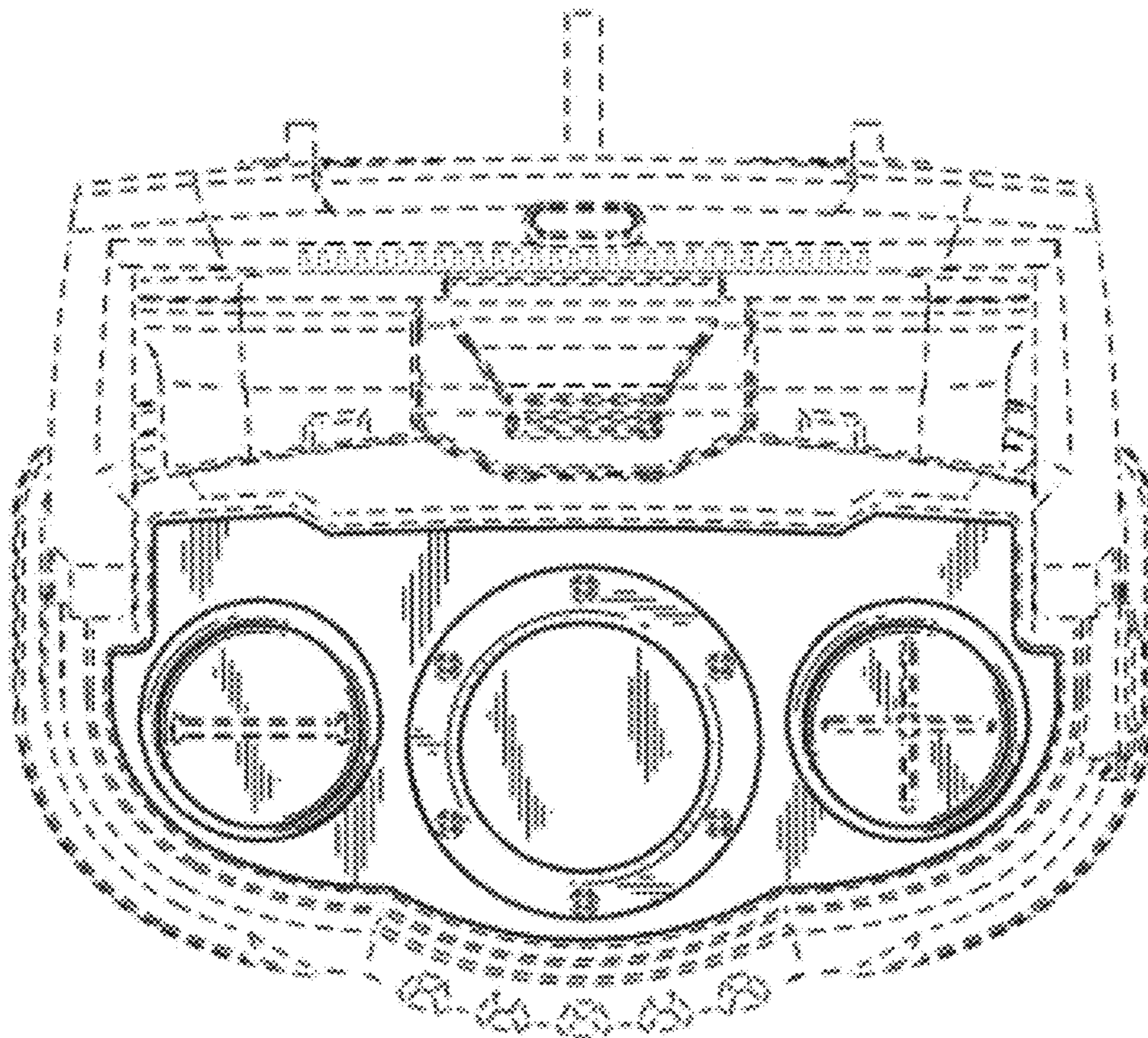


FIG. 4