



US00D662045S

(12) **United States Design Patent**
Gotou et al.

(10) **Patent No.:** **US D662,045 S**
(45) **Date of Patent:** **** Jun. 19, 2012**

(54) **CONNECTOR CABLE HOLDER FOR
AUTOMOBILE BATTERY CHARGER**

(75) Inventors: **Kanna Gotou**, Wako (JP); **Kiyoshi
Yajima**, Wako (JP)

(73) Assignee: **Honda Motor Co., Ltd.**, Tokyo (JP)

(**) Term: **14 Years**

(21) Appl. No.: **29/387,448**

(22) Filed: **Mar. 14, 2011**

(30) **Foreign Application Priority Data**

Oct. 21, 2010 (JP) 2010-025172

(51) **LOC (9) Cl.** **13-02**

(52) **U.S. Cl.** **D13/107**

(58) **Field of Classification Search** D13/107-110,
D13/118-119, 184; 320/103-105, 107-115
See application file for complete search history.

(56) **References Cited**

U.S. PATENT DOCUMENTS

- D358,951 S * 6/1995 Raynor D6/421
- D608,731 S * 1/2010 Amit D13/107
- D608,733 S * 1/2010 Smith D13/107
- D613,683 S * 4/2010 Baxter et al. D13/107
- D626,065 S * 10/2010 Cutter et al. D13/107

- D628,960 S * 12/2010 Shimizu et al. D13/107
- D629,747 S * 12/2010 Rajakaruna D13/107
- D634,267 S * 3/2011 Blain D13/107
- D641,316 S * 7/2011 Schneiderat D13/107
- D641,317 S * 7/2011 Schneiderat D13/107
- D641,694 S * 7/2011 Akahori et al. D13/107
- D646,631 S * 10/2011 Gotou et al. D13/107
- D647,053 S * 10/2011 Gotou et al. D13/107

* cited by examiner

Primary Examiner — Rosemary K Tarcza

(74) *Attorney, Agent, or Firm* — Birch, Stewart, Kolasch &
Birch, LLP

(57) **CLAIM**

The ornamental design for a connector cable holder for auto-
mobile battery charger, as shown and described.

DESCRIPTION

FIG. 1 is a perspective view from the front side of a connector
cable holder for automobile battery charger.

FIG. 2 is a front elevation view thereof.

FIG. 3 is a rear elevation view thereof.

FIG. 4 is a top plan view thereof.

FIG. 5 is a left side elevation view thereof.

FIG. 6 is a right side elevation view thereof; and,

FIG. 7 is a referential view showing use thereof.

The portion of the article shown in broken lines is for the
purpose of showing environmental structure only and forms
no part of the claimed design.

1 Claim, 7 Drawing Sheets

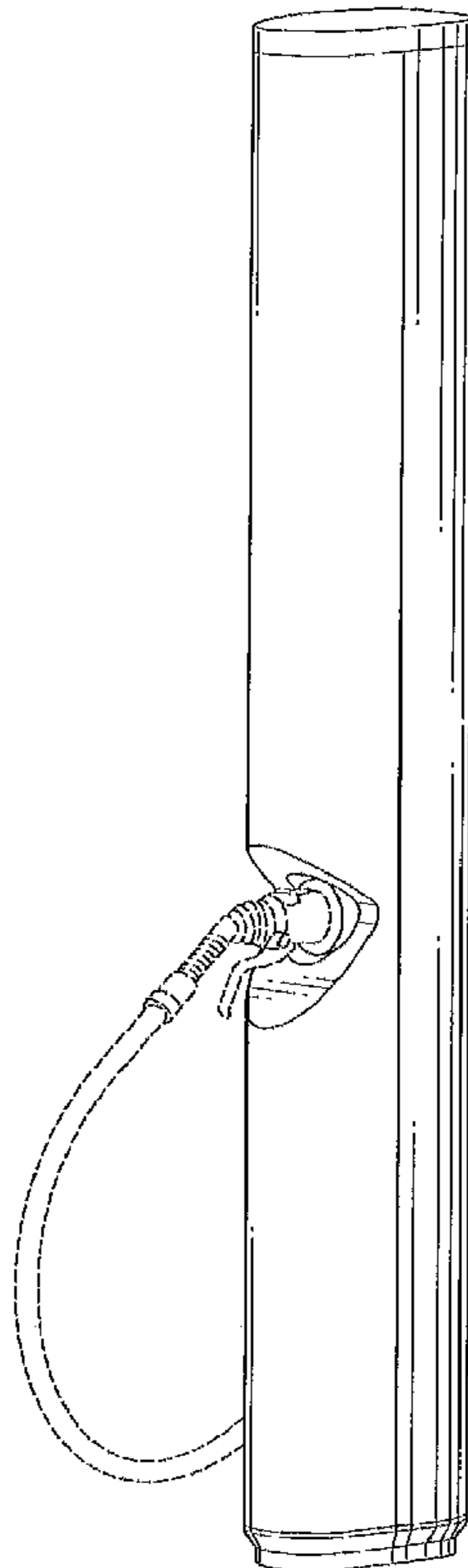


FIG. 1

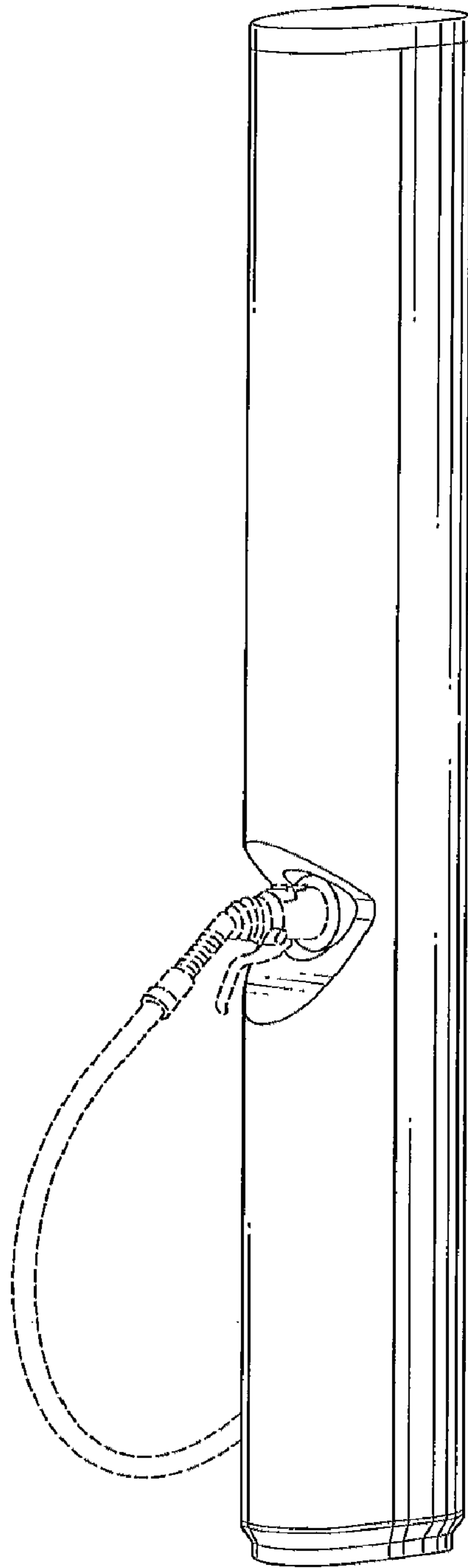


FIG. 2

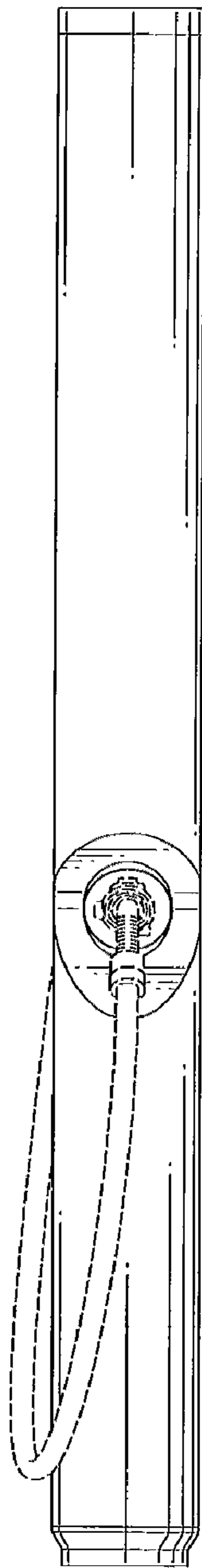


FIG. 3

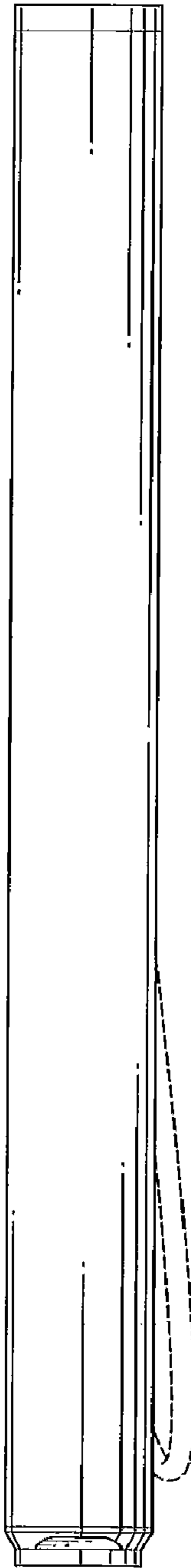


FIG. 4

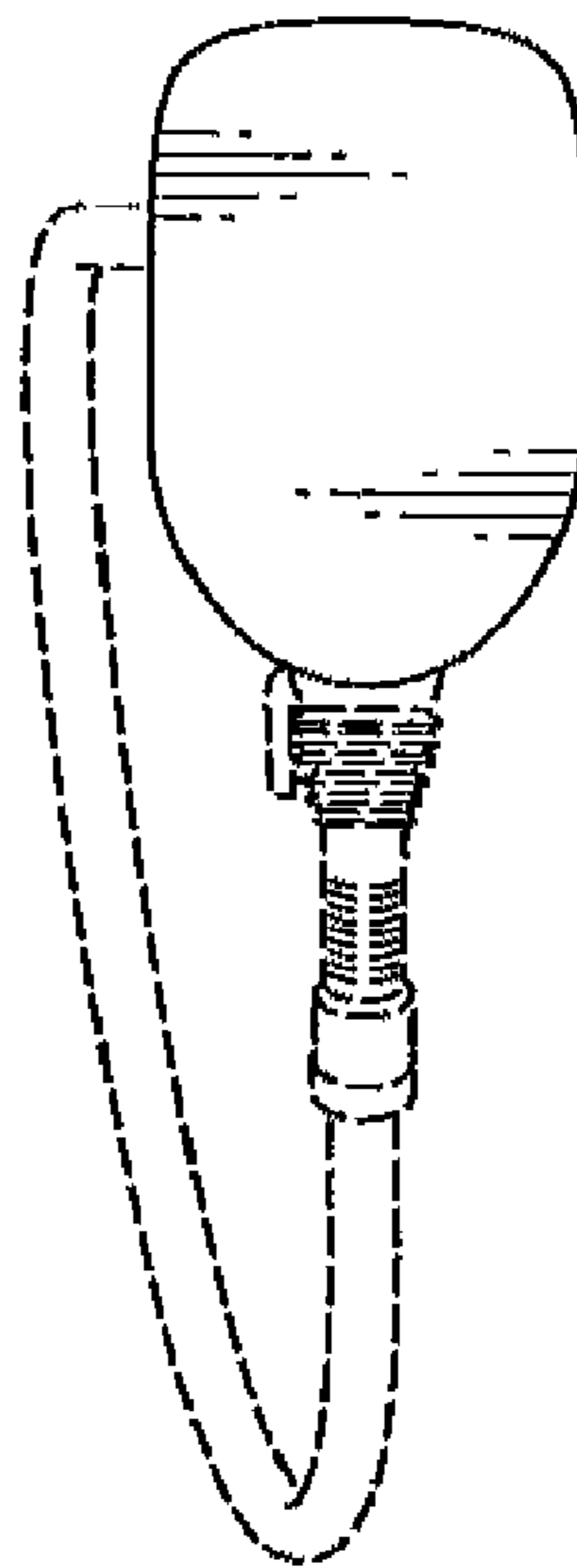


FIG. 5

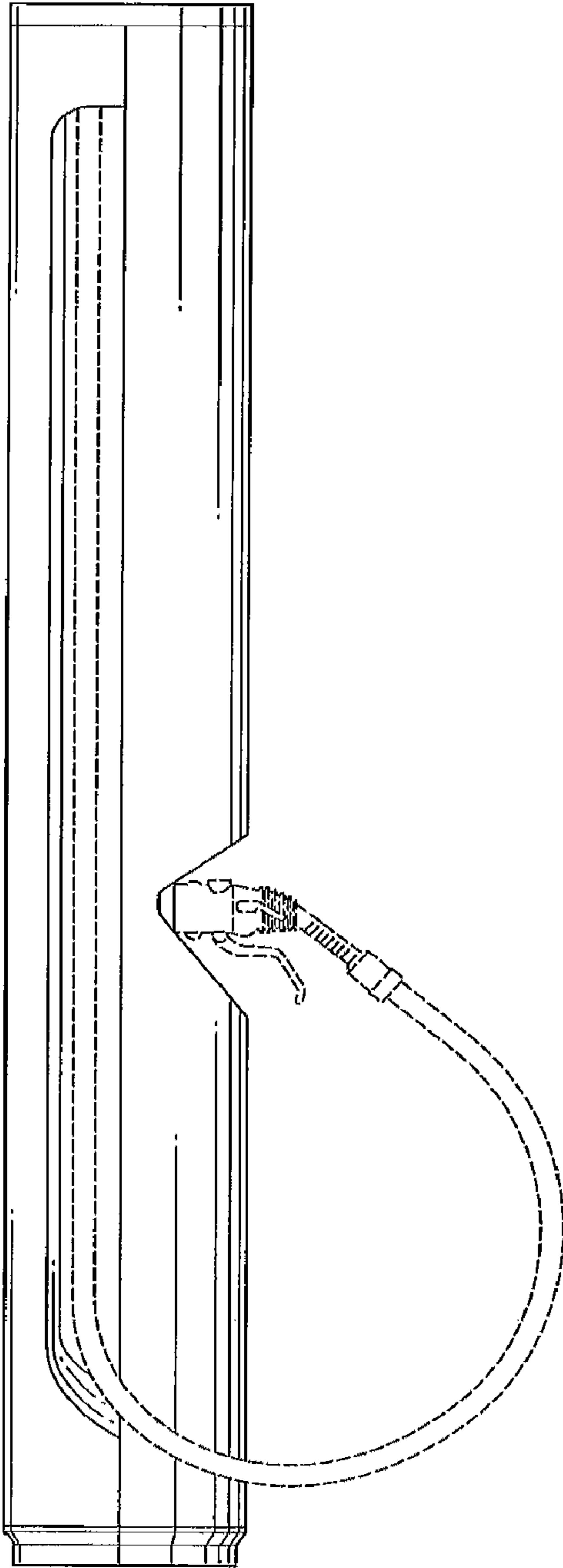


FIG. 6

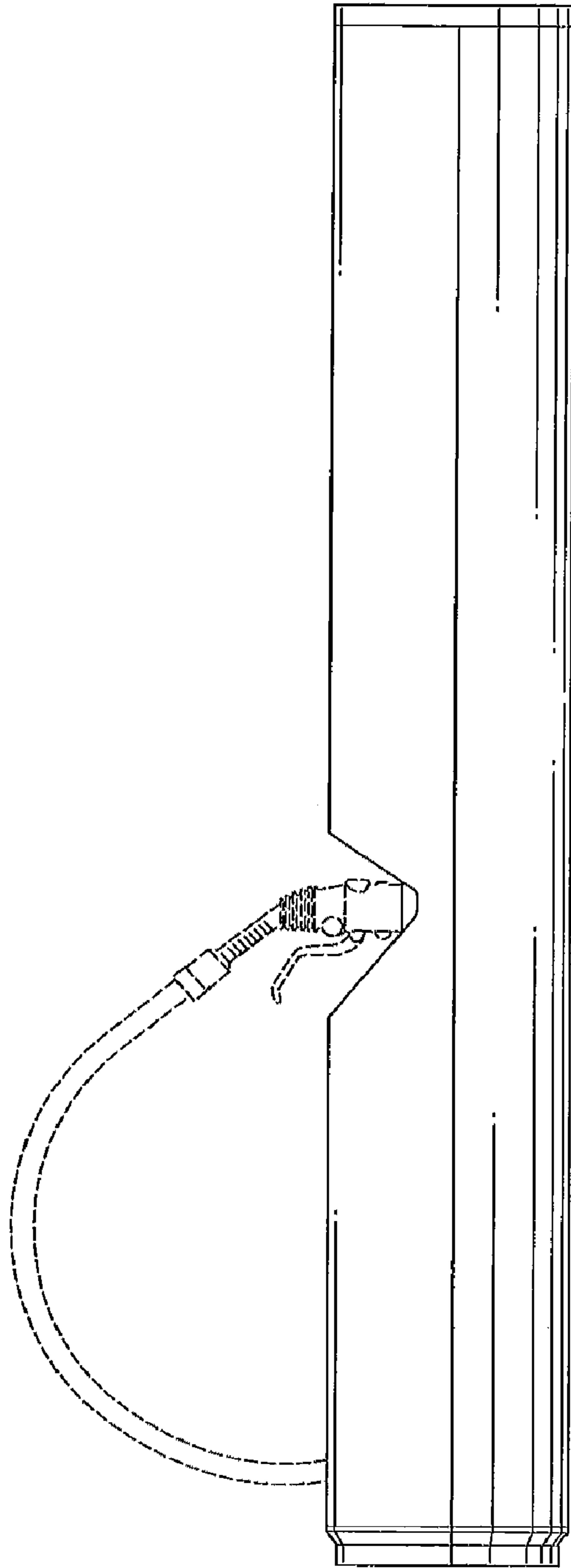


FIG. 7

