

US00D662043S

(12) **United States Design Patent**  
**Heidtmann**

(10) **Patent No.:** **US D662,043 S**  
(45) **Date of Patent:** **\*\* Jun. 19, 2012**

(54) **SOLAR COLLECTOR**

(75) Inventor: **Niels Heidtmann**, Kolding (DK)

(73) Assignee: **Nordic Energy Group APS**, Svenstrup J (DK)

(\*\*) Term: **14 Years**

(21) Appl. No.: **29/406,386**

(22) Filed: **Nov. 14, 2011**

**Related U.S. Application Data**

(62) Division of application No. 29/346,354, filed on Oct. 30, 2009.

(51) **LOC (9) Cl.** ..... **13-02**

(52) **U.S. Cl.** ..... **D13/102**

(58) **Field of Classification Search** ..... D13/102,  
D13/101, 184, 199; 4/493, 498; 126/561-568,  
126/585, 623, 624, 626, 627, 640, 658, 661,  
126/904, 908; 136/206, 244-251, 256, 291,  
136/292

See application file for complete search history.

(56) **References Cited**

**U.S. PATENT DOCUMENTS**

D258,232 S \* 2/1981 Weis ..... D13/102  
D260,282 S \* 8/1981 Fattor ..... D13/102

D280,234 S \* 8/1985 Takeuchi et al. .... D13/102  
D283,536 S \* 4/1986 Fossum ..... D13/102  
D307,260 S \* 4/1990 Happy et al. .... D13/102  
D353,129 S \* 12/1994 Ricaud et al. .... D13/102  
D362,056 S \* 9/1995 Grandinetti ..... D23/318  
D448,722 S \* 10/2001 Drummond ..... D13/102  
D474,444 S \* 5/2003 Elgner ..... D13/102

**FOREIGN PATENT DOCUMENTS**

WO WO 2010/028647 3/2010

\* cited by examiner

*Primary Examiner* — Derrick Holland

(74) *Attorney, Agent, or Firm* — Sheridan Ross, P.C.

(57) **CLAIM**

The ornamental design for solar collector, as shown and described.

**DESCRIPTION**

FIG. 1 is a perspective view of a solar collector showing my new design;

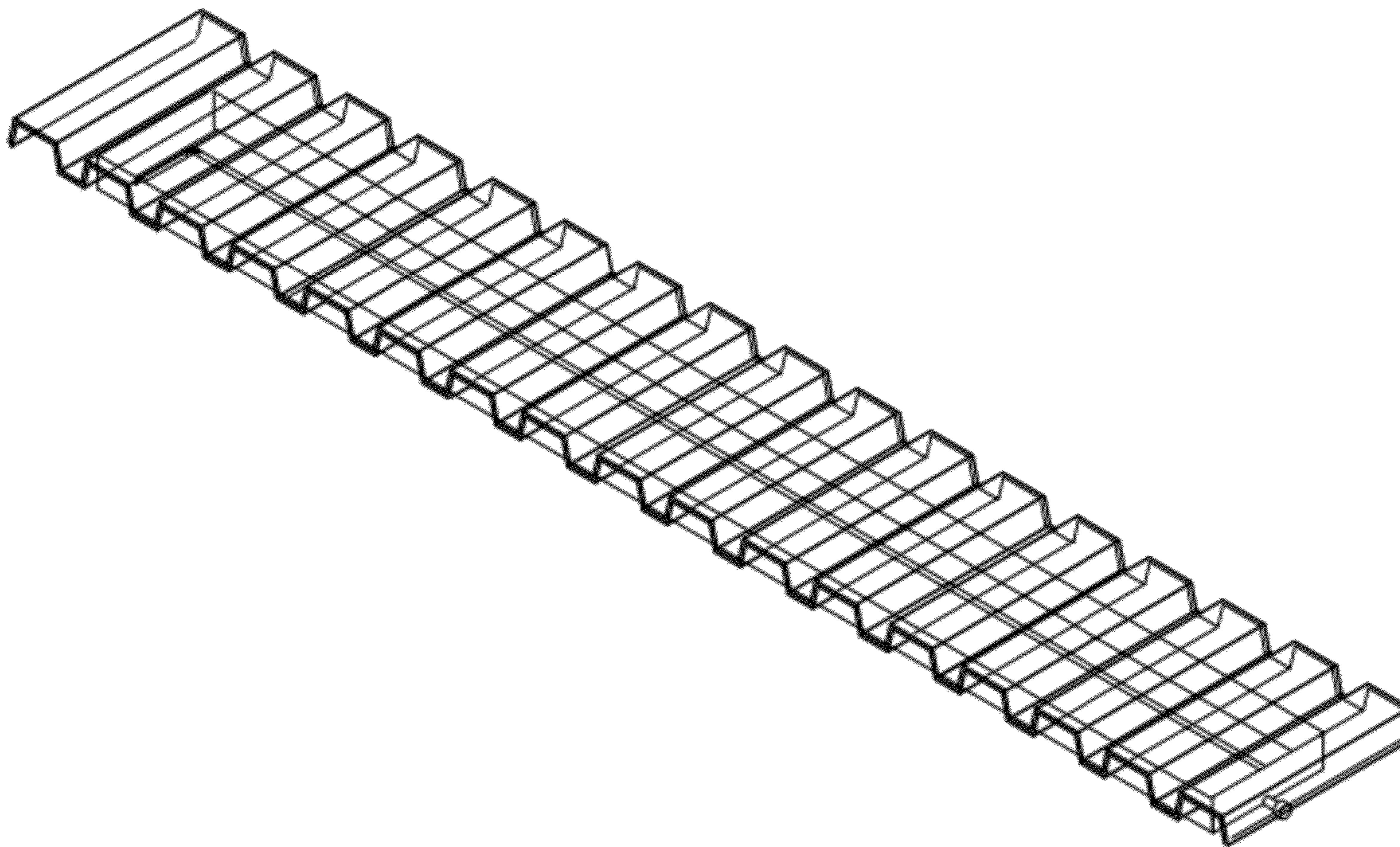
FIG. 2 is a front elevation view thereof, the rear elevation being a mirror image;

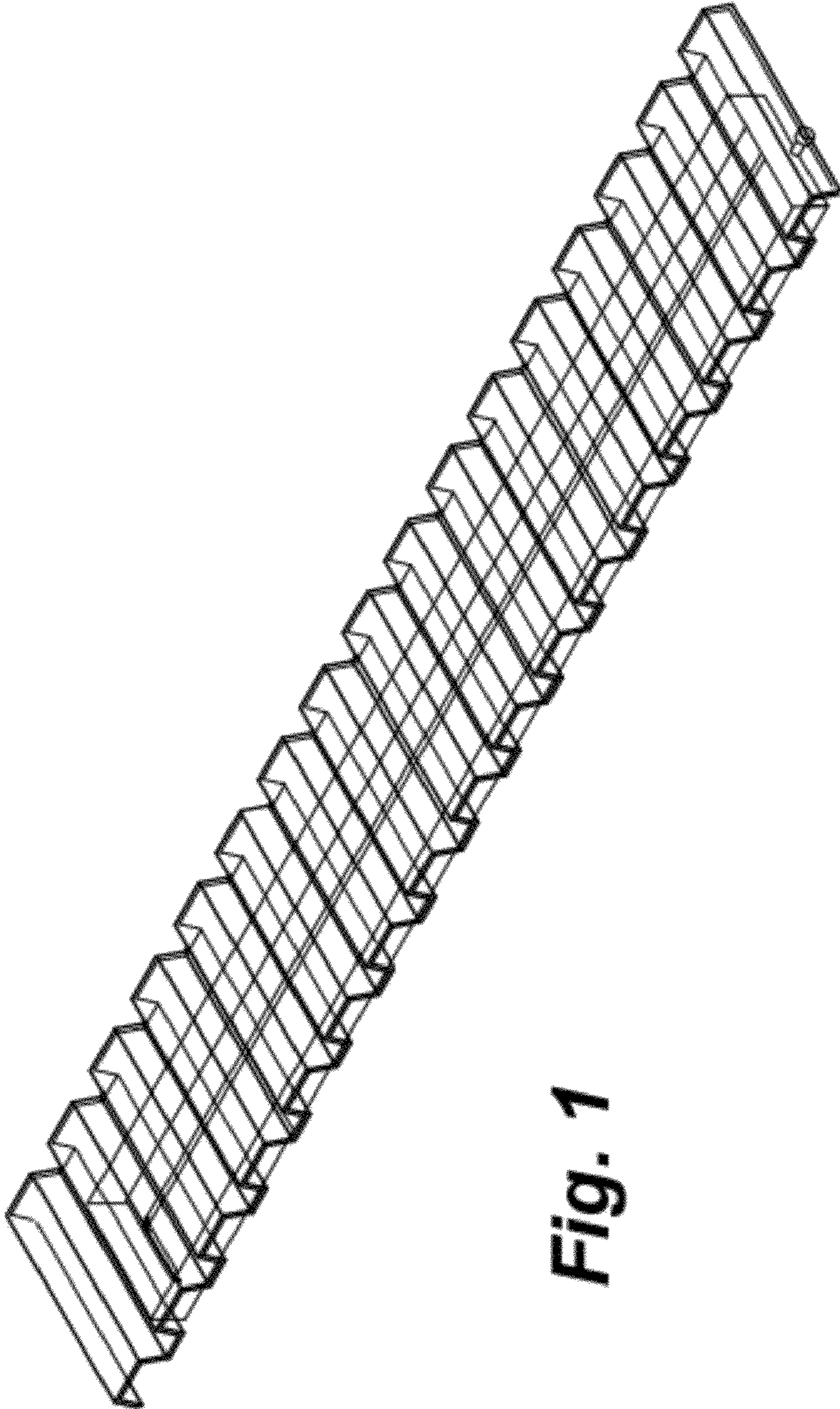
FIG. 3 is a top plan view thereof;

FIG. 4 is a bottom plan view thereof; and,

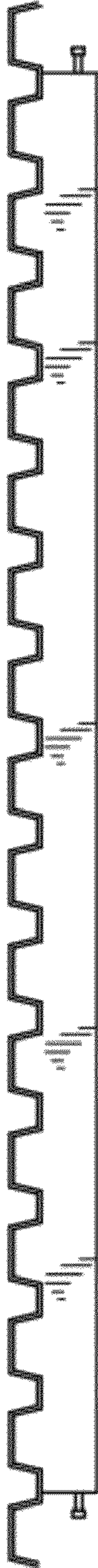
FIG. 5 is a left side view thereof, the right side view being a mirror image.

**1 Claim, 2 Drawing Sheets**

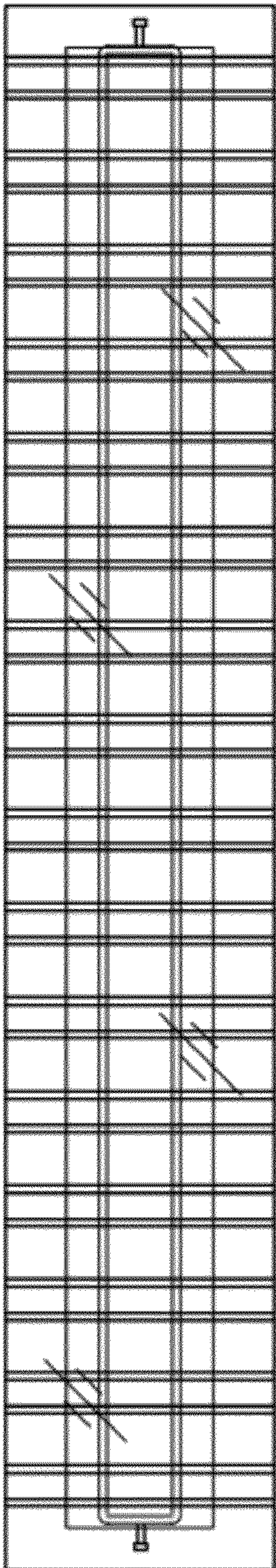




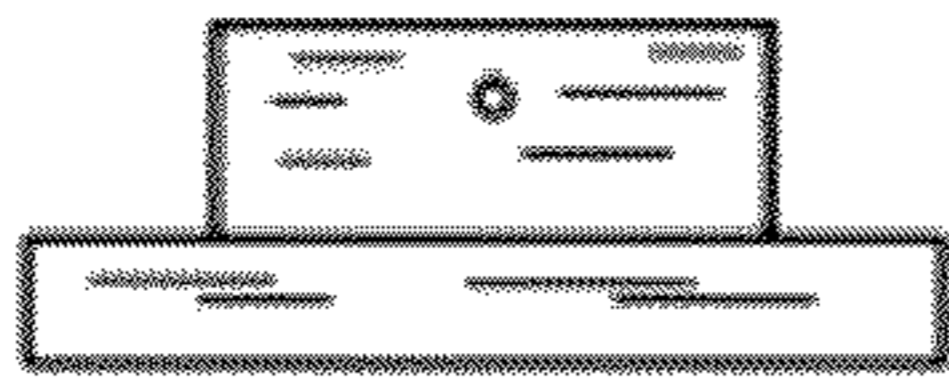
**Fig. 1**



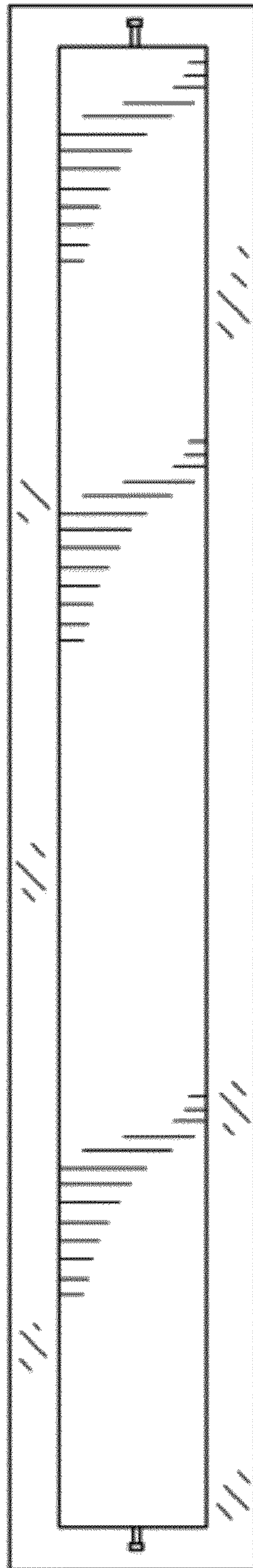
**Fig. 2**



**Fig. 3**



**Fig. 5**



**Fig. 4**