

US00D662042S

(12) **United States Design Patent**
Yeh

(10) **Patent No.:** **US D662,042 S**
(45) **Date of Patent:** **** Jun. 19, 2012**

(54) **SOLAR POWERED VENTILATION ASSEMBLY**

(76) Inventor: **Hsing-Wen Yeh**, Taichung (TW)

(**) Term: **14 Years**

(21) Appl. No.: **29/402,577**

(22) Filed: **Sep. 23, 2011**

(51) **LOC (9) Cl.** **13-02**

(52) **U.S. Cl.** **D13/102**

(58) **Field of Classification Search** D13/102,
D13/101, 107, 184, 199; D25/55, 57; 52/74,
52/77, 78, 173.3; 126/569, 571, 577, 600,
126/603, 605, 606, 608; 136/243-246, 251;
320/101

See application file for complete search history.

(56) **References Cited**

U.S. PATENT DOCUMENTS

D256,840	S	*	9/1980	Katz	D13/102
4,612,913	A	*	9/1986	Mori	126/606
6,105,316	A	*	8/2000	Bottger et al.	52/173.3
6,818,820	B2	*	11/2004	Matsushita et al.	136/251
D505,113	S	*	5/2005	Lam	D13/107

D510,315	S	*	10/2005	Shugar et al.	D13/102
D598,372	S	*	8/2009	Sasada	D13/102
D600,638	S	*	9/2009	Plaisted et al.	D13/102

* cited by examiner

Primary Examiner — Derrick Holland

(74) *Attorney, Agent, or Firm* — Muncy, Geissler, Olds & Lowe, PLLC

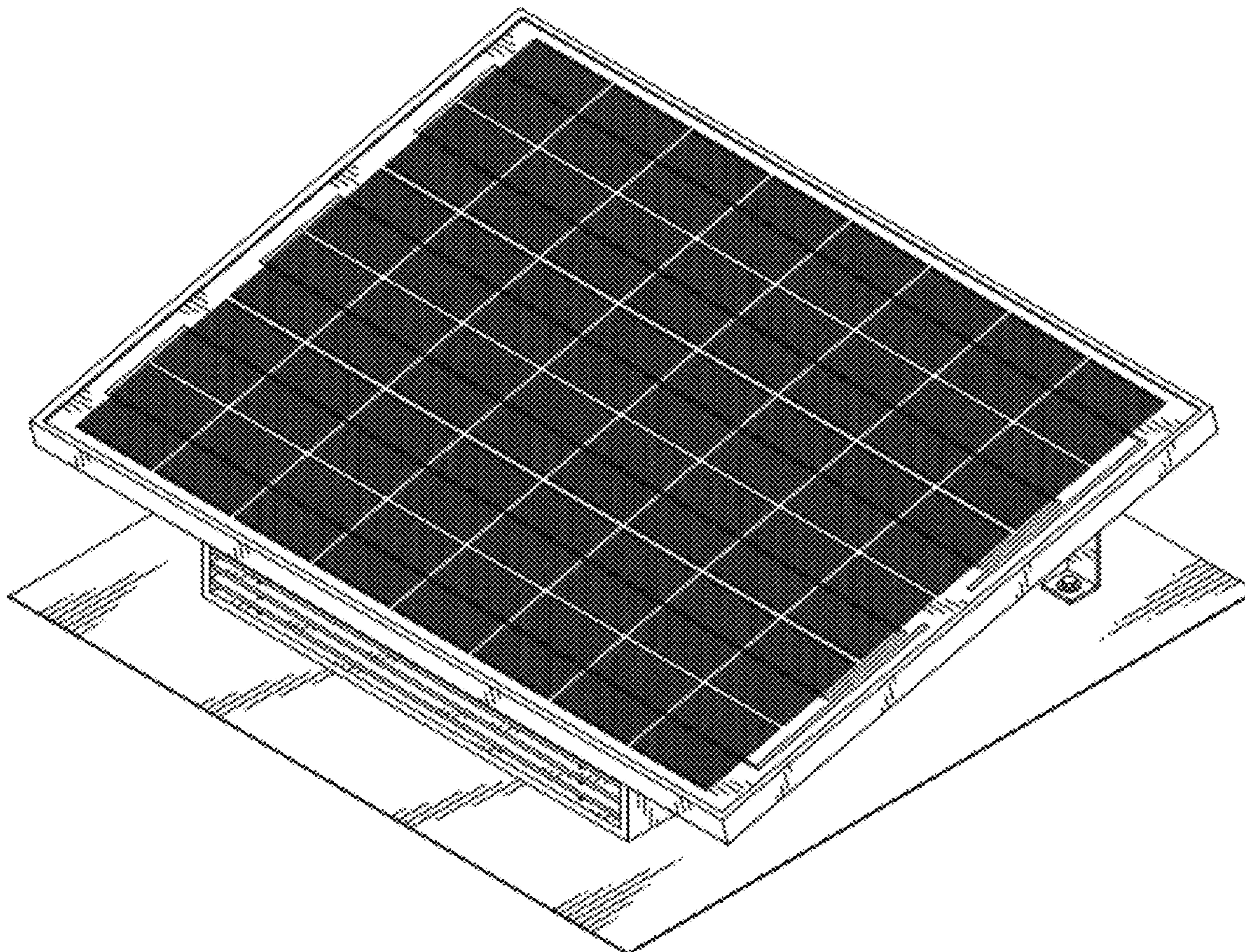
(57) **CLAIM**

I claim the ornamental design for a solar powered ventilation assembly, as shown and described.

DESCRIPTION

FIG. 1 is a right, front perspective view of the solar powered ventilation assembly showing my new design; FIG. 2 is a front view with the top open thereof; FIG. 3 is a rear view with the top open thereof; FIG. 4 is a left view thereof; FIG. 5 is a right view thereof; FIG. 6 is a top plan view thereof; FIG. 7 is a bottom plan view thereof; and, FIG. 8 is a right, rear perspective view of the solar powered ventilation assembly.

1 Claim, 8 Drawing Sheets



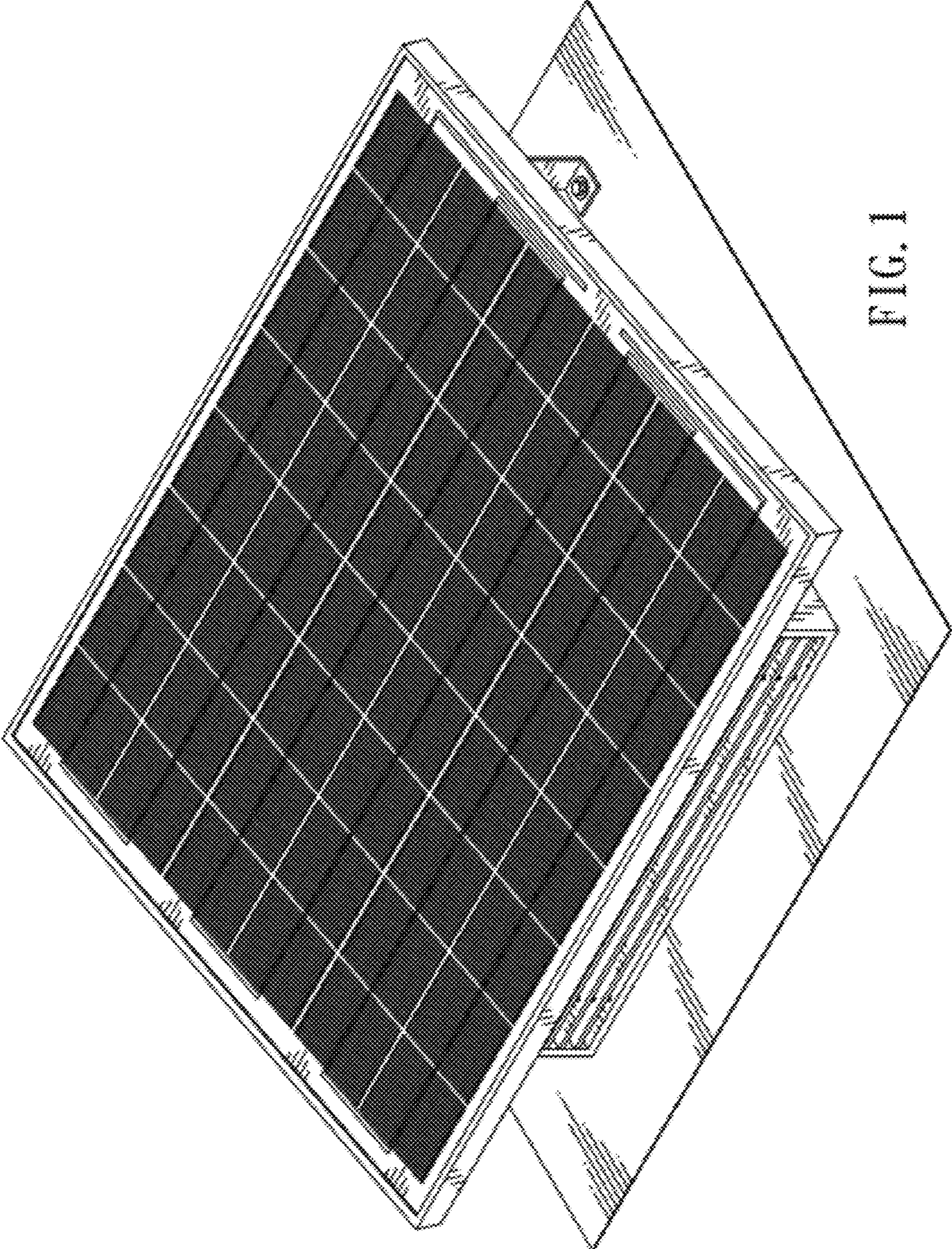


FIG. 1

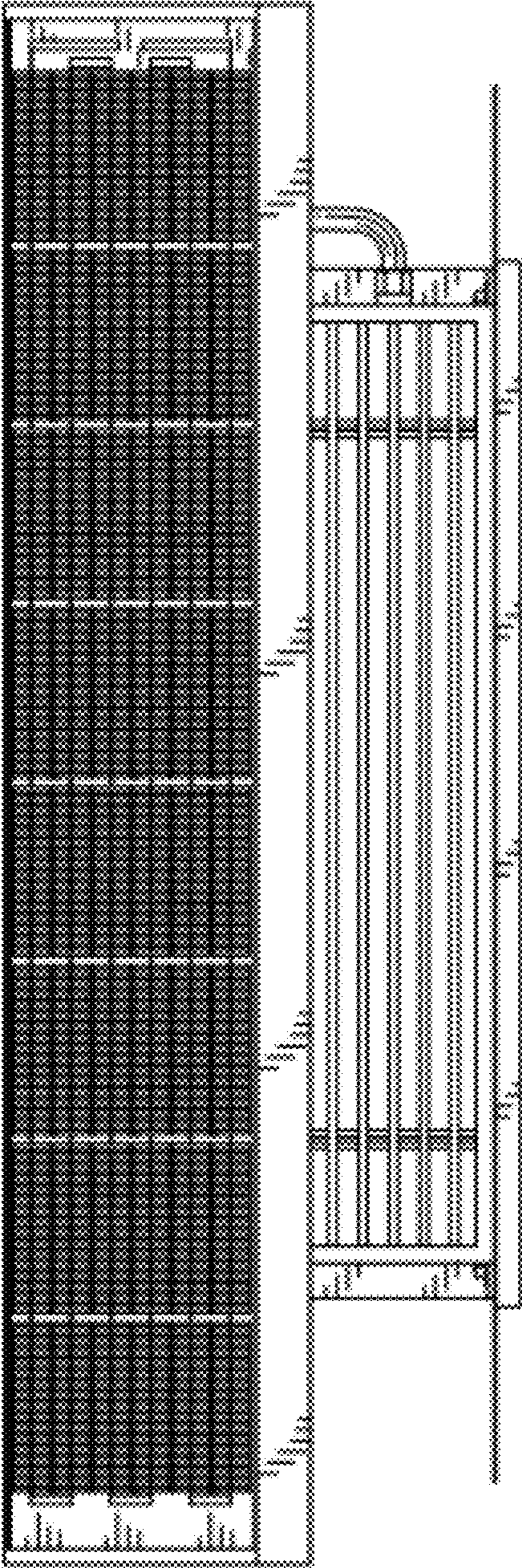


FIG. 2

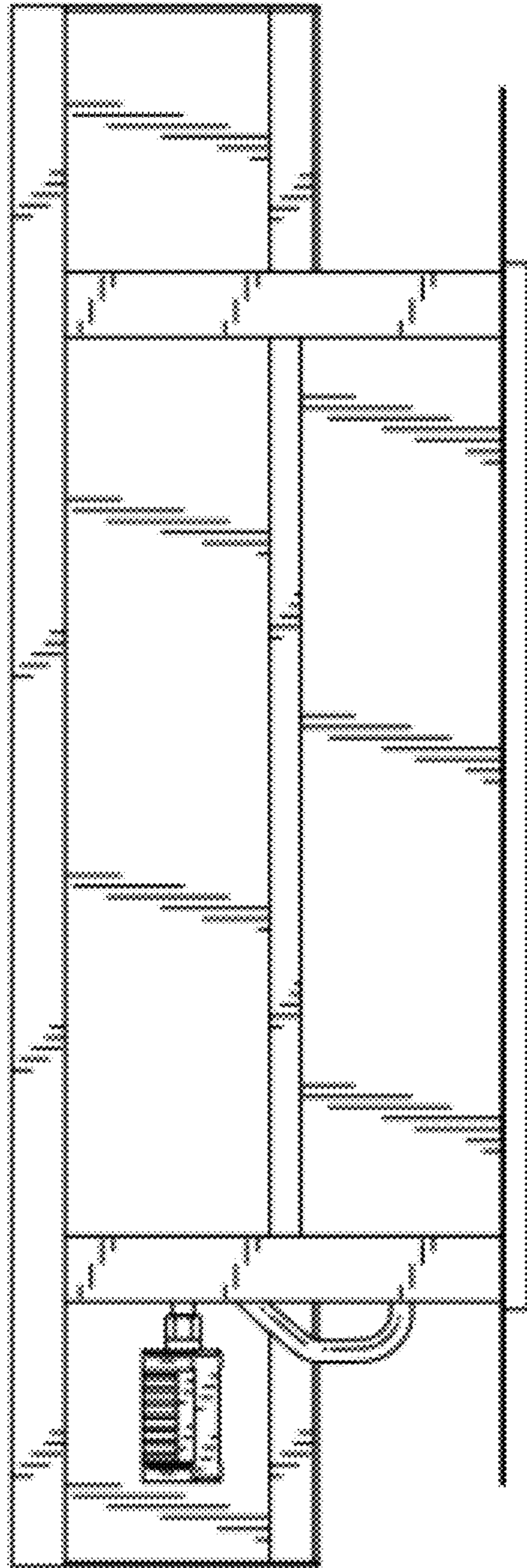


FIG. 3

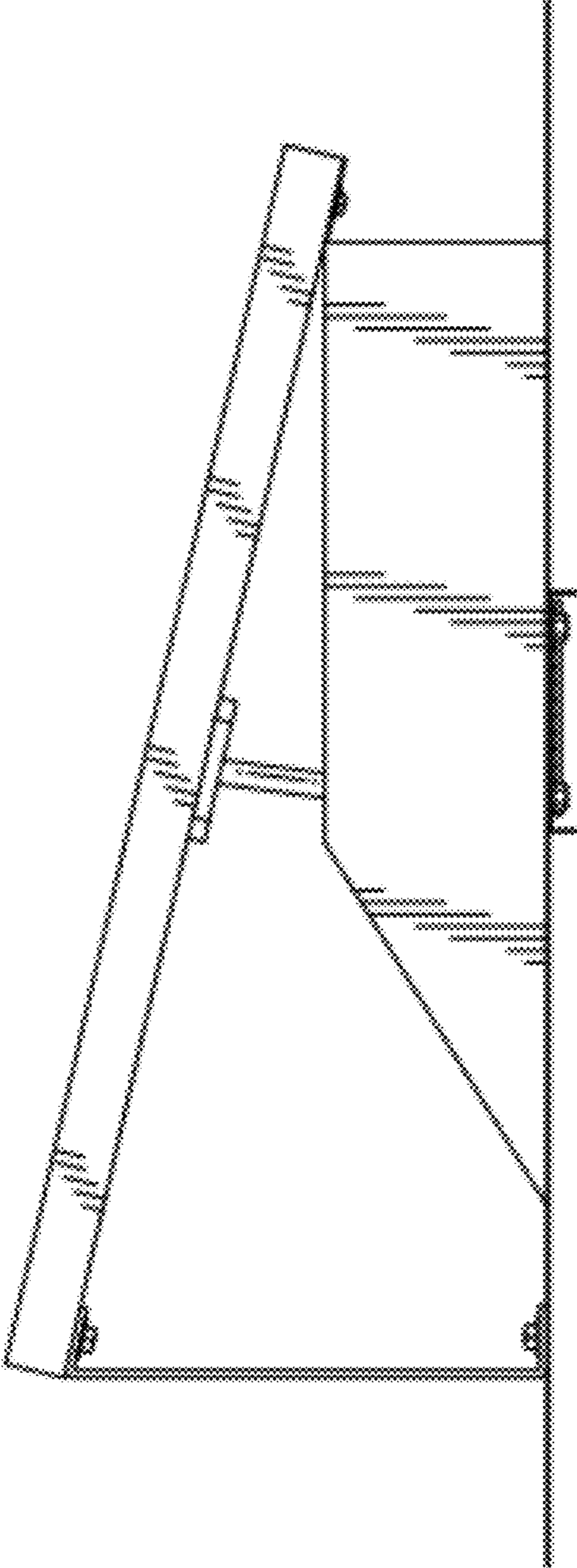


FIG. 4

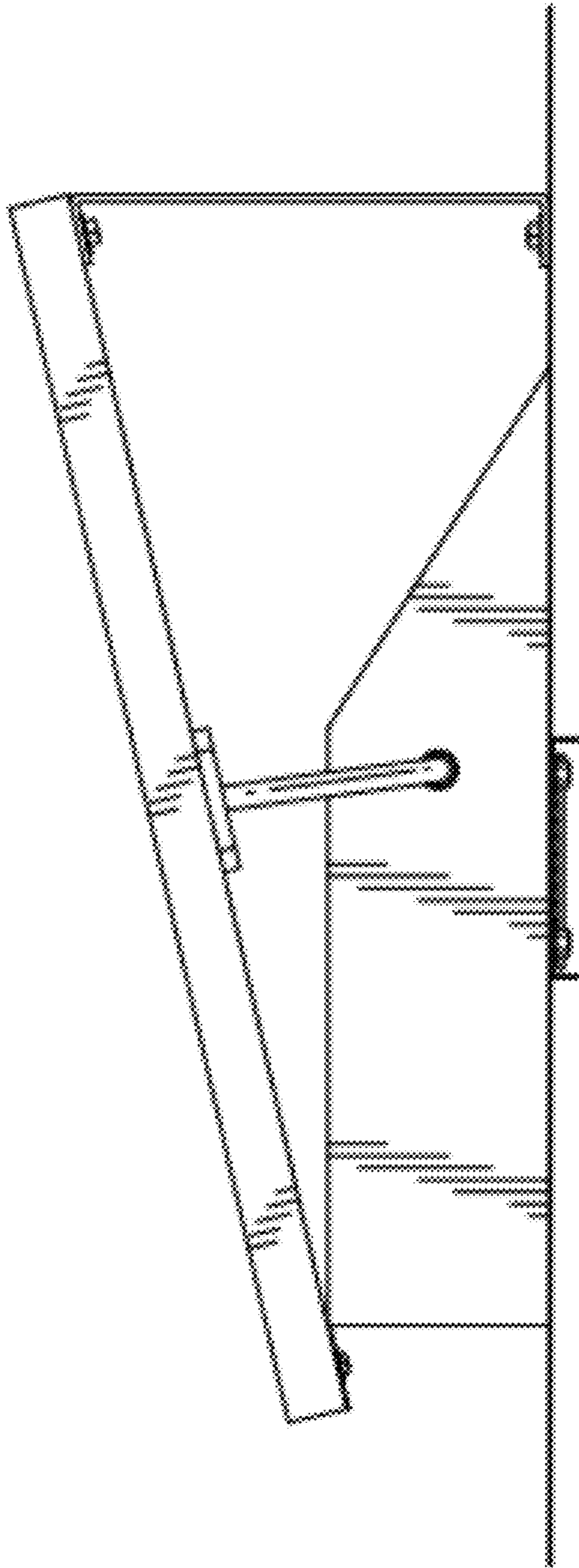


FIG. 5

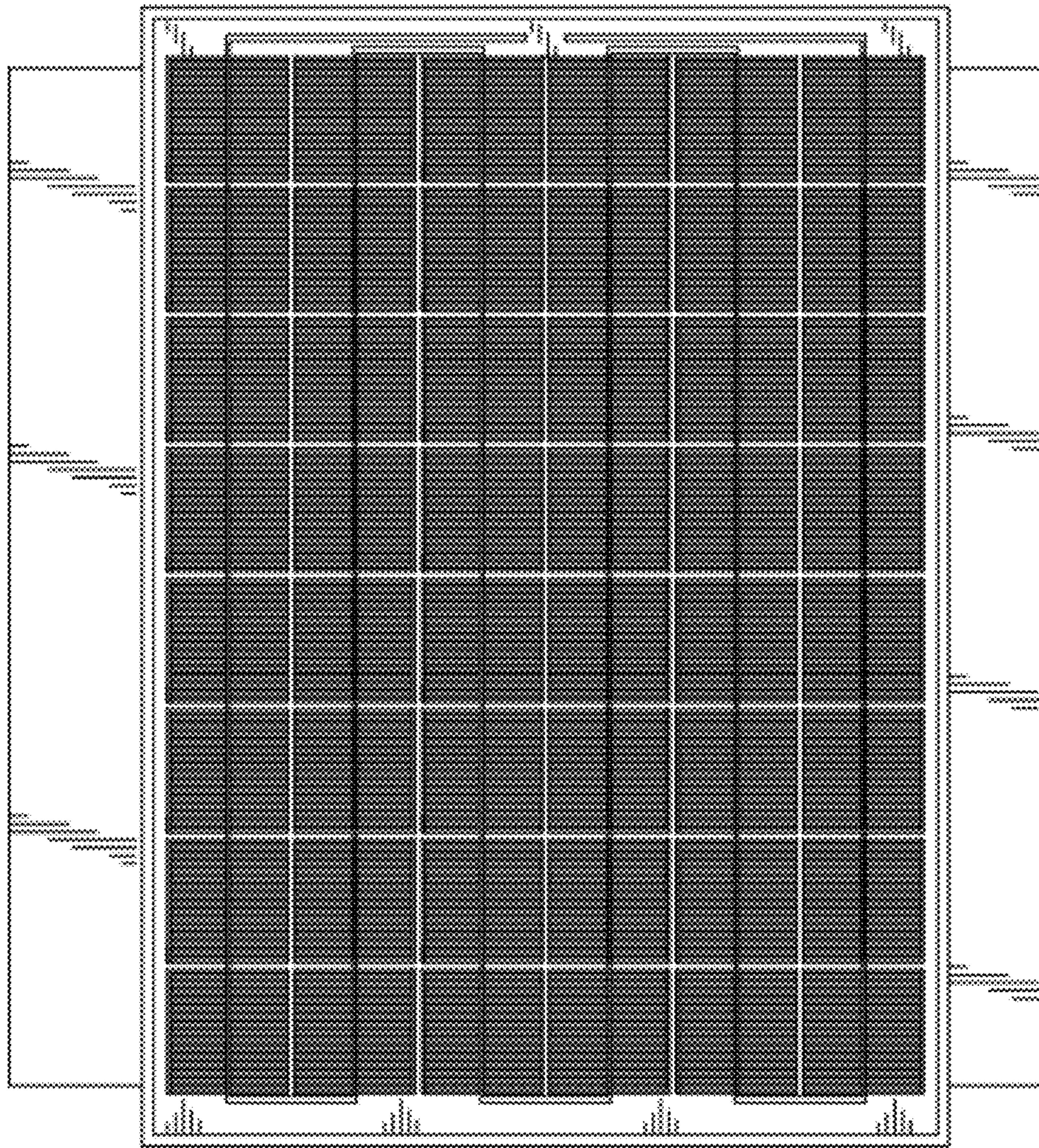


FIG. 6

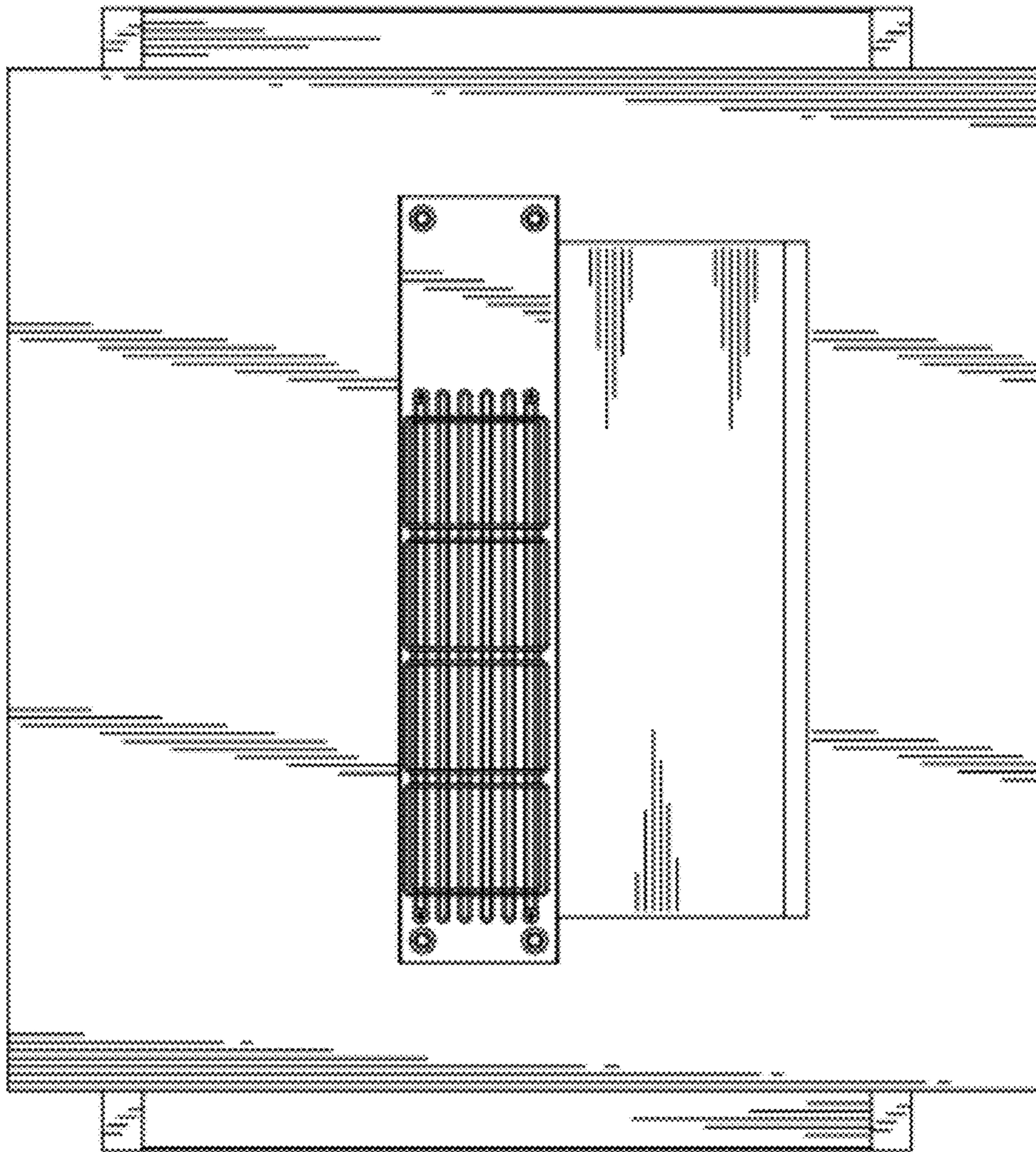


FIG. 7

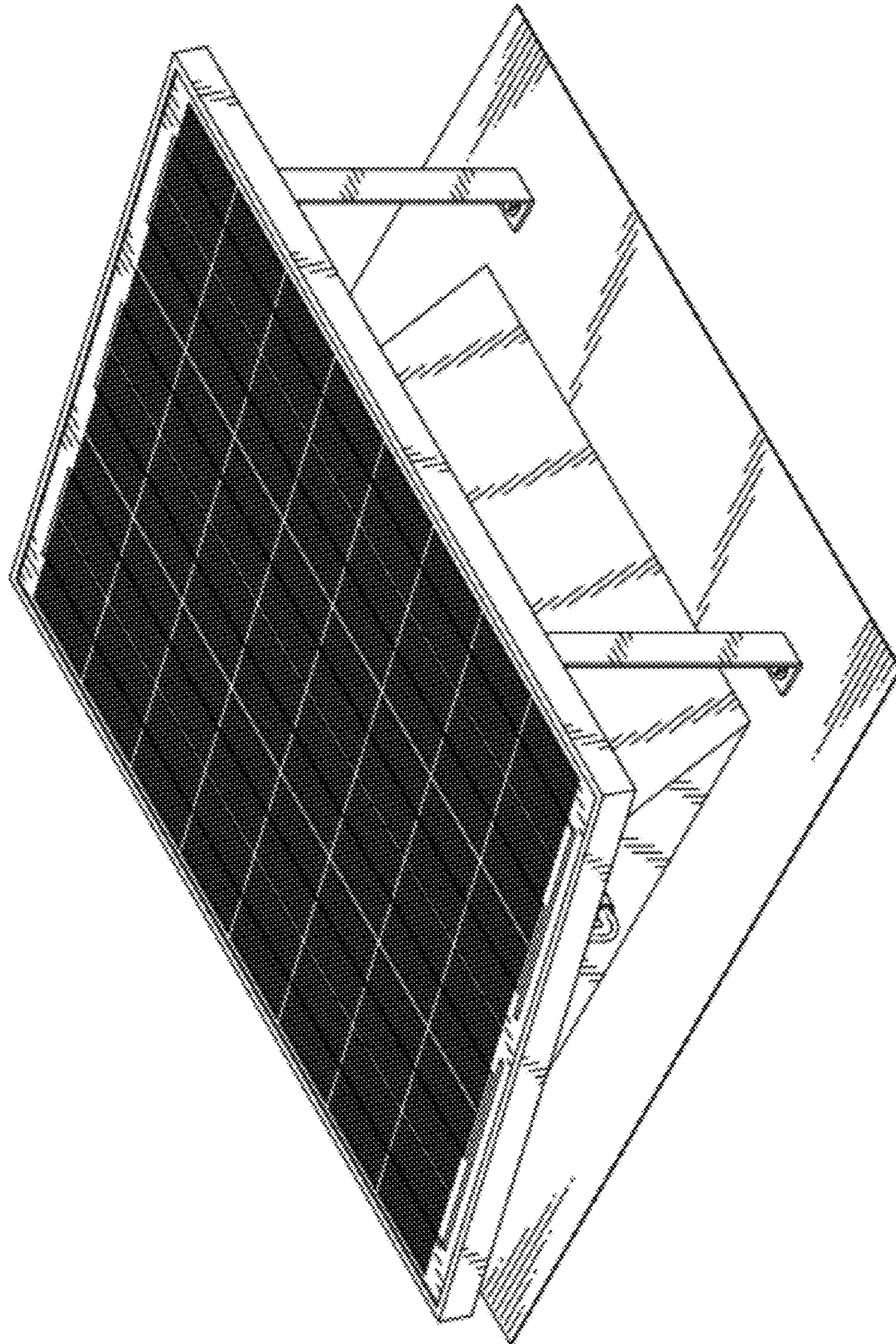


FIG. 8