



US00D662039S

(12) **United States Design Patent**  
**Miyasaka et al.**

(10) **Patent No.:** **US D662,039 S**  
(45) **Date of Patent:** **\*\* Jun. 19, 2012**

(54) **SIDEWALL PORTION OF AN AUTOMOBILE TIRE**

(75) Inventors: **Atsushi Miyasaka**, Tokyo (JP); **Daita Itoi**, Tokyo (JP)

(73) Assignee: **Bridgestone Corporation**, Tokyo (JP)

(\*\*) Term: **14 Years**

(21) Appl. No.: **29/394,188**

(22) Filed: **Jun. 14, 2011**

(30) **Foreign Application Priority Data**

Dec. 15, 2010 (JP) ..... 2010-029923

(51) **LOC (9) Cl.** ..... **12-15**

(52) **U.S. Cl.** ..... **D12/605**

(58) **Field of Classification Search** ..... D12/500-501,  
D12/544, 579, 600-605; 152/523-524, DIG. 12,  
152/555; D7/588, 396.4-396.5

See application file for complete search history.

(56) **References Cited**

**U.S. PATENT DOCUMENTS**

D385,834 S \* 11/1997 Ratliff, Jr. .... D12/605  
D549,165 S \* 8/2007 Shondel et al. .... D12/605  
D557,202 S \* 12/2007 Shondel ..... D12/605  
D569,337 S \* 5/2008 Iwabuchi ..... D12/605

D569,792 S \* 5/2008 Holden et al. .... D12/605  
D605,583 S \* 12/2009 Scheifele ..... D12/605  
D632,641 S \* 2/2011 Sato ..... D12/605  
D647,474 S \* 10/2011 Takahashi ..... D12/605  
D650,323 S \* 12/2011 Morito et al. .... D12/605

\* cited by examiner

*Primary Examiner* — Stacia Cadmus

(74) *Attorney, Agent, or Firm* — Sughrue Mion, PLLC

(57) **CLAIM**

The ornamental design for a sidewall portion of an automobile tire, as shown and described.

**DESCRIPTION**

FIG. 1 is a perspective of a sidewall portion of an automobile tire;

FIG. 2 is a front view thereof;

FIG. 3 is a rear view thereof;

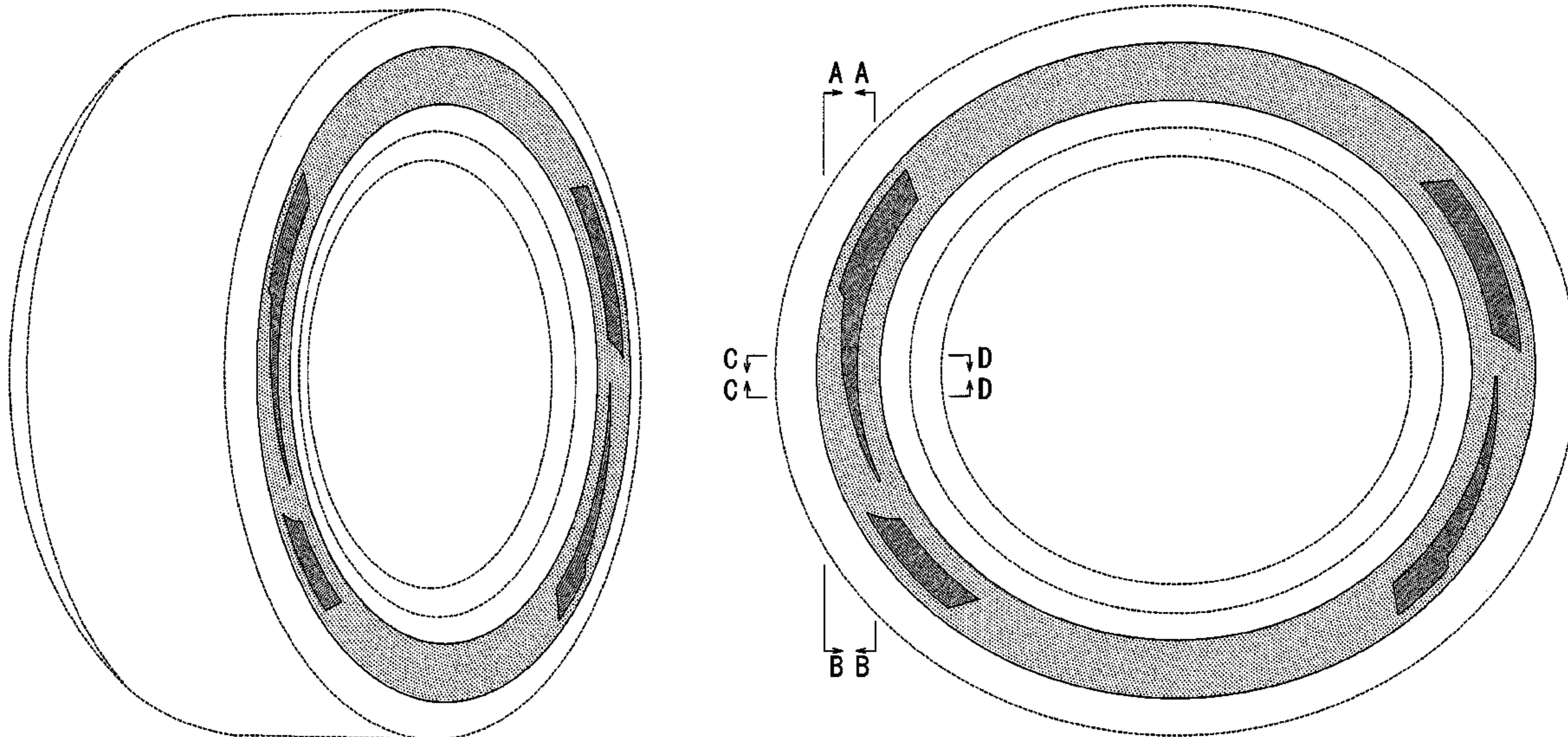
FIG. 4 is a top plan view thereof;

FIG. 5 is a right side view thereof;

FIG. 6 is a fragmentary enlarged view showing the details of the sidewall portion defined by cross-section by lines A-A, B-B, C-C and D-D in FIG. 2 thereof; and,

FIG. 7 is an end view taken along line E-E in FIG. 6 thereof. The broken line showing of the tire is included for the purpose of illustrating environment and forms no part of the claimed design.

**1 Claim, 7 Drawing Sheets**



*FIG. 1*

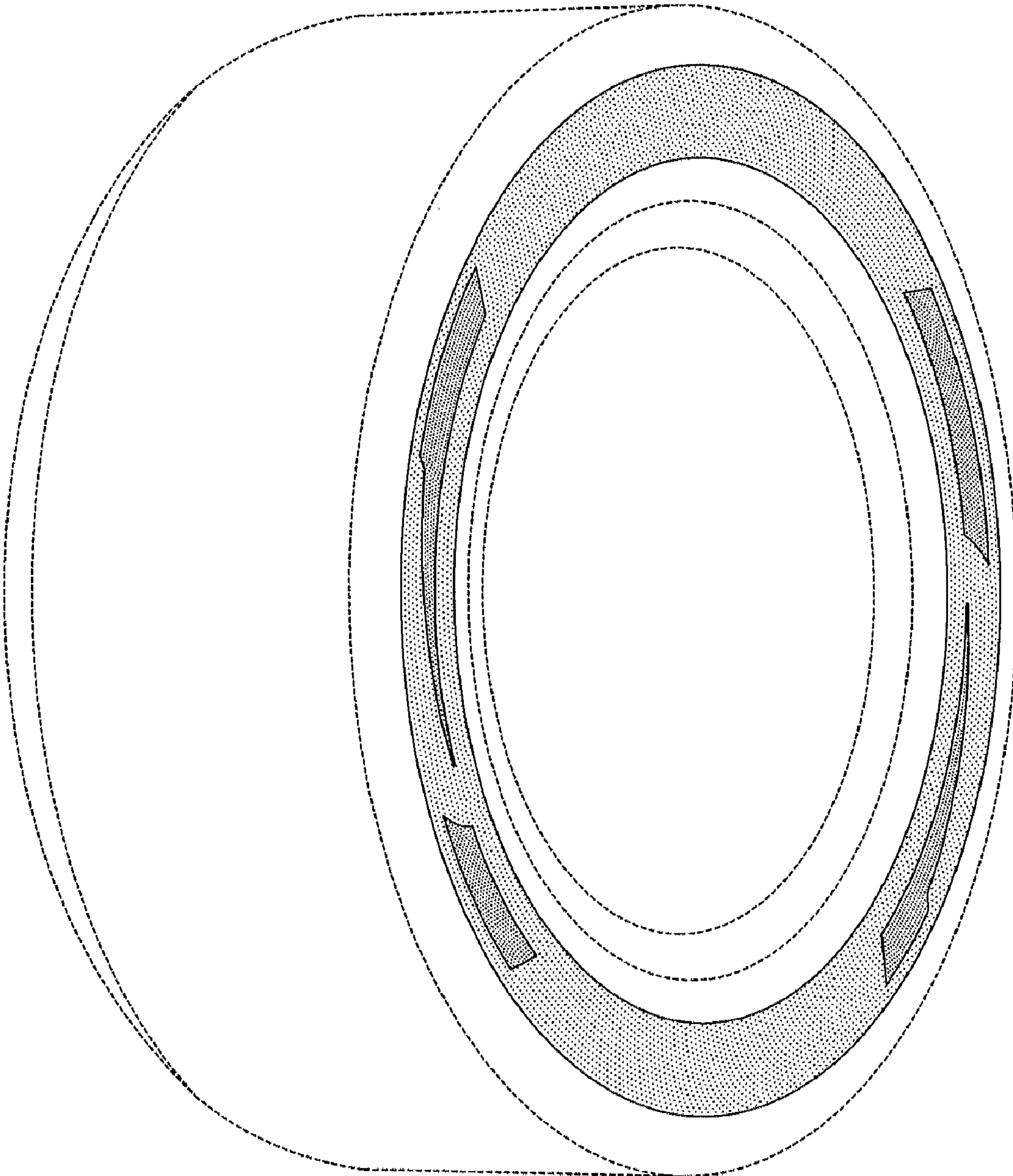
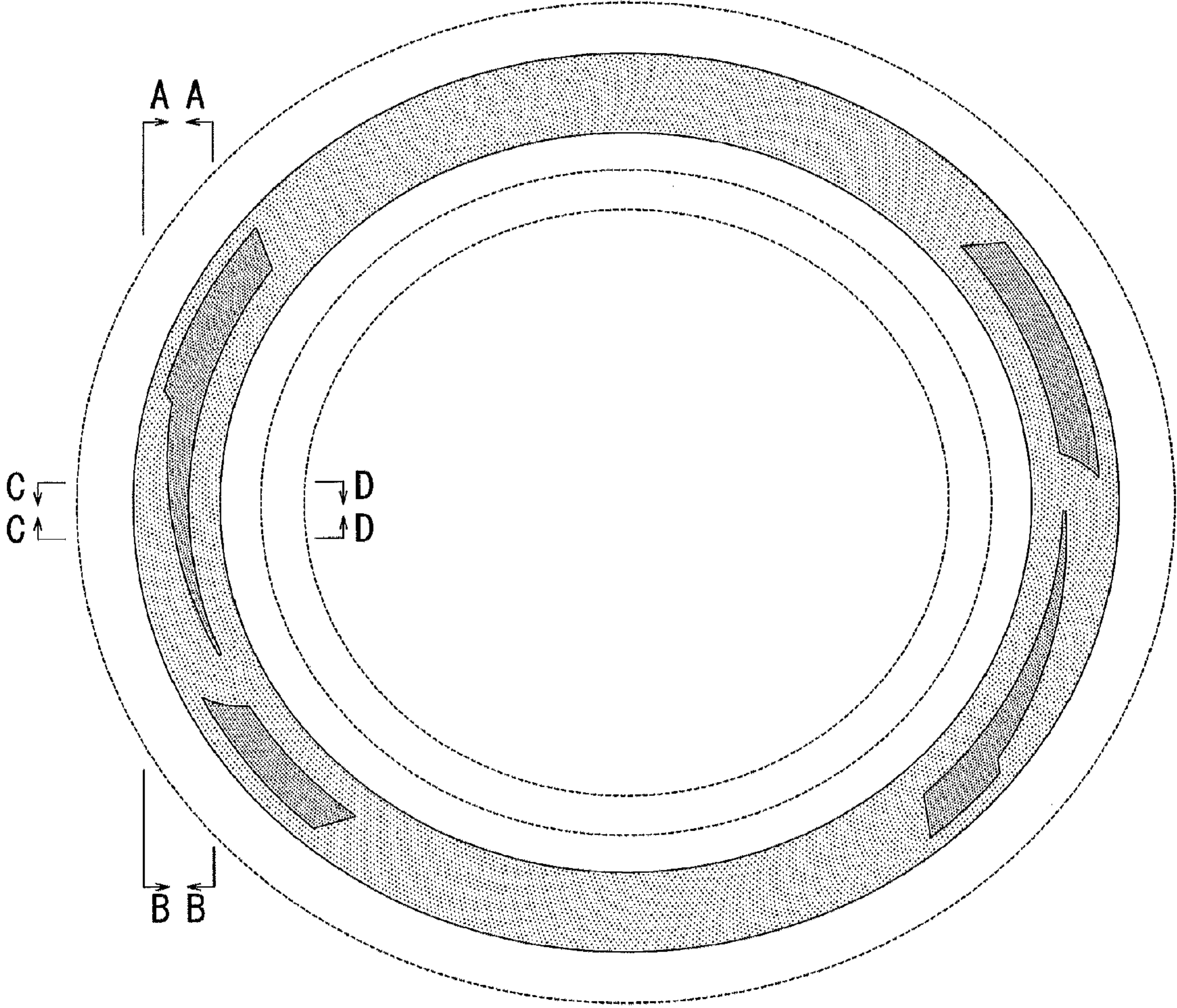
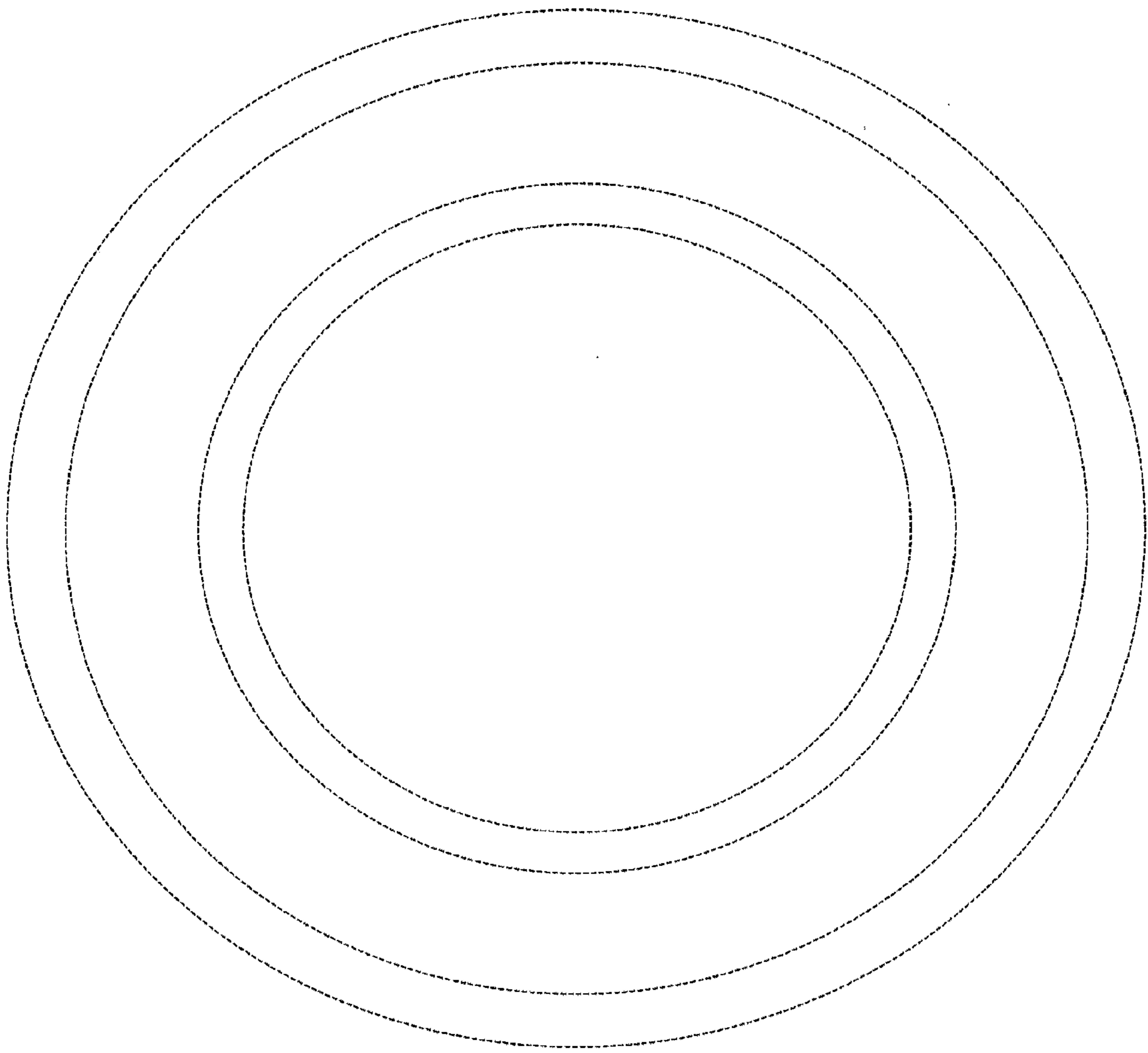


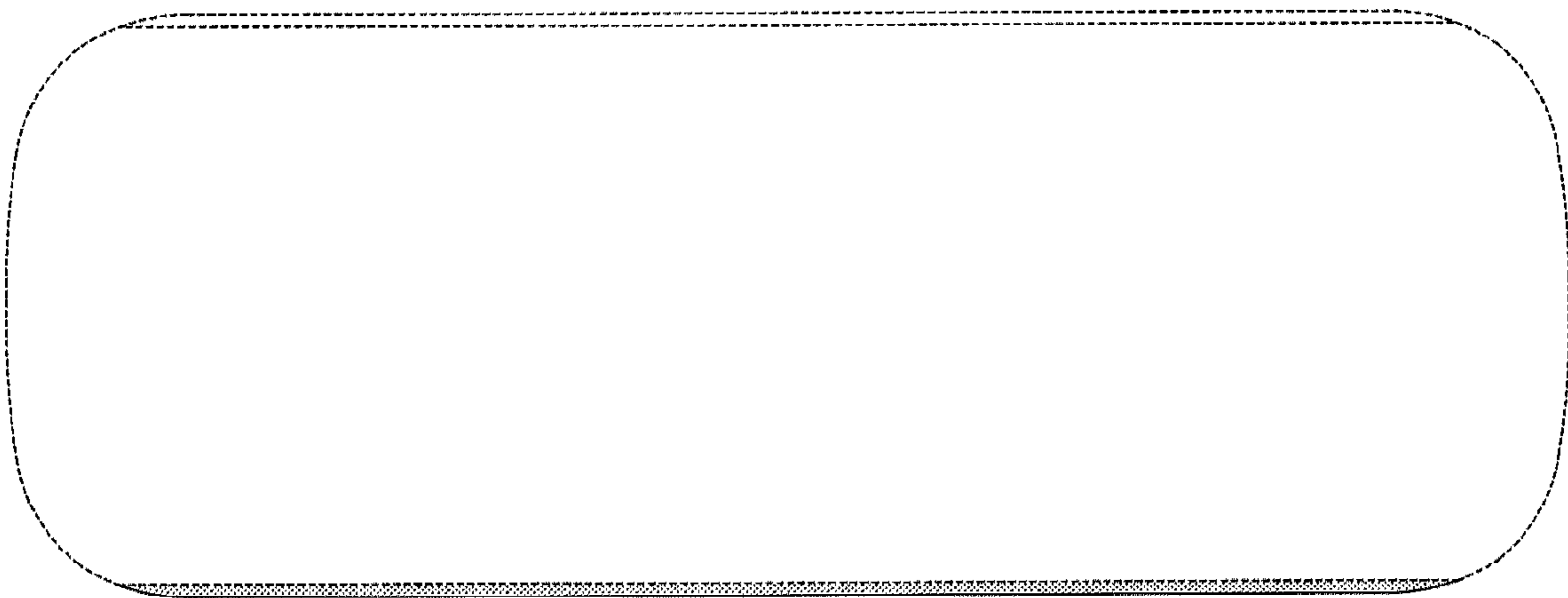
FIG. 2



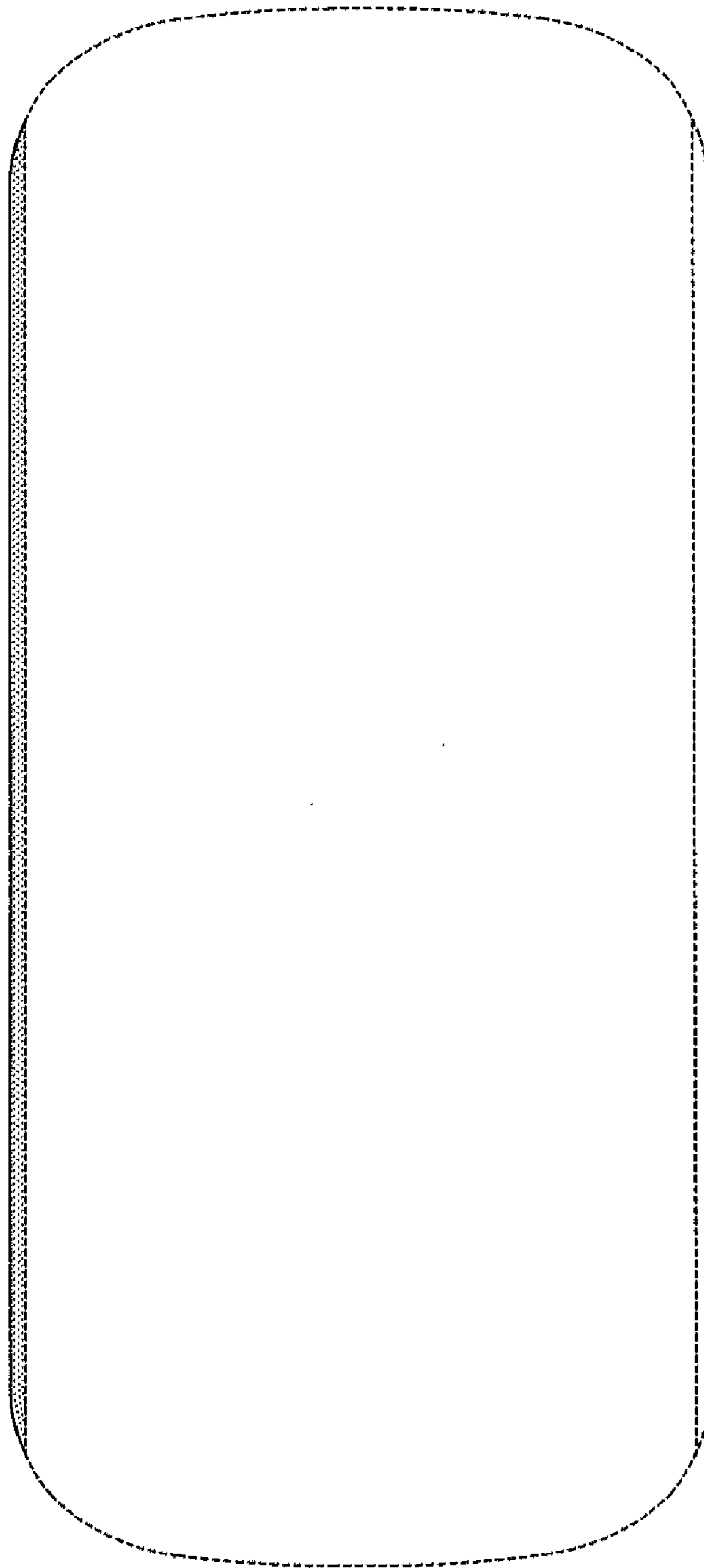
*FIG. 3*



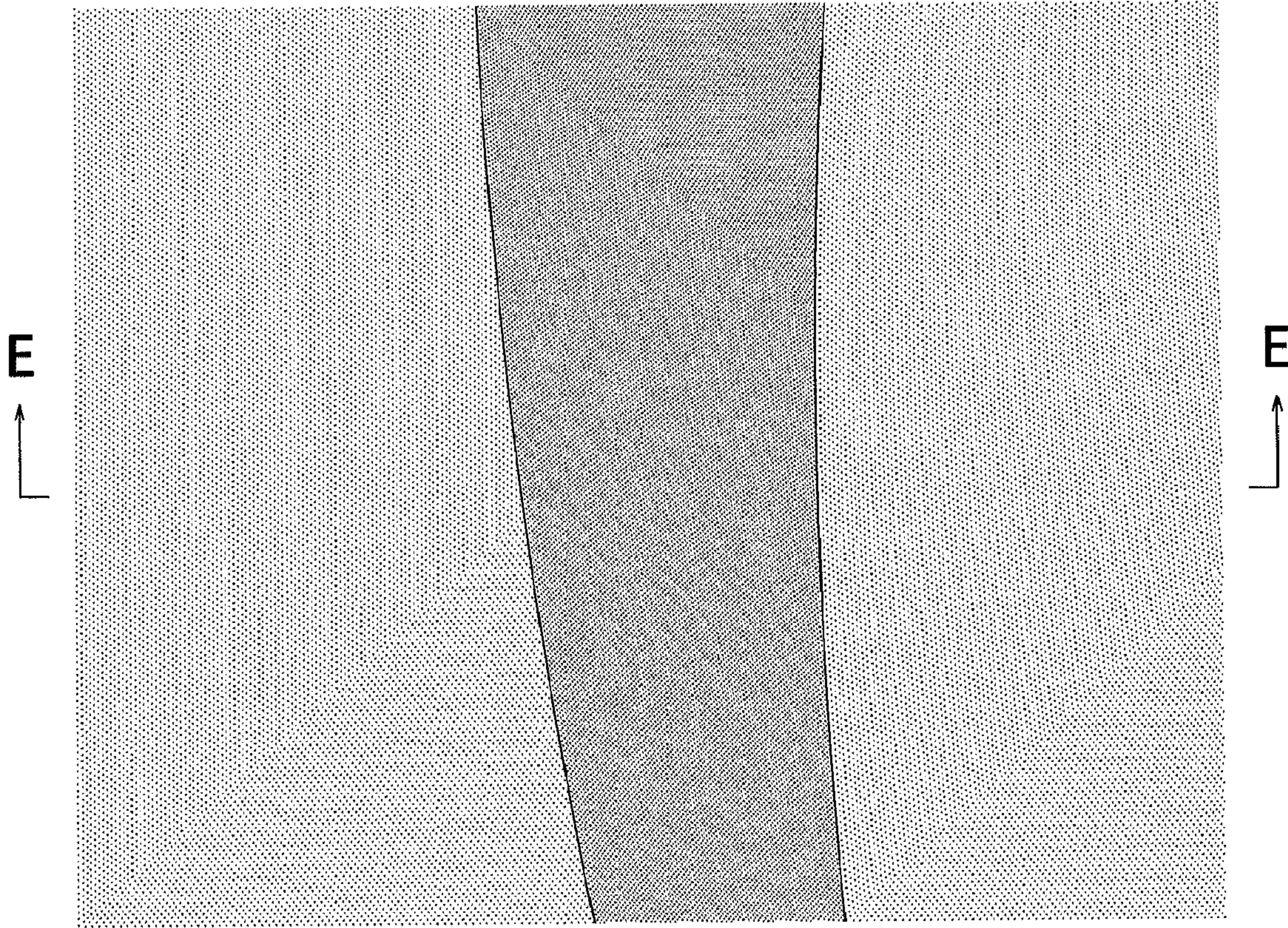
*FIG. 4*



*FIG. 5*



*FIG. 6*



*FIG. 7*

