

US00D662032S

(12) **United States Design Patent**
Behr

(10) **Patent No.:** **US D662,032 S**
(45) **Date of Patent:** **** Jun. 19, 2012**

(54) **TIRE TREAD FOR A VEHICLE TIRE**

(75) Inventor: **Ulrich Behr**, Hanover (DE)

(73) Assignee: **Continental Reifen Deutschland GmbH**, Hannover (DE)

(**) Term: **14 Years**

(21) Appl. No.: **29/361,092**

(22) Filed: **May 5, 2010**

(30) **Foreign Application Priority Data**

Feb. 2, 2010 (EM) 001664285-0002

(51) **LOC (9) Cl.** **12-15**

(52) **U.S. Cl.** **D12/516**

(58) **Field of Classification Search** D12/505-532,
D12/900-901; 152/209.1-209.28, 455
See application file for complete search history.

(56) **References Cited**

U.S. PATENT DOCUMENTS

D369,763 S * 5/1996 Saeki et al. D12/518
D393,613 S * 4/1998 Brayer et al. D12/518

D522,442 S * 6/2006 Shirouzu D12/515
D524,720 S * 7/2006 Dumigan D12/516
D524,721 S * 7/2006 Dumigan et al. D12/516
D578,470 S * 10/2008 Regallis et al. D12/516
D598,363 S * 8/2009 Misumi D12/515
D600,629 S * 9/2009 Takahashi D12/518
D642,971 S * 8/2011 Takahashi D12/518
D647,454 S * 10/2011 Fabing et al. D12/518
D647,455 S * 10/2011 Frappart et al. D12/518

* cited by examiner

Primary Examiner — Stacia Cadmus

(74) *Attorney, Agent, or Firm* — Laurence A. Greenberg;
Werner H. Stemer; Ralph E. Locher

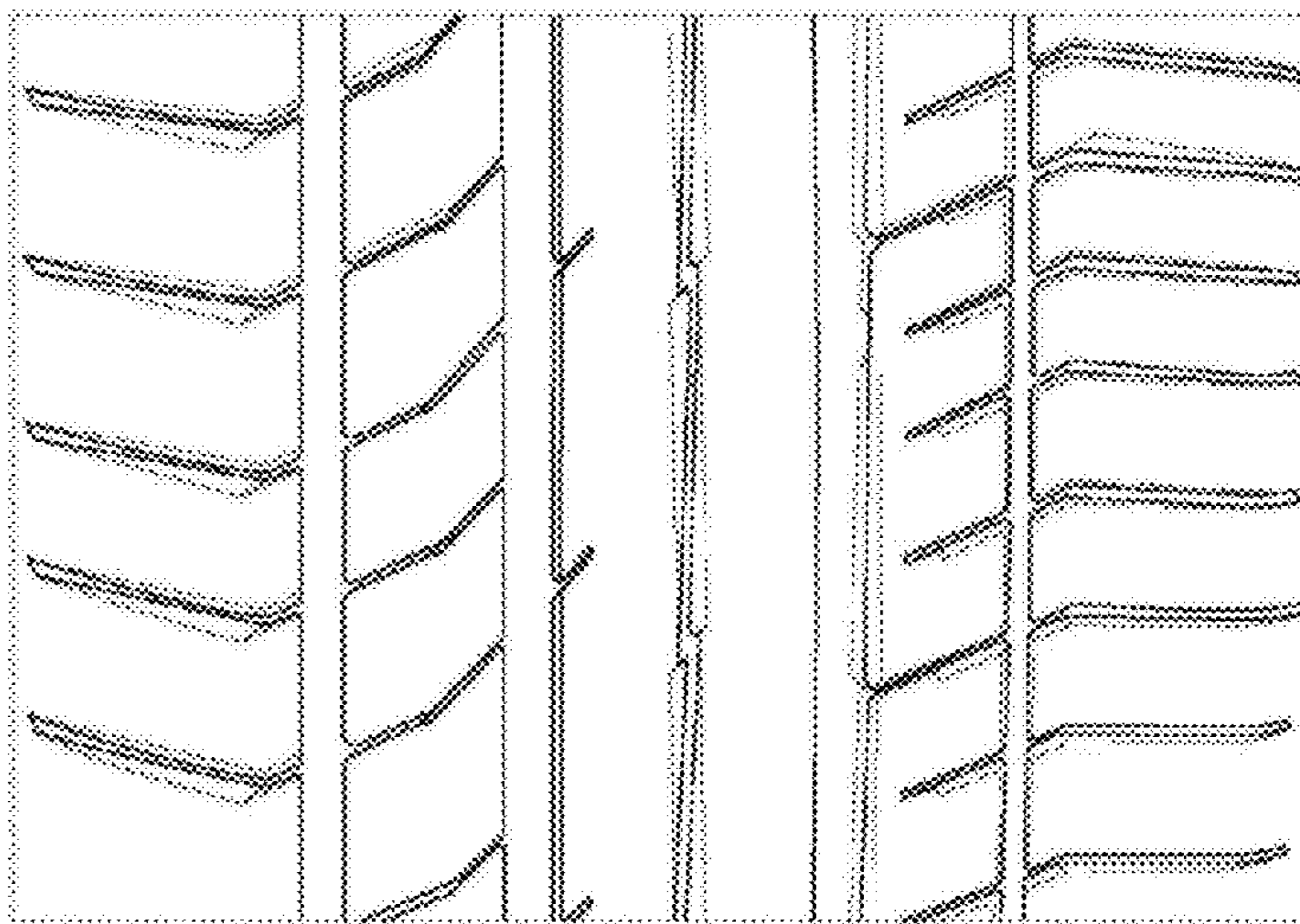
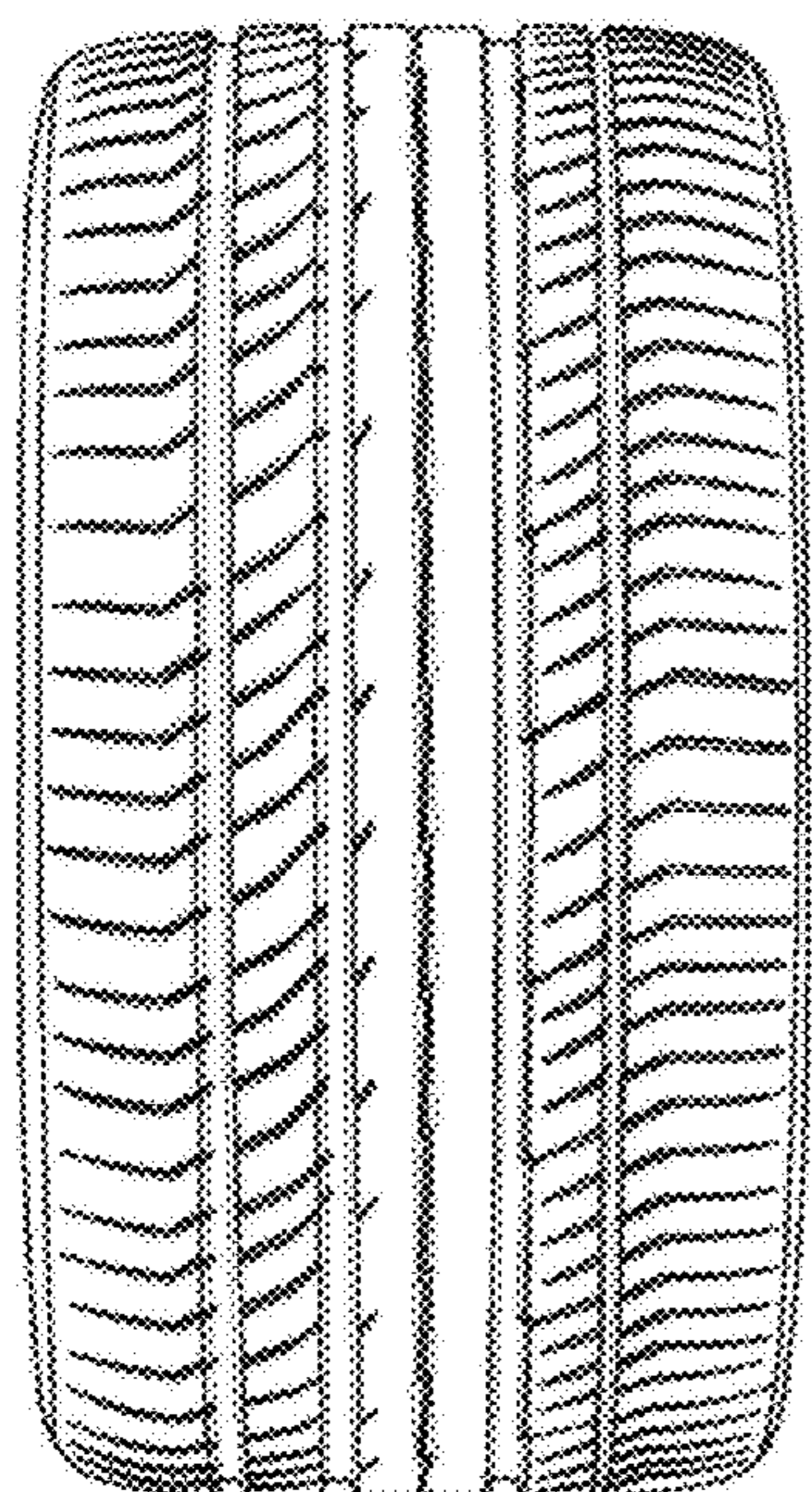
(57) **CLAIM**

The ornamental design for a tire tread for a vehicle tire, as shown and described.

DESCRIPTION

FIG. 1 is a perspective view of the tire tread for a vehicle tire, showing my new design;
FIG. 2 is a front elevational view thereof;
FIG. 3 is an enlarged partial front view thereof;
FIG. 4 is a left side elevational view thereof; and,
FIG. 5 is a right side elevational view thereof.

1 Claim, 5 Drawing Sheets



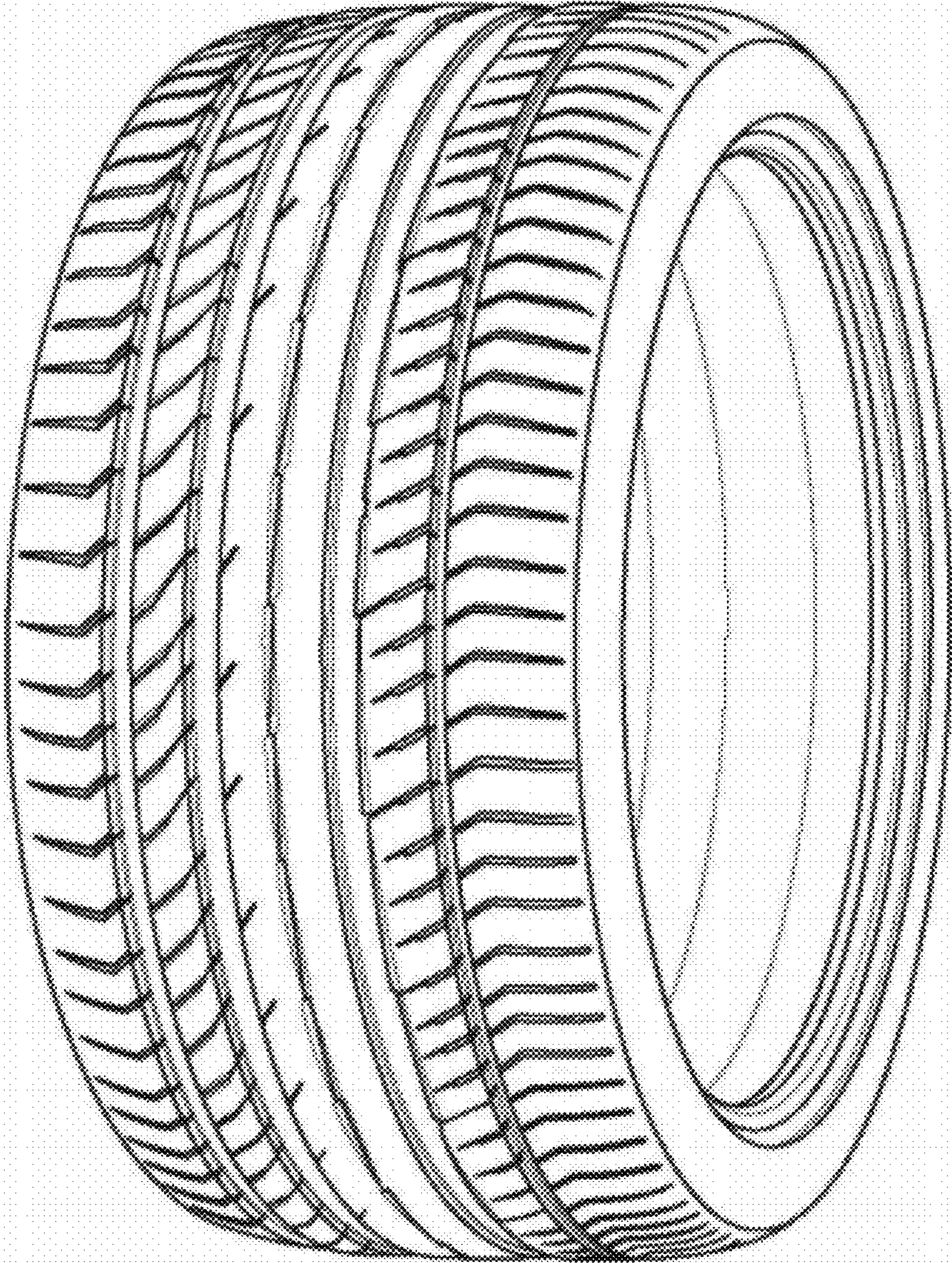


FIG. 1

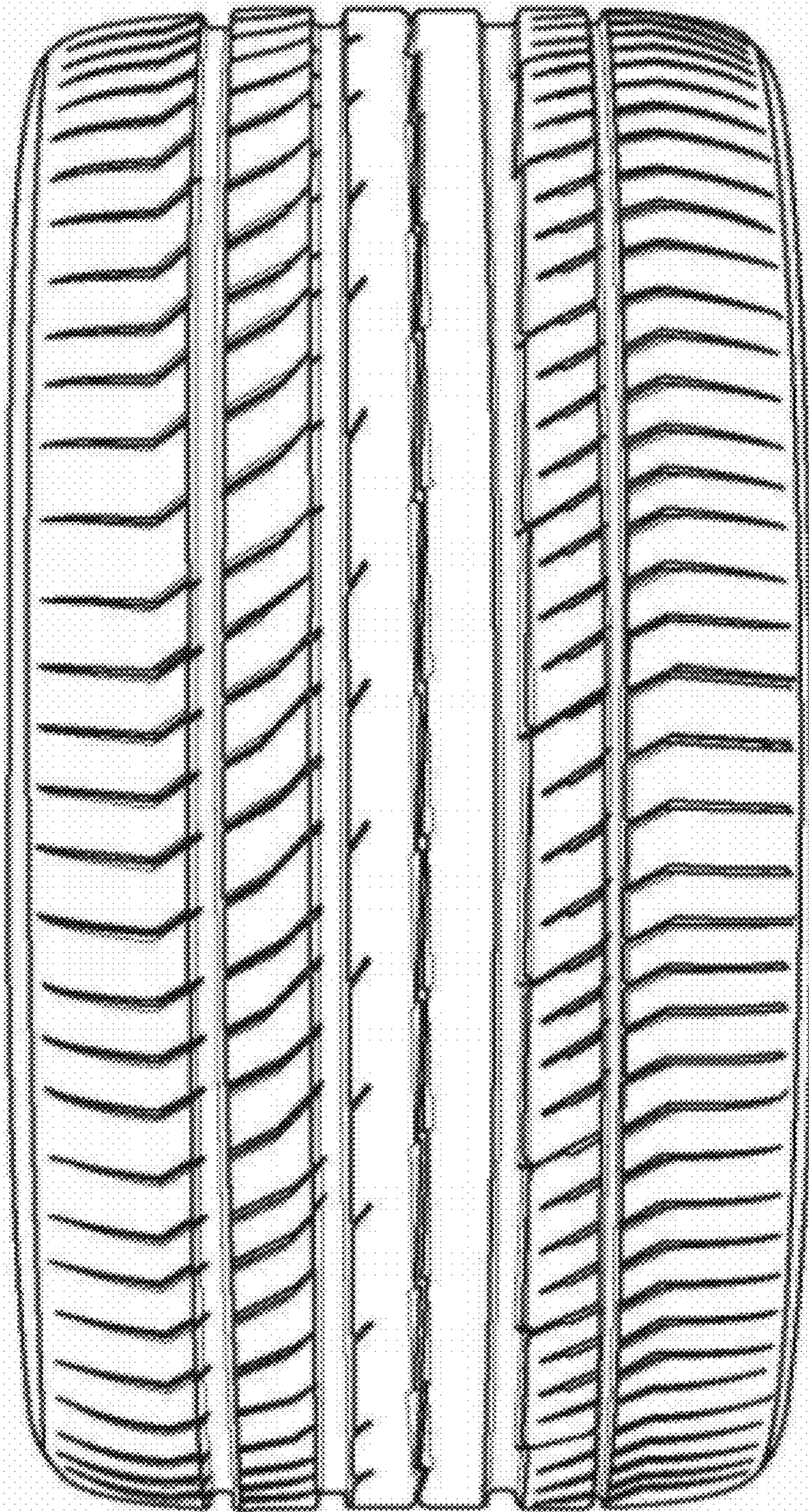


FIG. 2

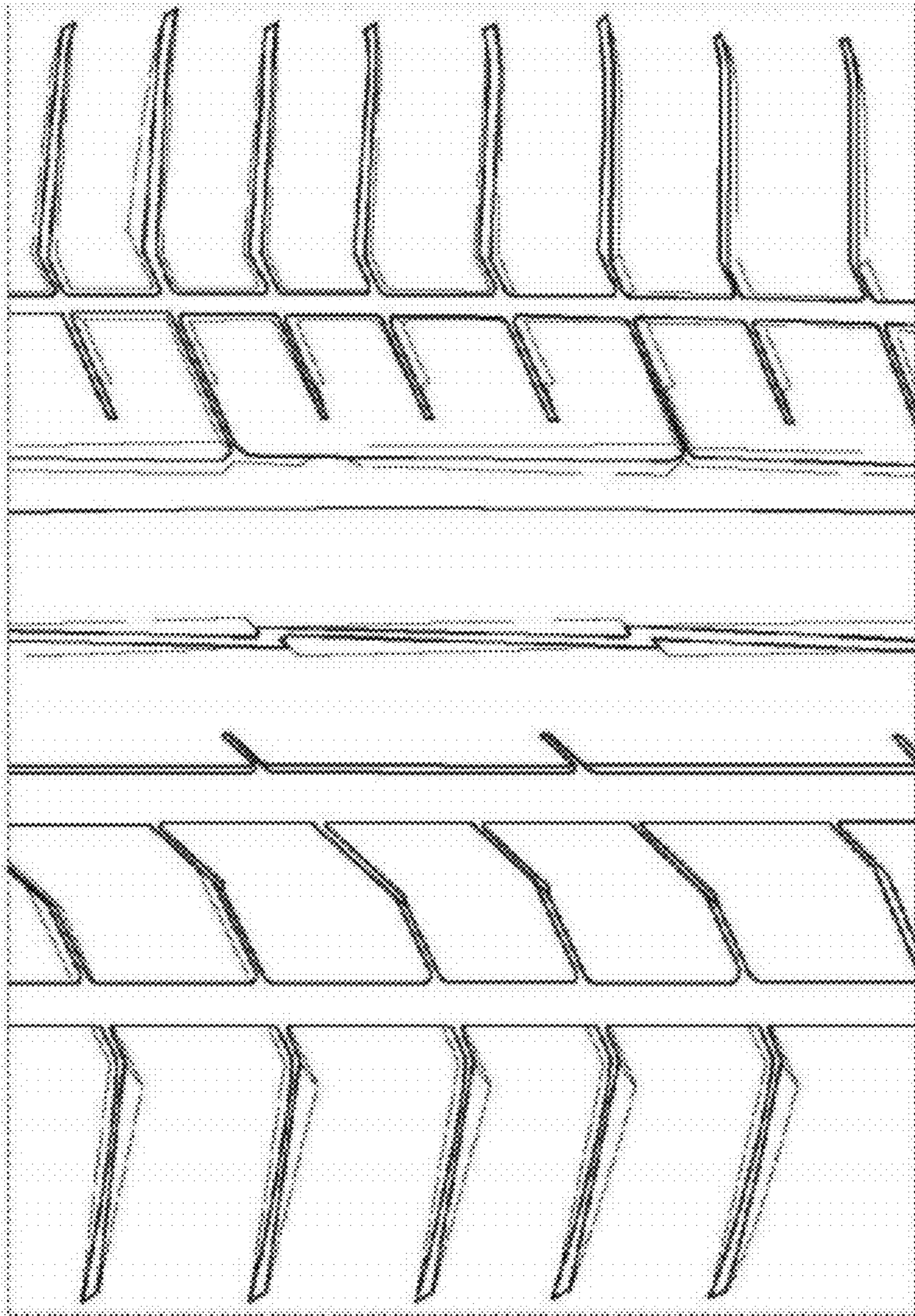


FIG. 3

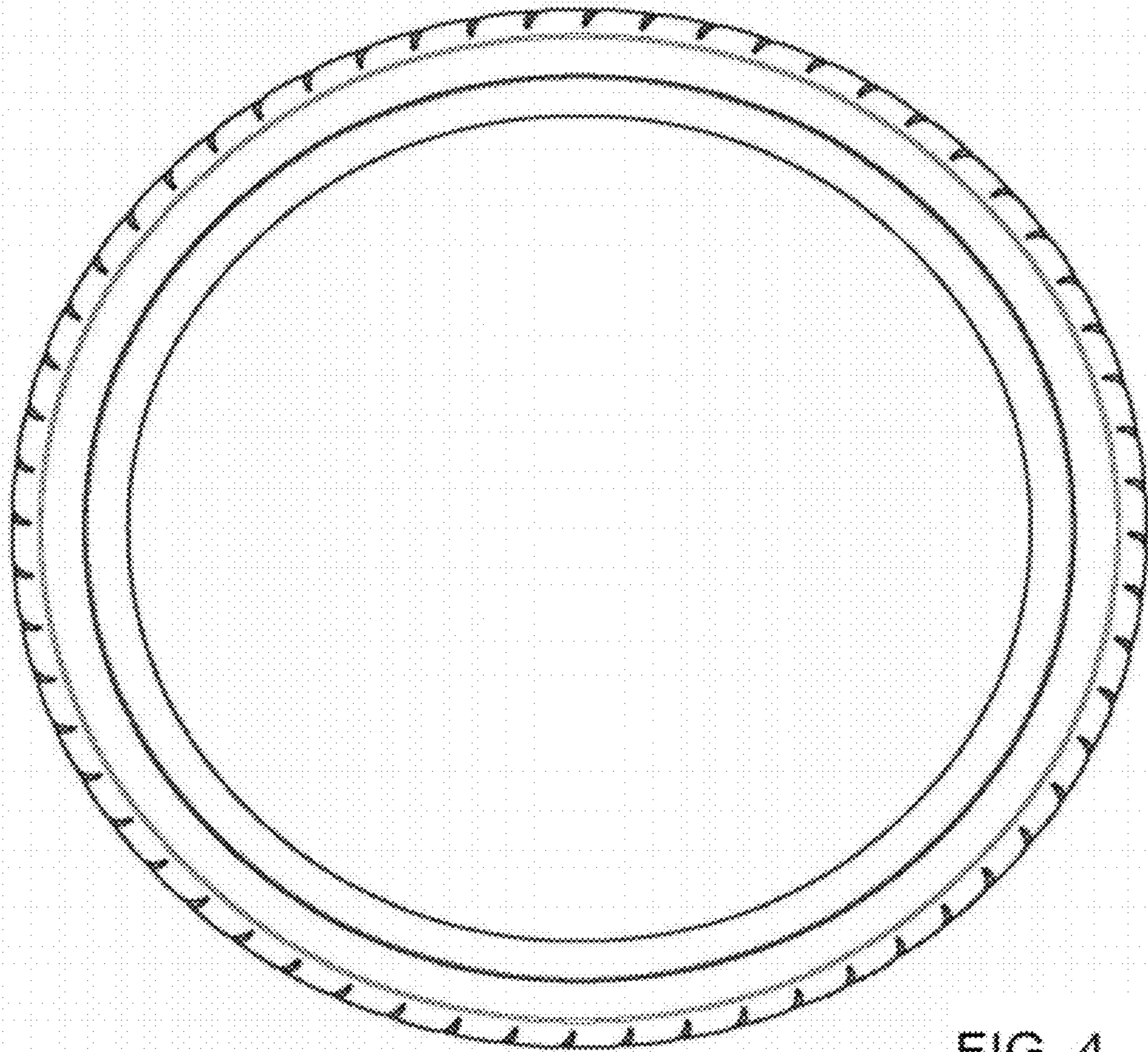


FIG. 4

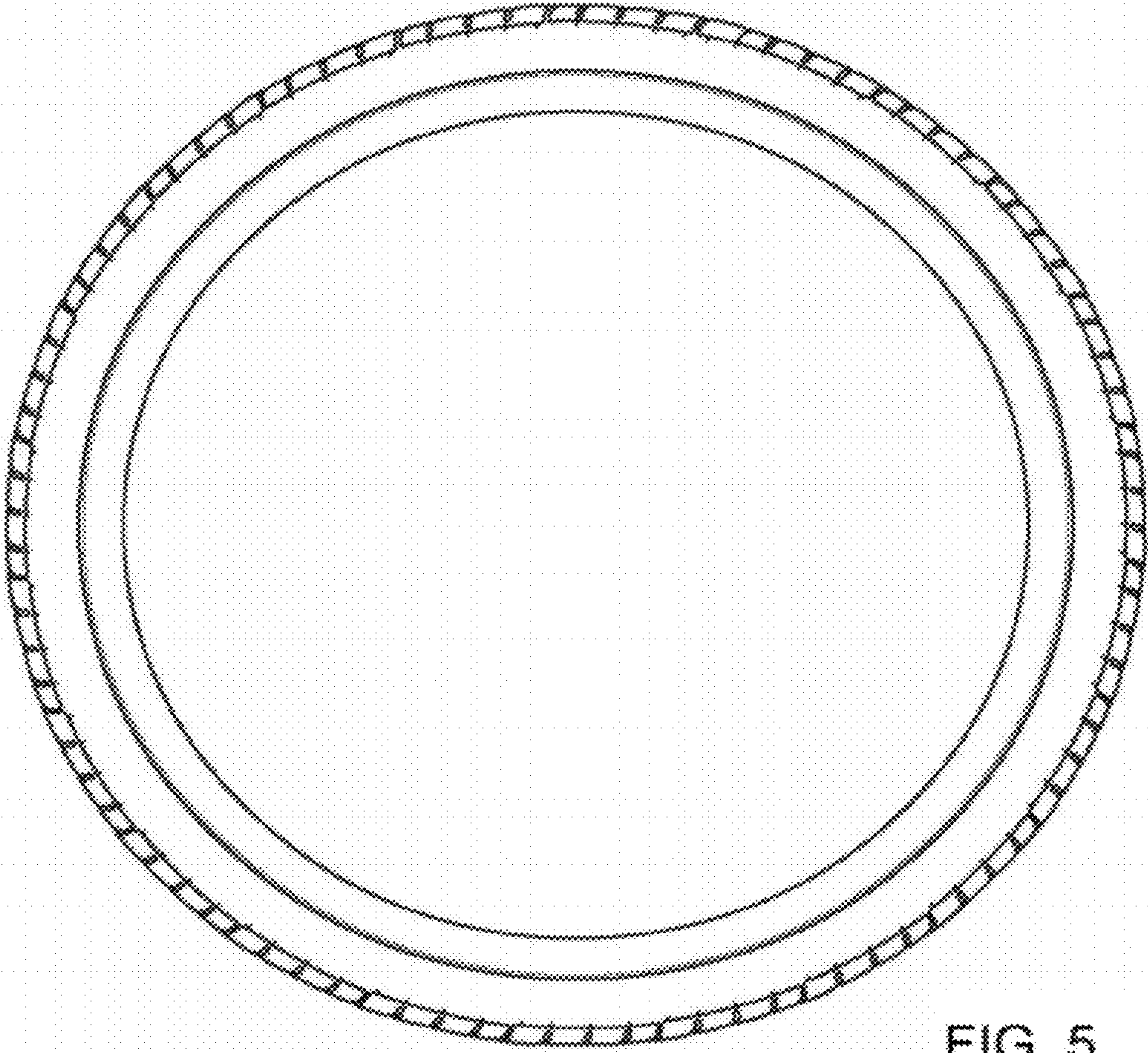


FIG. 5