

US00D662028S

(12) **United States Design Patent**  
**Finbow**

(10) **Patent No.:** **US D662,028 S**  
(45) **Date of Patent:** **\*\* Jun. 19, 2012**

(54) **WATERCRAFT DECK**

(75) Inventor: **Matthew James Finbow**, Uxbridge  
(CA)

(73) Assignee: **Magna Marque International Inc.**  
(CA)

(\*\*) Term: **14 Years**

(21) Appl. No.: **29/379,986**

(22) Filed: **Nov. 29, 2010**

(51) **LOC (9) Cl.** ..... **12-06**

(52) **U.S. Cl.** ..... **D12/317**

(58) **Field of Classification Search** ..... D12/300,  
D12/302, 303, 304, 307, 310–314, 316, 317,  
D12/318; 114/39.11–39.15, 39.21–39.32,  
114/61.1, 61.2, 61.32, 61.33, 62, 355–358,  
114/371, 373, 288–292  
See application file for complete search history.

(56) **References Cited**

**U.S. PATENT DOCUMENTS**

D245,902 S *	9/1977	Rogers	.....	D12/312
4,548,155 A *	10/1985	Hegg et al.	.....	114/362
D306,007 S *	2/1990	DePrey et al.	.....	D12/318
D349,090 S *	7/1994	Wenstadt	.....	D12/318
D356,289 S *	3/1995	Trent	.....	D12/318
D407,060 S *	3/1999	Allison	.....	D12/300

D464,601 S *	10/2002	Aube et al.	.....	D12/300
D465,446 S *	11/2002	Aube	.....	D12/300
D547,256 S *	7/2007	Kalil	.....	D12/317
D578,951 S *	10/2008	Jones et al.	.....	D12/317
D610,959 S *	3/2010	Gros	.....	D12/300
D632,631 S *	2/2011	Quirin et al.	.....	D12/300
D634,695 S *	3/2011	Watkins et al.	.....	D12/317

\* cited by examiner

*Primary Examiner* — Cynthia M Chin

(74) *Attorney, Agent, or Firm* — Cantor Colburn LLP

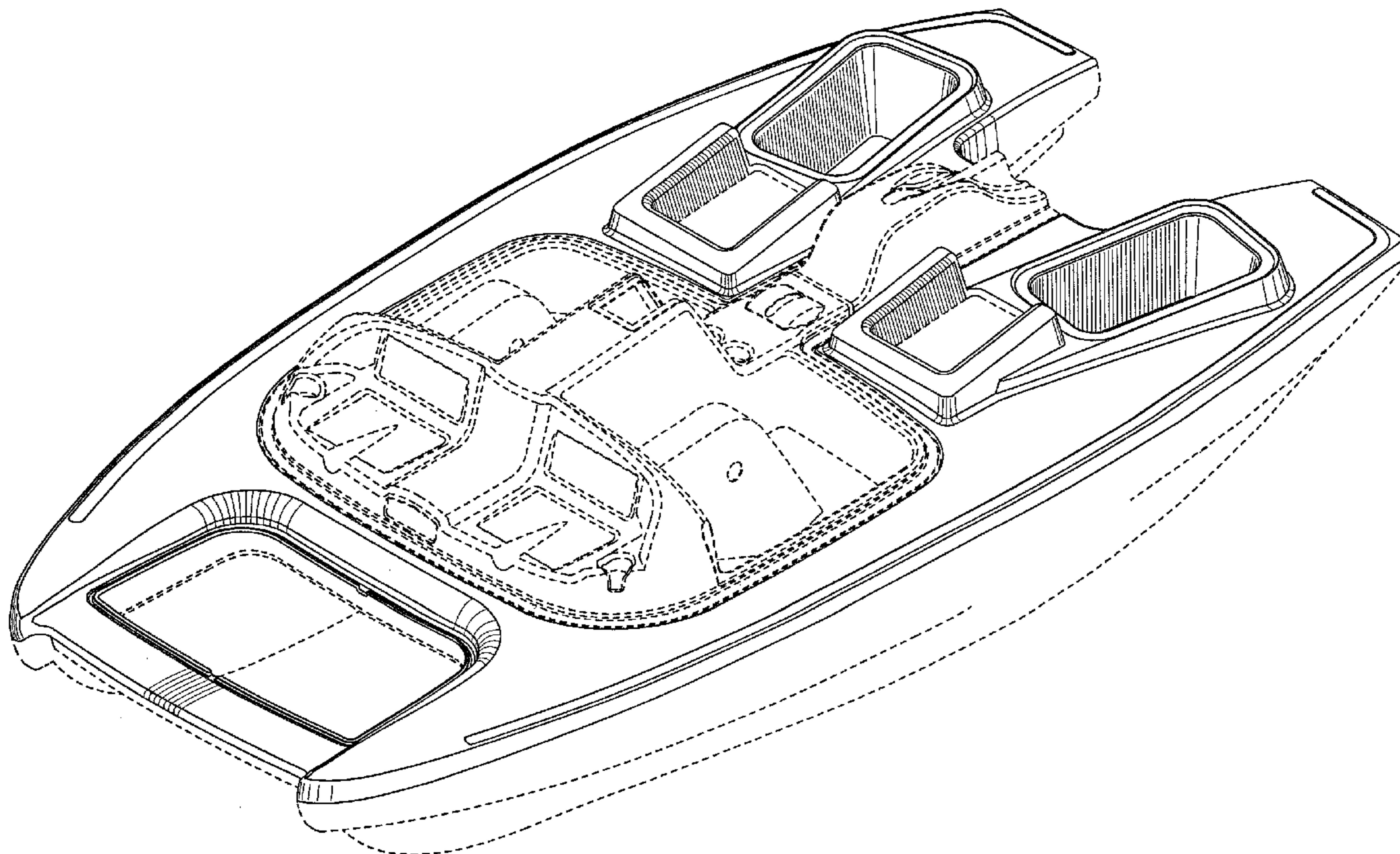
(57) **CLAIM**

The ornamental design for a watercraft deck, as shown and described.

**DESCRIPTION**

FIG. 1 is a perspective view of a watercraft deck, showing my new design;  
FIG. 2 is an enlarged front elevation view thereof;  
FIG. 3 is an enlarged rear elevation view thereof;  
FIG. 4 is a side elevation view thereof, the opposite side being a mirror image thereof;  
FIG. 5 is a top plan view thereof; and,  
FIG. 6 is a bottom plan view thereof.  
The broken lines shown are included for the purpose of illustrating the unclaimed portions of the article and form no part of the claimed design.

**1 Claim, 6 Drawing Sheets**



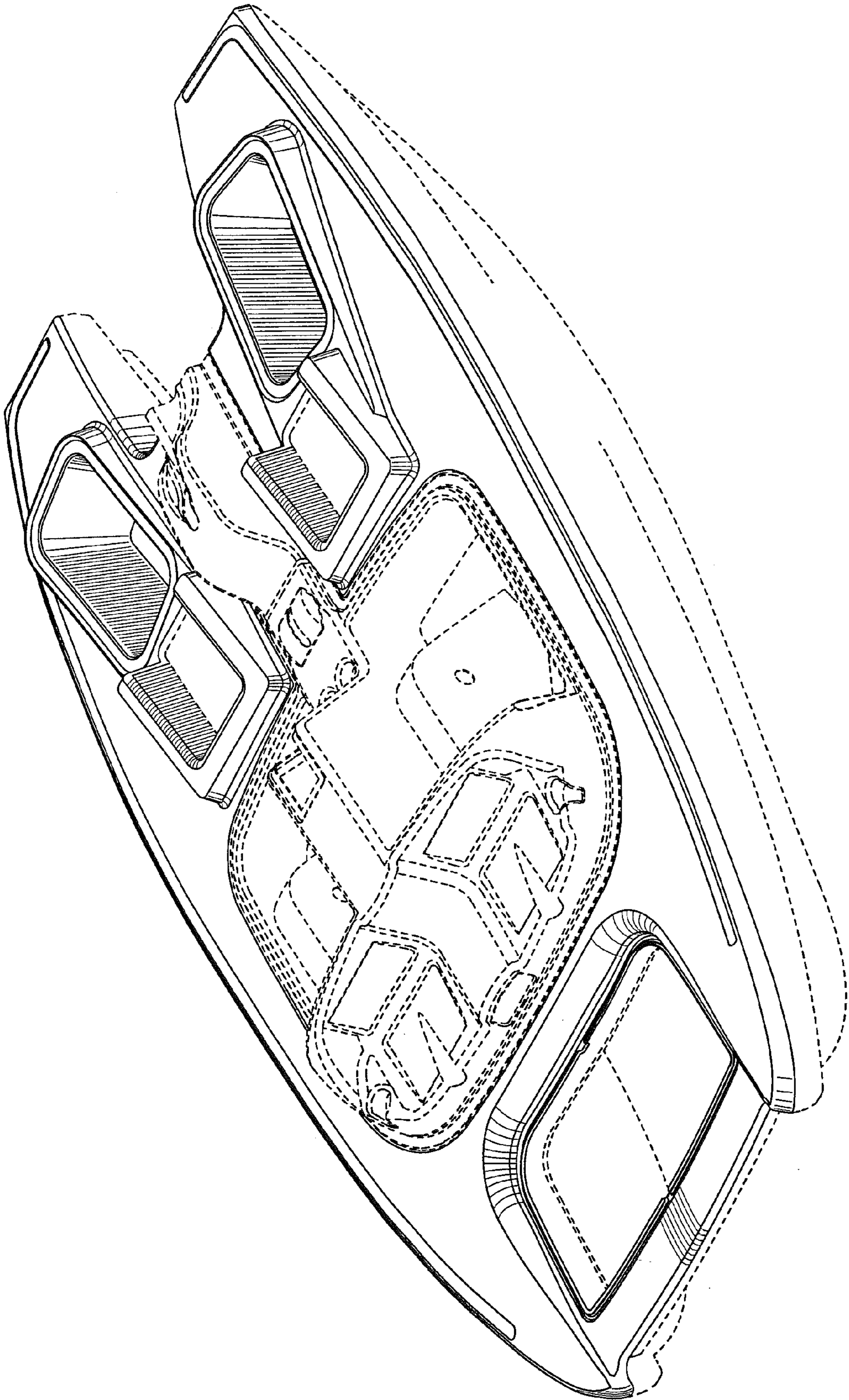


FIG. 1

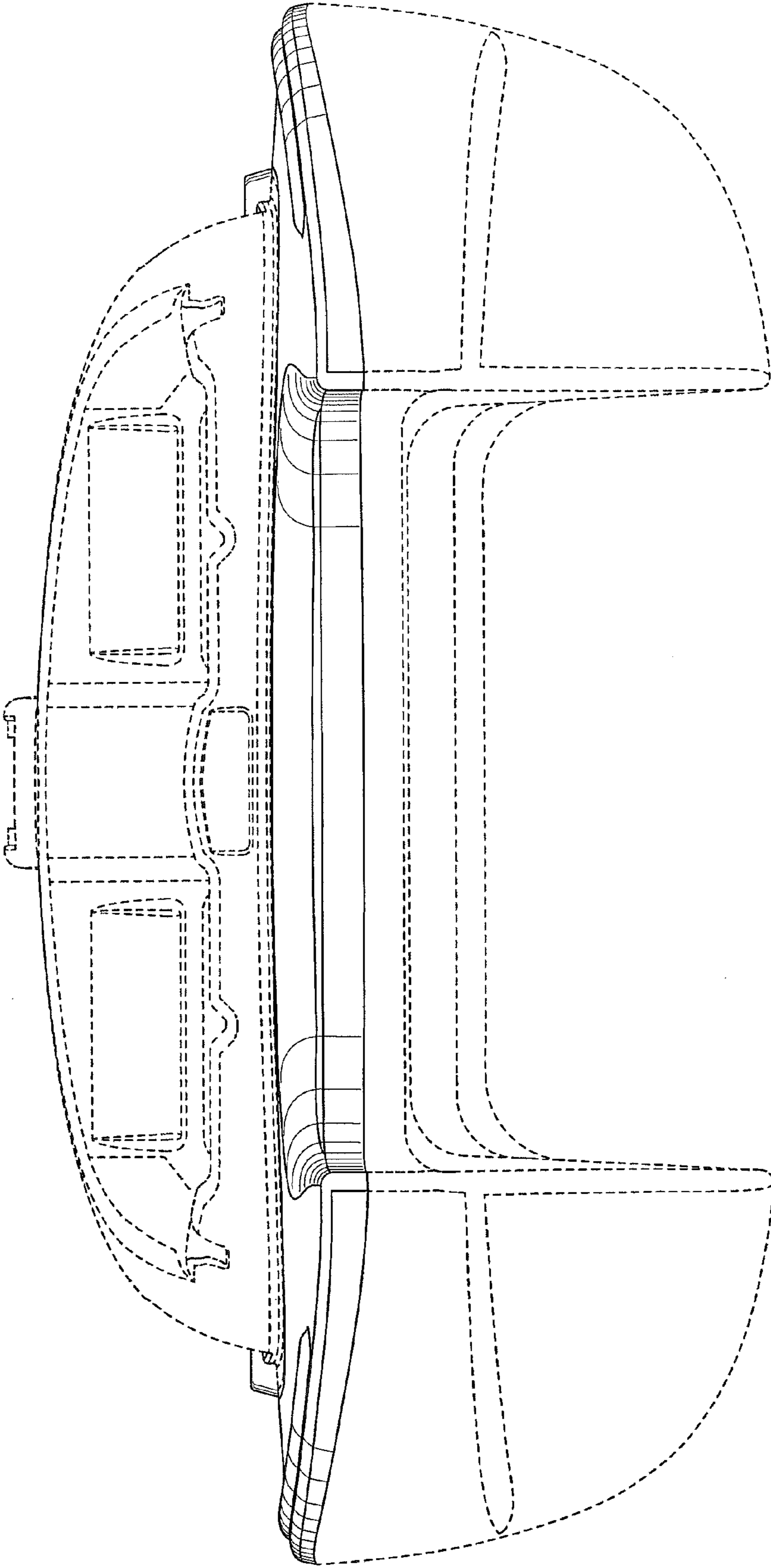


FIG. 2

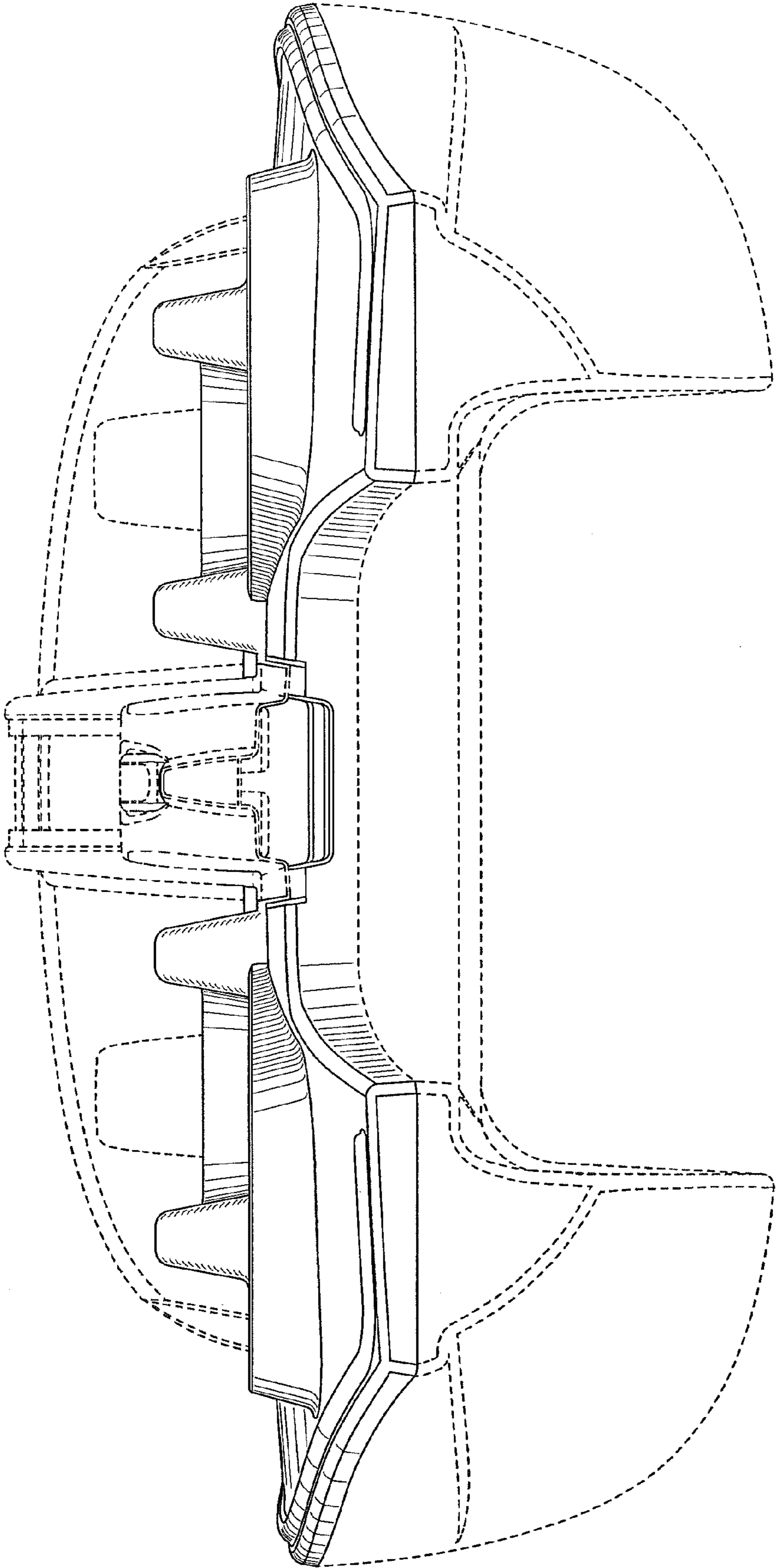


FIG. 3

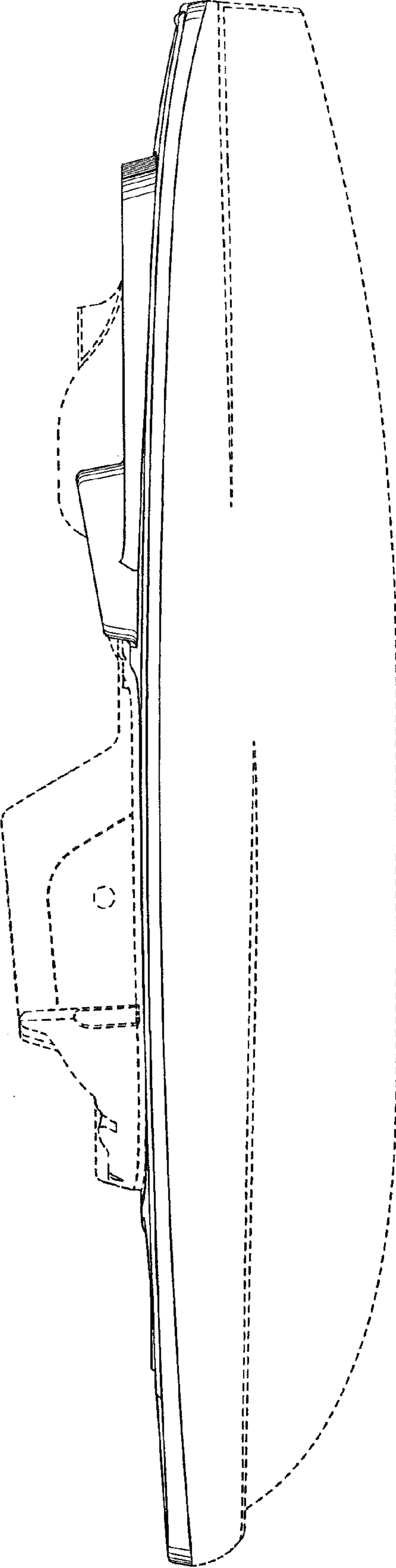


FIG. 4

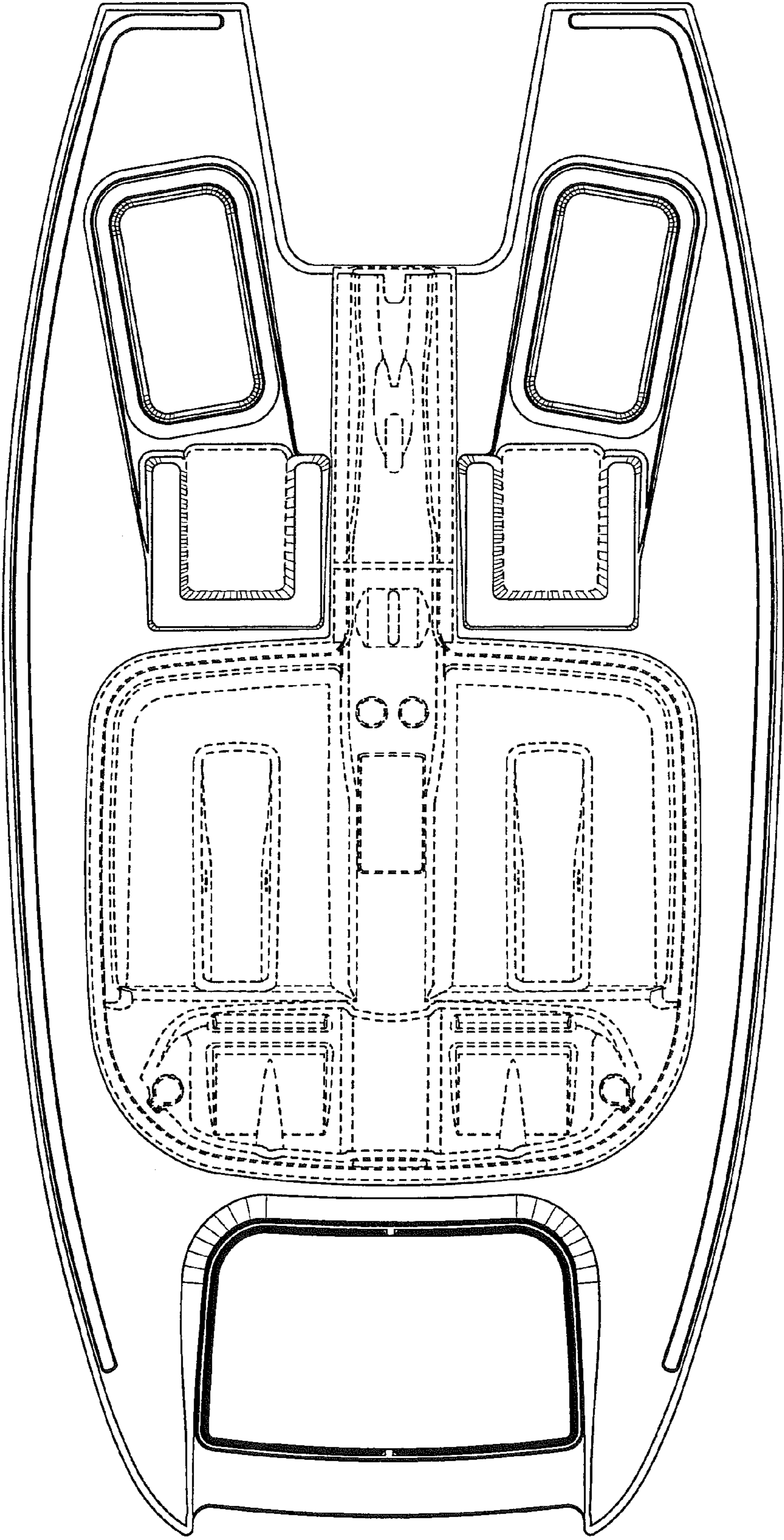


FIG. 5

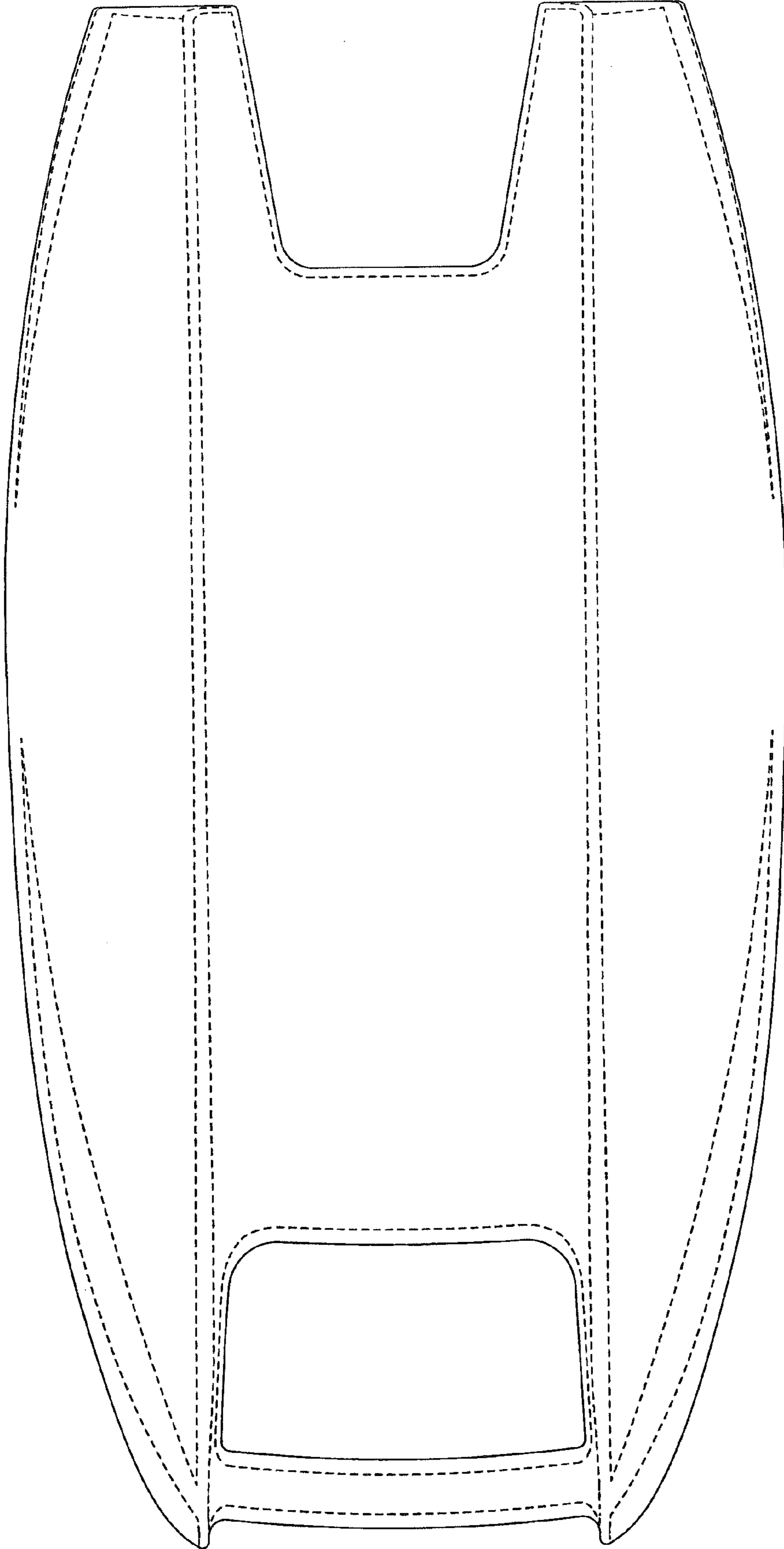


FIG. 6