



US00D662027S

(12) **United States Design Patent**  
**Chien**

(10) **Patent No.:** **US D662,027 S**  
(45) **Date of Patent:** **\*\* Jun. 19, 2012**

(54) **WINDSHIELD WIPER**

(75) Inventor: **Ching Chuan Chien**, Taipei (TW)

(73) Assignee: **Unipoint Electric Mfg. Co., Ltd.**, Taipei (TW)

(\*\*) Term: **14 Years**

(21) Appl. No.: **29/366,663**

(22) Filed: **Jul. 28, 2010**

(51) **LOC (9) Cl.** ..... **12-06**

(52) **U.S. Cl.** ..... **D12/219**

(58) **Field of Classification Search** ..... D12/219-220;  
15/246, 247, 250.001, 250.4, 250.361, 250.19,  
15/250.48, 250.03, 250.31-250.33, 250.351,  
15/250.38, 250.201, 250.451, 250.458, 250.04,  
15/250.07, 250.44

See application file for complete search history.

(56) **References Cited**

U.S. PATENT DOCUMENTS

|              |         |                |       |         |
|--------------|---------|----------------|-------|---------|
| D443,854 S * | 6/2001  | De Block       | ..... | D12/219 |
| D511,735 S * | 11/2005 | Aoyama et al.  | ..... | D12/219 |
| D524,223 S * | 7/2006  | Nakano et al.  | ..... | D12/219 |
| D555,068 S * | 11/2007 | Kim            | ..... | D12/219 |
| D556,115 S * | 11/2007 | Kim            | ..... | D12/219 |
| D556,116 S * | 11/2007 | Kim            | ..... | D12/219 |
| D556,117 S * | 11/2007 | Kim            | ..... | D12/219 |
| D556,667 S * | 12/2007 | Kim            | ..... | D12/219 |
| D568,801 S * | 5/2008  | Machida et al. | ..... | D12/219 |
| D571,705 S * | 6/2008  | Machida et al. | ..... | D12/219 |

\* cited by examiner

*Primary Examiner* — Caron D Veynar  
*Assistant Examiner* — Katrina A Betton  
(74) *Attorney, Agent, or Firm* — Rabin & Berdo, P.C.

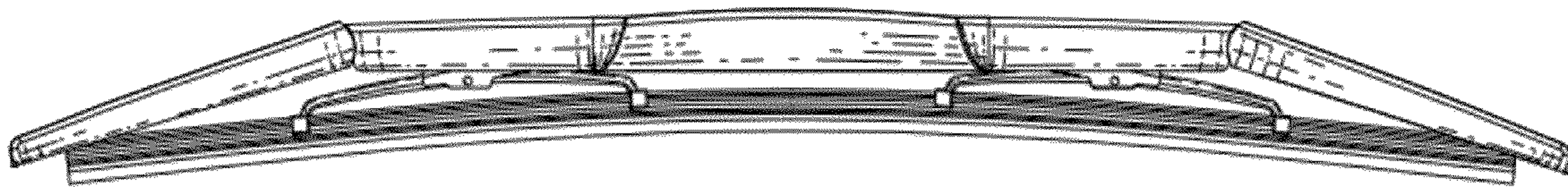
(57) **CLAIM**

The ornamental design for a windshield wiper, as shown and described.

**DESCRIPTION**

FIG. 1 is a perspective view of a windshield wiper, showing our new design;  
FIG. 2 is a front view thereof;  
FIG. 3 is a rear view thereof;  
FIG. 4 is a left side view thereof;  
FIG. 5 is a right side view thereof;  
FIG. 6 is a top plan view thereof;  
FIG. 7 is a bottom plan view thereof;  
FIG. 8 is a demonstration of the secondary case covering the piece of the windshield wiper;  
FIG. 9 is a demonstration of the assembling of the windshield wiper;  
FIG. 10 is a demonstration of the main case of the windshield wiper  
FIG. 11 is a demonstration of the main case of the windshield wiper with an alternate connector; and,  
FIG. 12 is a demonstration of the main case of the windshield wiper with another alternate connector.  
In the drawings, the broken lines in FIGS. 11 and 12 depict portions of the article that form no part of the claim.

**1 Claim, 10 Drawing Sheets**



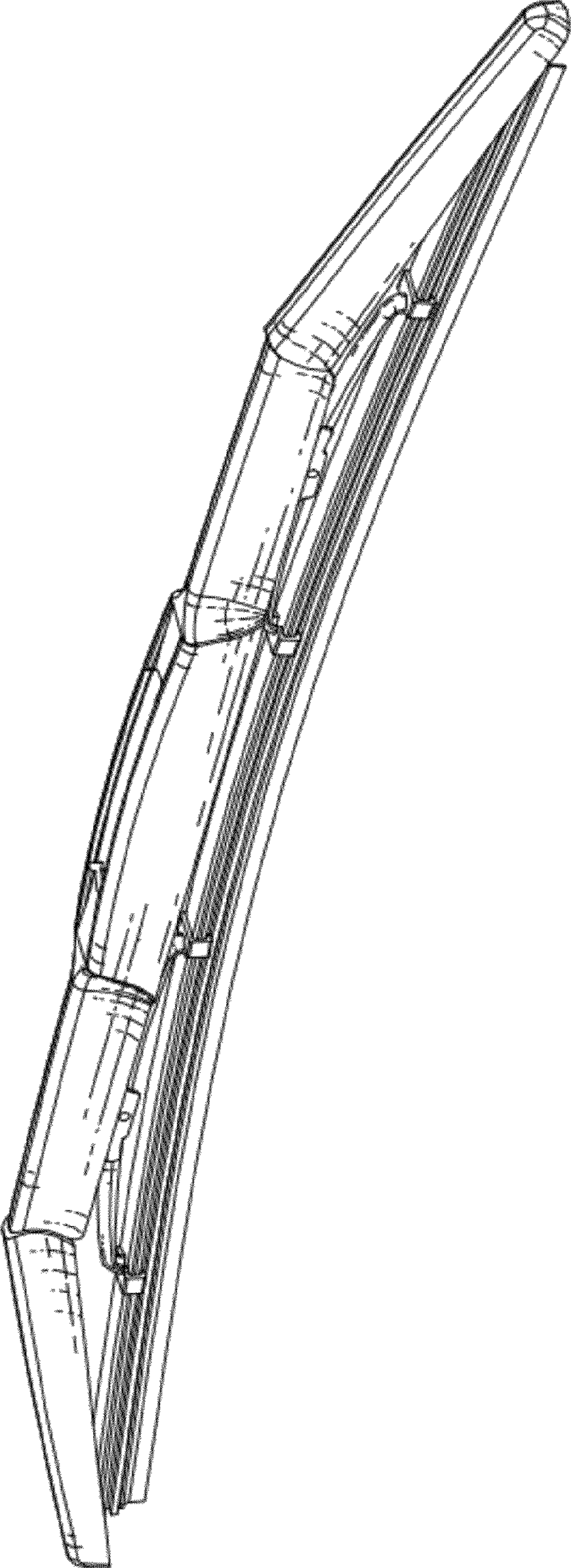


FIG. 1

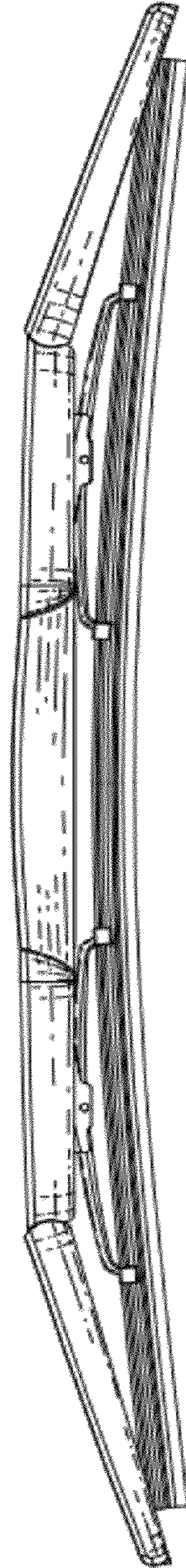


FIG. 2

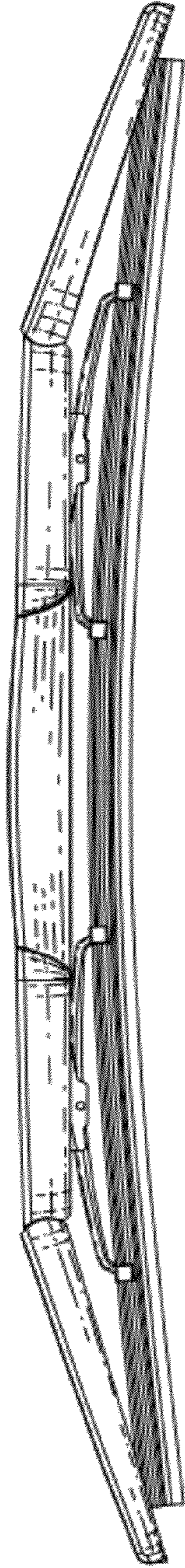


FIG. 3

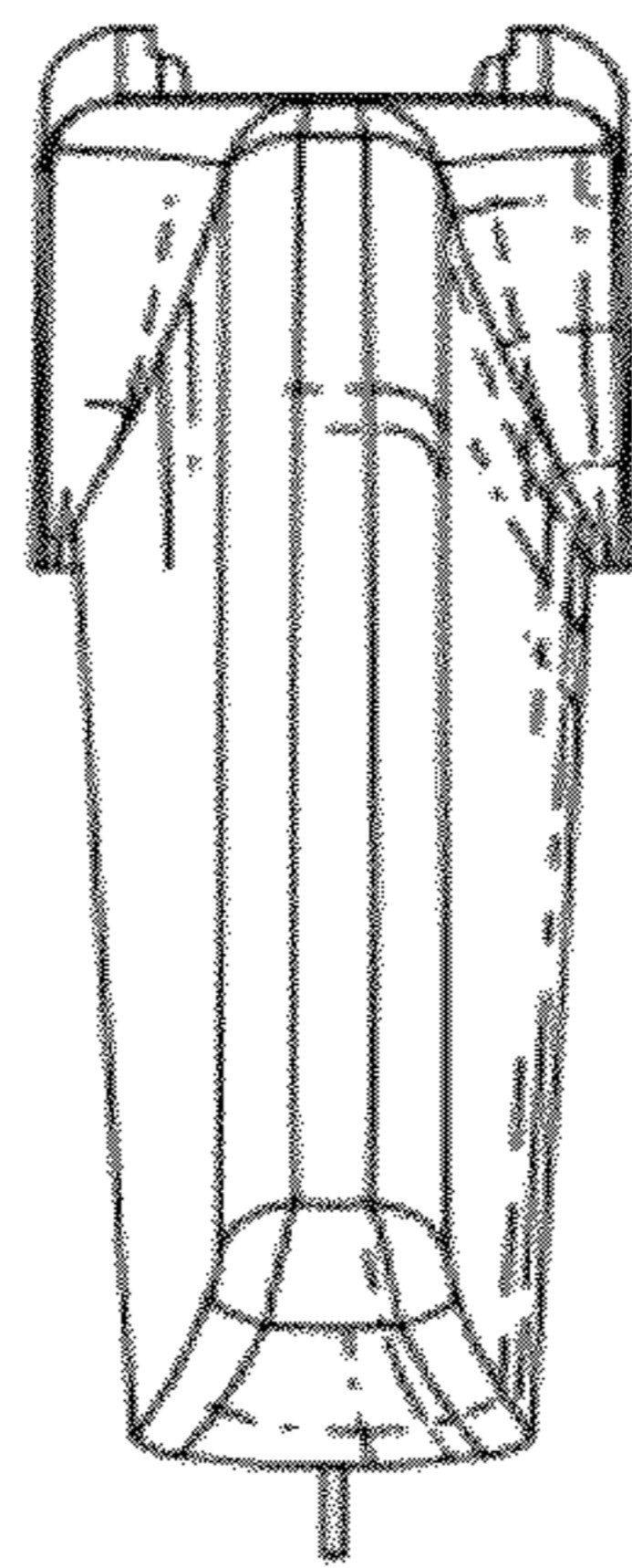


FIG. 4

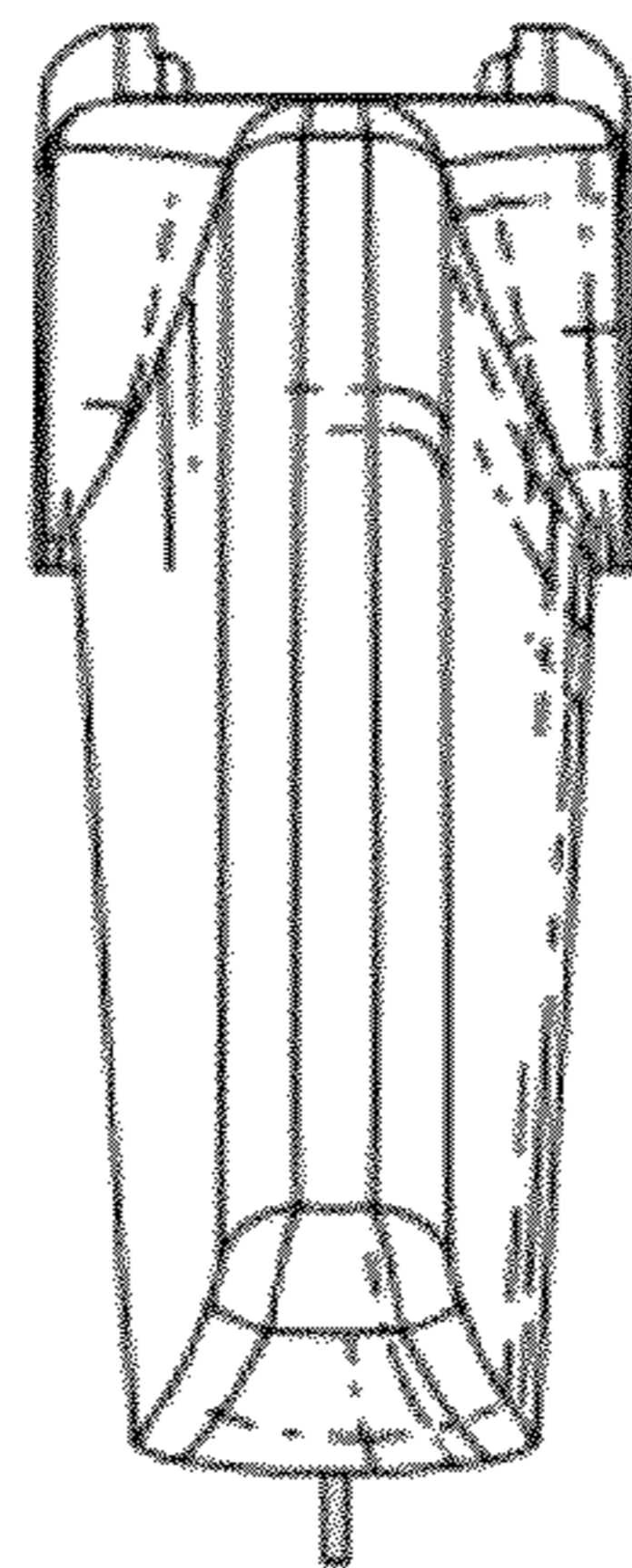


FIG. 5



FIG. 6



FIG. 7



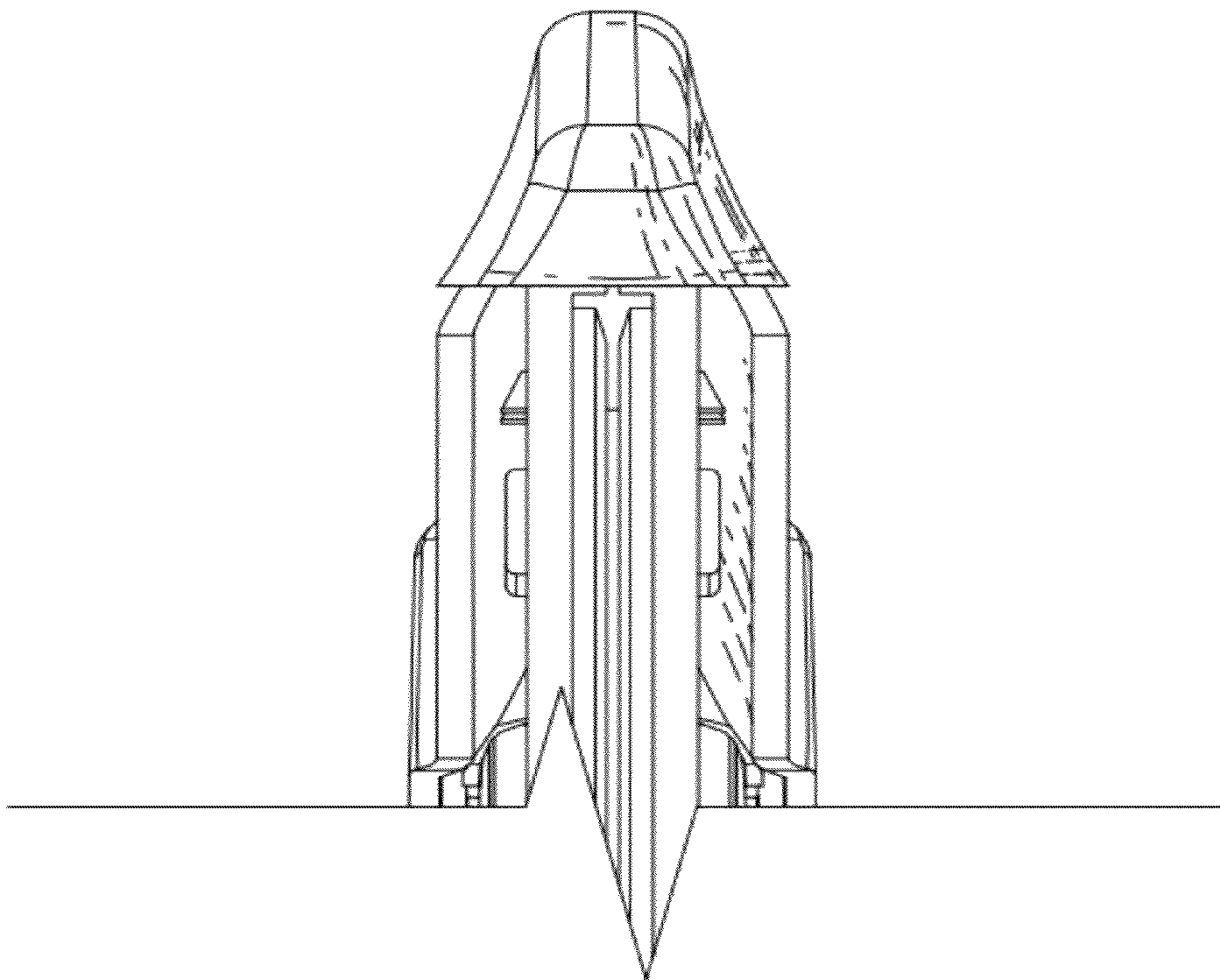


FIG. 8

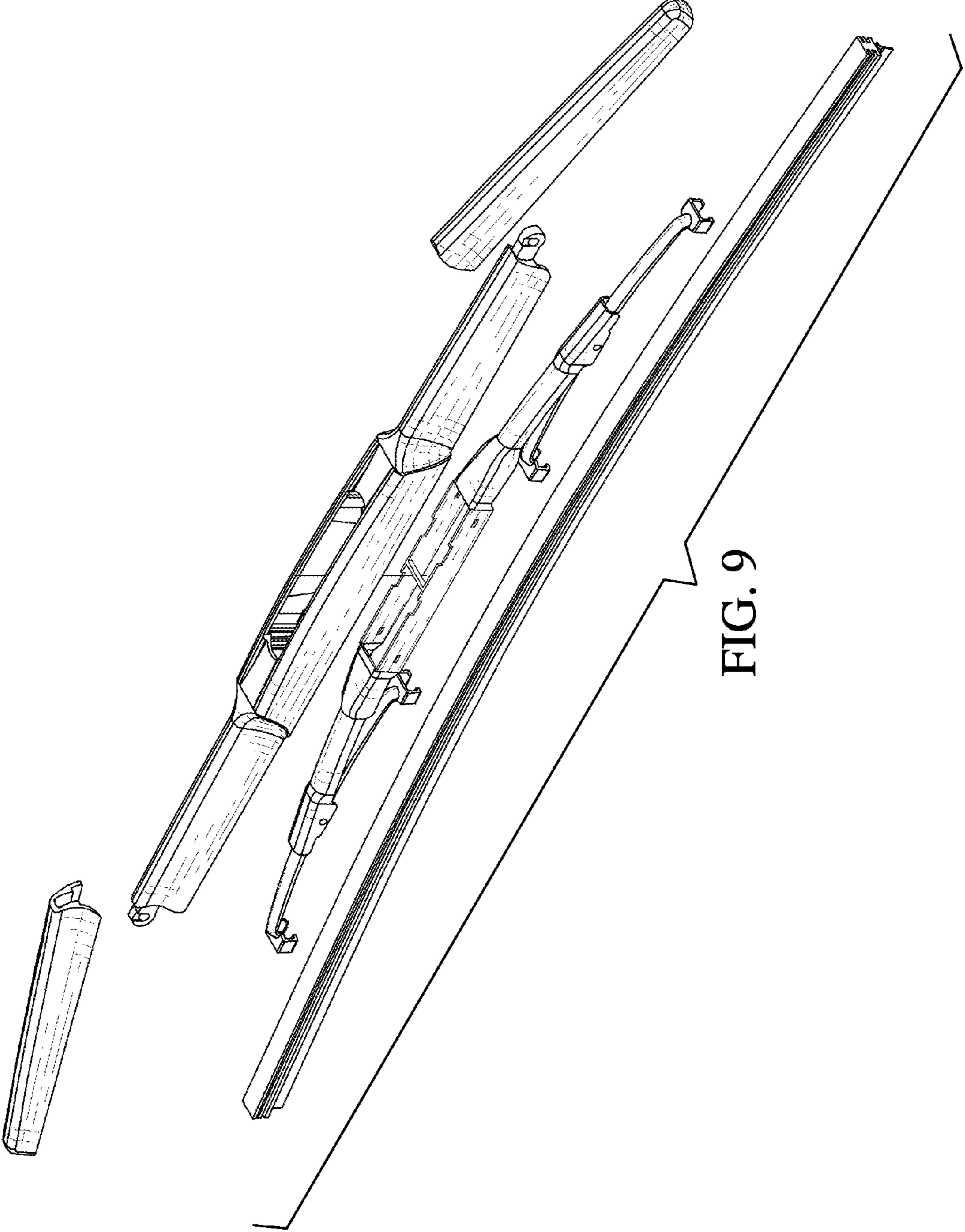


FIG. 9

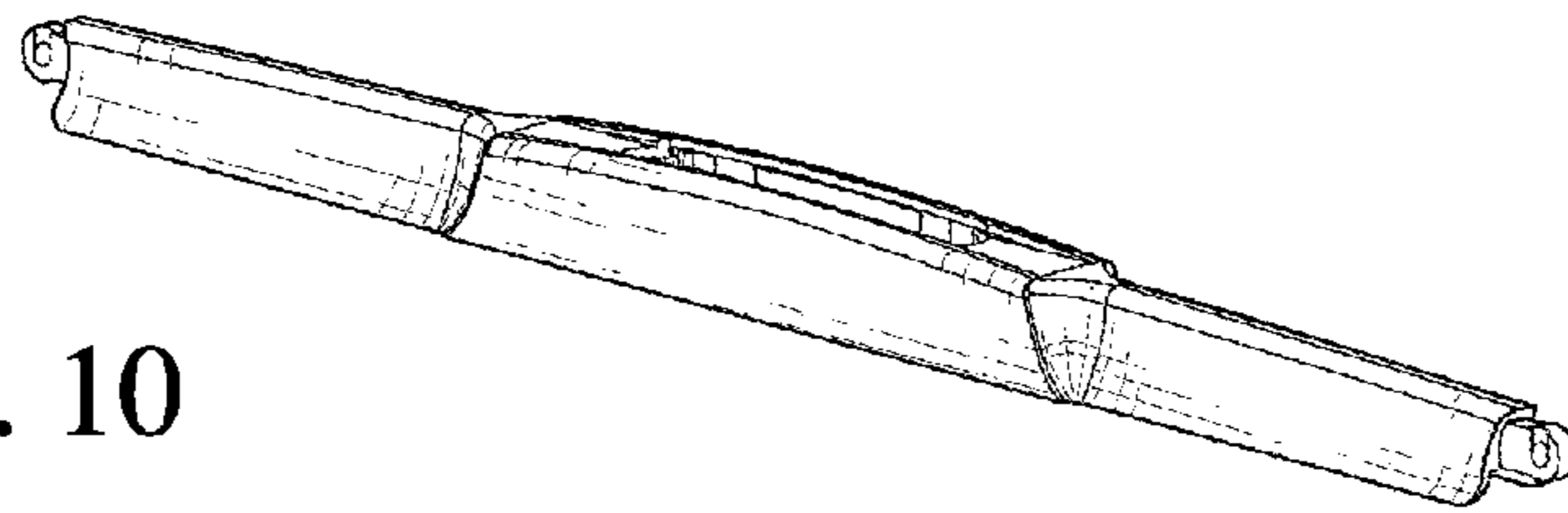


FIG. 10

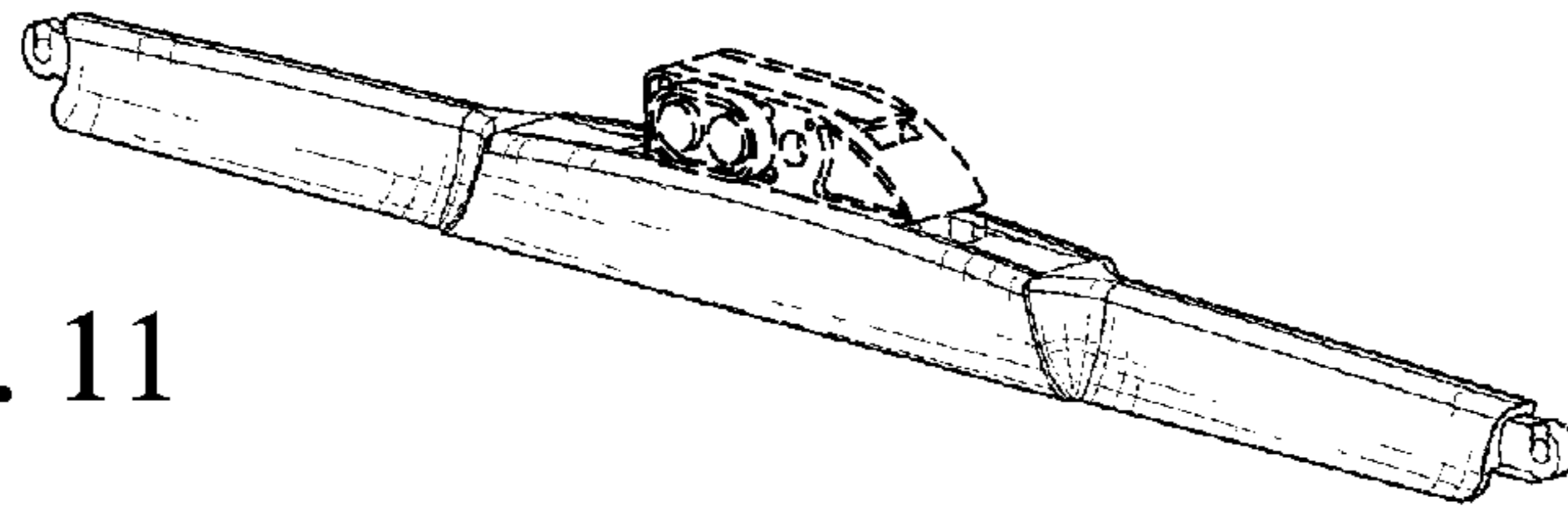


FIG. 11

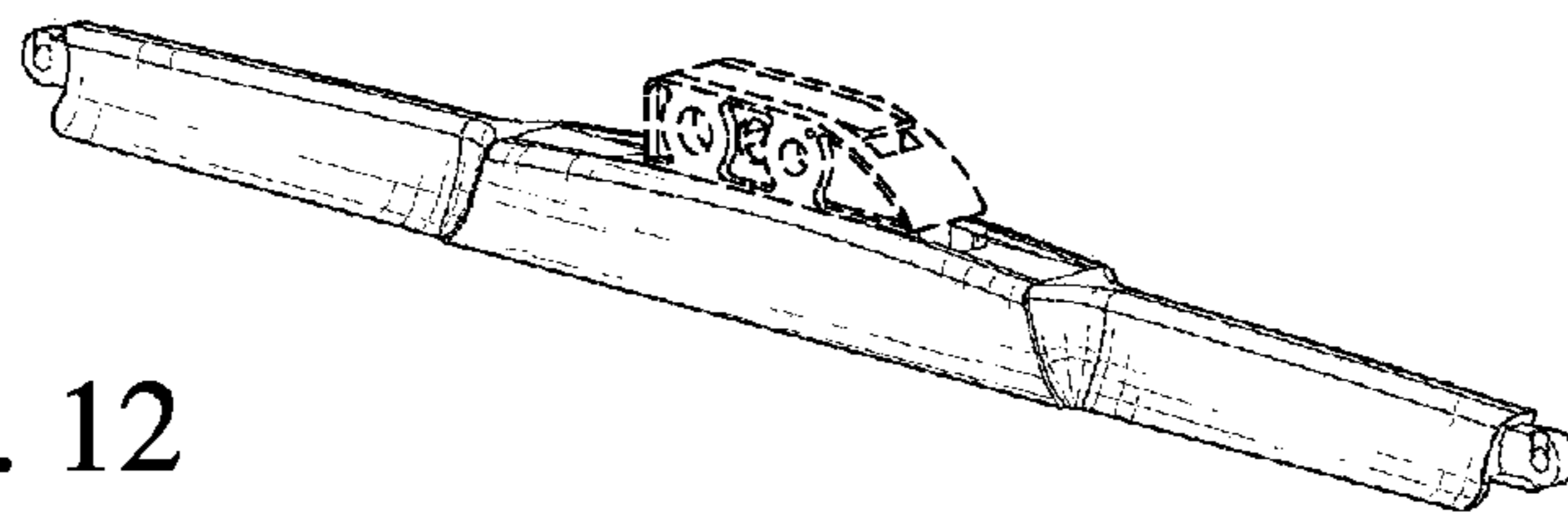


FIG. 12