



US00D662026S

(12) **United States Design Patent**  
**Beranek et al.**

(10) **Patent No.:** **US D662,026 S**

(45) **Date of Patent:** **\*\* \*Jun. 19, 2012**

(54) **CHOCK**

(56) **References Cited**

(75) Inventors: **Richard J. Beranek**, Maple Park, IL (US); **Terry J. Koehn**, Geneva, IL (US); **Michael P. Molitor**, North Aurora, IL (US); **Kevin Stanger**, Belvidere, IL (US); **Edward H. Hahn**, Carol Stream, IL (US)

U.S. PATENT DOCUMENTS

D180,922	S	*	9/1957	Zikmund .....	D12/217
D215,325	S	*	9/1969	Merlo .....	D12/217
D236,612	S	*	9/1975	Wetzel .....	D12/217
4,502,816	A	*	3/1985	Creter et al. ....	D12/217
D298,823	S	*	12/1988	Zutler .....	D12/217
D316,243	S	*	4/1991	Henry .....	D12/217
D326,254	S	*	5/1992	Ziaylek et al. ....	D12/217
D493,408	S	*	7/2004	Chrisco et al. ....	D12/217
D577,651	S	*	9/2008	Shaw .....	D12/217
D594,398	S	*	6/2009	Tai .....	D12/217
D644,159	S	*	8/2011	Marcum .....	D12/217

(73) Assignee: **Miner Elastomer Products Corporation**, Geneva, IL (US)

\* cited by examiner

(\* ) Notice: This patent is subject to a terminal disclaimer.

*Primary Examiner* — Stacia Cadmus

(\*\*) Term: **14 Years**

(74) *Attorney, Agent, or Firm* — Law Office of John W. Harbst

(21) Appl. No.: **29/374,551**

(57) **CLAIM**

The ornamental design for a chock, as shown and described.

(22) Filed: **Aug. 31, 2011**

**DESCRIPTION**

(51) **LOC (9) Cl.** ..... **12-06**

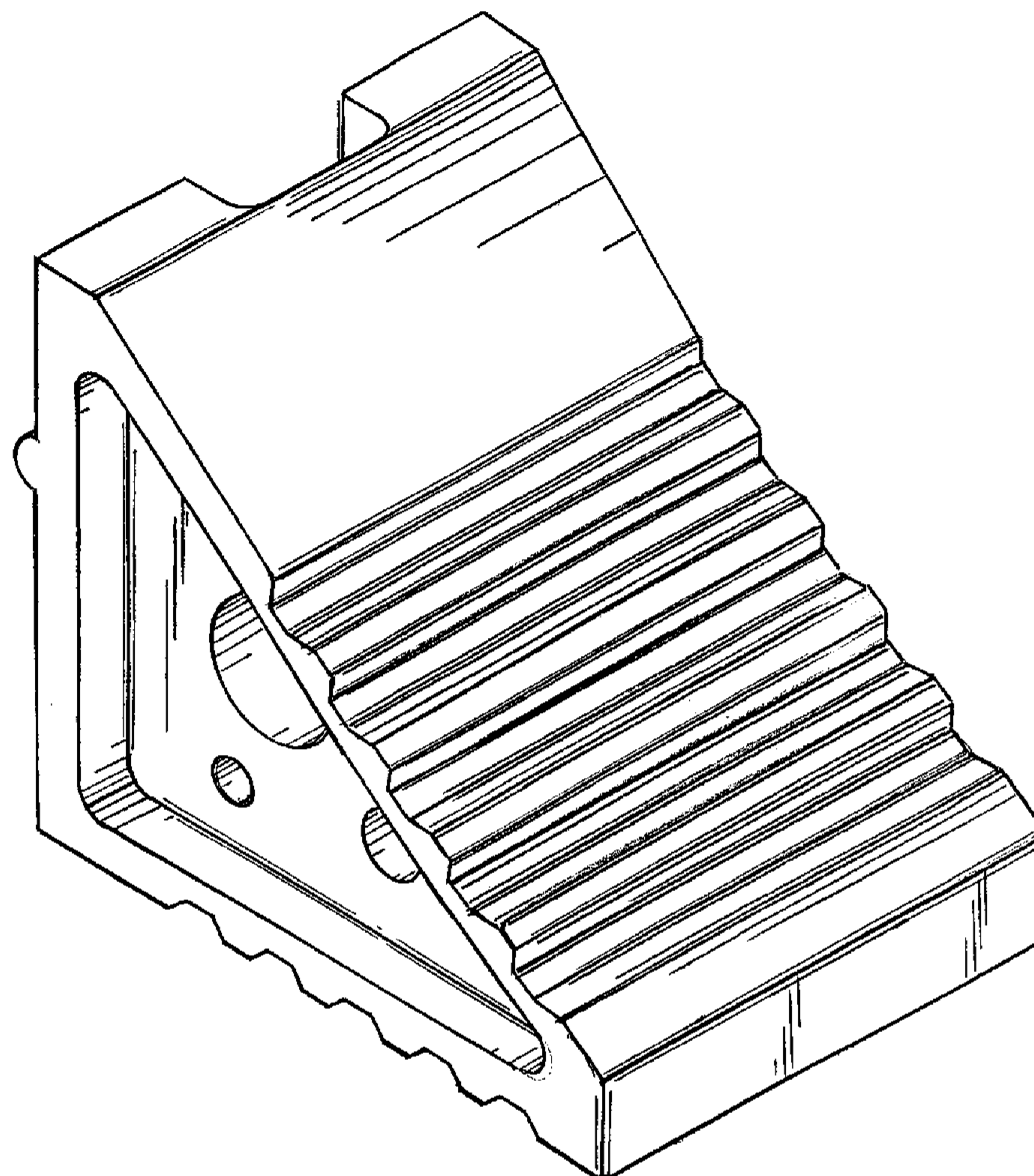
(52) **U.S. Cl.** ..... **D12/217**

(58) **Field of Classification Search** ..... D12/217,  
D12/203, 400, 120, 180, 114; 14/69.5, 71.5;  
280/293, 507; 267/139-140; 410/30, 49,  
410/9; 211/20; 188/5, 32, 36, 4 R; 186/32,  
186/52; 248/346, 352, 221.12, 222.41, 222.51

FIG. 1 is a upper and left side perspective view of a chock showing our new design;  
FIG. 2 is side elevational view thereof;  
FIG. 3 is a front elevational view thereof;  
FIG. 4 is a rear elevational view thereof;  
FIG. 5 is a top plan view thereof; and,  
FIG. 6 is a bottom plan view thereof.

See application file for complete search history.

**1 Claim, 3 Drawing Sheets**



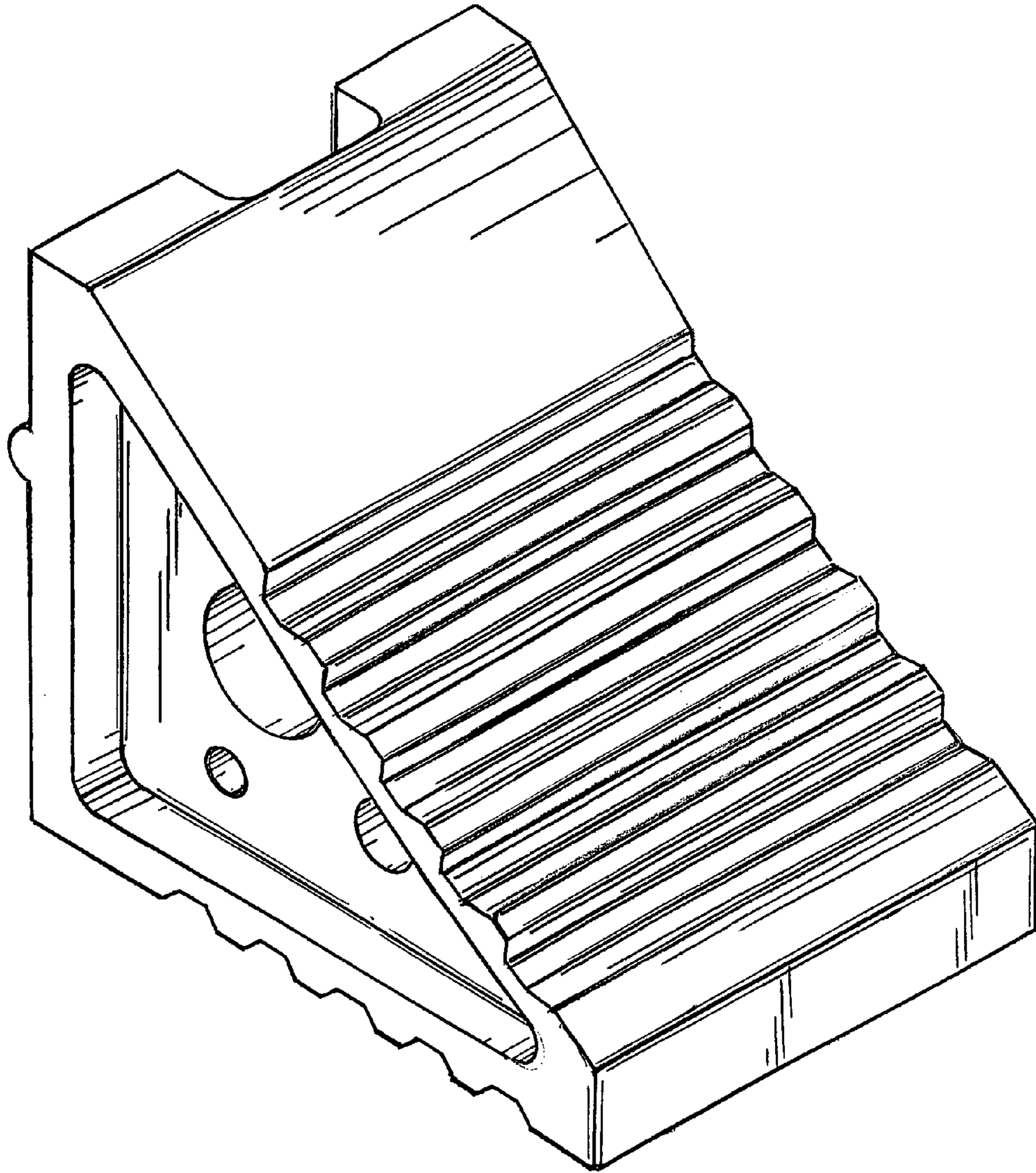


FIG. 1

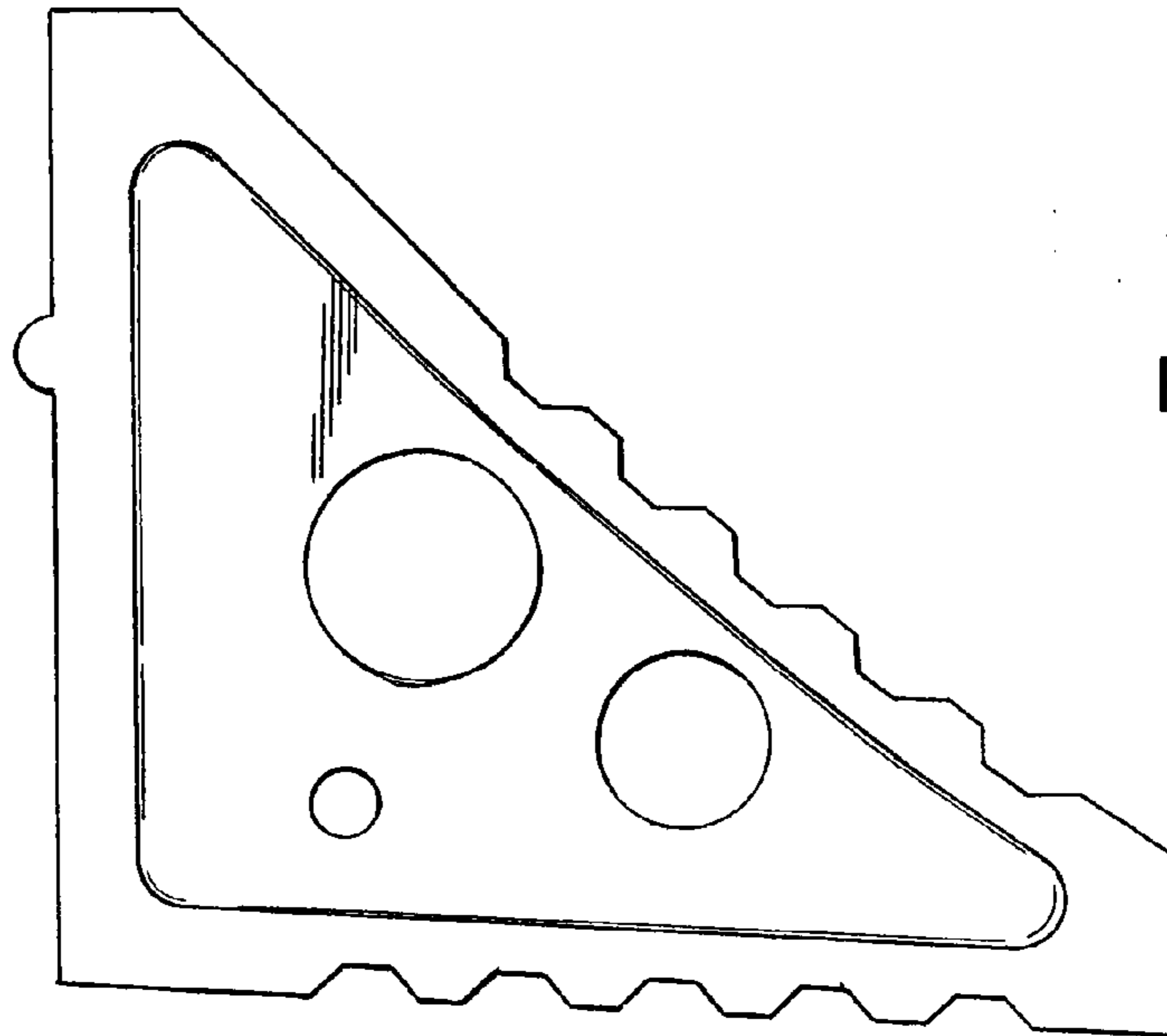


FIG. 2

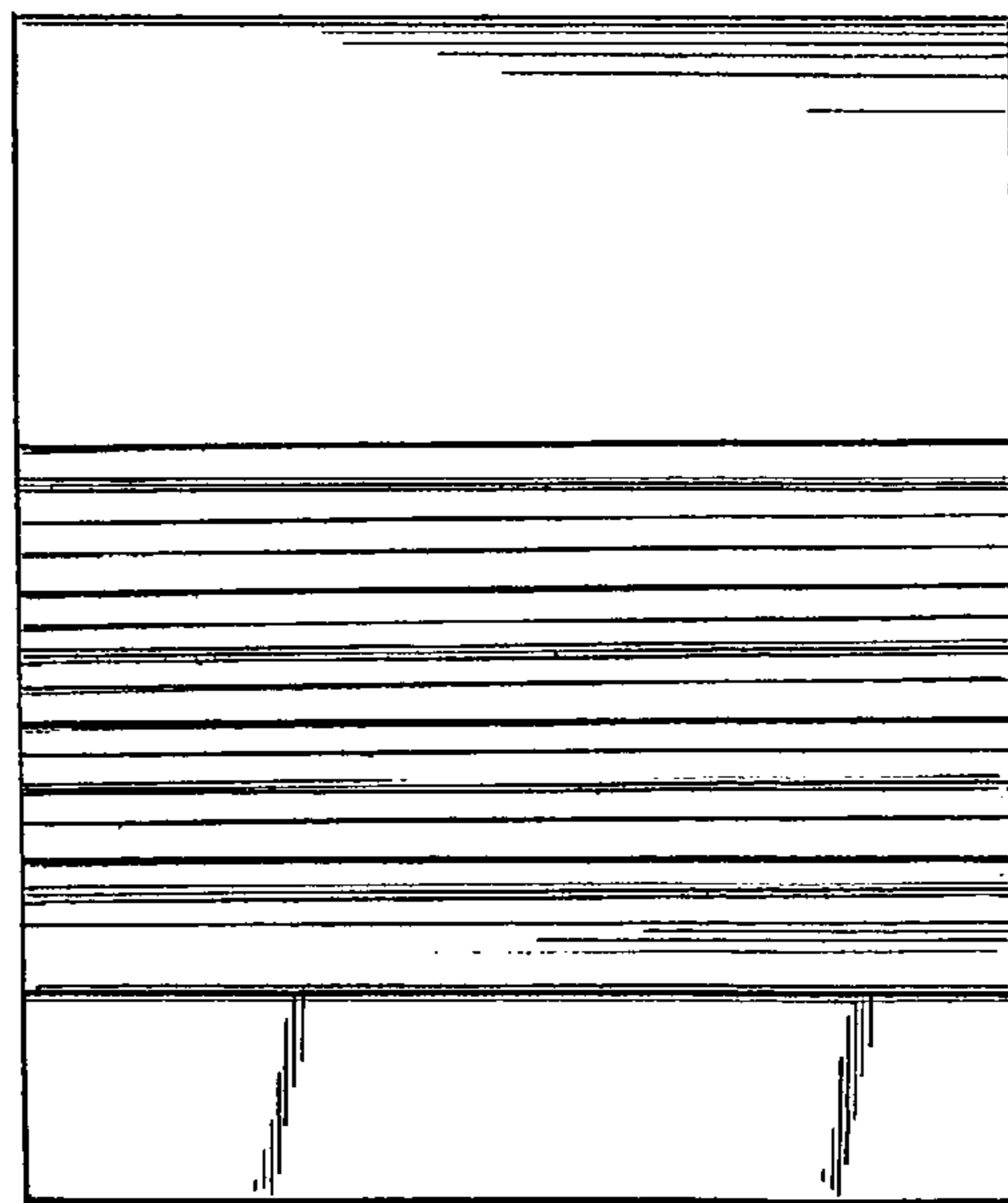


FIG. 3

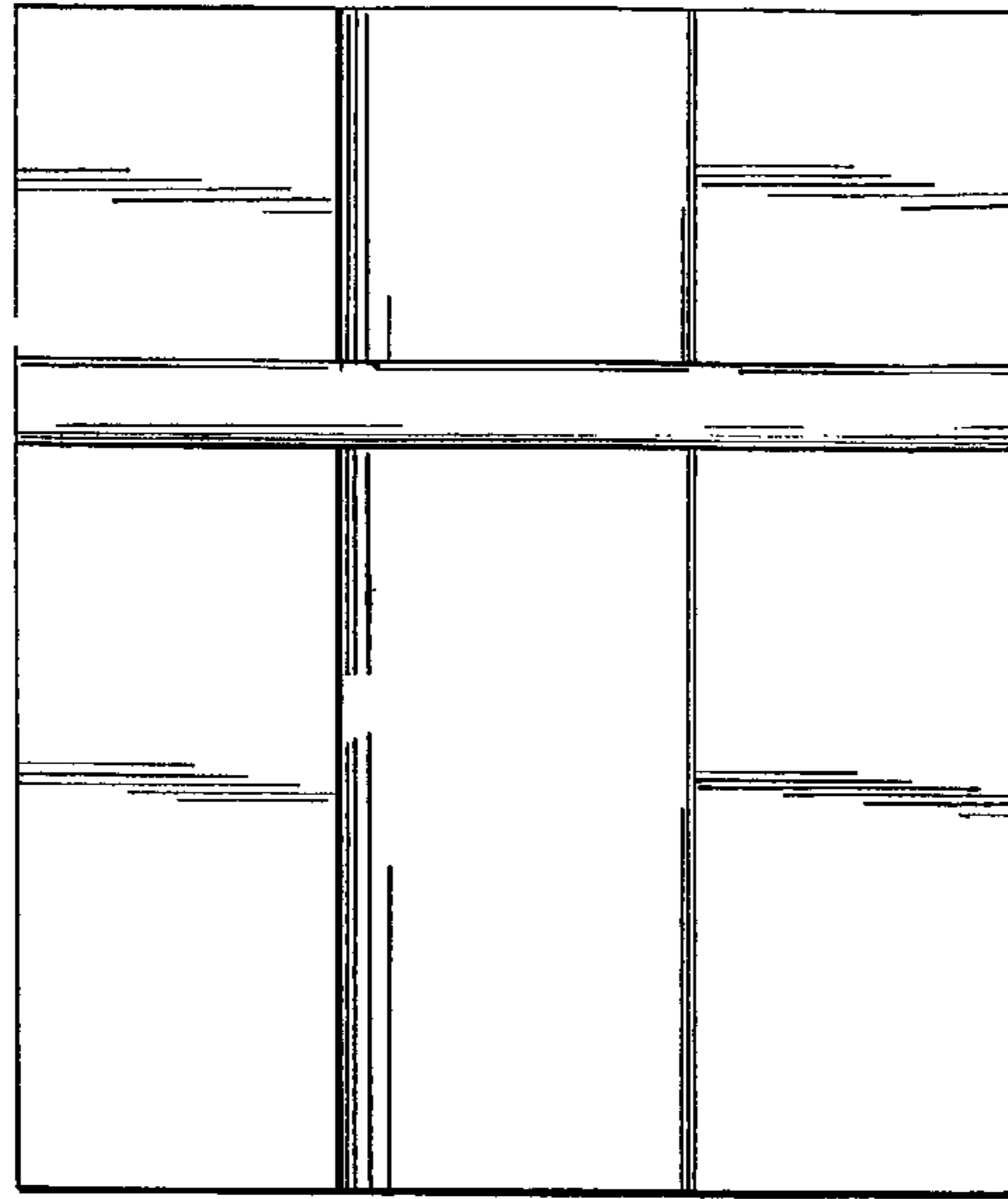


FIG. 4

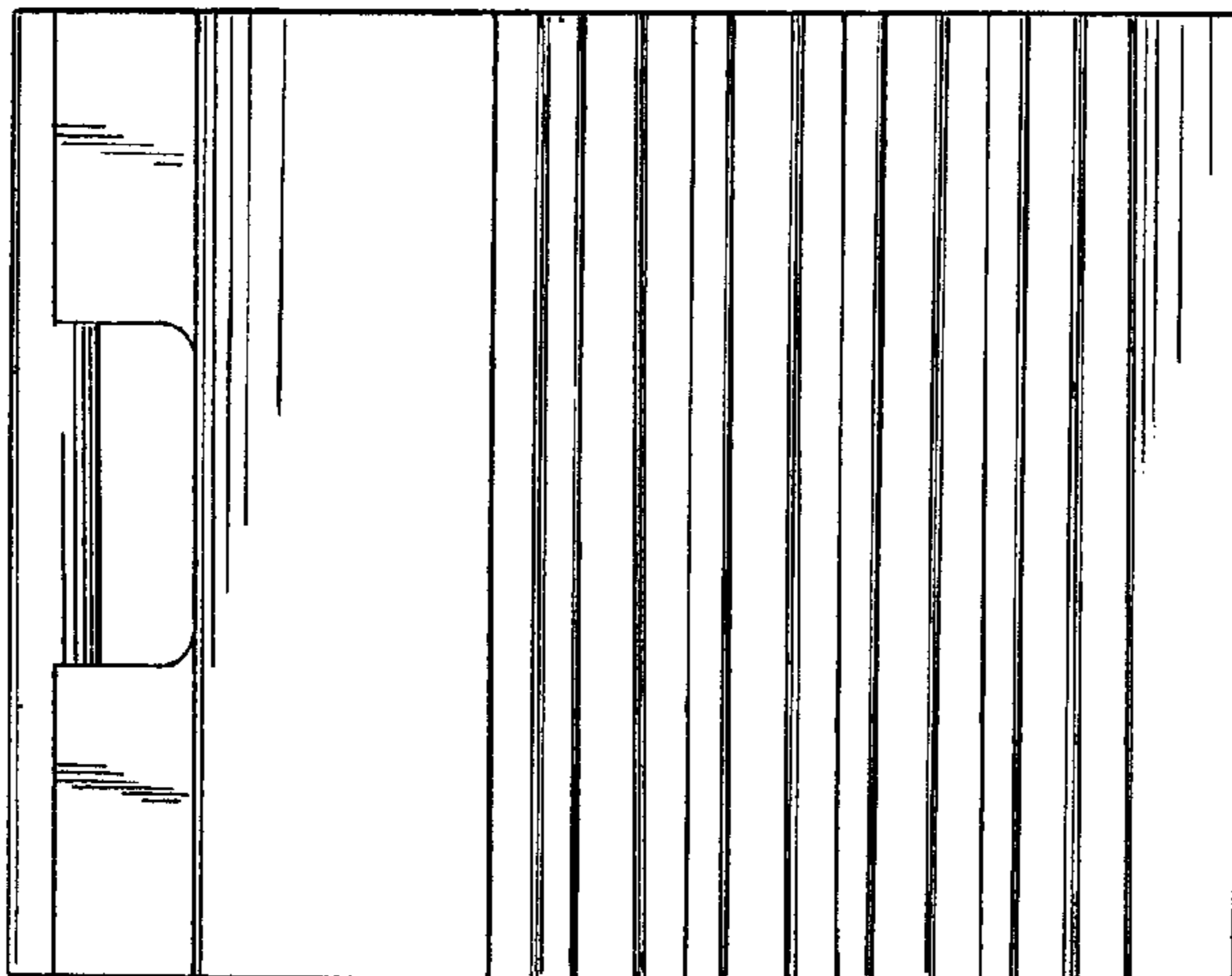


FIG. 5

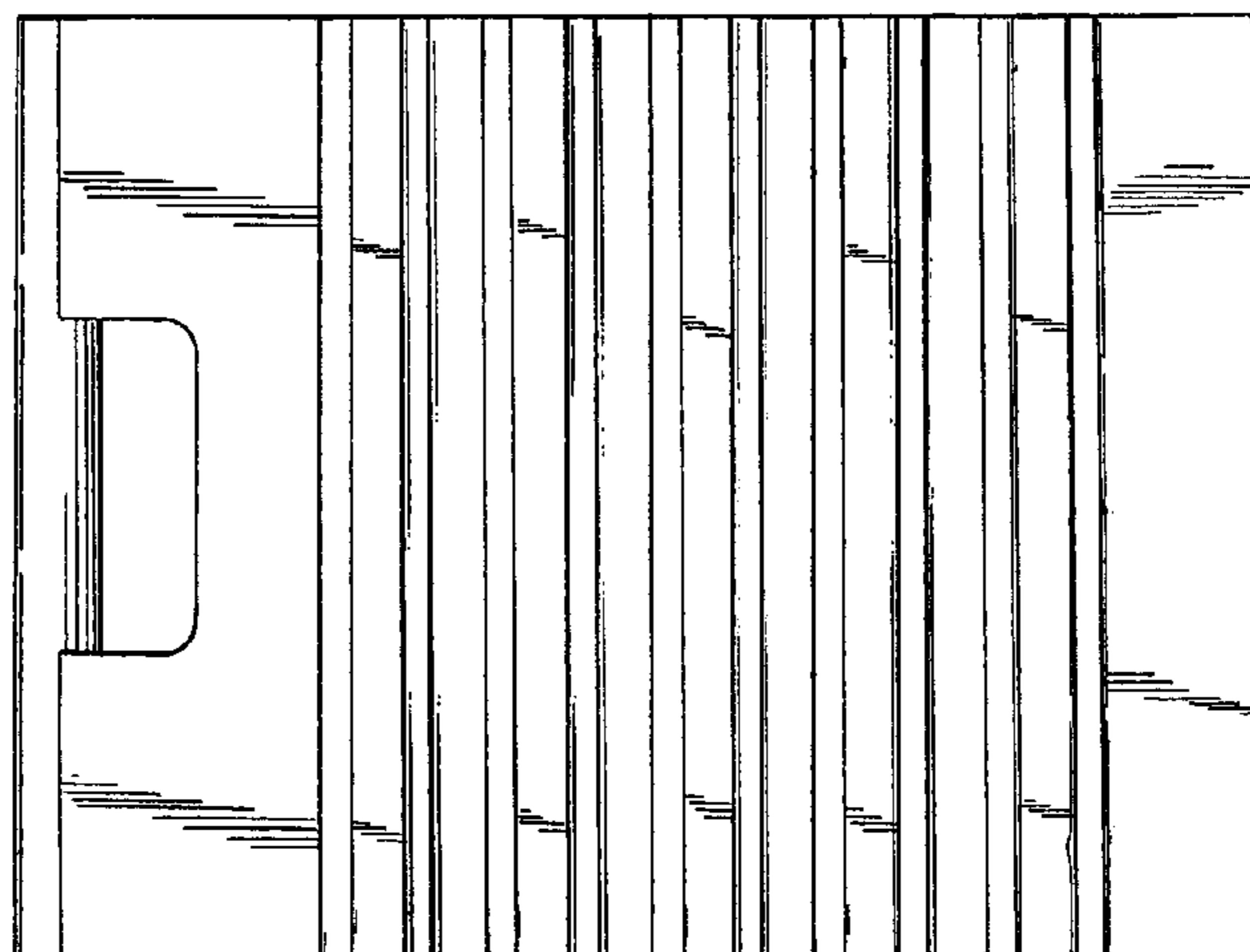


FIG. 6