

US00D662012S

(12) **United States Design Patent**
Gugino

(10) **Patent No.:** **US D662,012 S**
(45) **Date of Patent:** **** Jun. 19, 2012**

(54) **HITCH COVER**

(76) Inventor: **Gary L. Gugino**, Williamsville, NY
(US)

(**) Term: **14 Years**

(21) Appl. No.: **29/391,469**

(22) Filed: **May 9, 2011**

(51) **LOC (9) Cl.** **12-16**

(52) **U.S. Cl.** **D12/162**

(58) **Field of Classification Search** D12/159,
D12/160, 161, 162; 56/DIG. 14; 37/399;
280/406.2, 407, 407.1, 408, 411.1, 416.1,
280/416.2, 416.3, 418, 418.1, 433, 434, 435,
280/441.1, 441.2, 455.1, 456.1, 480, 493,
280/504, 508; 224/42.11, 42.12, 42.14, 42.26,
224/400, 401, 412, 413, 488, 494, 500-501
See application file for complete search history.

(56) **References Cited**

U.S. PATENT DOCUMENTS

D35,157 S *	10/1901	Simmons	D23/234
923,545 A	6/1909	Madison		
1,021,203 A	3/1912	Matchette		
D58,630 S	8/1921	Ruckman		
2,399,040 A	4/1946	Karle		
D144,912 S	6/1946	Derham		
2,440,149 A	4/1948	McGinnis		
2,446,155 A	7/1948	Karle		
3,393,824 A	7/1968	Appleton		
4,948,179 A	8/1990	Kulikowski et al.		

D469,851 S *	2/2003	Winnie	D23/234
D503,667 S	4/2005	Keefer et al.		
D585,348 S	1/2009	Yan et al.		

* cited by examiner

Primary Examiner — Michael A Pratt

(74) *Attorney, Agent, or Firm* — Damon Morey LLP; David L. Principe

(57) **CLAIM**

The ornamental design for a hitch cover, as shown and described.

DESCRIPTION

FIG. 1 is a front perspective view of a first embodiment of the hitch cover showing my new design;
FIG. 2 is a top plan view thereof;
FIG. 3 is a bottom plan view thereof;
FIG. 4 is a left-hand side elevational view thereof;
FIG. 5 is a right-hand side elevational view thereof;
FIG. 6 is a front elevational view thereof;
FIG. 7 is a rear elevational view thereof;
FIG. 8 is a front perspective view of a second embodiment of the invention;
FIG. 9 is a top plan view thereof;
FIG. 10 is a bottom plan view thereof;
FIG. 11 is a left-hand side elevational view thereof;
FIG. 12 is a right-hand side elevational view thereof;
FIG. 13 is a front elevational view thereof, and;
FIG. 14 is a rear elevational view thereof.
The broken lines in FIGS. 1-14 depict environmental subject matter and form no part of the claimed design.

1 Claim, 4 Drawing Sheets

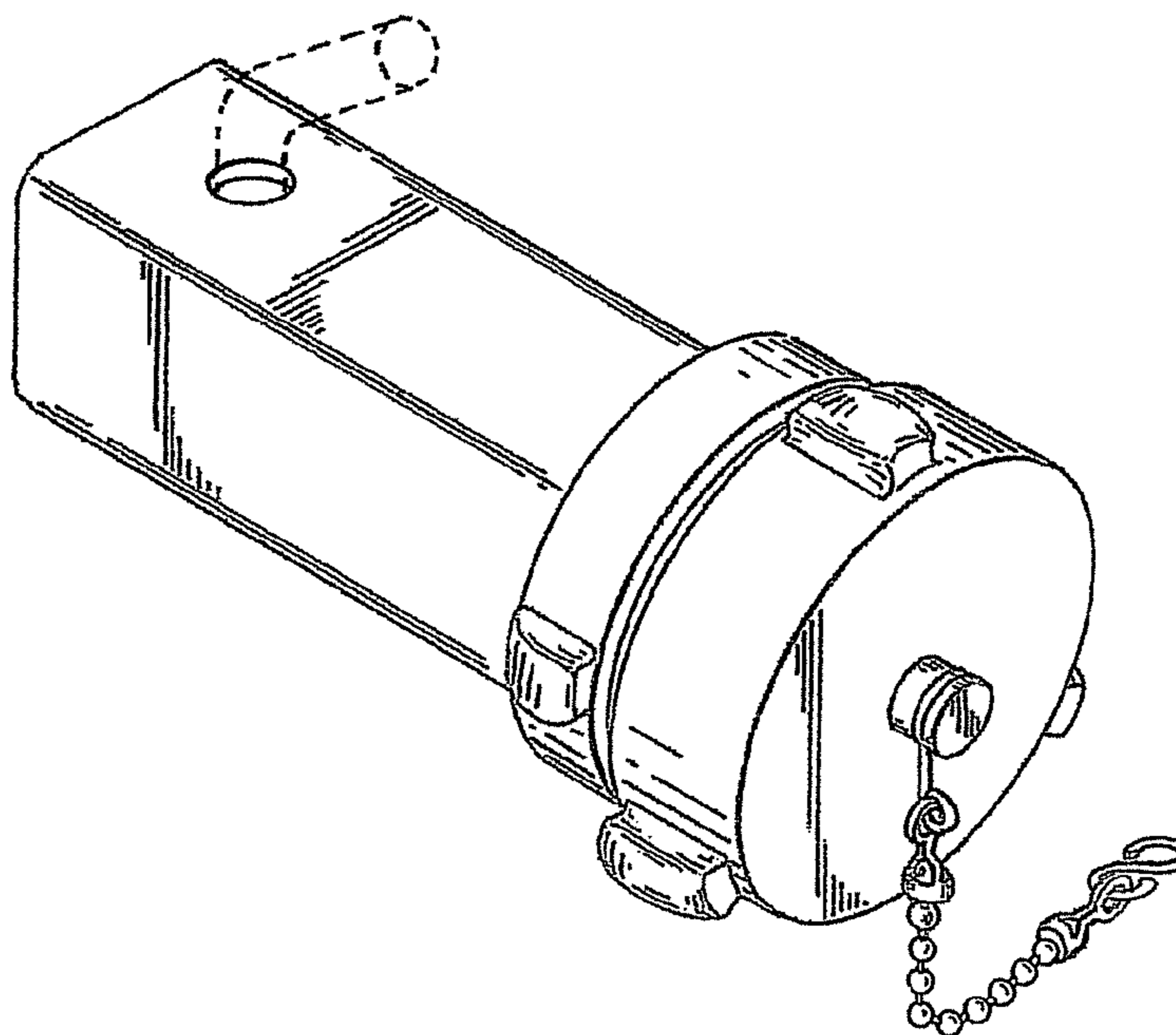


FIG. 1

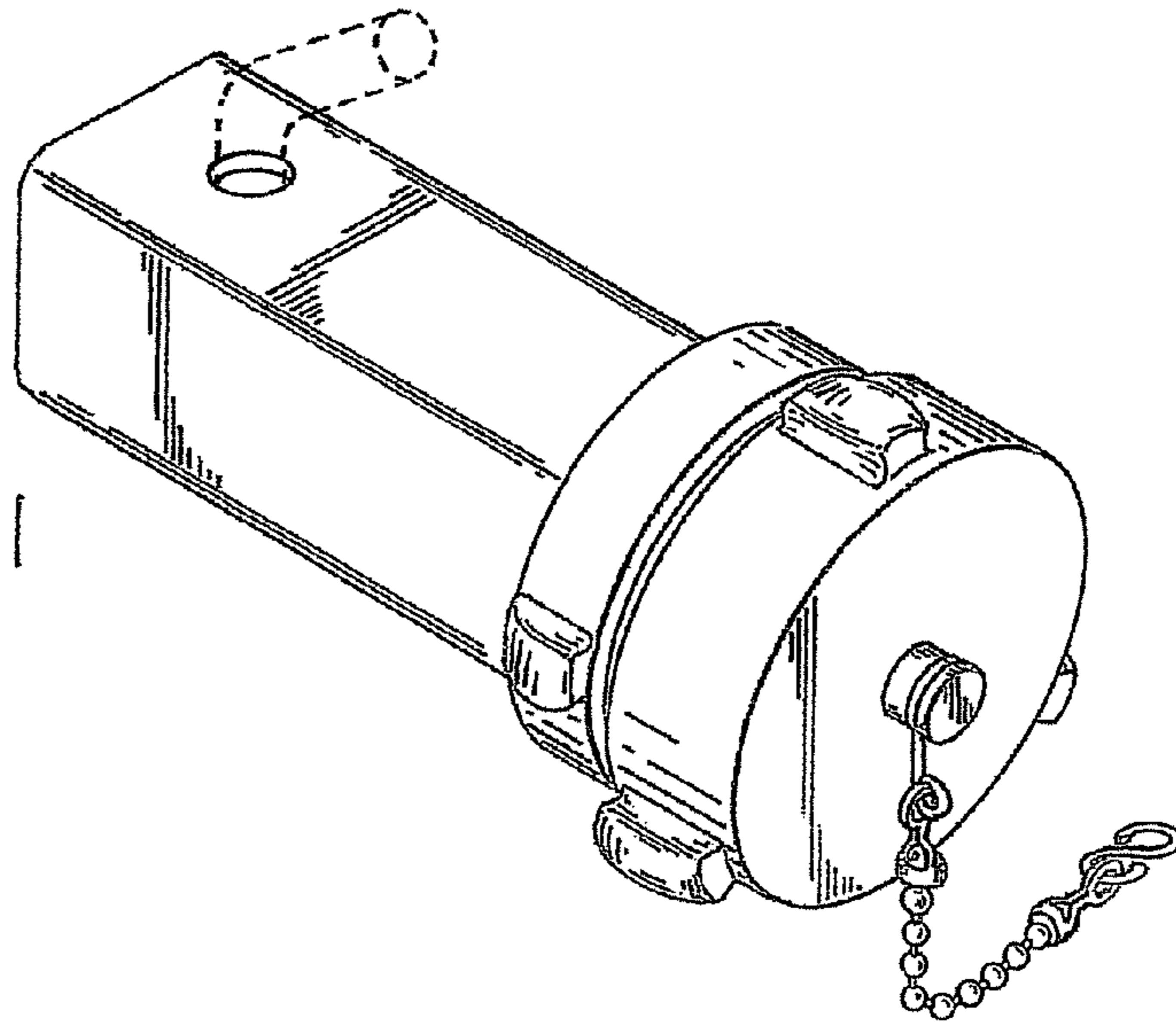


FIG. 2

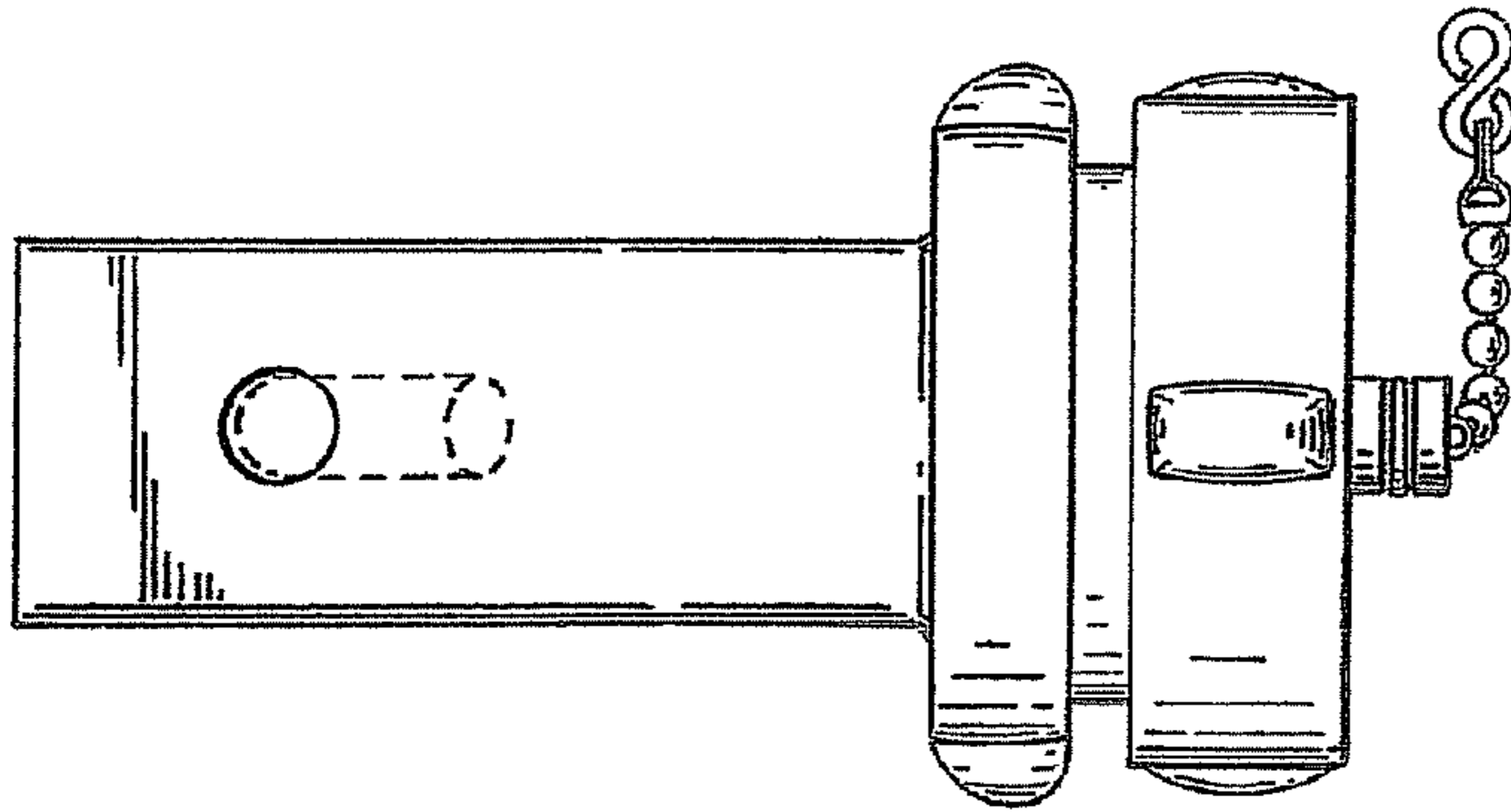
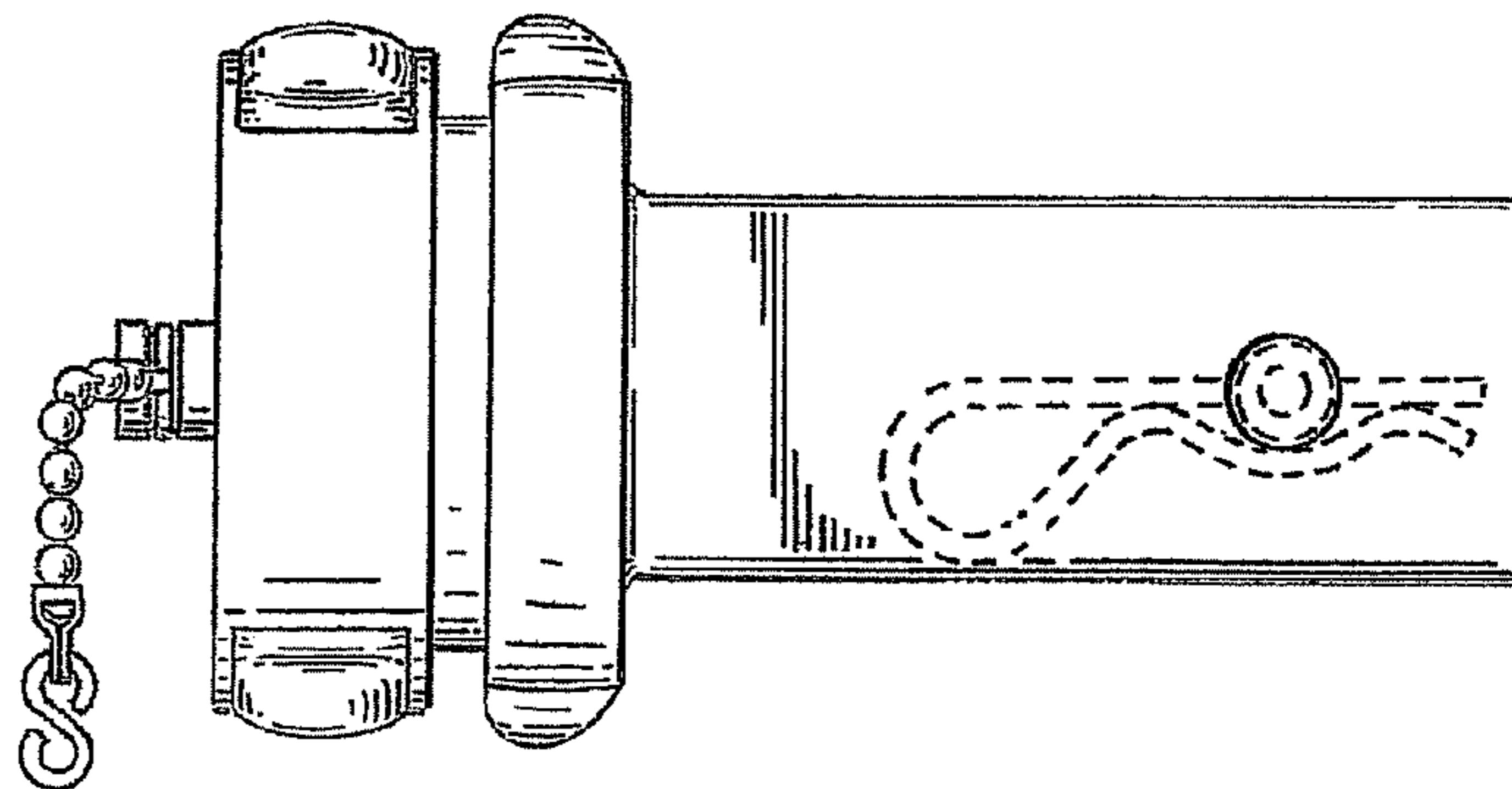


FIG. 3



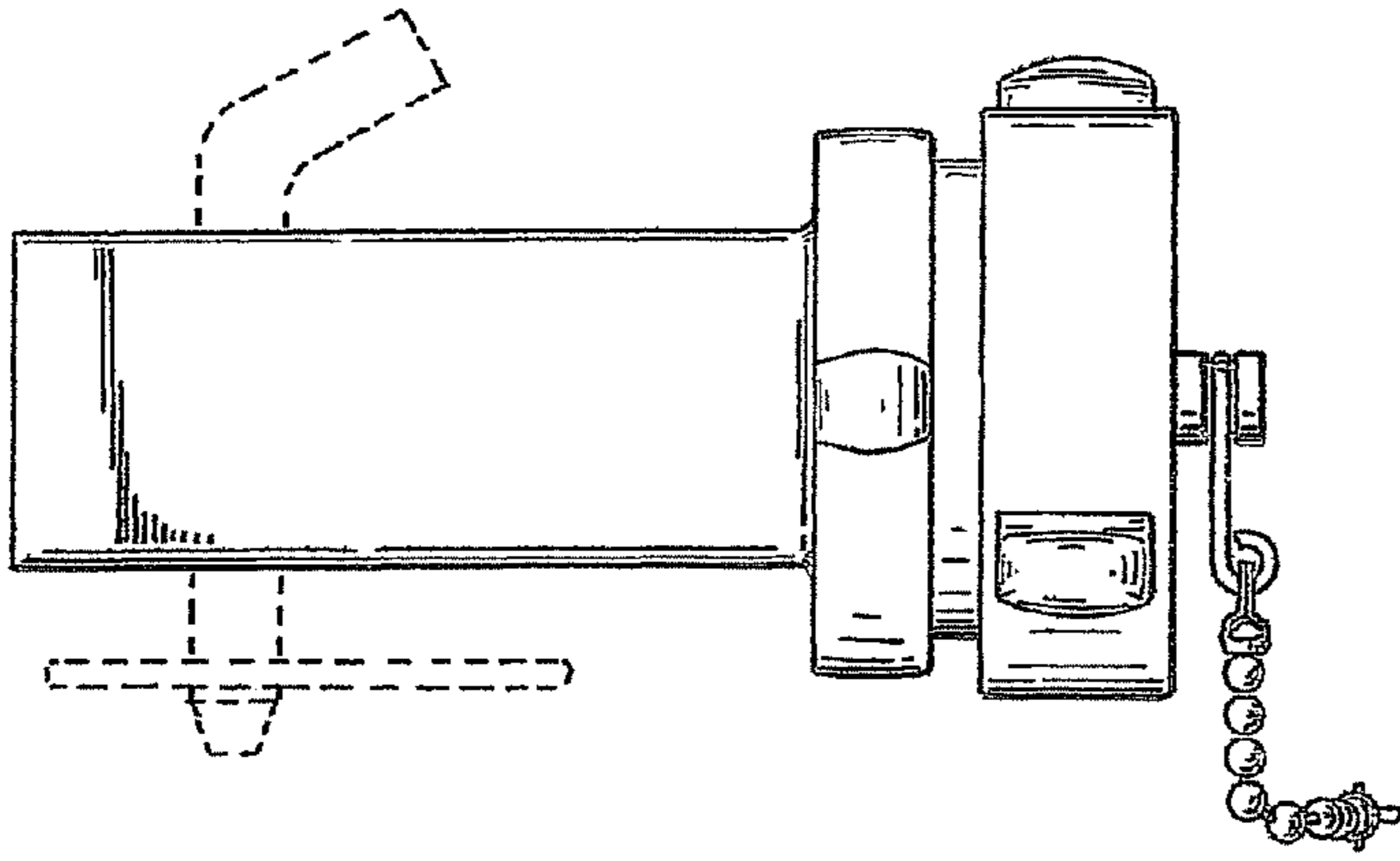


FIG. 4

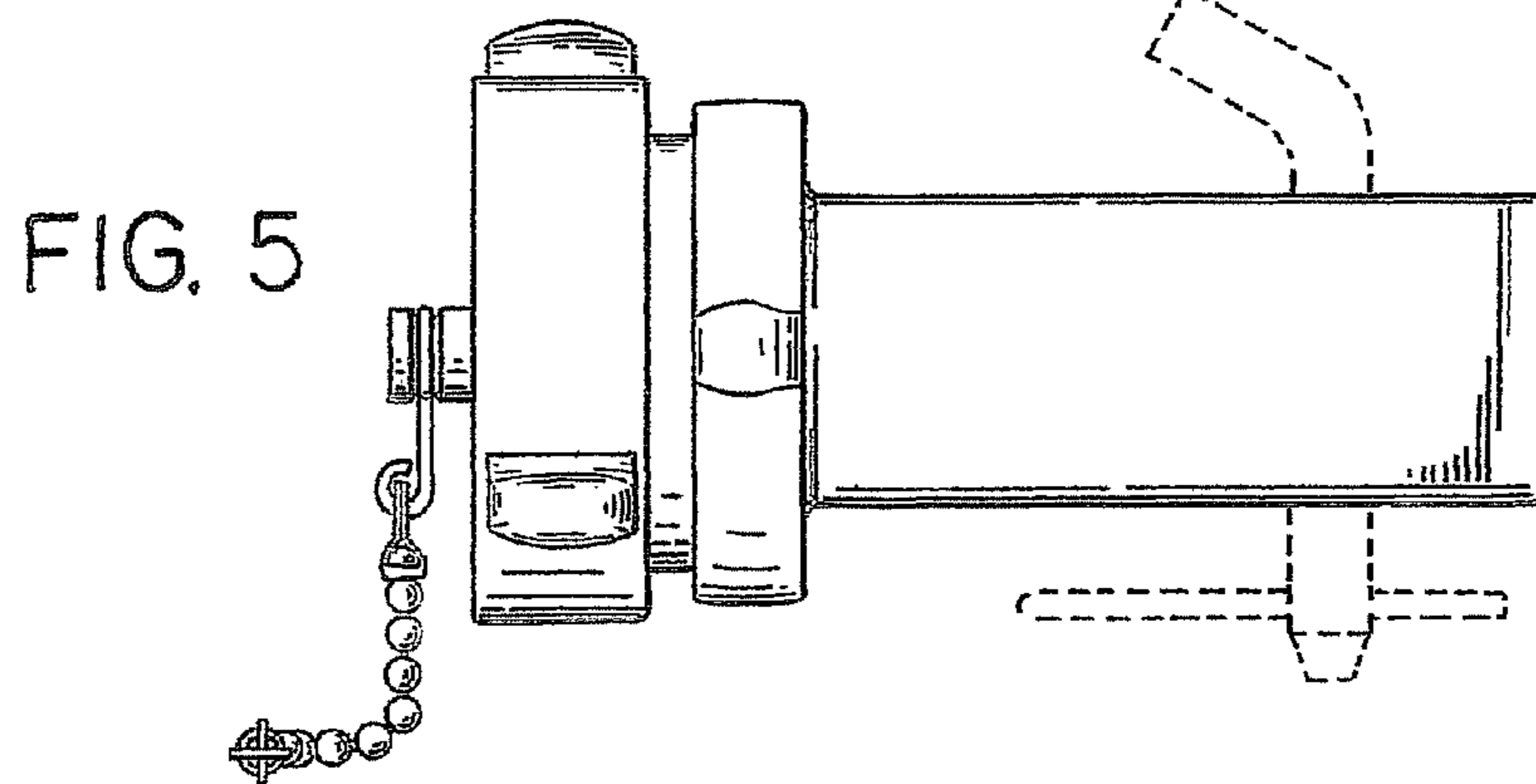


FIG. 5

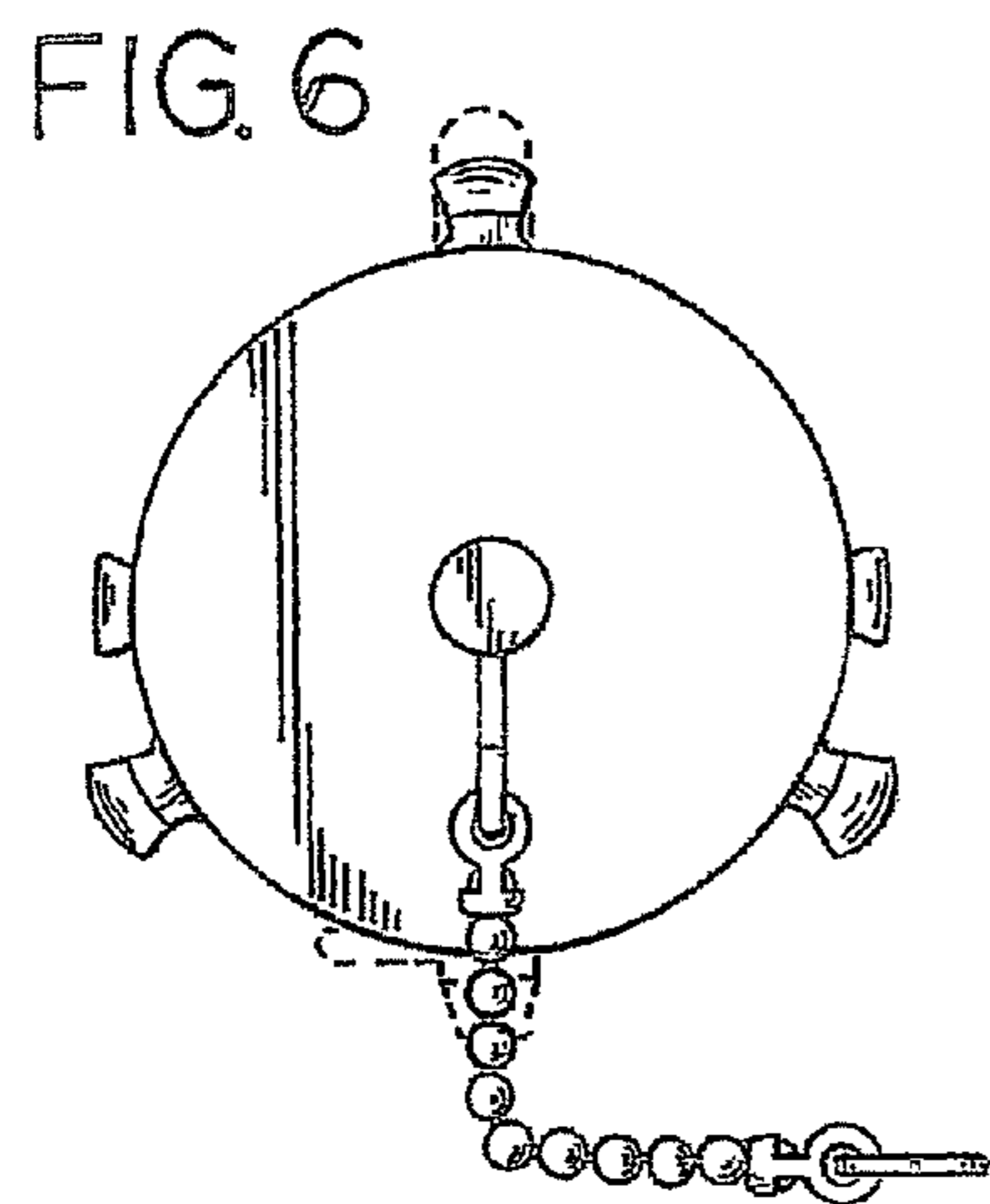


FIG. 6

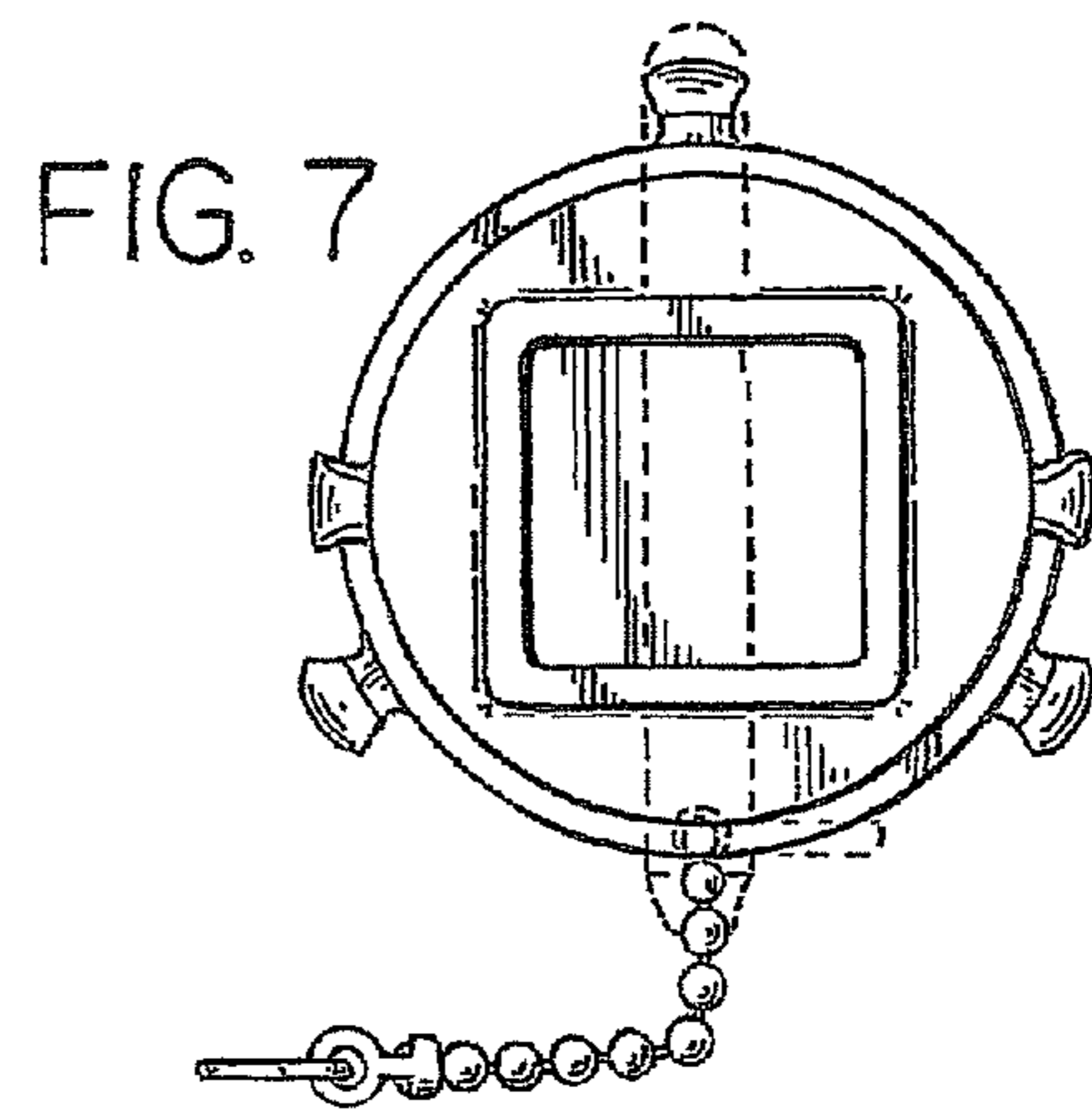


FIG. 7

FIG. 8

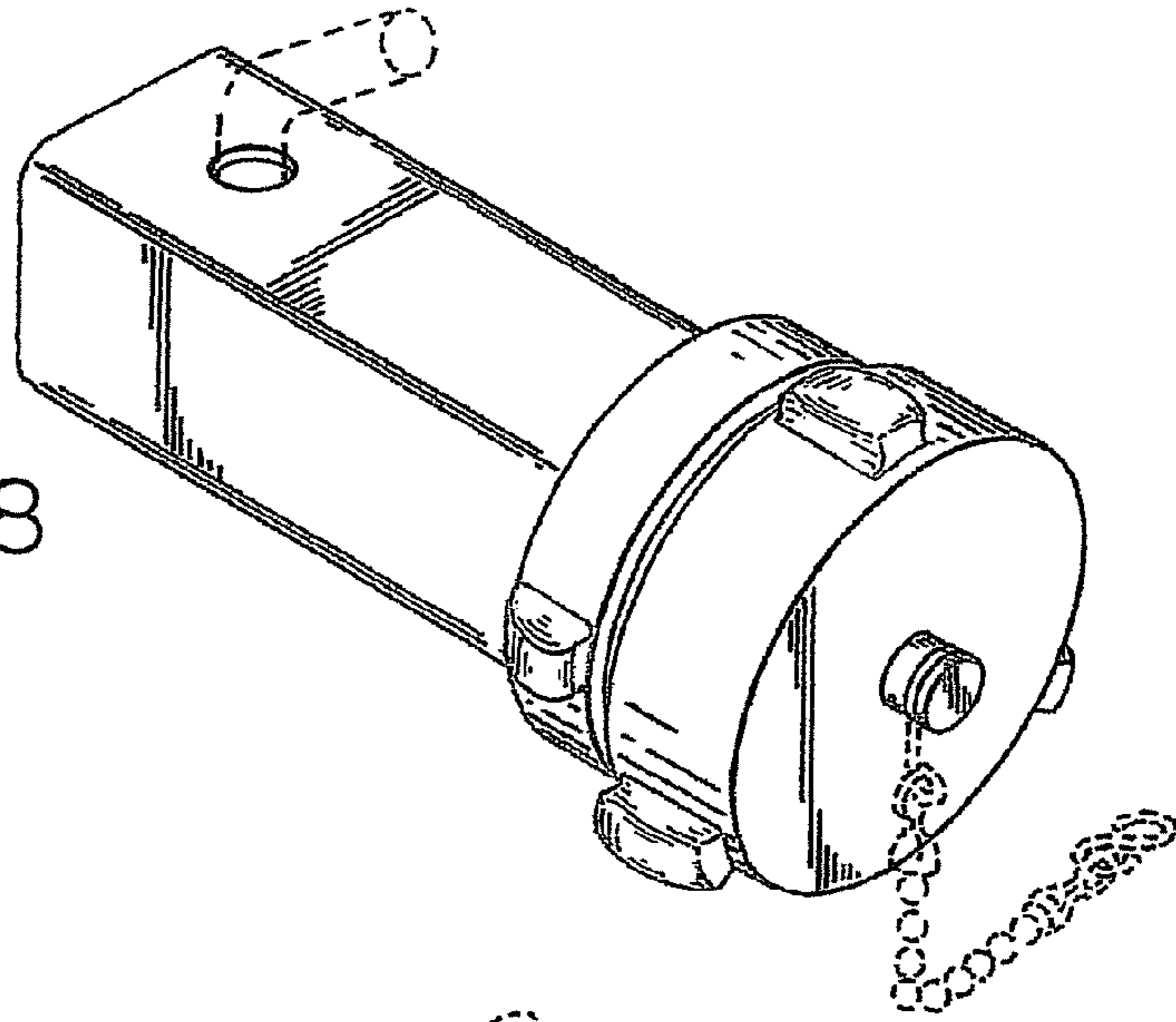


FIG. 9

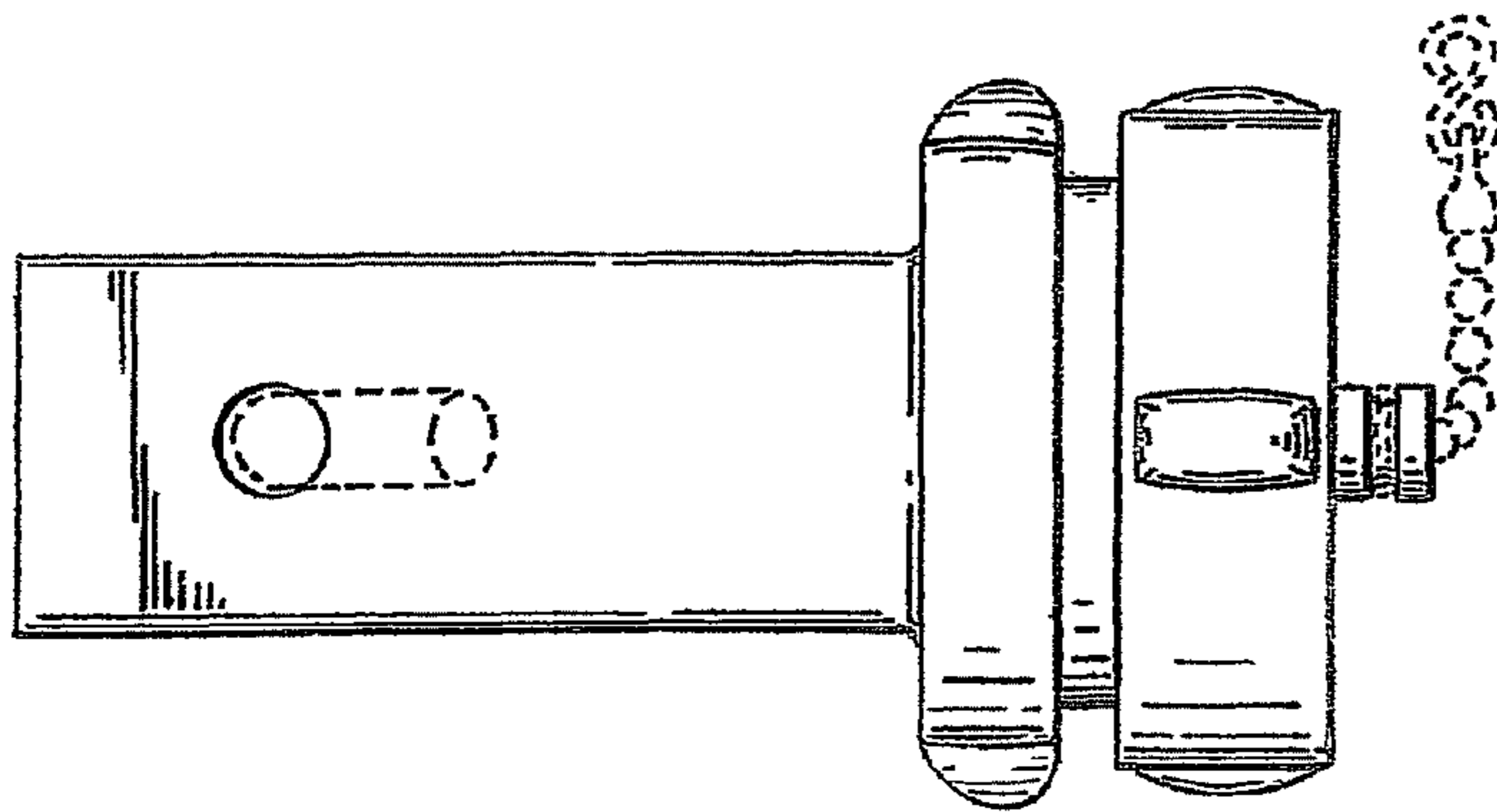
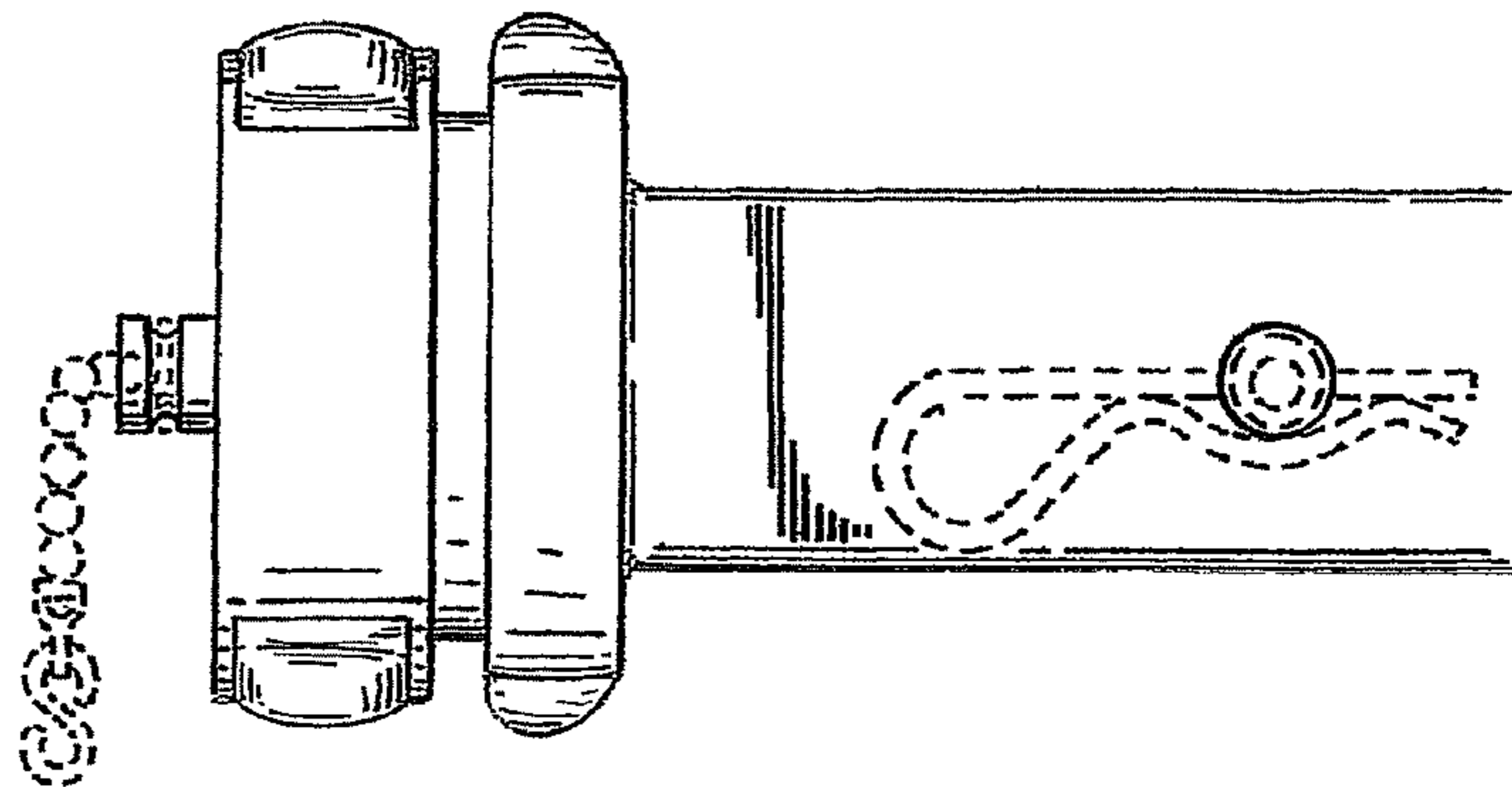


FIG. 10



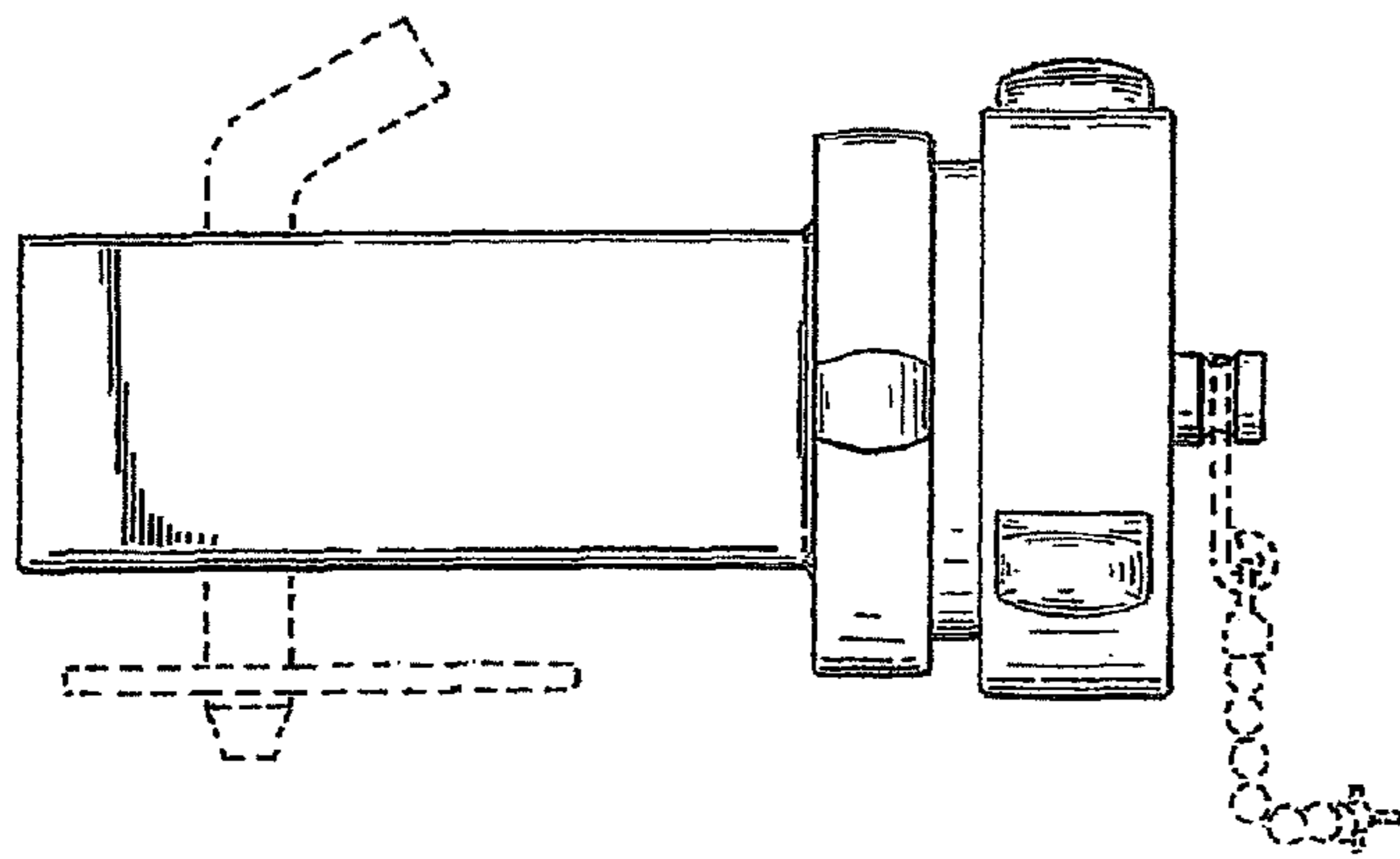


FIG. 11

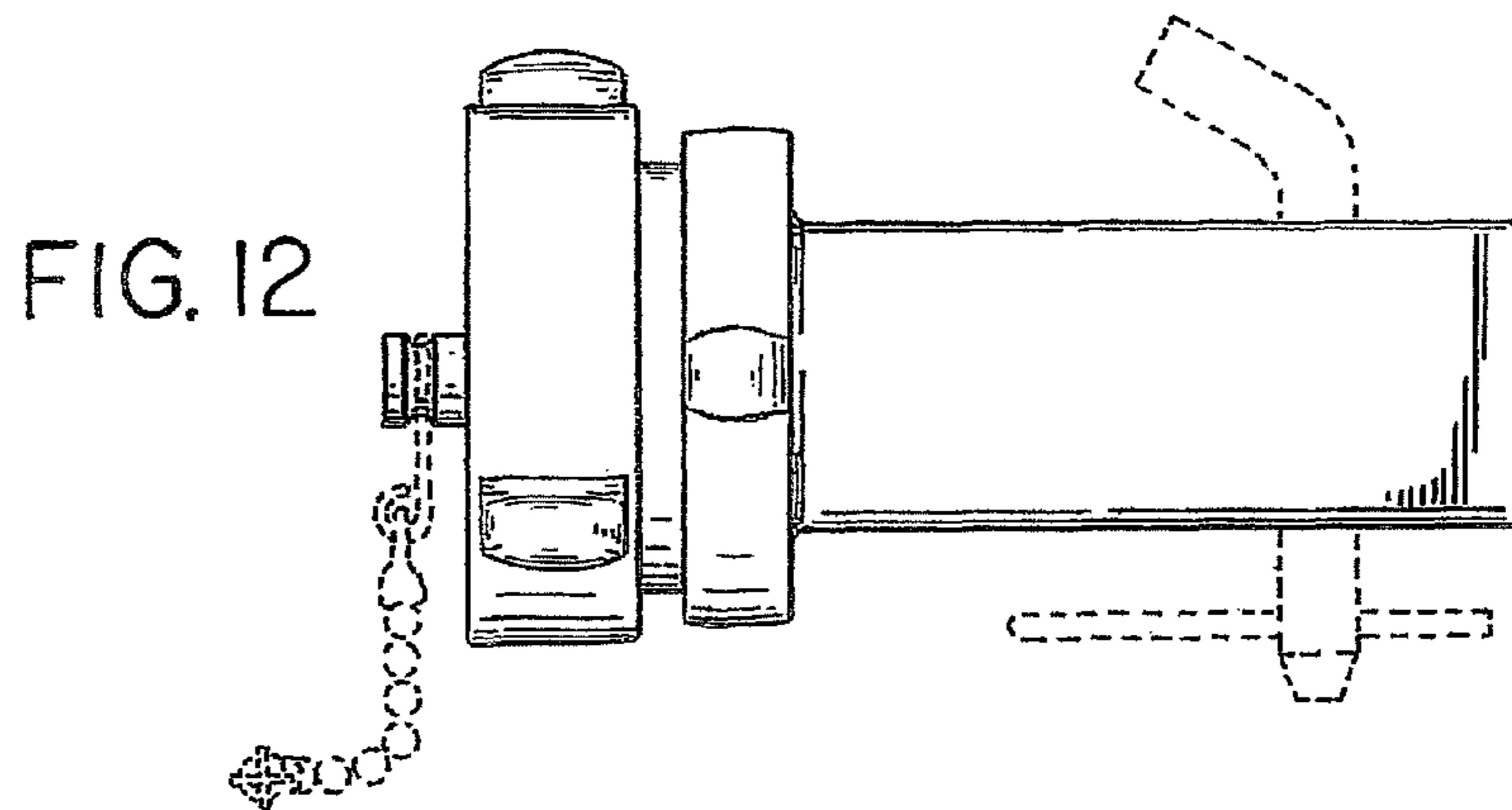


FIG. 12

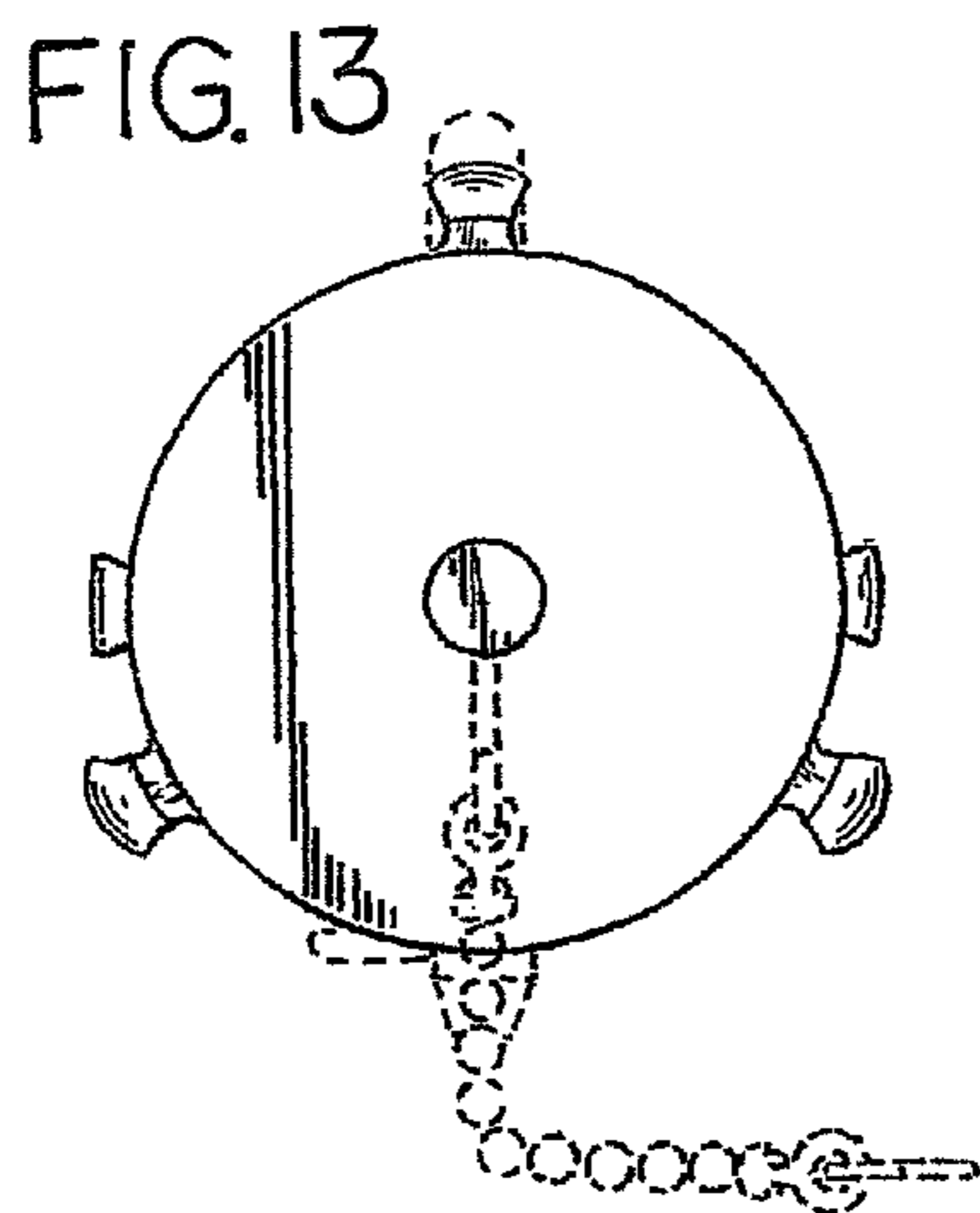


FIG. 13

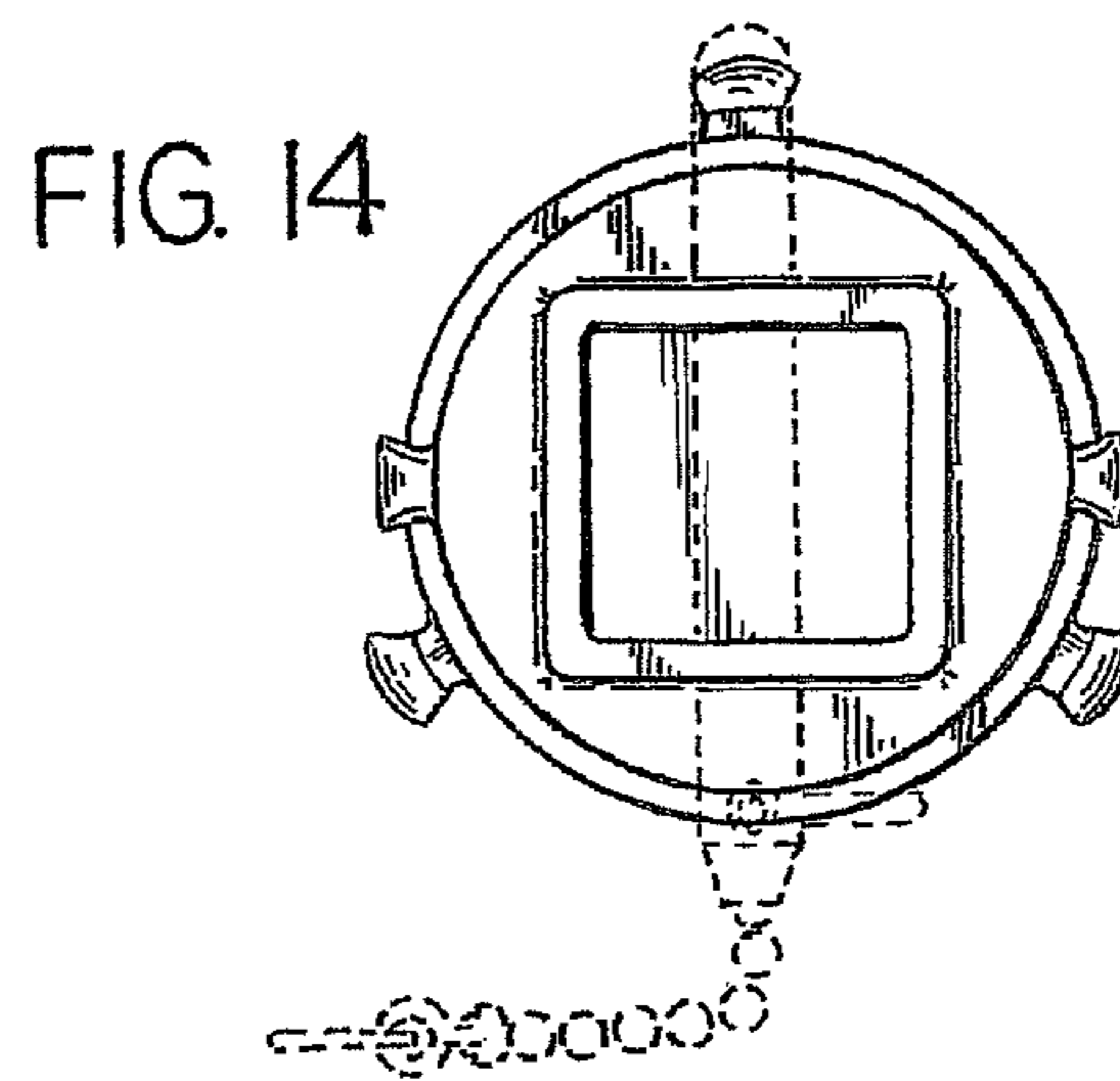


FIG. 14