

US00D662010S

(12) **United States Design Patent**  
**O'Doherty**

(10) **Patent No.:** **US D662,010 S**

(45) **Date of Patent:** **\*\* Jun. 19, 2012**

(54) **SNOW SLED**

(75) **Inventor:** **Kevin O'Doherty**, Hong Kong (HK)

(73) **Assignee:** **Stallion Sport Limited**, Hong Kong (HK)

(\*\*) **Term:** **14 Years**

(21) **Appl. No.:** **29/409,940**

(22) **Filed:** **Dec. 30, 2011**

(51) **LOC (9) Cl.** ..... **12-14**

(52) **U.S. Cl.** ..... **D12/10**

(58) **Field of Classification Search** ..... D12/1,  
D12/110-113, 6-11, 128, 129, 130; D21/419-435,  
D21/766-767, 769, 760, 765, 764; 280/87.1,  
280/87.021, 87.041, 263, 288.1, 288.2, 200,  
280/210, 214, 29, 14.27, 14.28, 28.11, 603-607;  
180/180, 181, 65.1

See application file for complete search history.

(56) **References Cited**

**U.S. PATENT DOCUMENTS**

D202,362 S *	9/1965	Asai	.....	D12/10
D217,367 S *	4/1970	Ogata	.....	D12/10
3,900,208 A *	8/1975	Hjelmquist	.....	280/16
4,063,746 A *	12/1977	Hansen	.....	280/16

D252,505 S *	7/1979	Derkach et al.	.....	D12/9
D271,007 S *	10/1983	Skillius	.....	D12/10
D298,111 S *	10/1988	Kaptelin et al.	.....	D12/9
D311,358 S *	10/1990	Dallaire	.....	D12/10
D418,450 S *	1/2000	Katz	.....	D12/10
D493,748 S *	8/2004	Witte et al.	.....	D12/10
D647,427 S	10/2011	Pedersen et al.	.....	

\* cited by examiner

*Primary Examiner* — T. Chase Nelson

*Assistant Examiner* — Ania Aman

(74) *Attorney, Agent, or Firm* — Raymond Sun

(57) **CLAIM**

The ornamental design for a snow sled, as shown and described.

**DESCRIPTION**

FIG. 1 is a perspective view of a snow sled showing my new design.

FIG. 2 is a front plan view thereof;

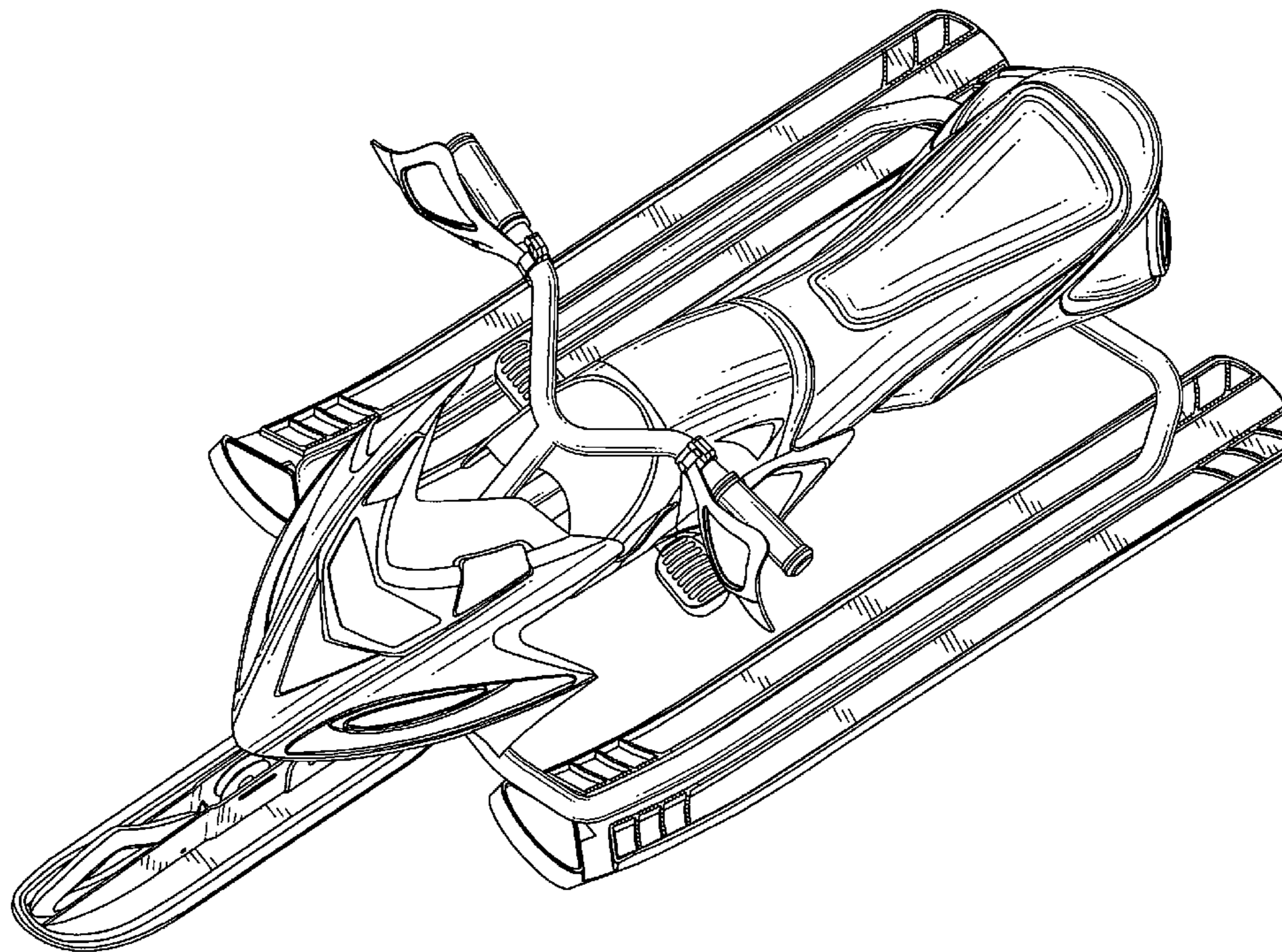
FIG. 3 is a rear plan view thereof;

FIG. 4 is a right side plan view thereof; the left side being identical; and,

FIG. 5 is a top plan view thereof.

In the drawings, the broken lines depict unclaimed subject matter only and form no part of the claimed design.

**1 Claim, 5 Drawing Sheets**



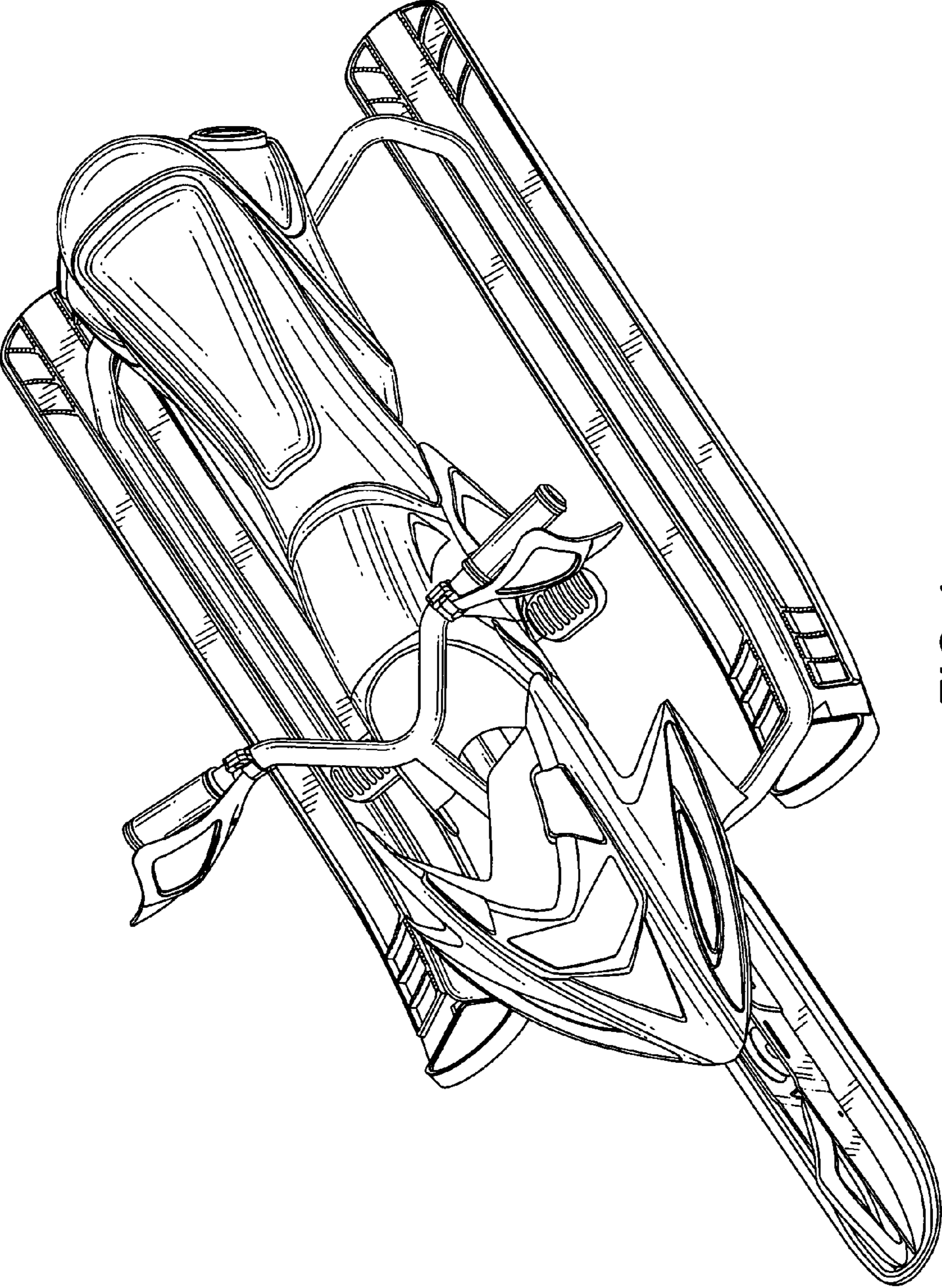


FIG.1

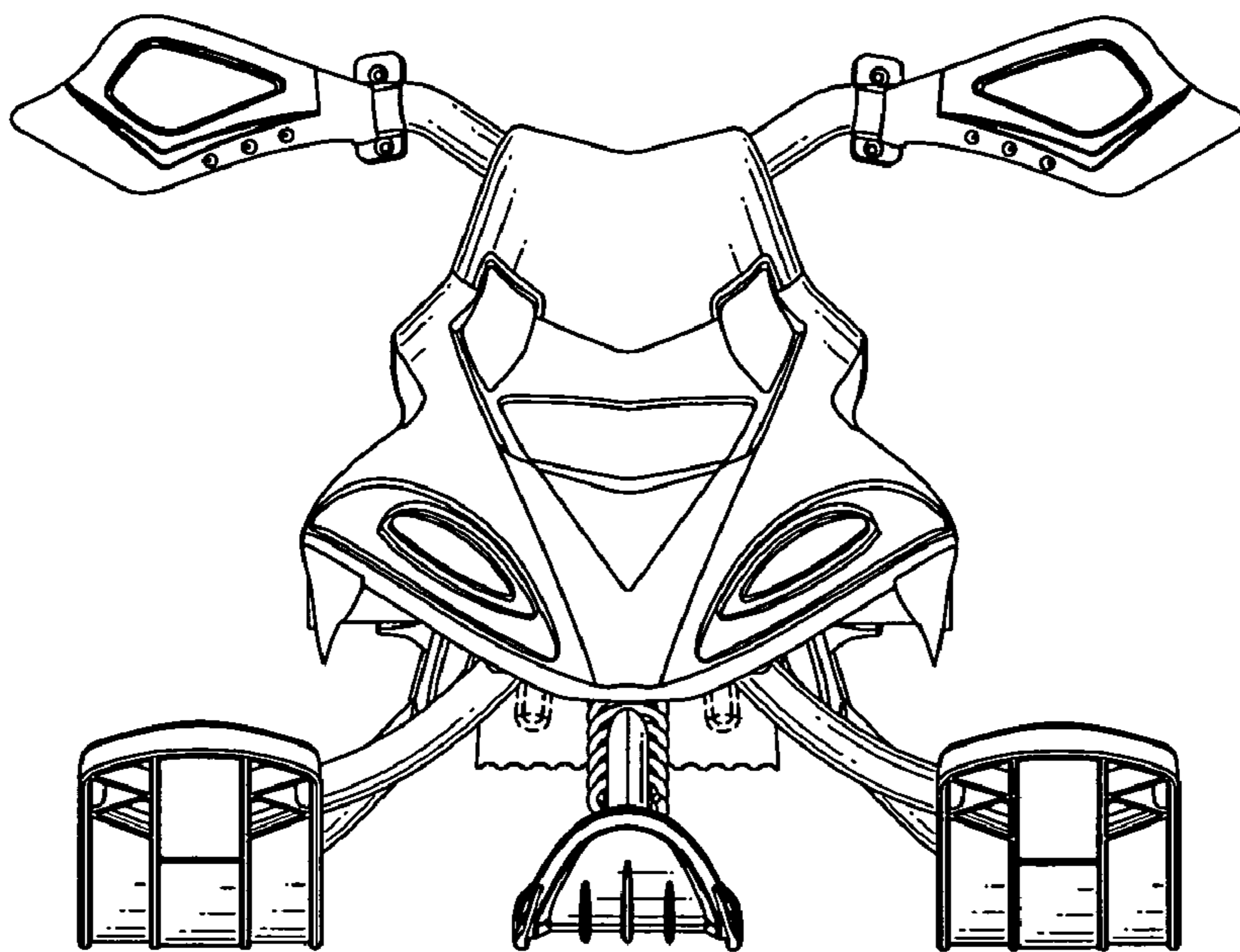


FIG. 2

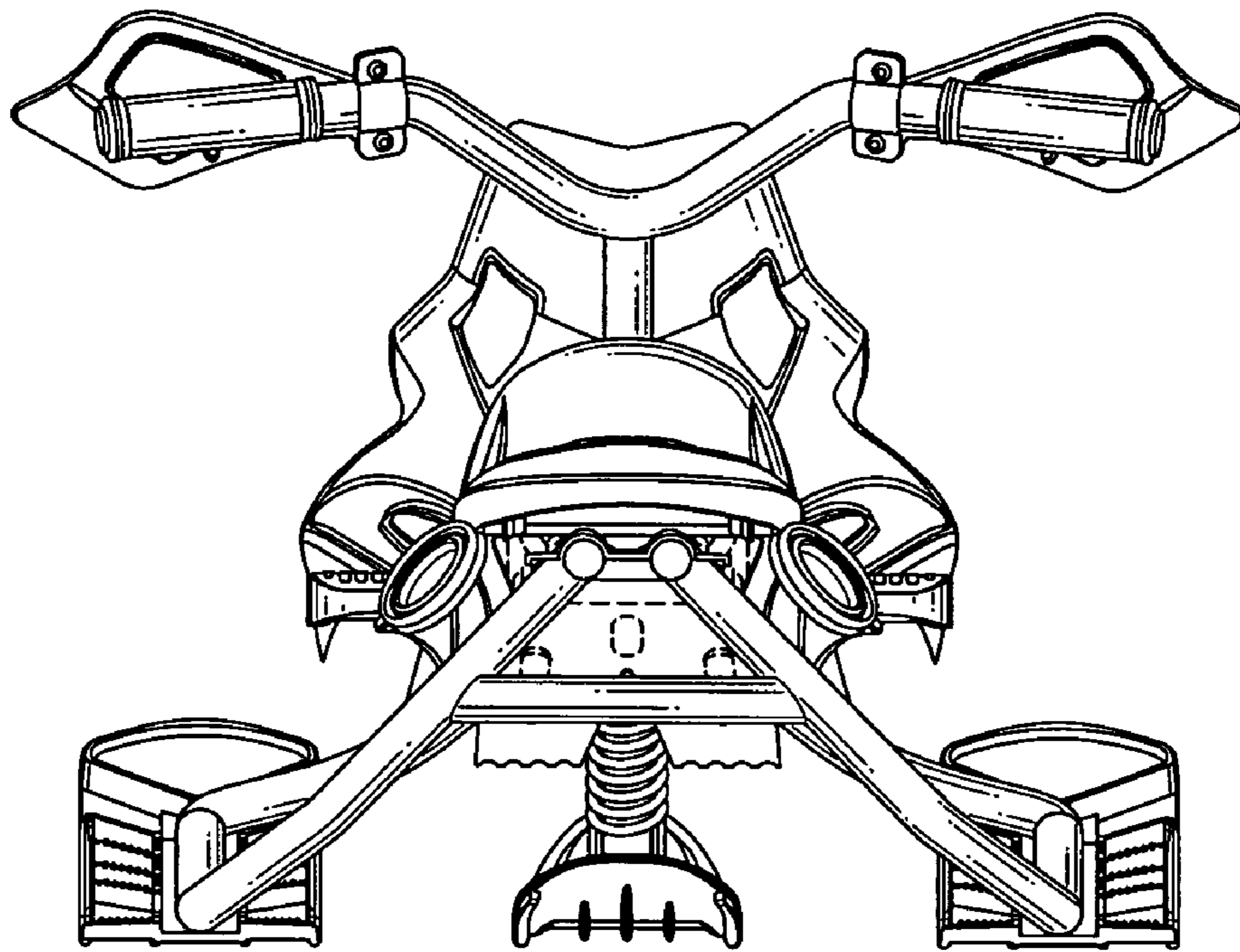


FIG. 3

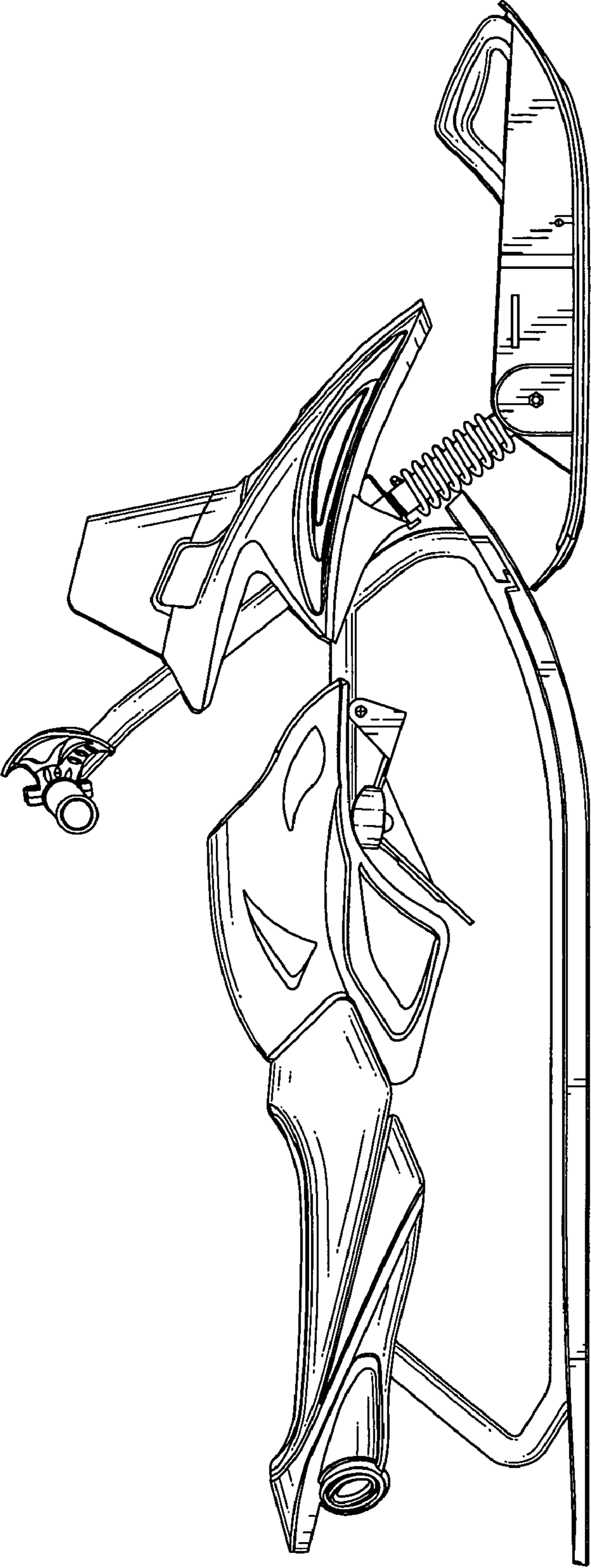


FIG.4

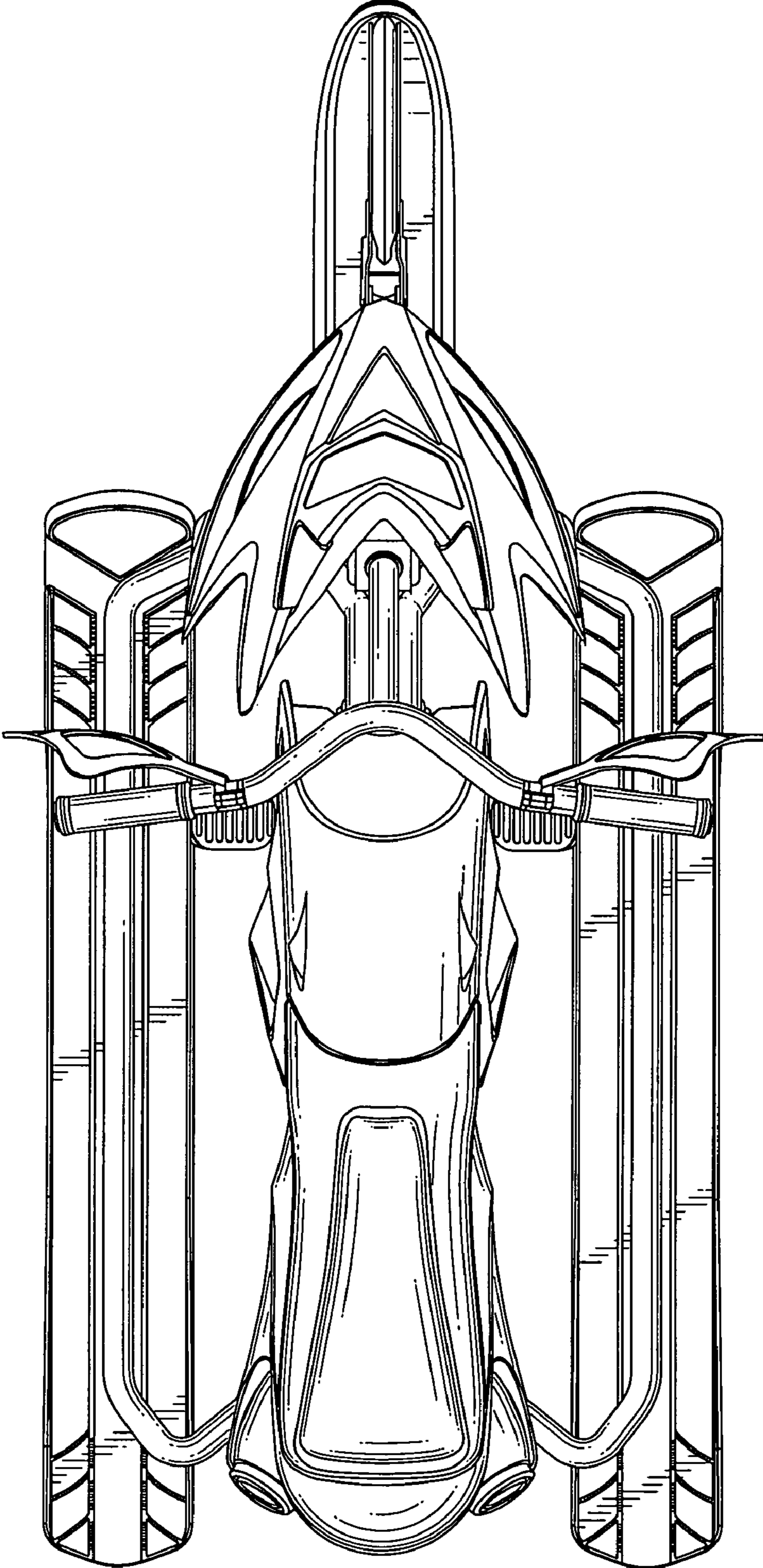


FIG. 5