

US00D662007S

(12) **United States Design Patent**
Dickman et al.

(10) **Patent No.:** **US D662,007 S**
(45) **Date of Patent:** **** Jun. 19, 2012**

(54) **GRILL SHAPED PLANT CONTAINER**

(76) Inventors: **Mitchell W. Dickman**, Royersford, PA (US); **Stephen E. Grimmer**, Delran, NJ (US)

(**) Term: **14 Years**

(21) Appl. No.: **29/407,026**

(22) Filed: **Nov. 22, 2011**

(51) **LOC (9) Cl.** **11-02**

(52) **U.S. Cl.** **D11/149; D7/332**

(58) **Field of Classification Search** D6/403-405, D6/556-558; D7/332-337; D8/1; D11/143-156, D11/164; D19/77, 80, 81, 84; D25/100; D26/9-11, 16, 19; D34/1, 2, 4-6; D99/5, D99/19; 47/17, 32.4, 32.5, 32.7, 33.39, 41.01, 47/41.1, 41.11-41.15, 44-47, 63, 65.5, 65.9, 47/66.1, 66.2, 66.6, 66.7, 67-71

See application file for complete search history.

(56) **References Cited**

U.S. PATENT DOCUMENTS

D119,982 S *	4/1940	Munz	D11/145
D209,491 S *	12/1967	Kostial	D7/332
D220,072 S *	3/1971	Hoff	D7/332
3,650,384 A *	3/1972	Pegg	211/1
D289,355 S *	4/1987	Paulides	D11/145
D304,913 S *	12/1989	Cassells et al.	D11/145
D375,347 S *	11/1996	Whalen et al.	D7/332
D435,753 S *	1/2001	Pai	D7/332
D436,492 S *	1/2001	Chou	D7/332
D450,549 S *	11/2001	Burt	D8/1

D524,091 S *	7/2006	Lai	D7/332
D566,985 S *	4/2008	Hana	D6/403
D644,074 S *	8/2011	Franchini	D8/1

* cited by examiner

Primary Examiner — Garth Rademaker

(74) *Attorney, Agent, or Firm* — Cozen O'Connor

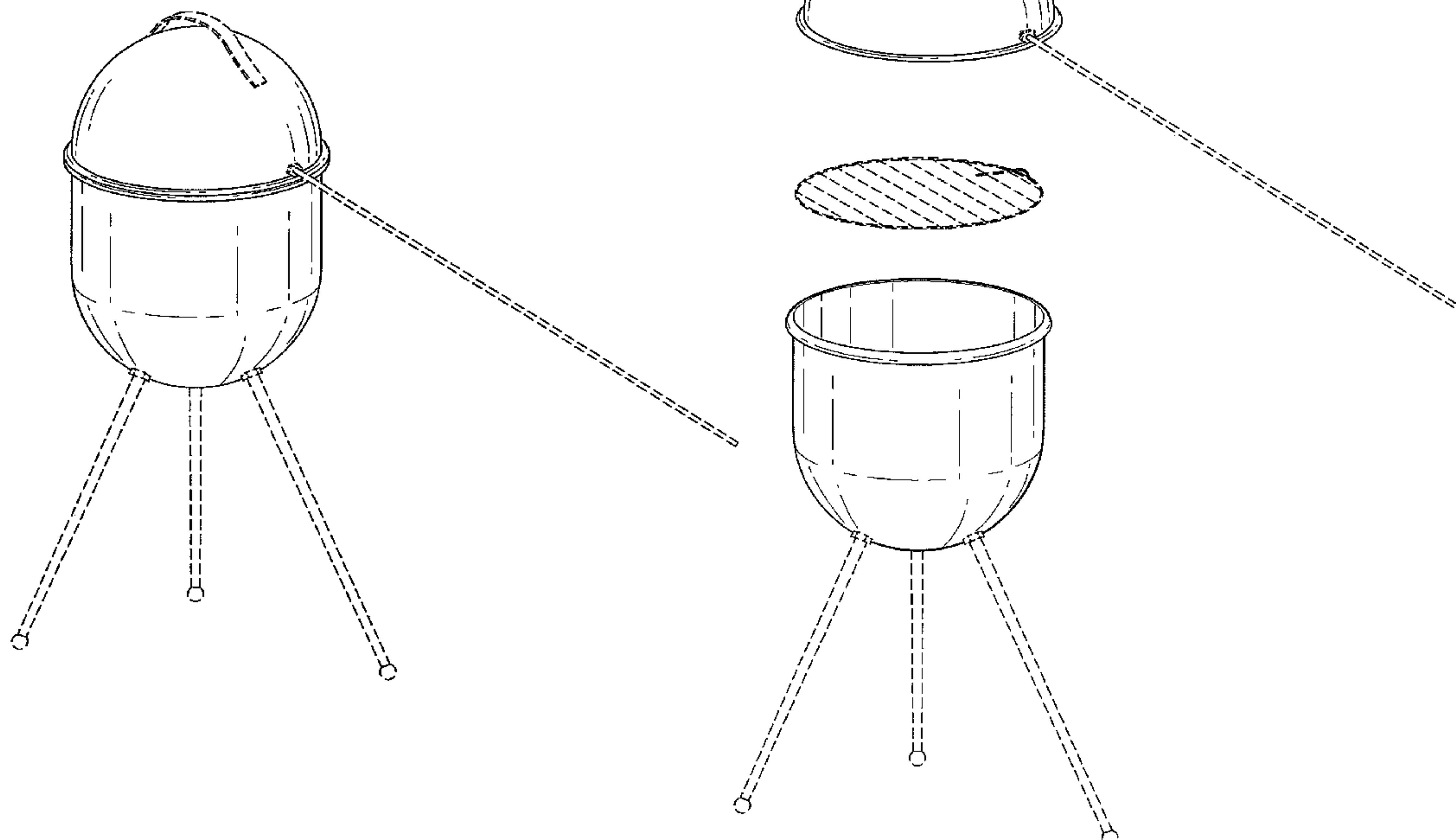
(57) **CLAIM**

We claim the ornamental design for a grill shaped plant container, as shown and described.

DESCRIPTION

FIG. 1 is a perspective view of a grill shaped plant container embodying the design of the present invention;
 FIG. 2 is a top view of the grill shaped plant container of FIG. 1;
 FIG. 3 is a left side elevational view of the grill shaped plant container of FIG. 1;
 FIG. 4 is a right side elevational view of the grill shaped plant container of FIG. 1;
 FIG. 5 is a front end elevational view of the grill shaped plant container of FIG. 1;
 FIG. 6 is a rear elevational view of the grill shaped plant container of FIG. 1;
 FIG. 7 is a bottom plan view of the grill shaped plant container of FIG. 1; and,
 FIG. 8 is an exploded perspective view of the grill shaped plant container of FIG. 1, wherein the grill cover is removed from the body of the container.
 The broken lines showing of environment are for illustrative purposes only and form no part of the claimed design.

1 Claim, 4 Drawing Sheets



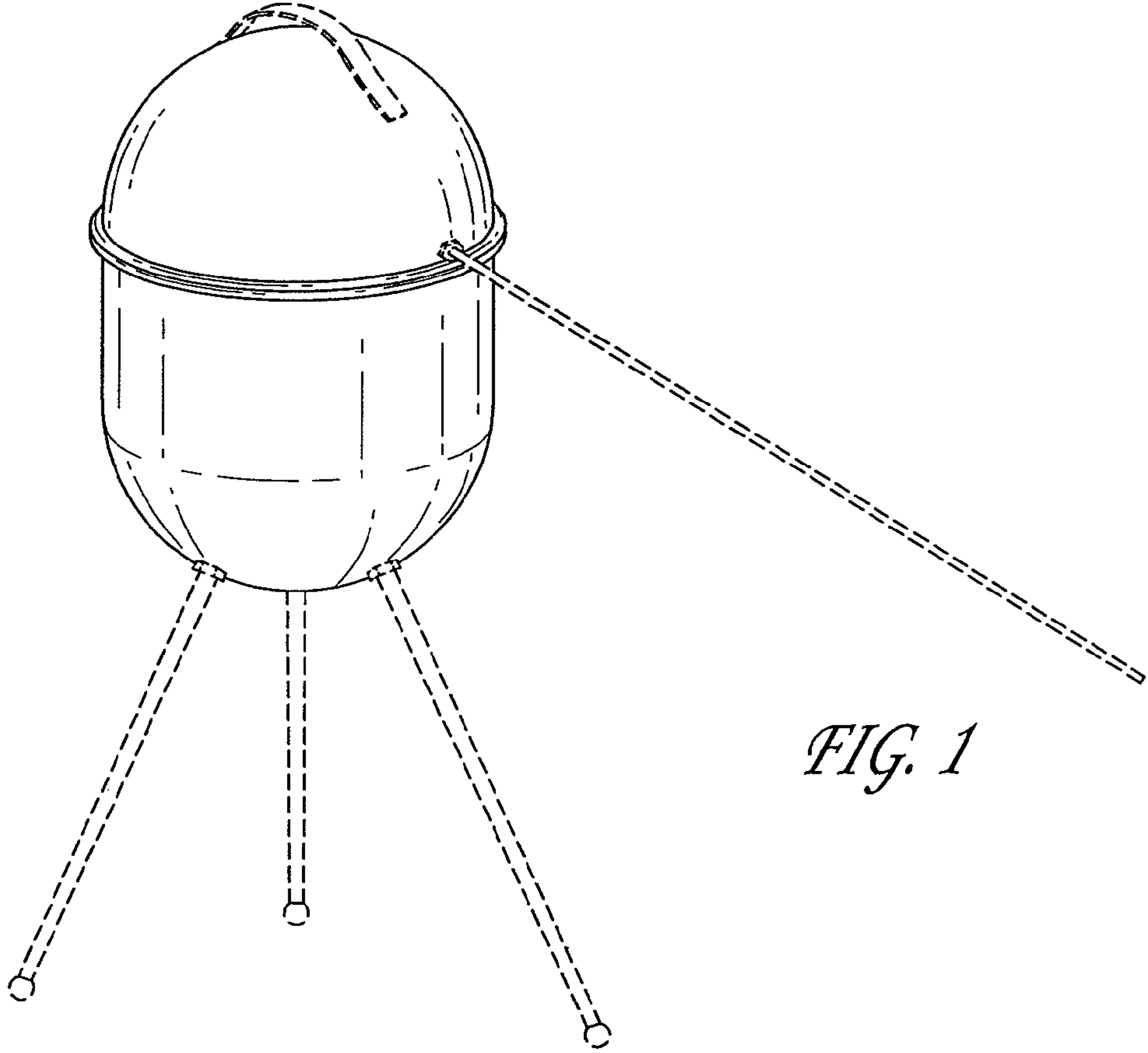


FIG. 1

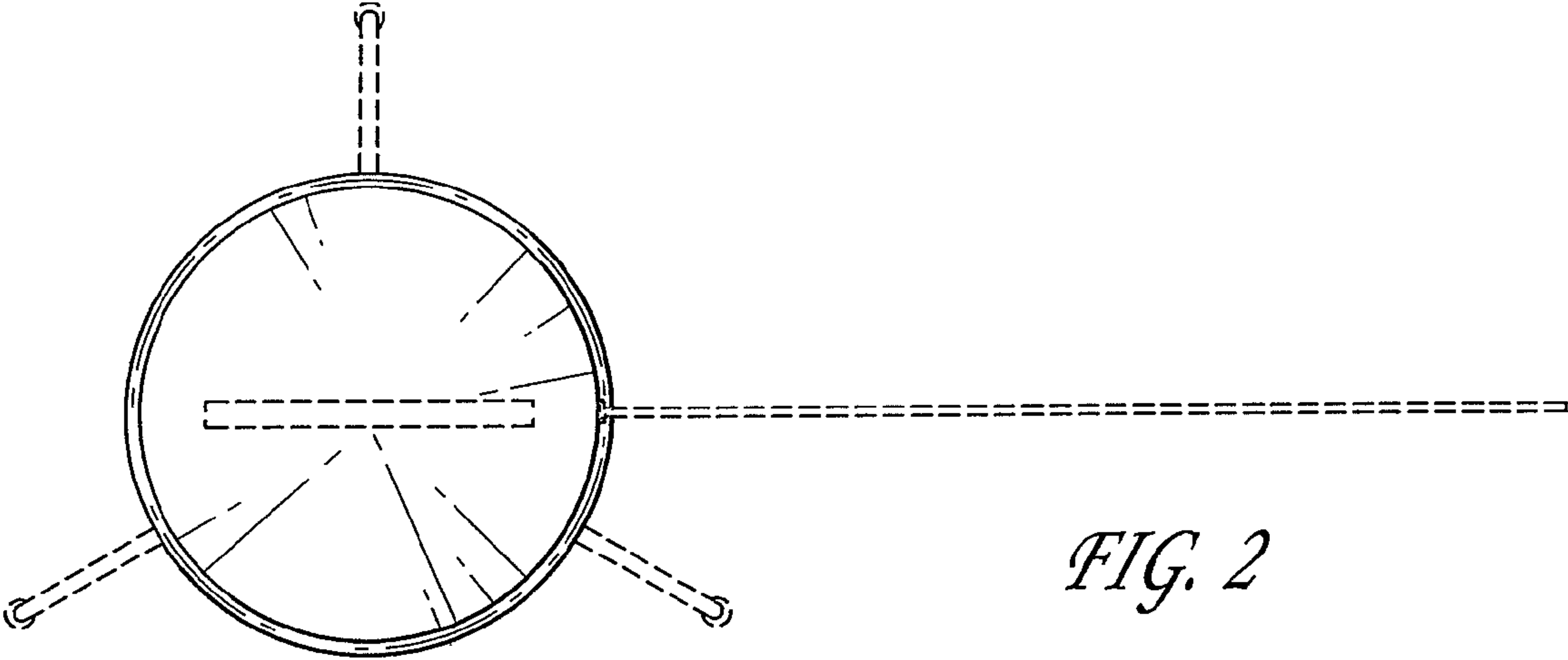


FIG. 2

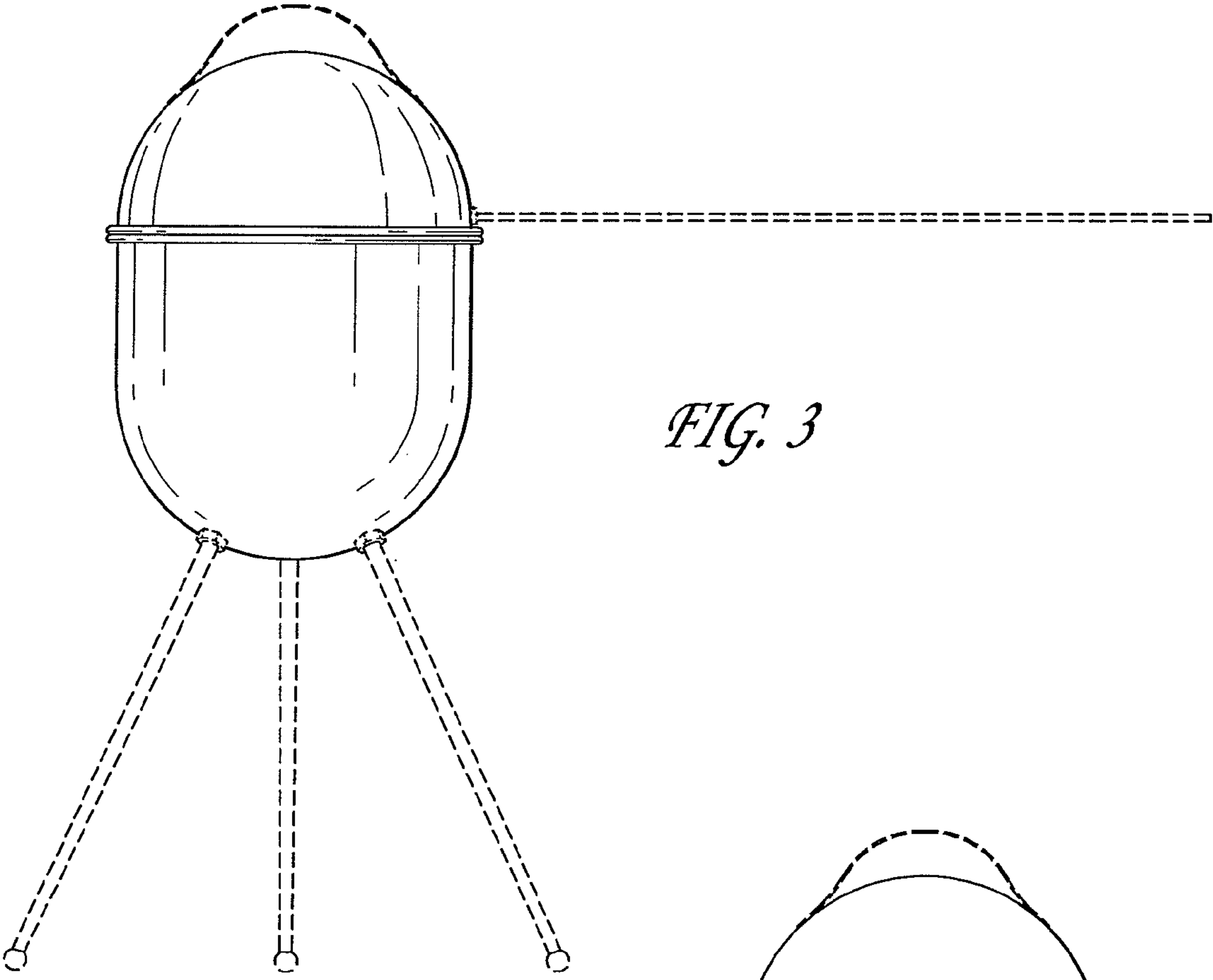


FIG. 3

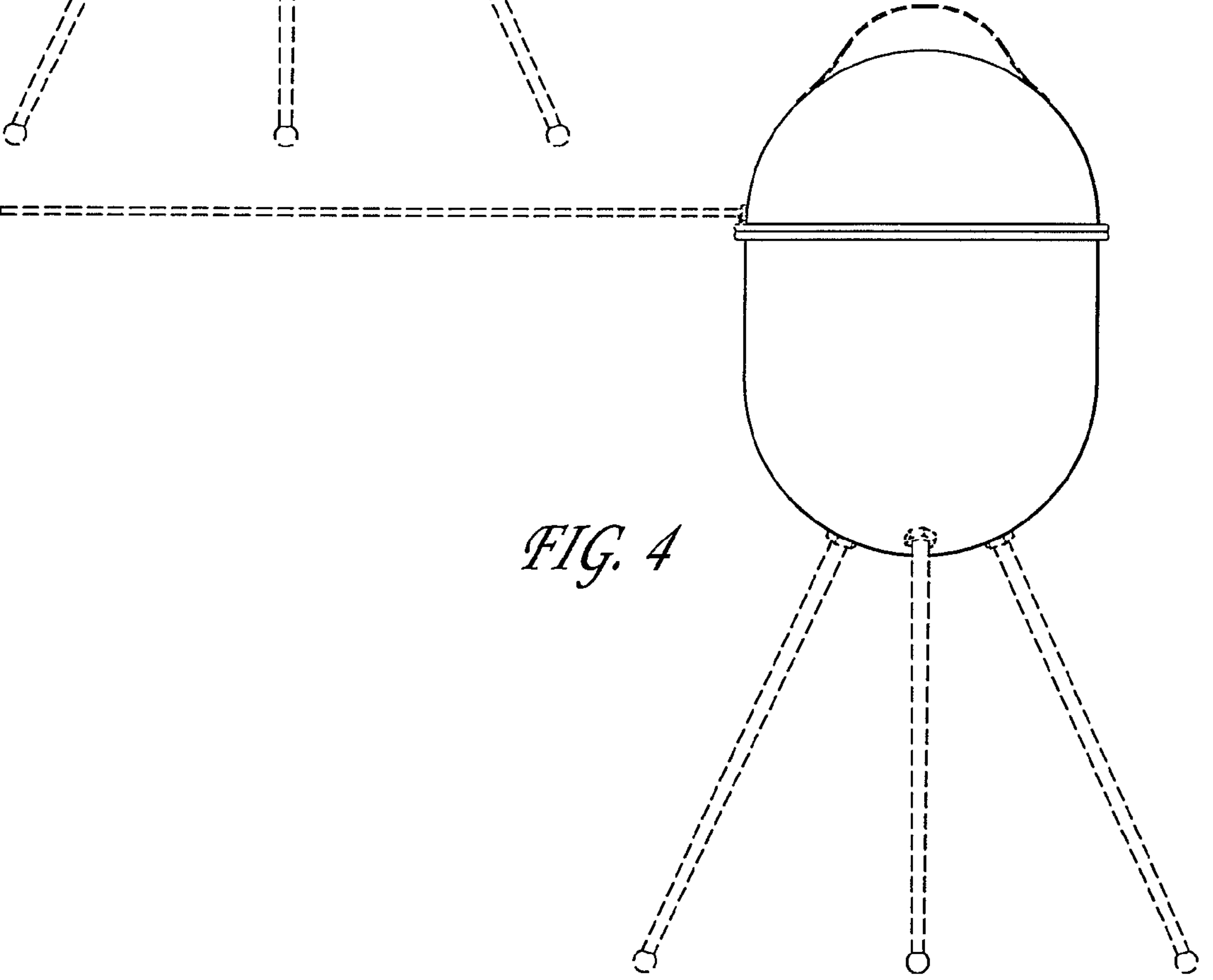


FIG. 4

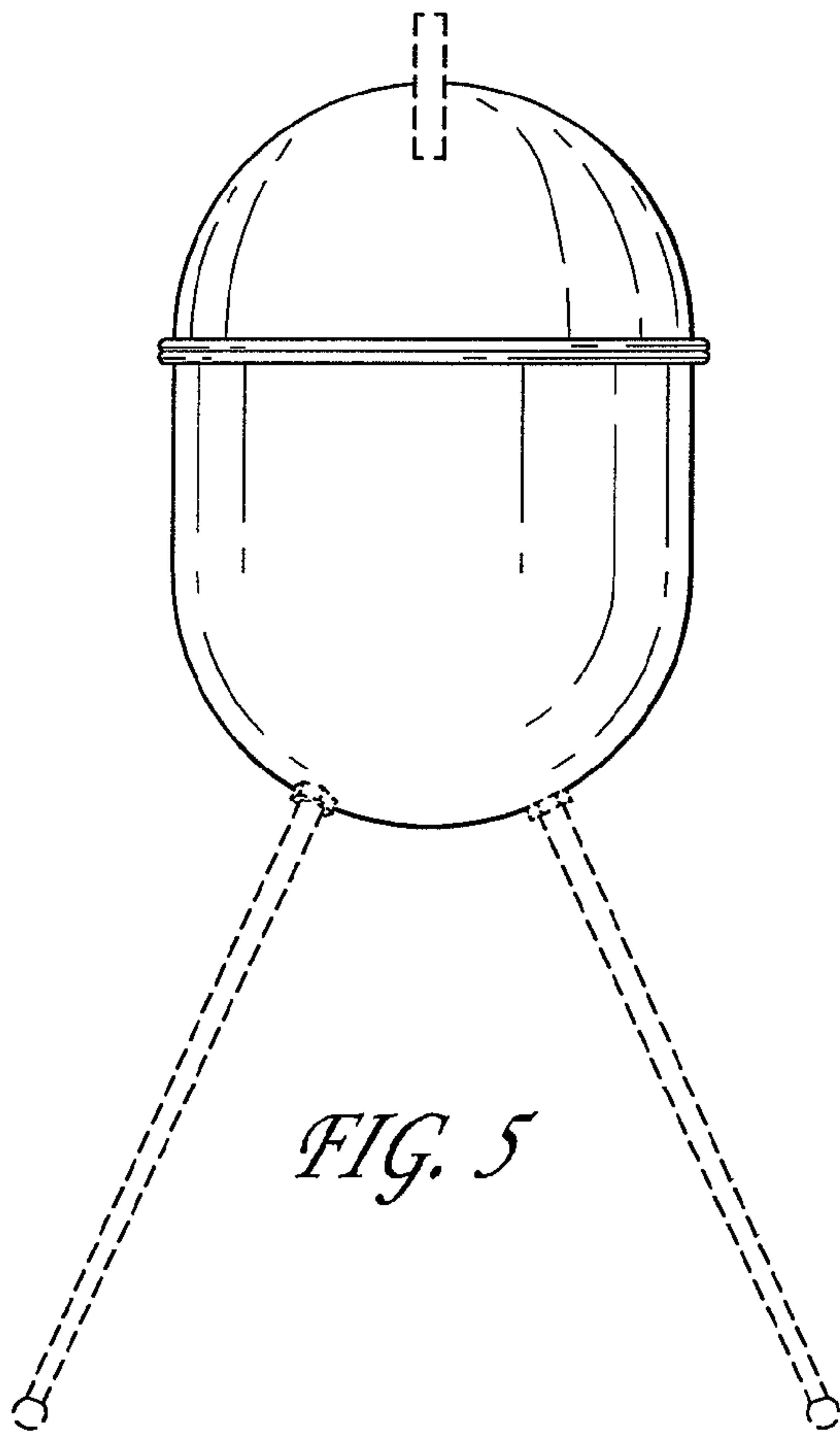


FIG. 5

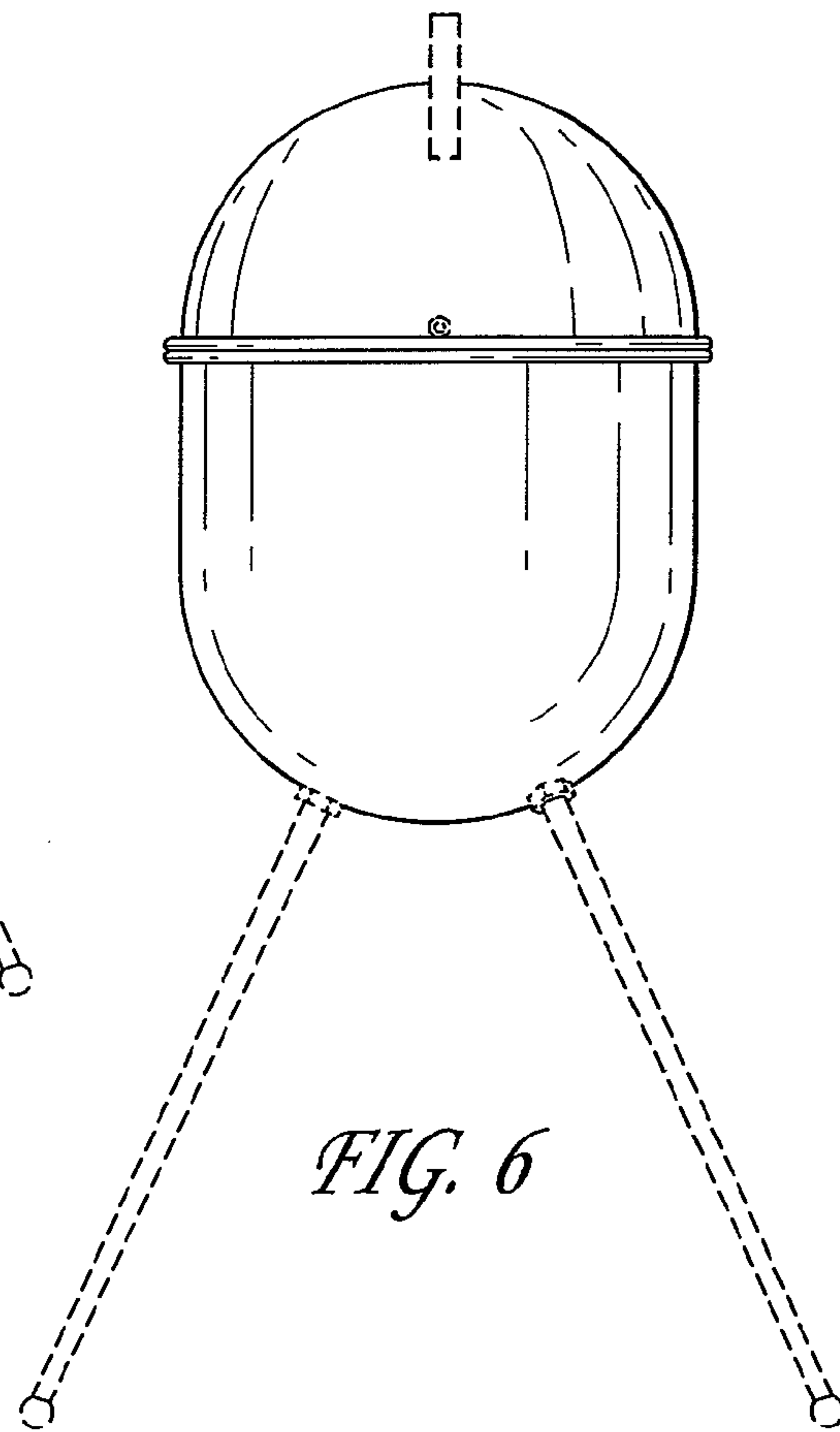


FIG. 6

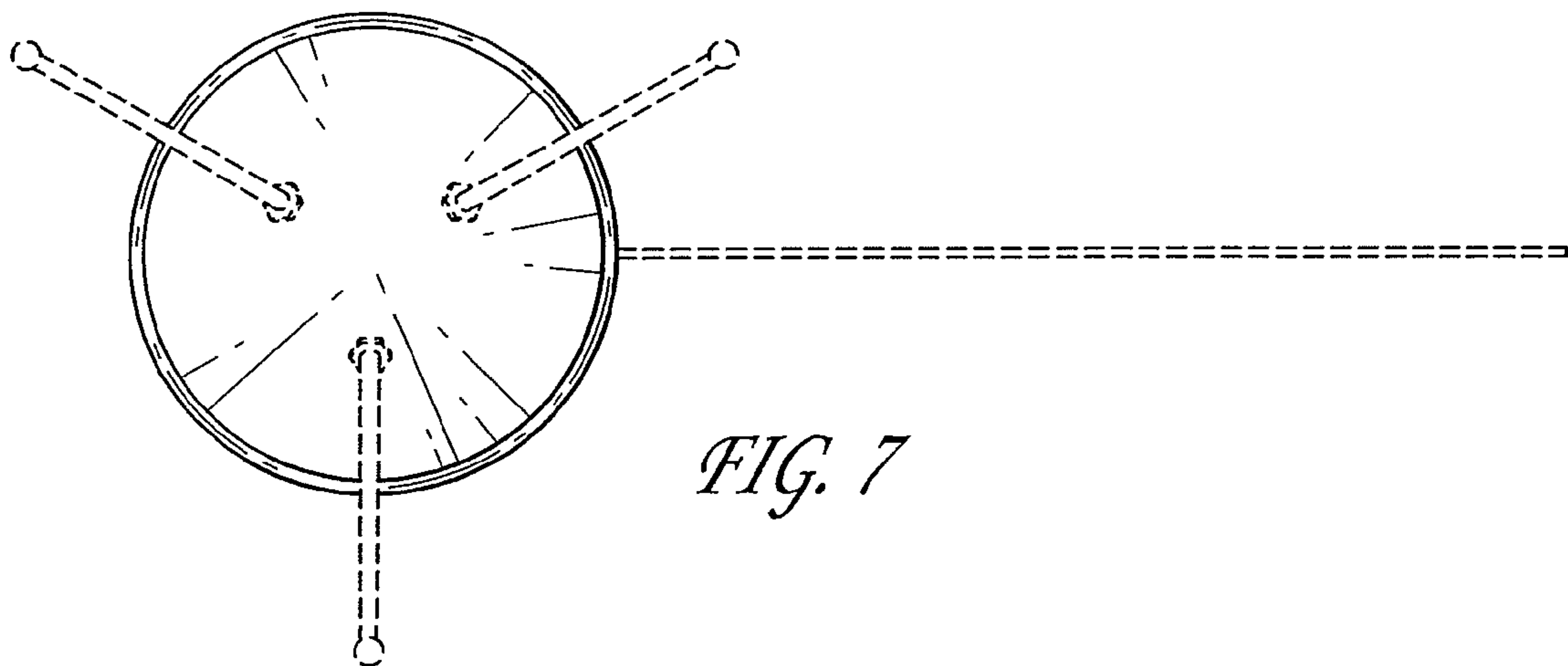


FIG. 7

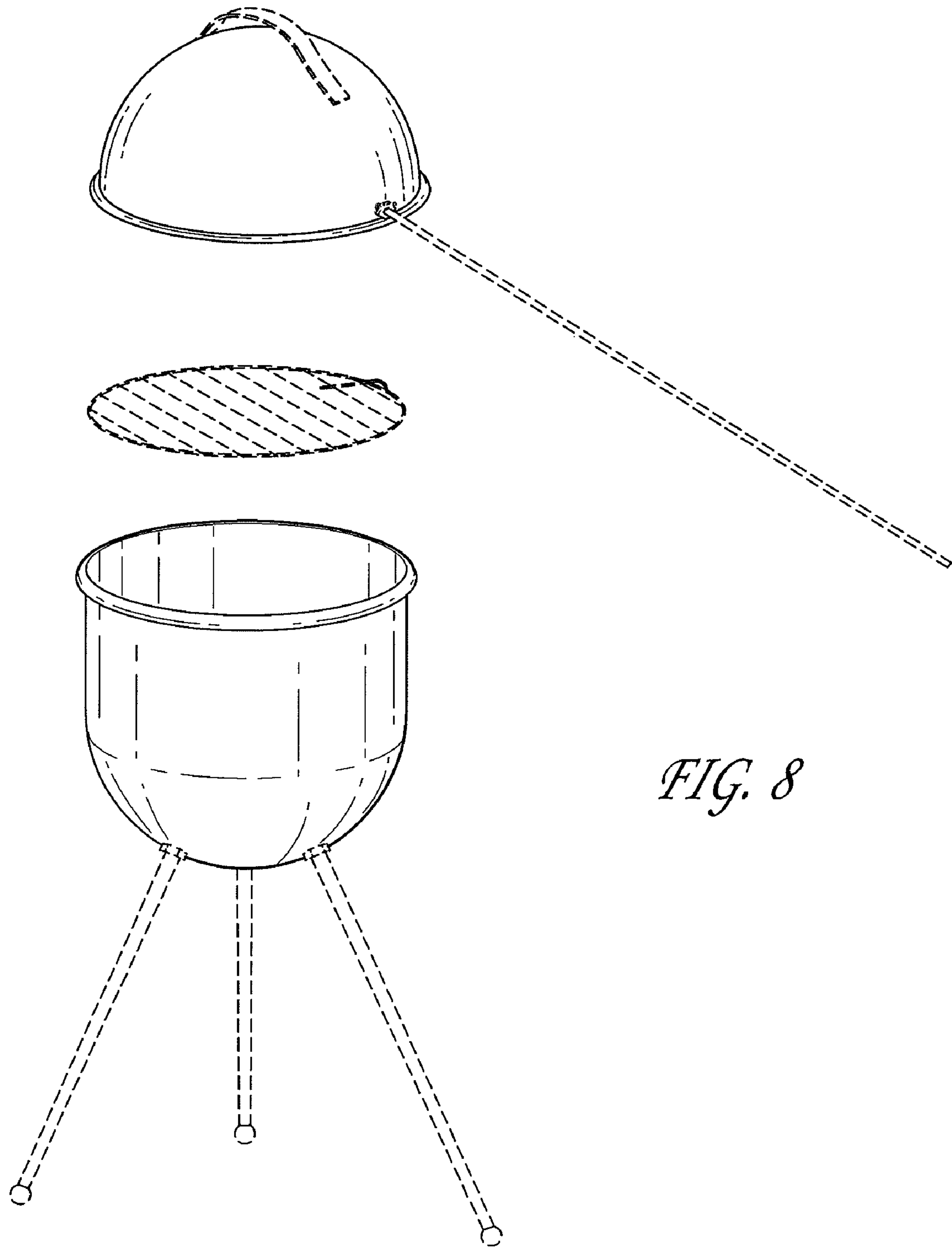


FIG. 8